



US00D840935S

(12) **United States Design Patent**
Cai

(10) **Patent No.:** **US D840,935 S**

(45) **Date of Patent:** **** Feb. 19, 2019**

(54) **DUAL MODE CONNECTOR**

(71) Applicant: **Yong-Yue Cai, Nin-Bo (CN)**

(72) Inventor: **Yong-Yue Cai, Nin-Bo (CN)**

(**) Term: **15 Years**

(21) Appl. No.: **29/639,510**

(22) Filed: **Mar. 7, 2018**

(51) **LOC (11) Cl.** **13-03**

(52) **U.S. Cl.**

USPC **D13/133; D13/147**

(58) **Field of Classification Search**

USPC D13/118, 123, 133, 146, 147, 149, 154,
D13/173, 184, 199; D14/433, 435.1,
D14/480.1, 483

CPC H01R 12/00; H01R 13/40; H01R 13/627;
H01R 13/642; H01R 13/648; H01R
13/658; H01R 13/6581; H01R 24/00;
H01R 24/28; H01R 24/60; H01R 24/62;
H01R 27/00

See application file for complete search history.

(56) **References Cited**

U.S. PATENT DOCUMENTS

D475,014 S * 5/2003 Kano D13/133
7,695,319 B1 * 4/2010 Yang H01R 13/6278
439/607.37
D638,365 S * 5/2011 Hsu D13/147
D680,959 S * 4/2013 Katayanagi D13/147
8,747,165 B2 * 6/2014 Kim H01R 24/60
439/607.53
D722,967 S * 2/2015 Yeh D13/147

9,136,636 B2 * 9/2015 Zhang H01R 43/24
D772,167 S * 11/2016 Tada D13/147
D808,341 S * 1/2018 Kimura D13/147
2008/0280465 A1 * 11/2008 Ahn H01R 24/62
439/77
2013/0337679 A1 * 12/2013 Tai H01R 13/631
439/485
2016/0156114 A1 * 6/2016 Kao H05K 1/111
439/83

* cited by examiner

Primary Examiner — Angela J Lee

Assistant Examiner — Shawn T Gingrich

(74) *Attorney, Agent, or Firm* — Lin & Associates
Intellectual Property, Inc.

(57) **CLAIM**

The ornamental design for a dual mode connector, as shown and described.

DESCRIPTION

FIG. 1 is a perspective view of a dual mode connector showing my new design;

FIG. 2 is a front elevational view thereof;

FIG. 3 is a rear elevational view thereof;

FIG. 4 is a left elevational view thereof;

FIG. 5 is a right elevational view thereof;

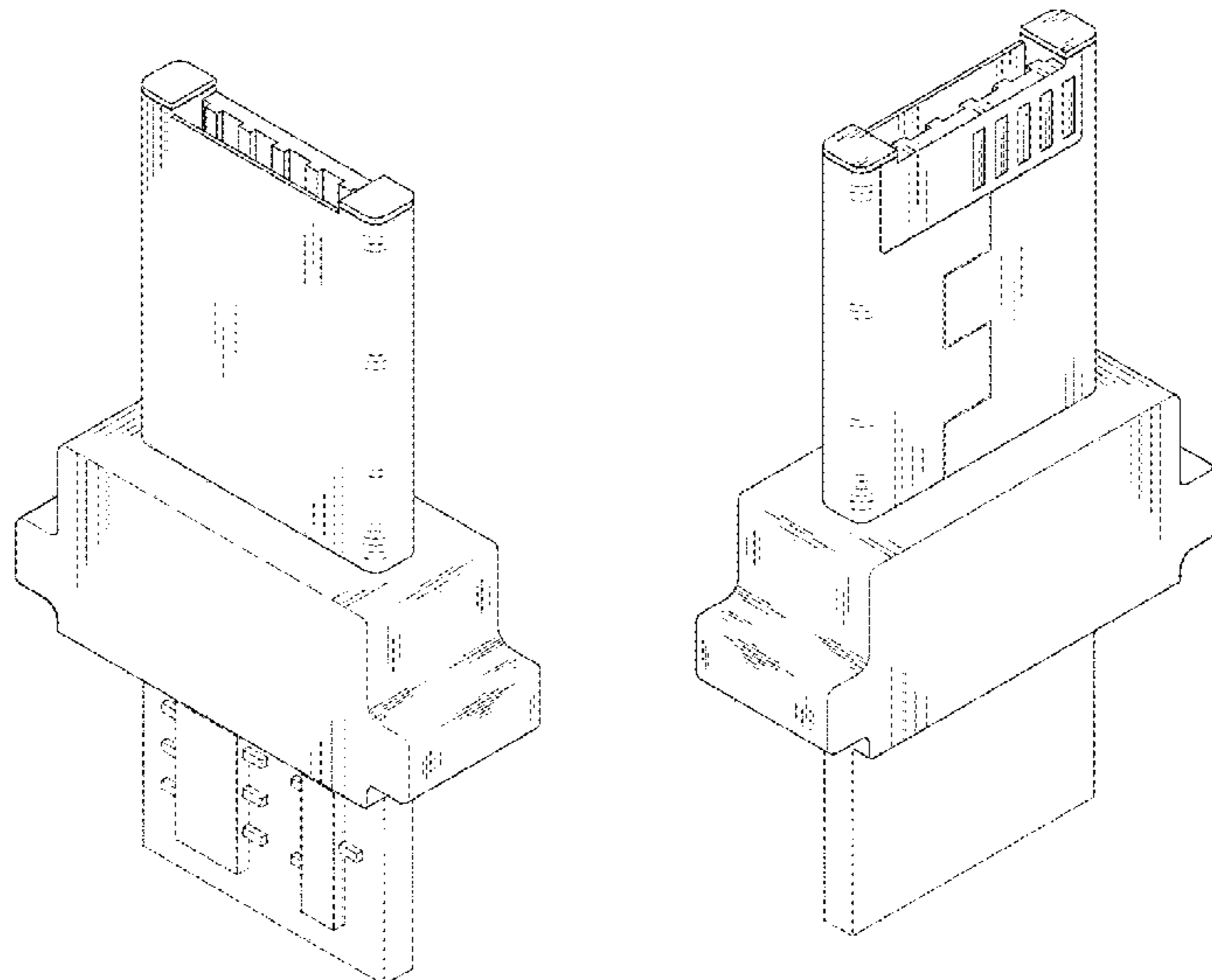
FIG. 6 is a top view thereof;

FIG. 7 is a bottom view thereof; and,

FIG. 8 is a perspective view of the dual mode connector viewed from another direction.

The broken line portion of the drawings is included to show portions of the dual mode connector that form no part of the claimed design.

1 Claim, 8 Drawing Sheets



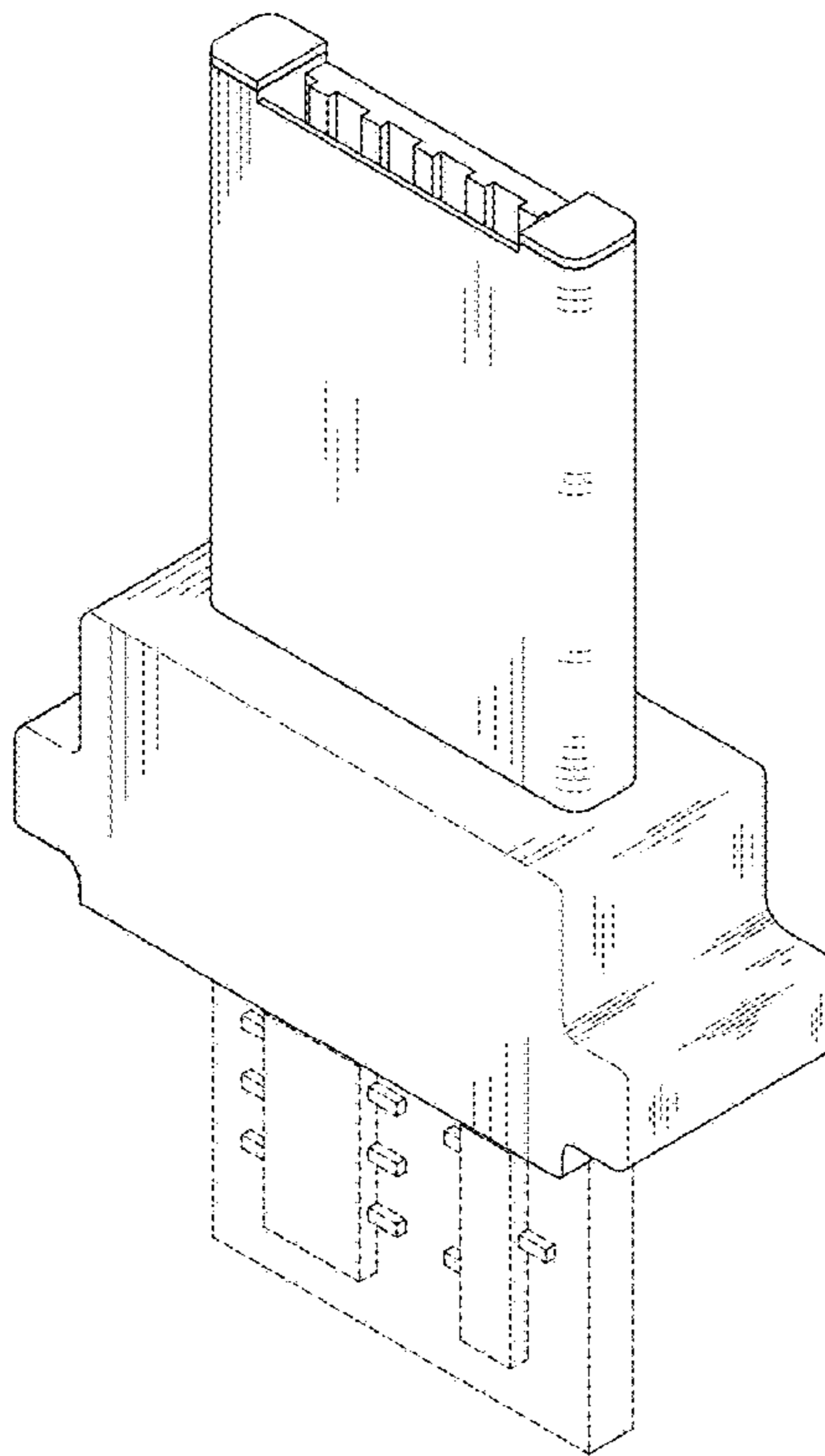


FIG. 1

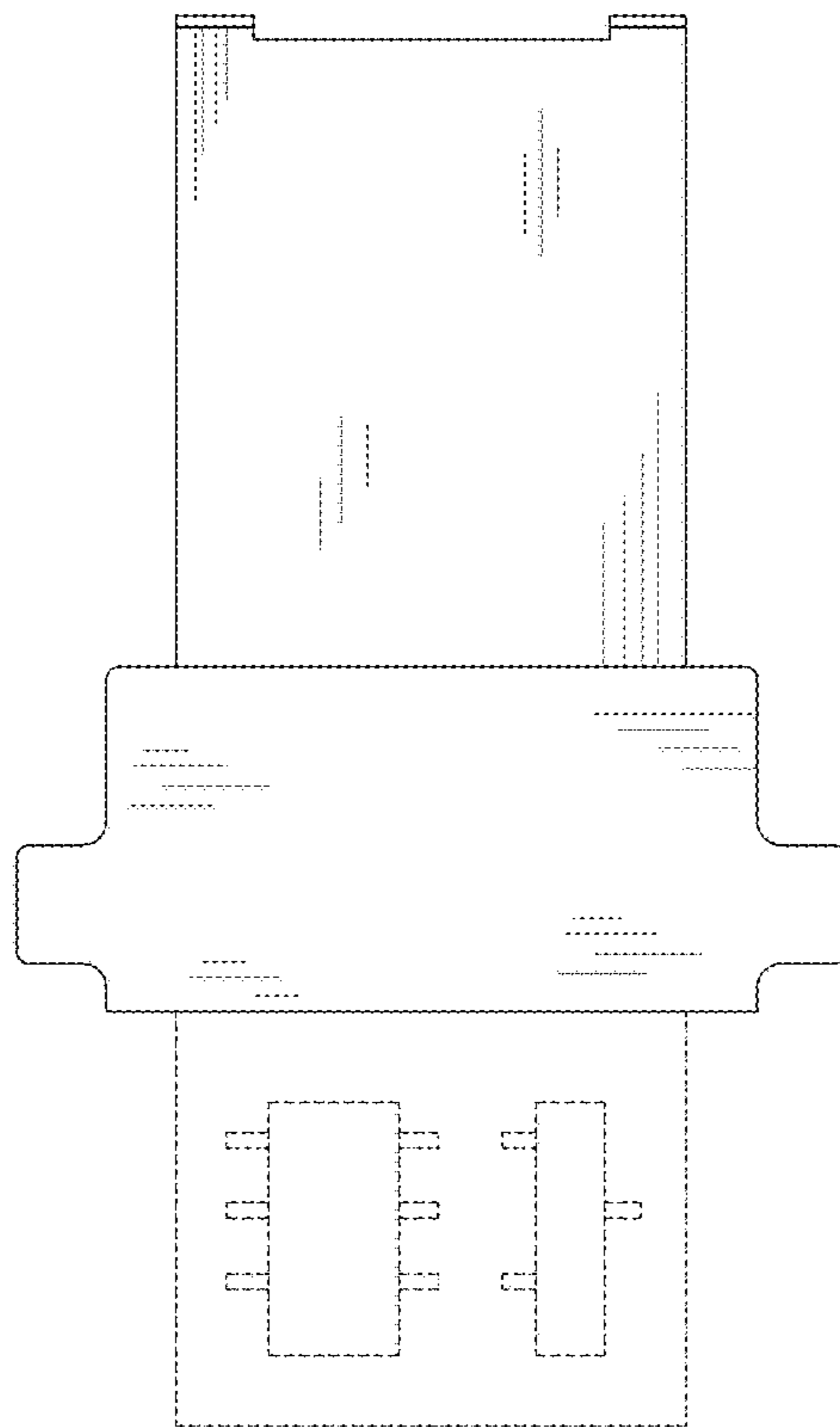


FIG. 2

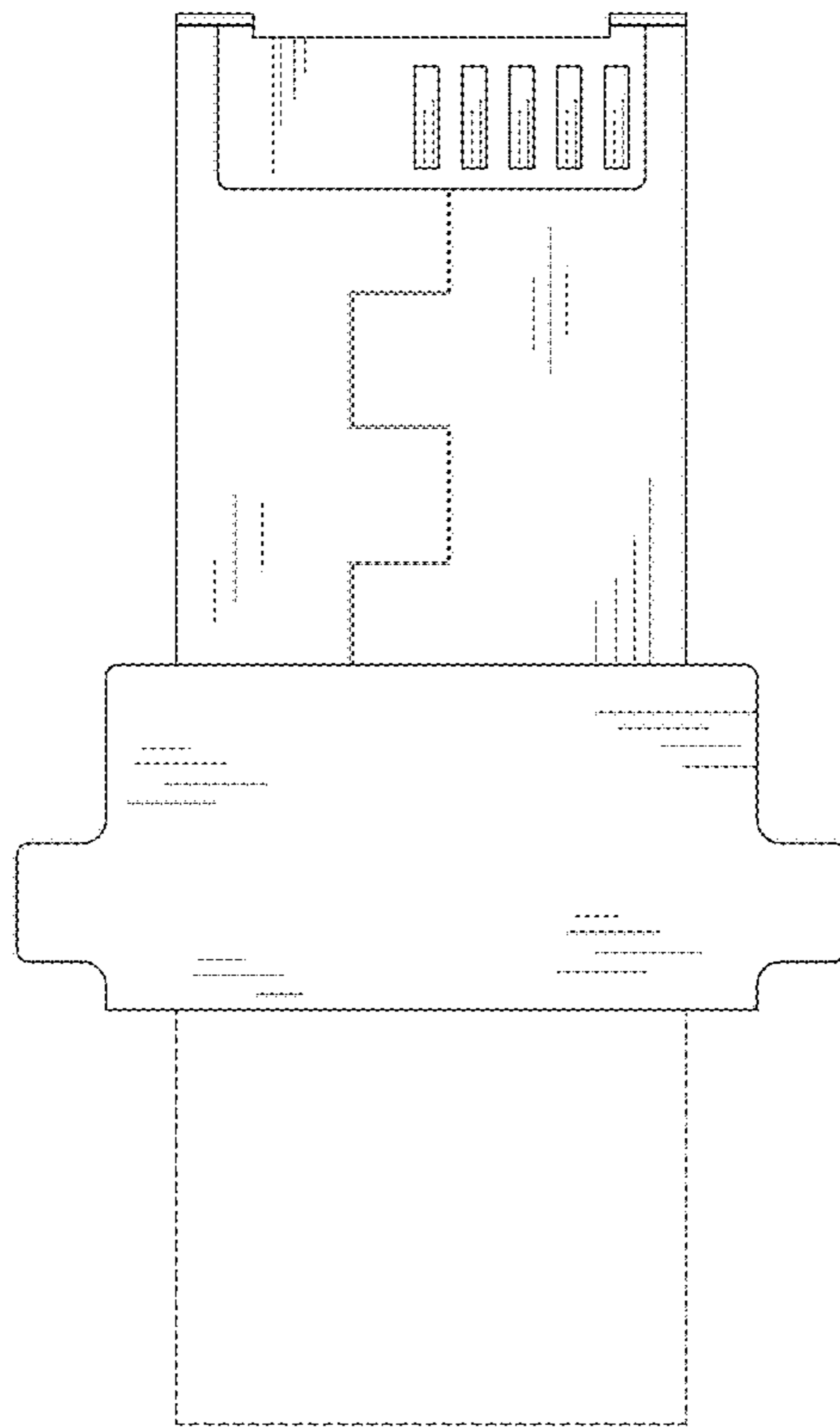


FIG.3

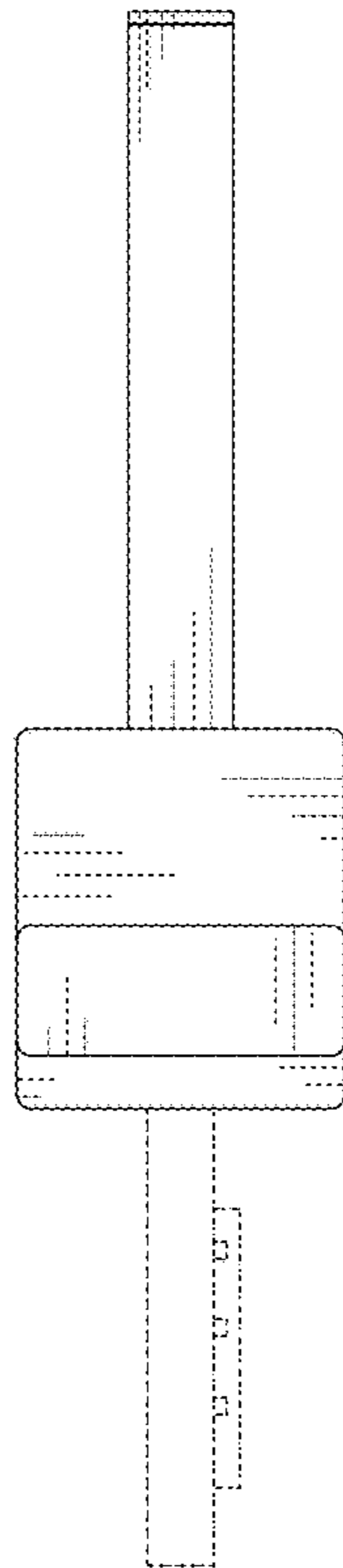


FIG. 4

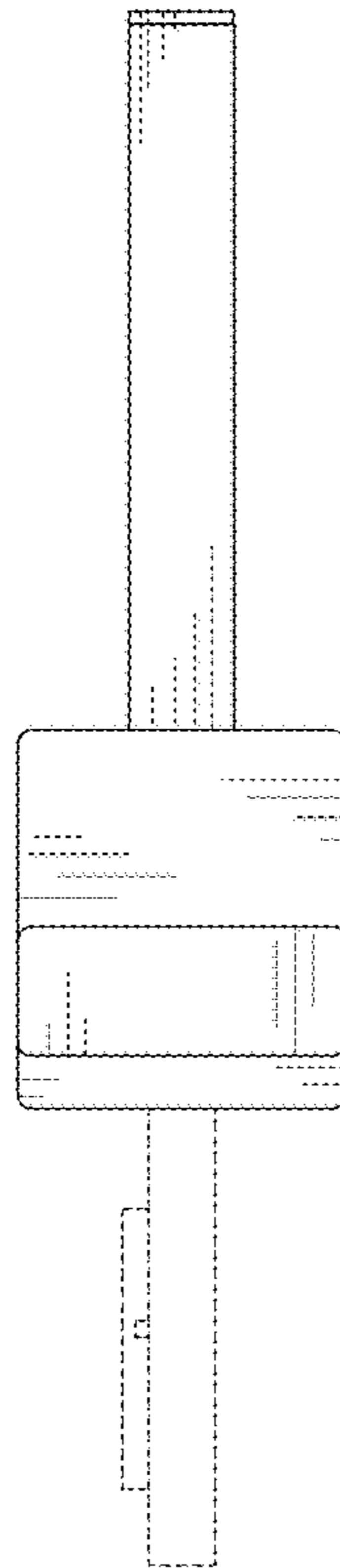


FIG.5

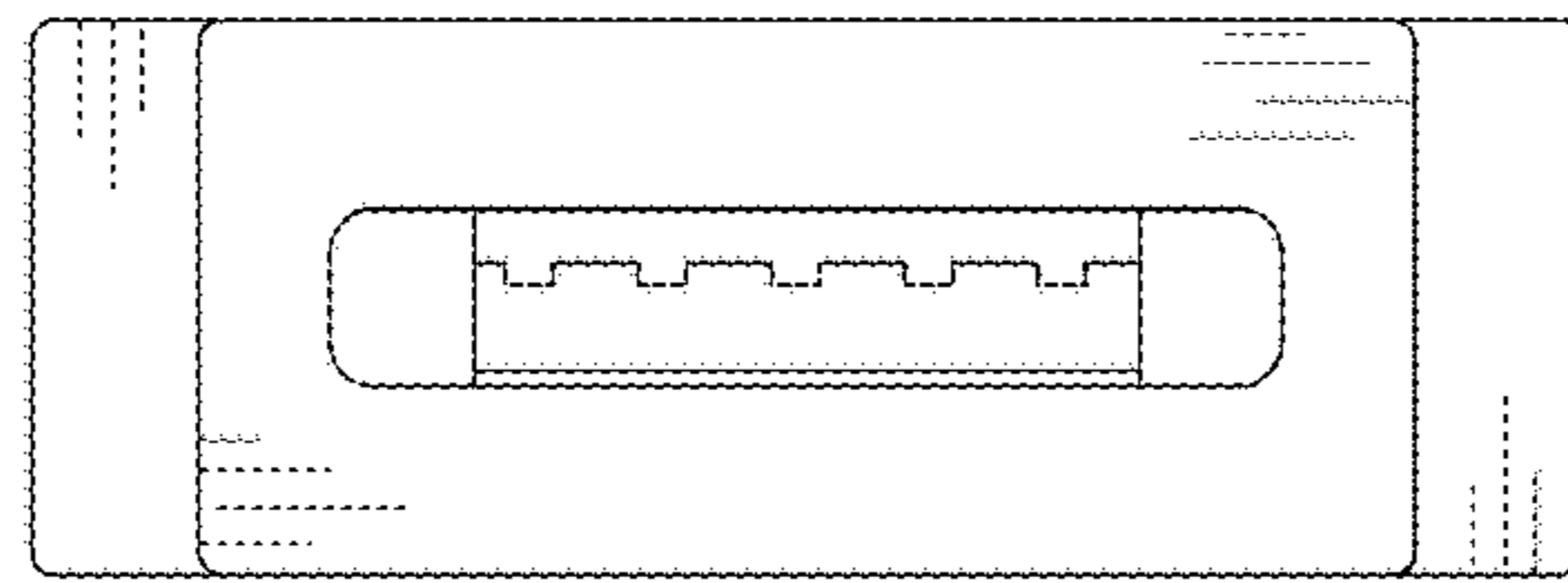


FIG.6

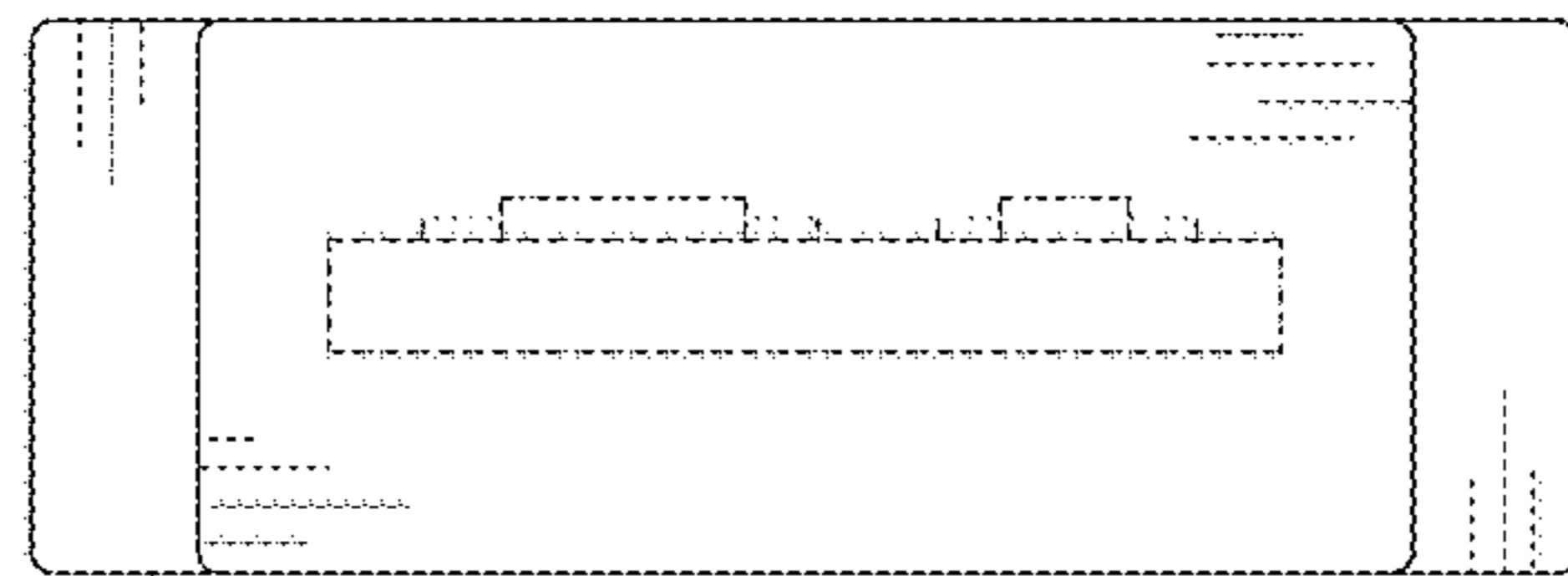


FIG.7

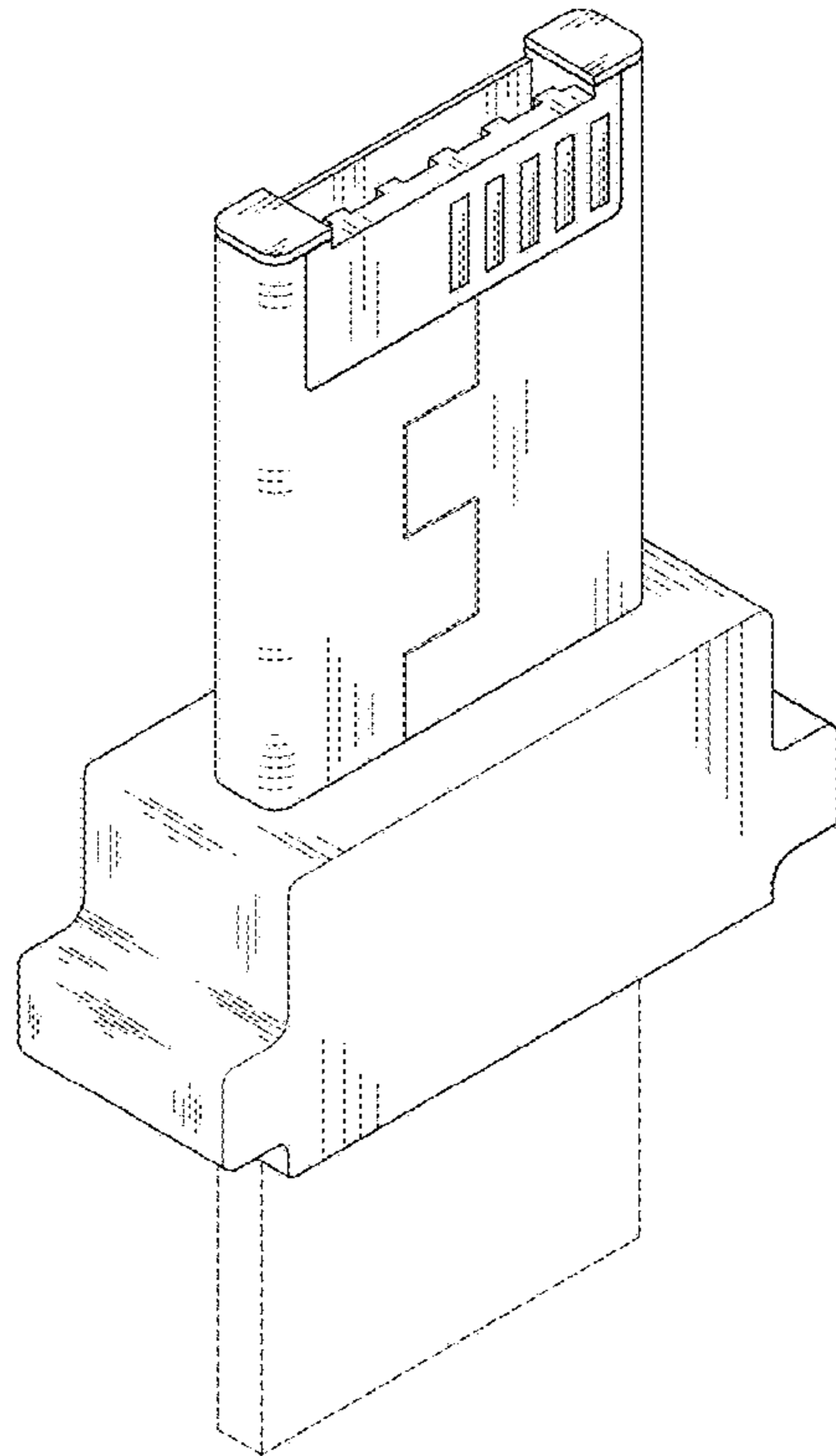


FIG.8