



US00D840934S

(12) **United States Design Patent**
Marchesi et al.

(10) **Patent No.:** **US D840,934 S**

(45) **Date of Patent:** **** Feb. 19, 2019**

(54) **ELECTRICAL CONNECTOR**

(71) Applicant: **ITT Manufacturing Enterprises, LLC**, Wilmington, DE (US)

(72) Inventors: **Mauro Marchesi**, Pero (IT); **Stefano Izzo**, Caronno (IT); **Franco Crivelli**, Pero (IT)

(73) Assignee: **ITT MANUFACTURING ENTERPRISES, LLC**, Wilmington, DE (US)

(**) Term: **15 Years**

(21) Appl. No.: **29/596,003**

(22) Filed: **Mar. 3, 2017**

(30) **Foreign Application Priority Data**

Sep. 5, 2016 (EM) 003366665

(51) **LOC (11) Cl.** **13-02**

(52) **U.S. Cl.**
USPC **D13/120**

(58) **Field of Classification Search**

USPC D13/151, 155, 156, 120, 121, 133, 154,
D13/149, 150; D8/394, 396, 367, 372,
D8/349, 395; D21/797; D6/518;
D3/215; D9/434; D24/133, 135, 143
CPC .. H01R 13/52; H01R 13/523; H01R 13/5205;
H01R 13/521; H01R 35/00; H02G 7/125;
H02G 11/003; Y10T 29/49826; F16L
3/13; F16L 3/26; D06F 55/00

See application file for complete search history.

(56) **References Cited**

U.S. PATENT DOCUMENTS

4,349,241 A * 9/1982 Juris H01R 13/6584
439/88
4,902,238 A * 2/1990 Iacobucci H01R 13/447
439/135

D312,814 S 12/1990 Takizawa
D360,617 S * 7/1995 Grande D13/133
5,588,853 A * 12/1996 Anthony H01R 13/5213
220/375
6,226,068 B1 * 5/2001 Arcykiewicz H01R 13/625
439/314
D475,968 S 6/2003 Pincek
D525,202 S * 7/2006 Bihrer D13/146
D559,785 S * 1/2008 Tosetti A61C 1/18
D13/133
D601,504 S * 10/2009 Rupp D13/147
(Continued)

OTHER PUBLICATIONS

U.S. Appl. No. 29/595,994, filed Mar. 3, 2017, Marchesi et al.

Primary Examiner — Jennifer Rivard

Assistant Examiner — Alison M Ofstun

(74) *Attorney, Agent, or Firm* — Knobbe, Martens, Olson & Bear LLP

(57) **CLAIM**

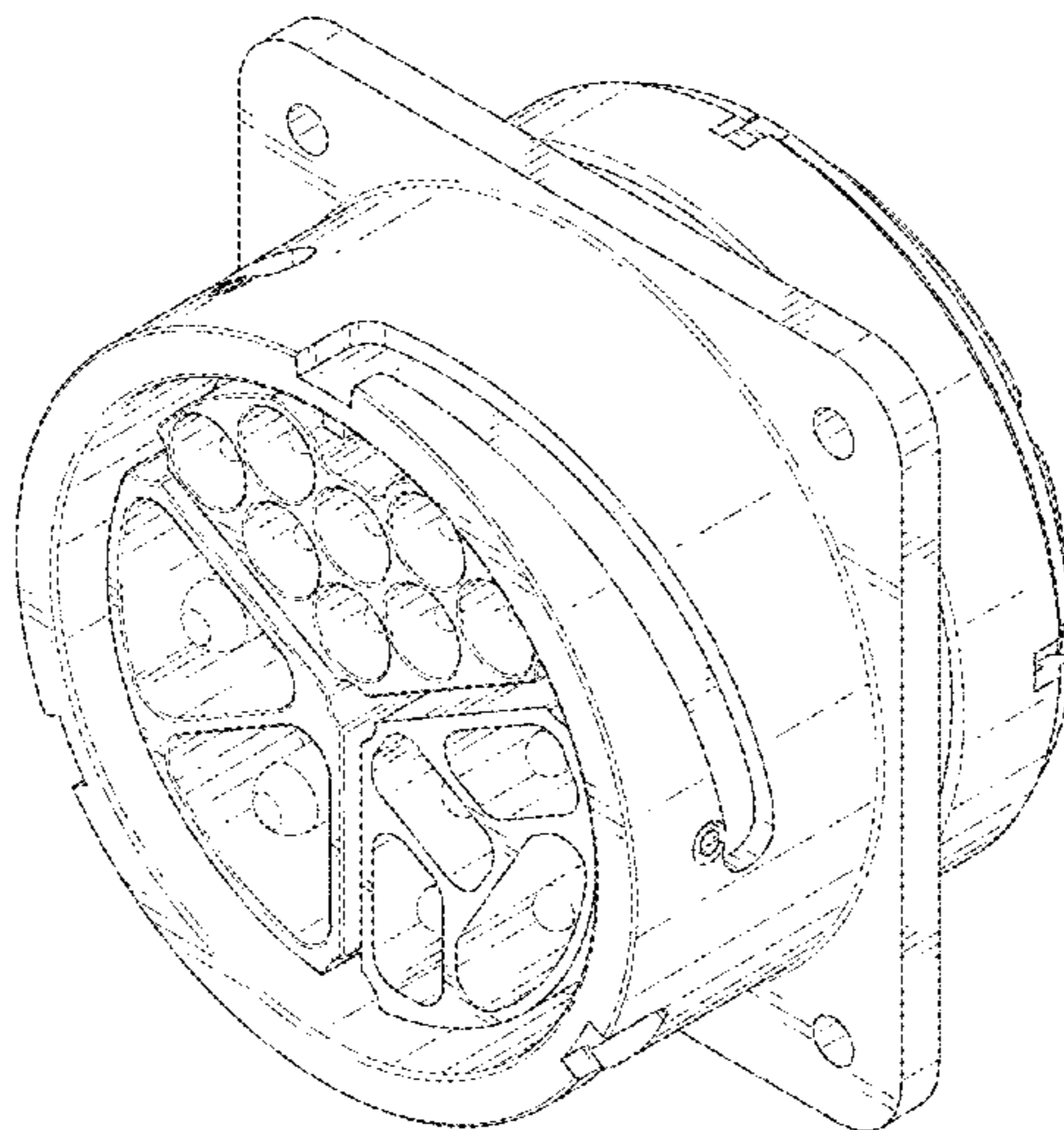
The ornamental design for an electrical connector, as shown and described.

DESCRIPTION

FIG. 1 is a top, front, left-side perspective view of an electrical connector embodying our design;
FIG. 2 is a top, rear, right-side perspective view thereof;
FIG. 3 is another front, left-side perspective view thereof;
FIG. 4 is another rear, right-side perspective view thereof;
FIG. 5 is a front elevation view thereof;
FIG. 6 is a rear elevation view thereof;
FIG. 7 is a left-side elevation view thereof;
FIG. 8 is a right-side elevation view thereof;
FIG. 9 is a top plan view thereof; and,
FIG. 10 is a bottom plan view thereof.

The broken lines present in the drawings illustrate portions of the article which form no part of the claimed design.

1 Claim, 10 Drawing Sheets



(56)

References Cited

U.S. PATENT DOCUMENTS

D601,964 S * 10/2009 Rupp D13/147
8,123,535 B1 * 2/2012 Yeon H01R 13/502
439/101
D705,167 S 5/2014 Ilkhanov
8,974,241 B2 * 3/2015 Finona H01R 13/5208
439/271
D730,289 S 5/2015 Ilkhanov
D732,480 S 6/2015 Makinen
9,472,894 B2 * 10/2016 Jordan H01R 13/74
D771,569 S 11/2016 Smith
D776,616 S * 1/2017 Katagiyama D13/133
9,680,268 B1 6/2017 Finona
2006/0240698 A1 10/2006 Sanuki
2010/0104355 A1 * 4/2010 Sugimoto G02B 6/3897
403/292
2014/0335739 A1 * 11/2014 Sato H01R 13/6456
439/680
2015/0288094 A1 10/2015 Lerner
2018/0040986 A1 * 2/2018 Tsang H01R 13/648

* cited by examiner

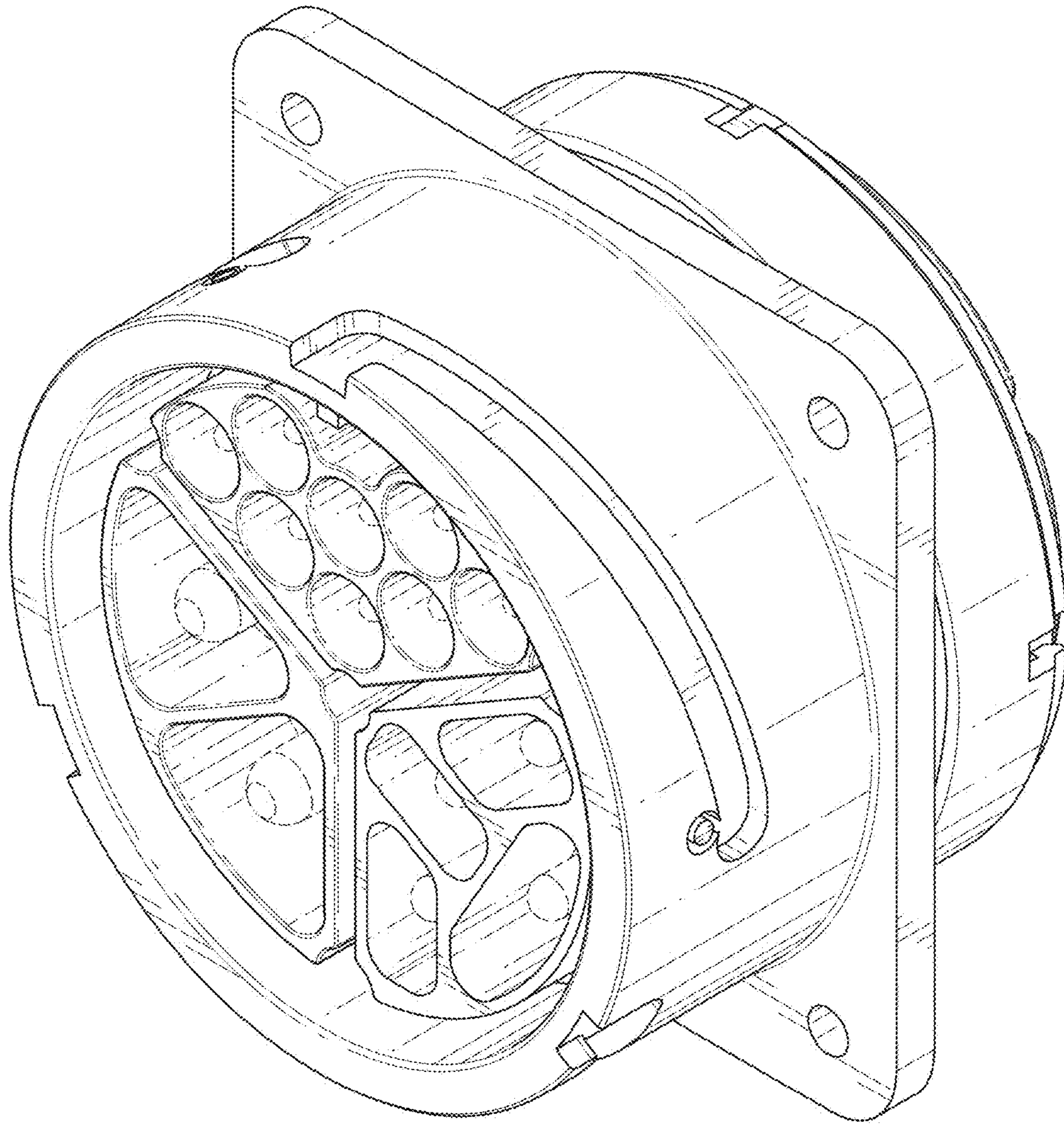


FIG. 1

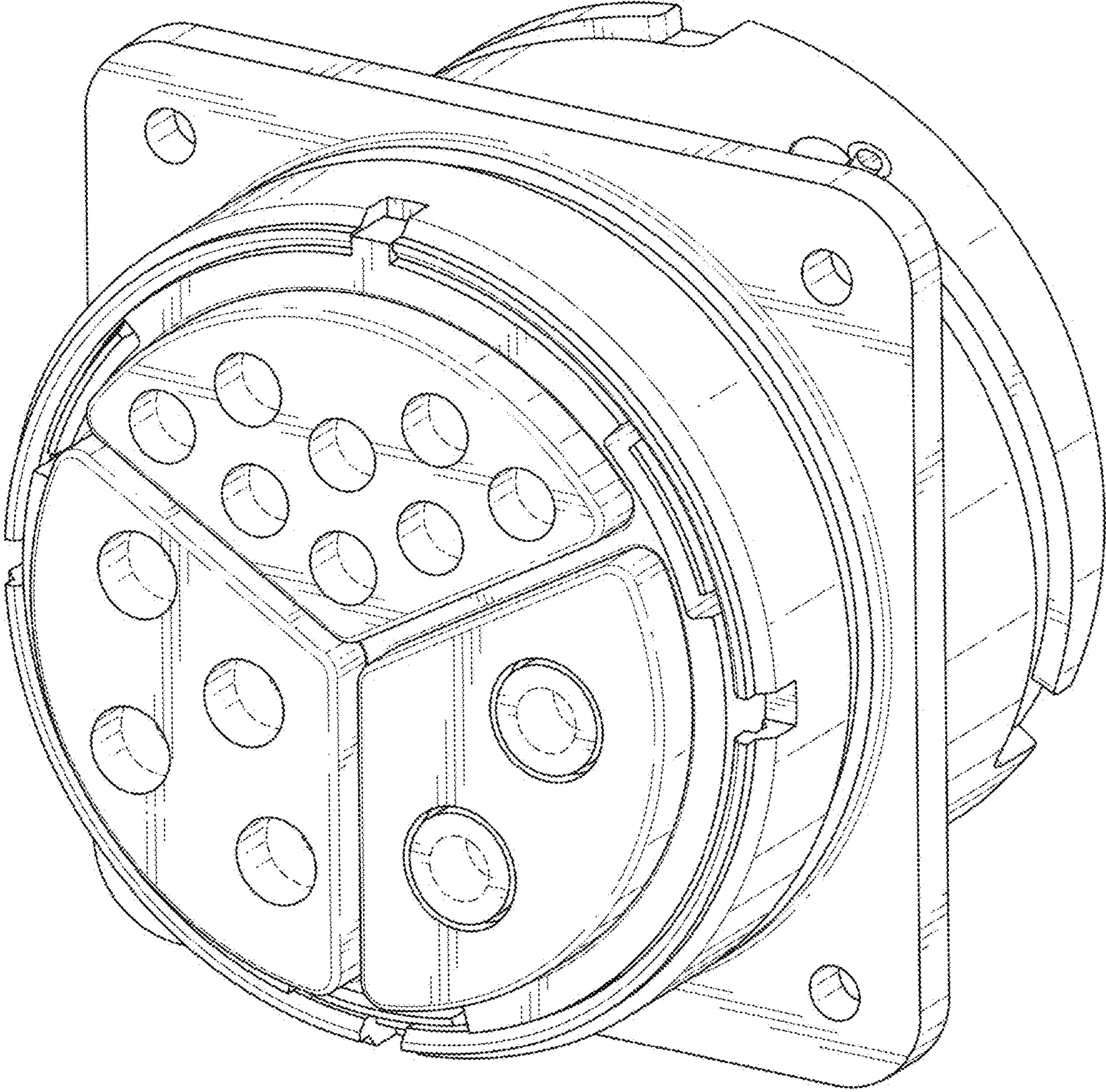


FIG. 2

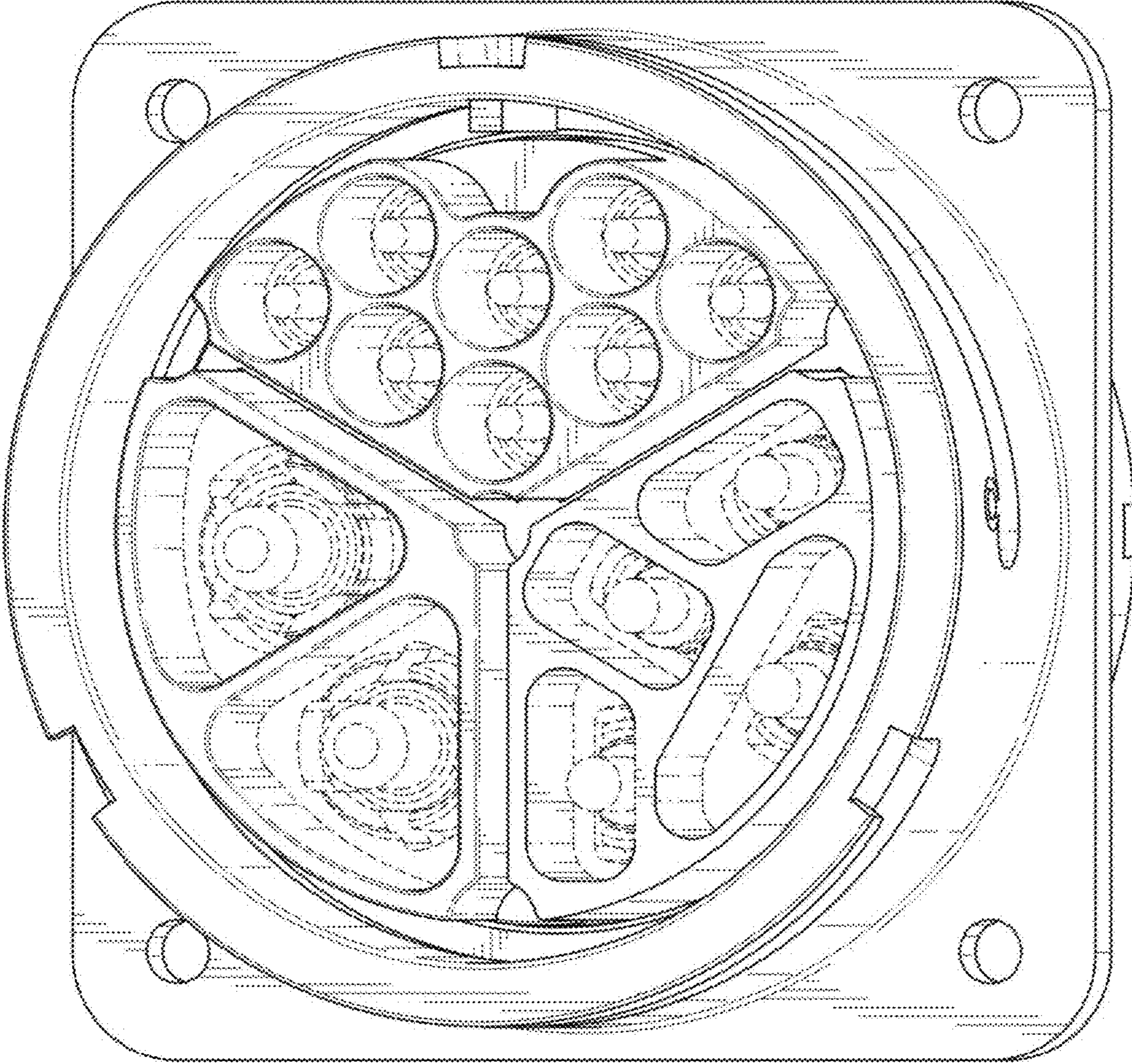


FIG. 3

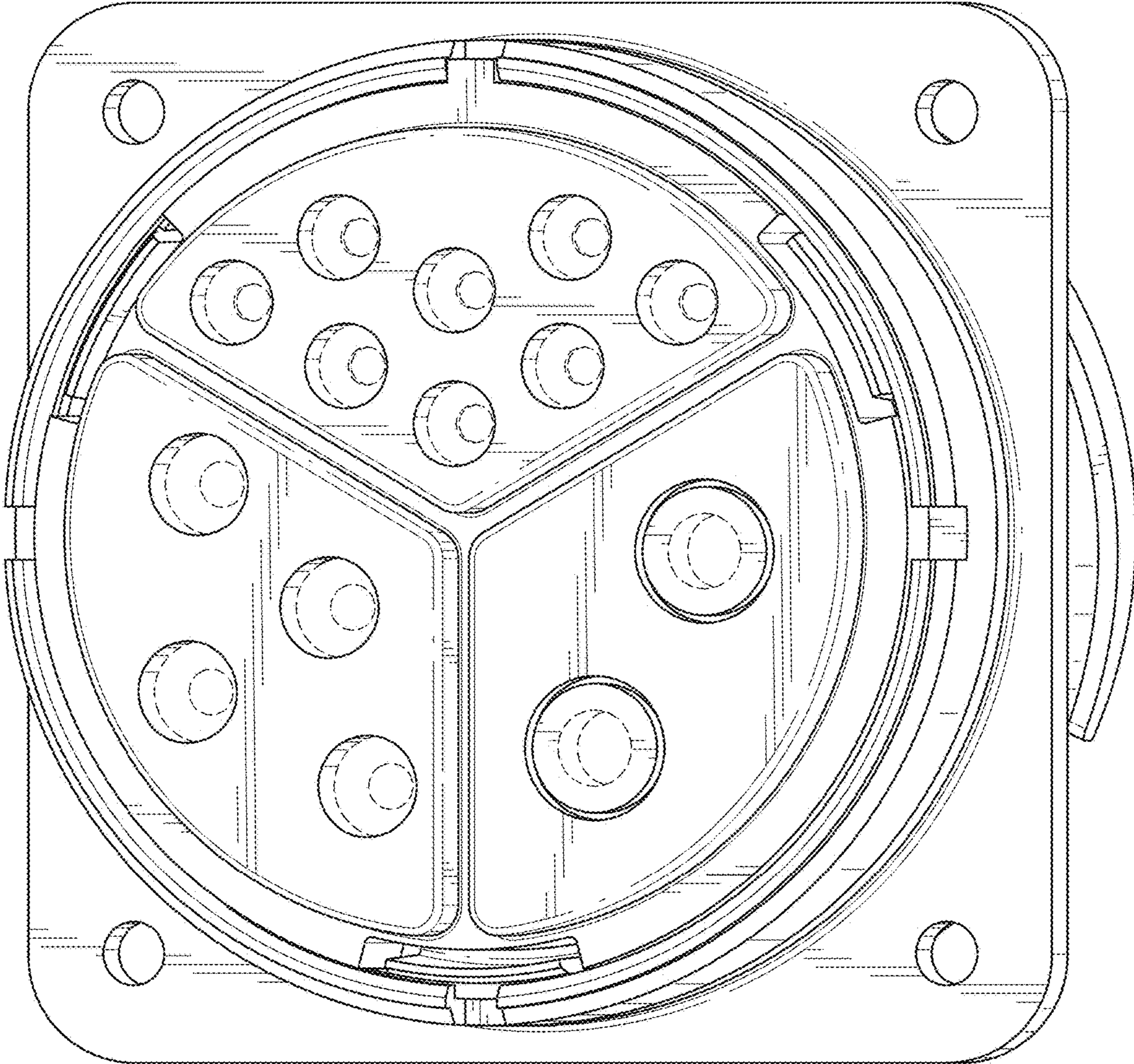


FIG. 4

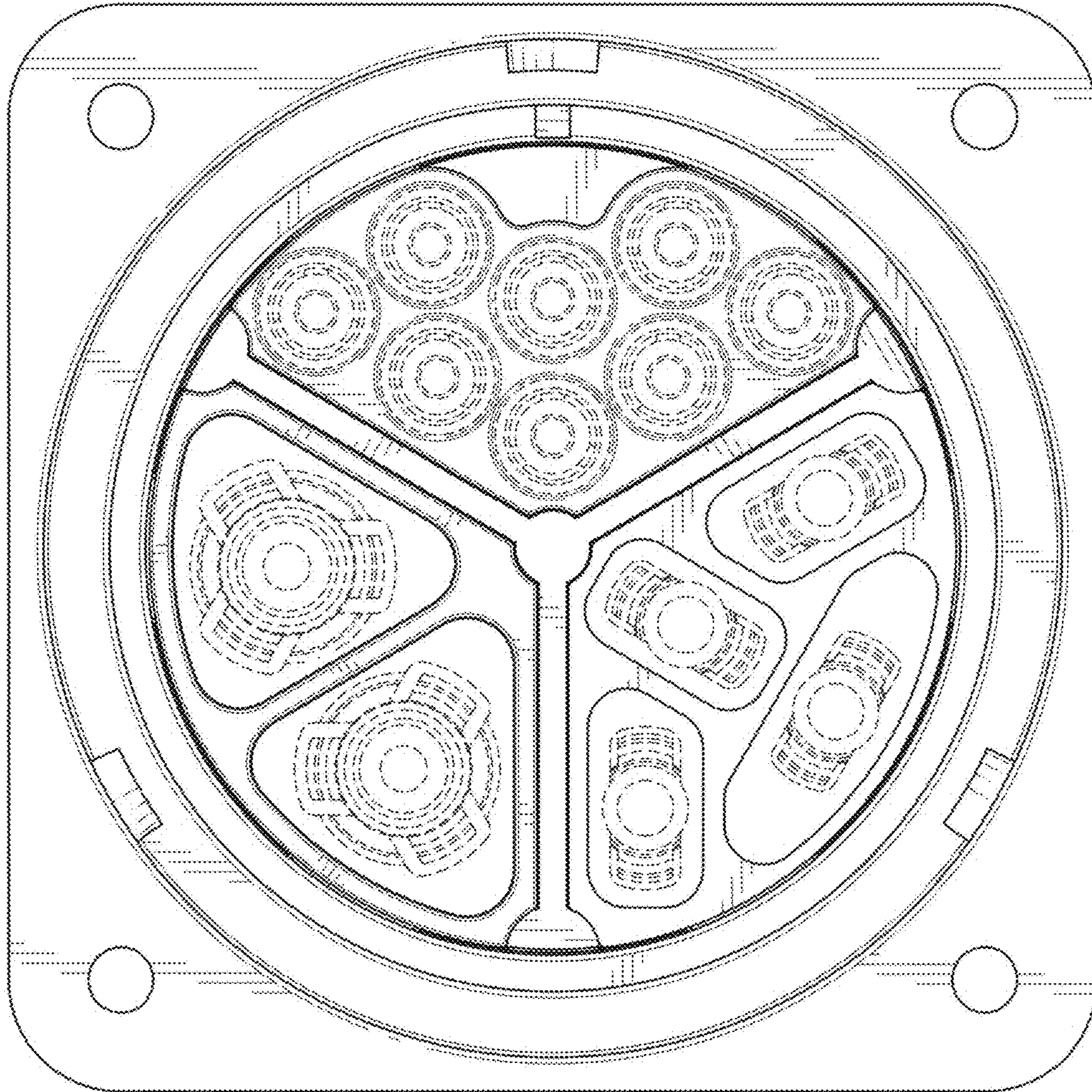


FIG. 5

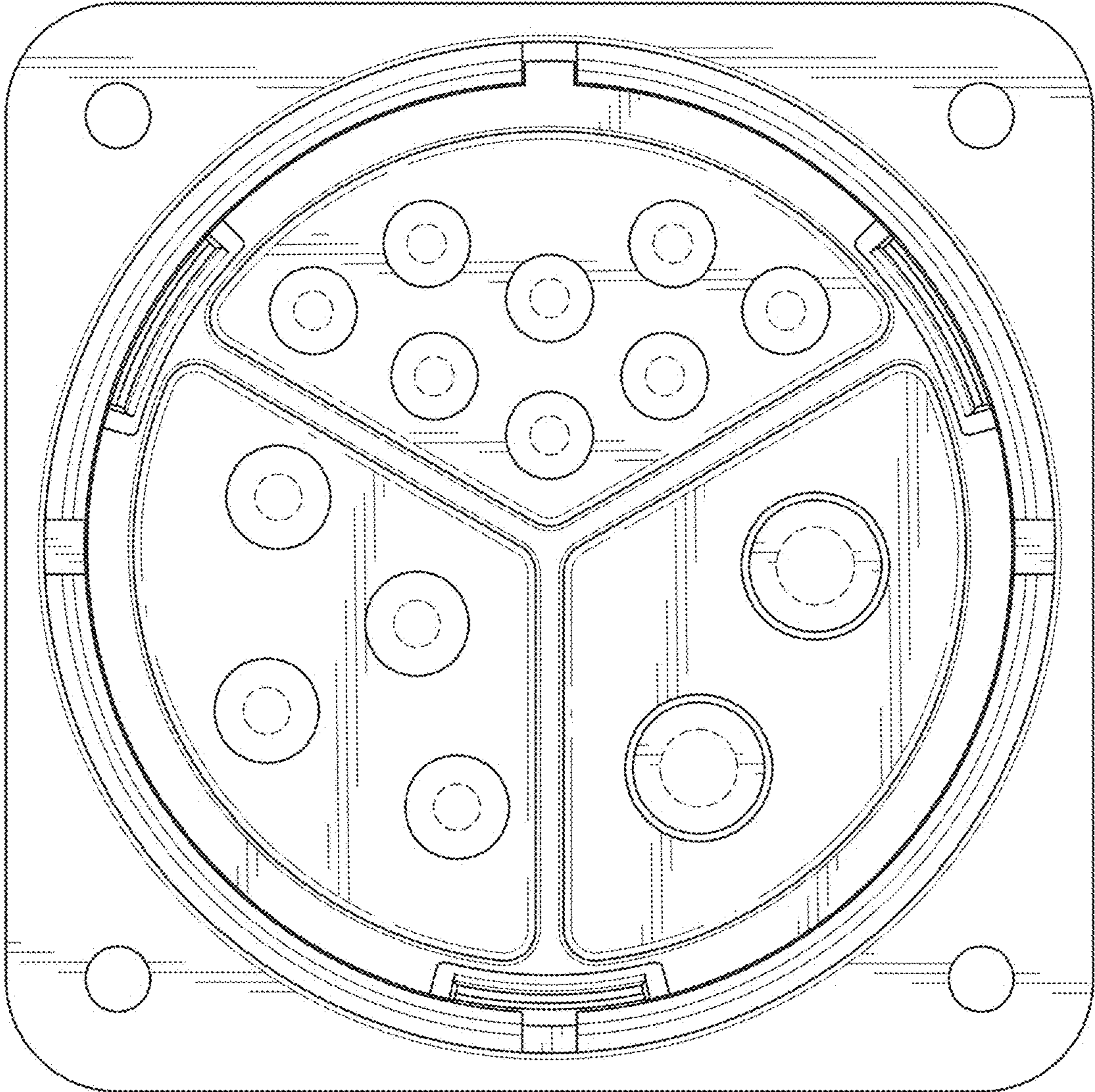


FIG. 6

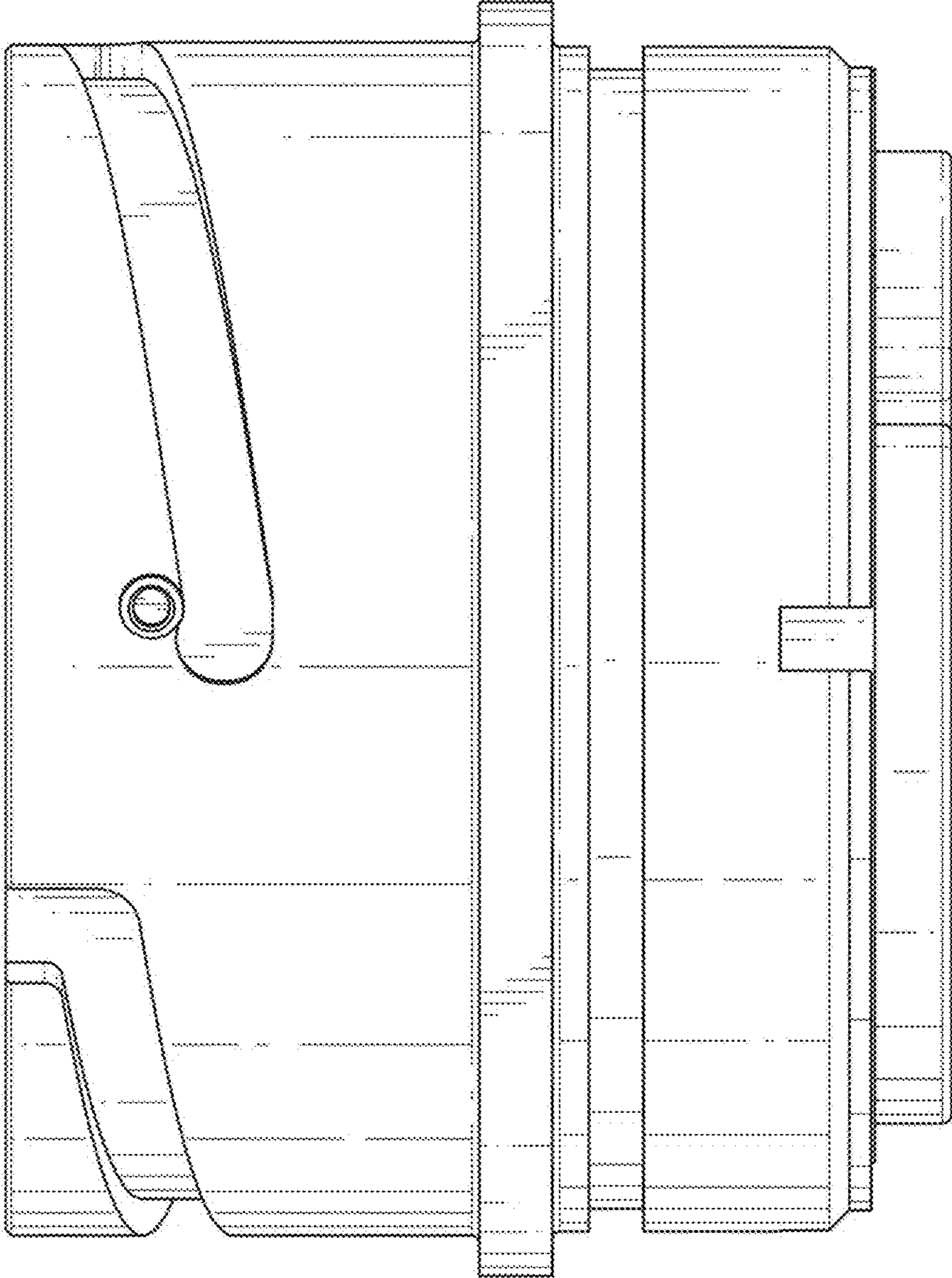


FIG. 7

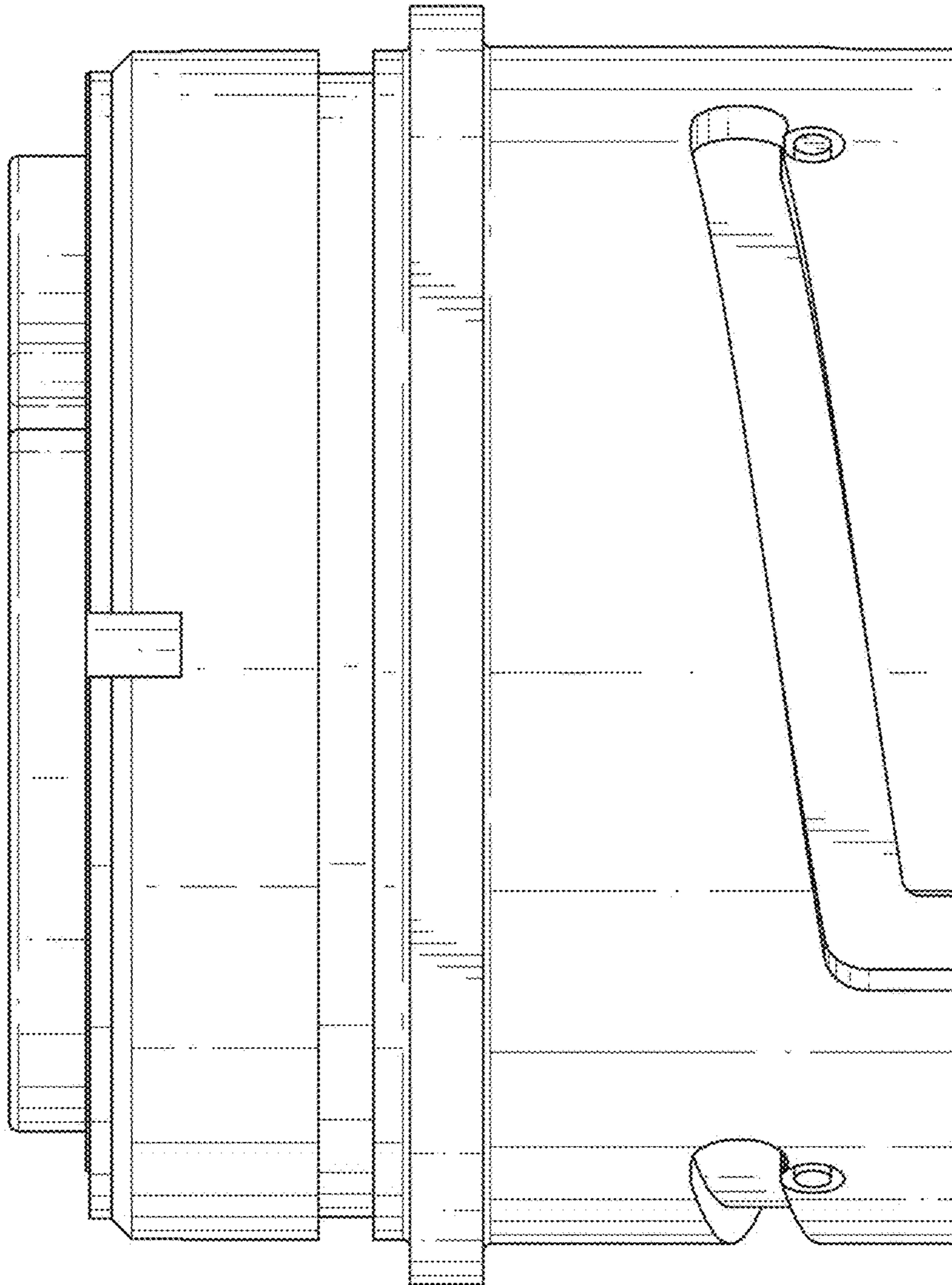


FIG. 8

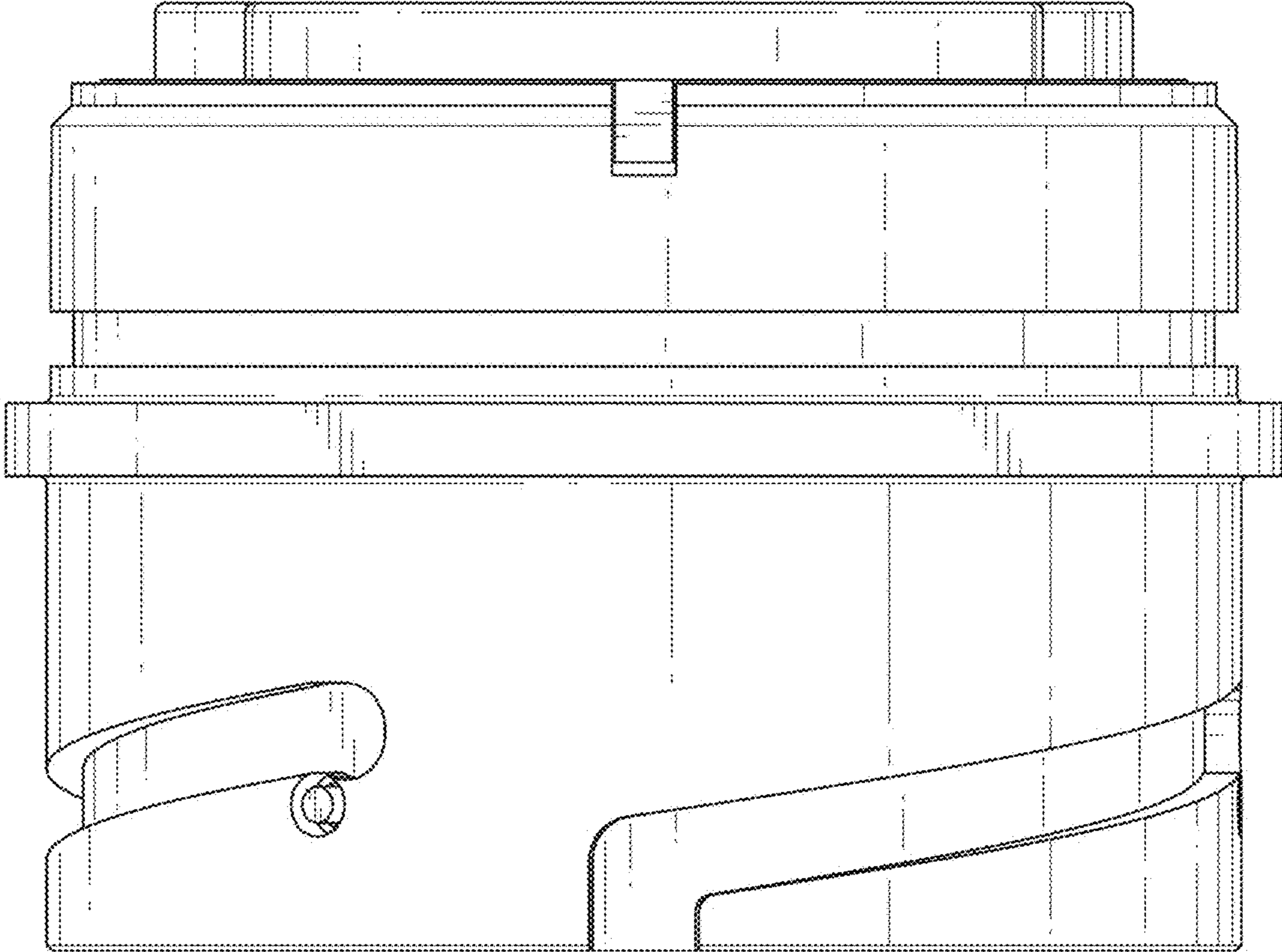


FIG. 9

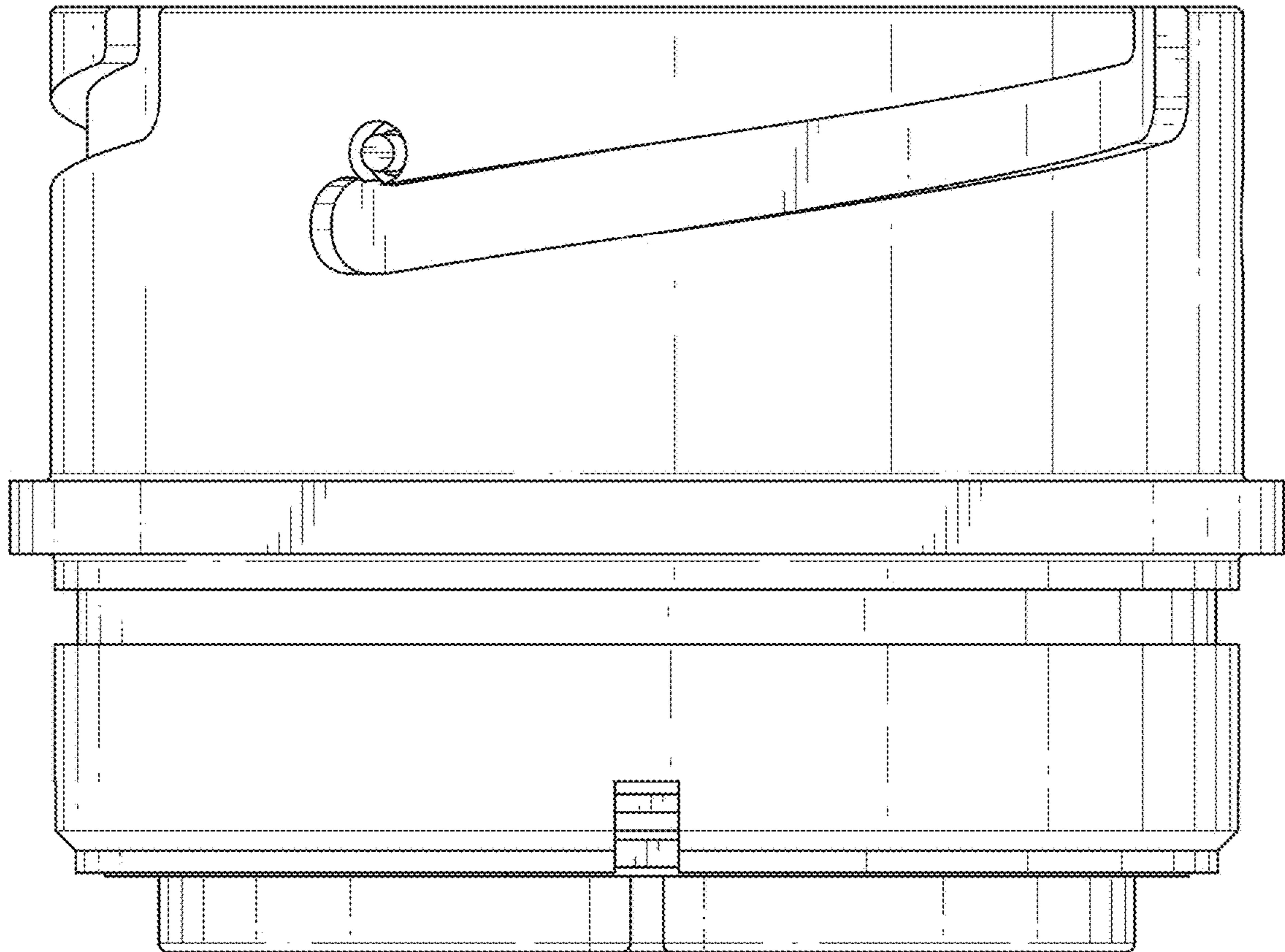


FIG. 10