



US00D840932S

(12) **United States Design Patent**
Markoski et al.

(10) **Patent No.:** **US D840,932 S**

(45) **Date of Patent:** **** Feb. 19, 2019**

(54) **GAS ADAPTOR FOR ELECTRIC GENERATOR**

(71) Applicant: **INI Power Systems, Inc.**, Morrisville, NC (US)

(72) Inventors: **Larry J. Markoski**, Raleigh, NC (US); **Timothy C. Simmons**, Durham, NC (US); **Daniel L. Furgurson**, Raleigh, NC (US)

(73) Assignee: **INI Power Systems, Inc.**, Morrisville, NC (US)

(**) Term: **15 Years**

(21) Appl. No.: **29/576,634**

(22) Filed: **Sep. 6, 2016**

(51) **LOC (11) Cl.** **13-01**

(52) **U.S. Cl.**
USPC **D13/112**

(58) **Field of Classification Search**
USPC D13/112, 199, 184, 122, 118, 116, 115, D13/114, 110, 101; D23/395, 351, 111; 361/836, 730; 322/100; 290/1 B, 1 A; 123/2
CPC F02B 63/04
See application file for complete search history.

(56) **References Cited**

U.S. PATENT DOCUMENTS

D263,395 S *	3/1982	Karas	D13/162
D478,310 S *	8/2003	Andre	D13/110
D488,127 S *	4/2004	Fan	D13/112
D703,609 S *	4/2014	Koenig	D13/110
D724,539 S *	3/2015	Markoski	D13/122

D736,152 S *	8/2015	Levy	D13/108
D750,561 S *	3/2016	Ravi	D13/123
D751,037 S *	3/2016	Markoski	D13/122
D788,036 S *	5/2017	Wang	D13/108
2004/0197608 A1 *	10/2004	Fuglevand	H01M 8/0247 429/9

OTHER PUBLICATIONS

Universal Propane Adaptor Kit posted by INI Power Systems posted date unknown, © INIPowerSystems Inc, [online],[site visited Mar. 13, 2018]. Available from Internet, <https://www.inipowersystems.com/accessories> (Year: 2018).*

* cited by examiner

Primary Examiner — Cynthia Ramirez

Assistant Examiner — Laura H Yu

(74) *Attorney, Agent, or Firm* — Evan Law Group LLC

(57) **CLAIM**

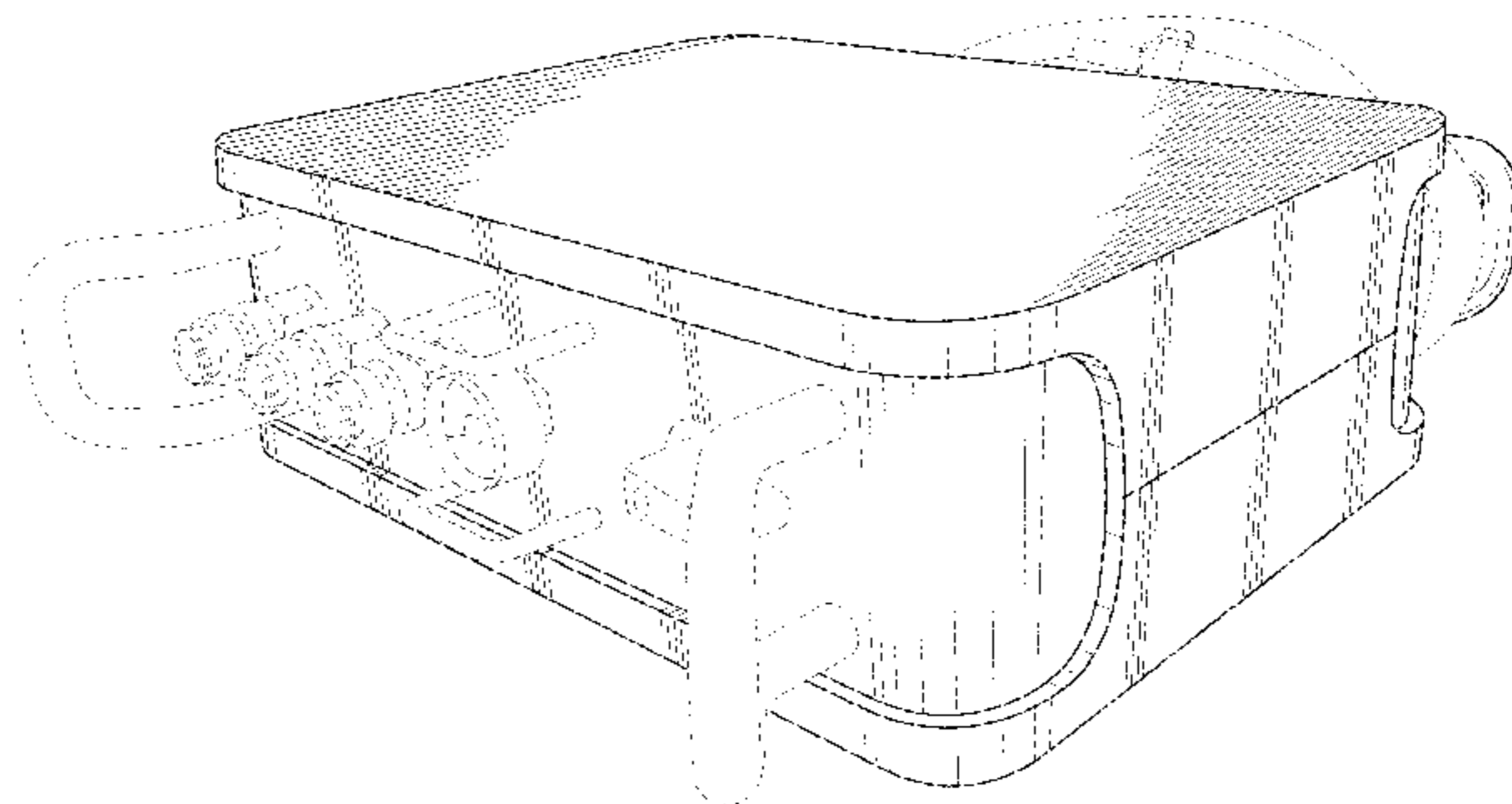
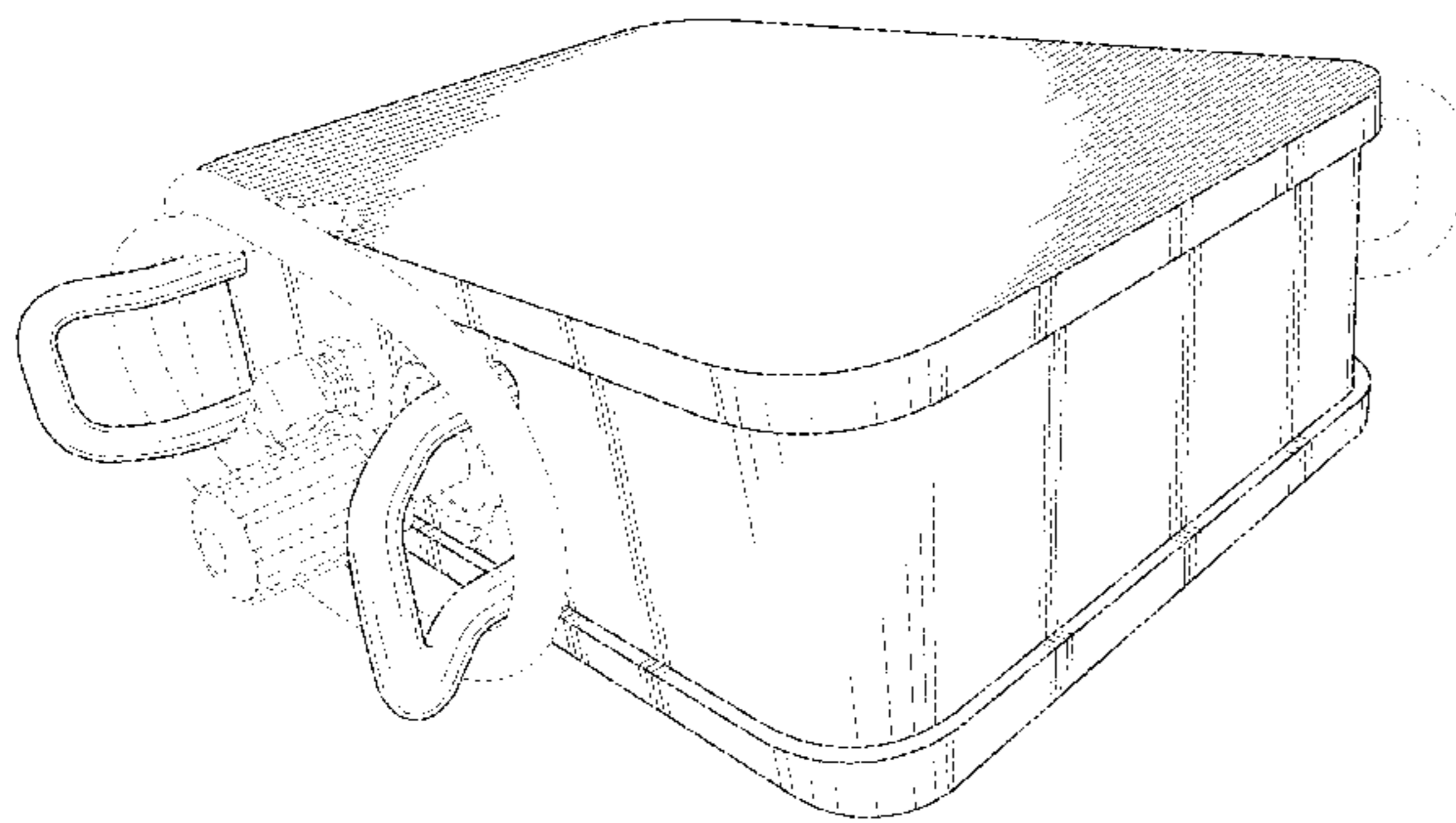
The ornamental design for a gas adaptor for electric generator, as shown and described.

DESCRIPTION

FIG. 1 is a front, top, and right side perspective view of a gas adaptor for electric generator, showing our design. FIG. 2 is a back, top and left side perspective view thereof; FIG. 3 is a front elevational view thereof; FIG. 4 is a back elevational view thereof; FIG. 5 is a left side elevational view thereof; FIG. 6 is a right side elevational view thereof; FIG. 7 is a top plan view thereof; and, FIG. 8 is a bottom plan view thereof.

The broken lines in the figures illustrating portions of the gas adaptor for electric generator form no part of the claimed design.

1 Claim, 8 Drawing Sheets



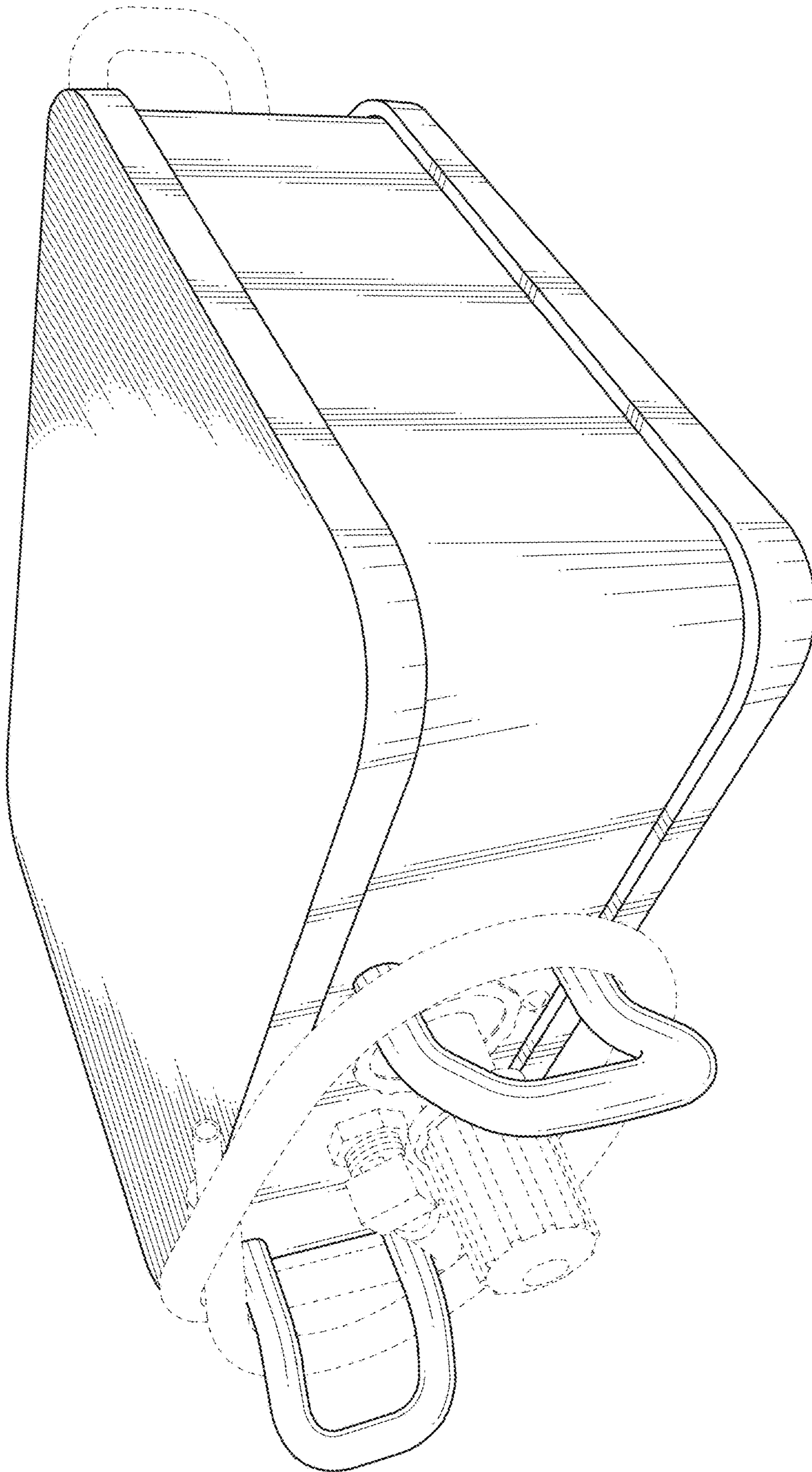


FIG. 1

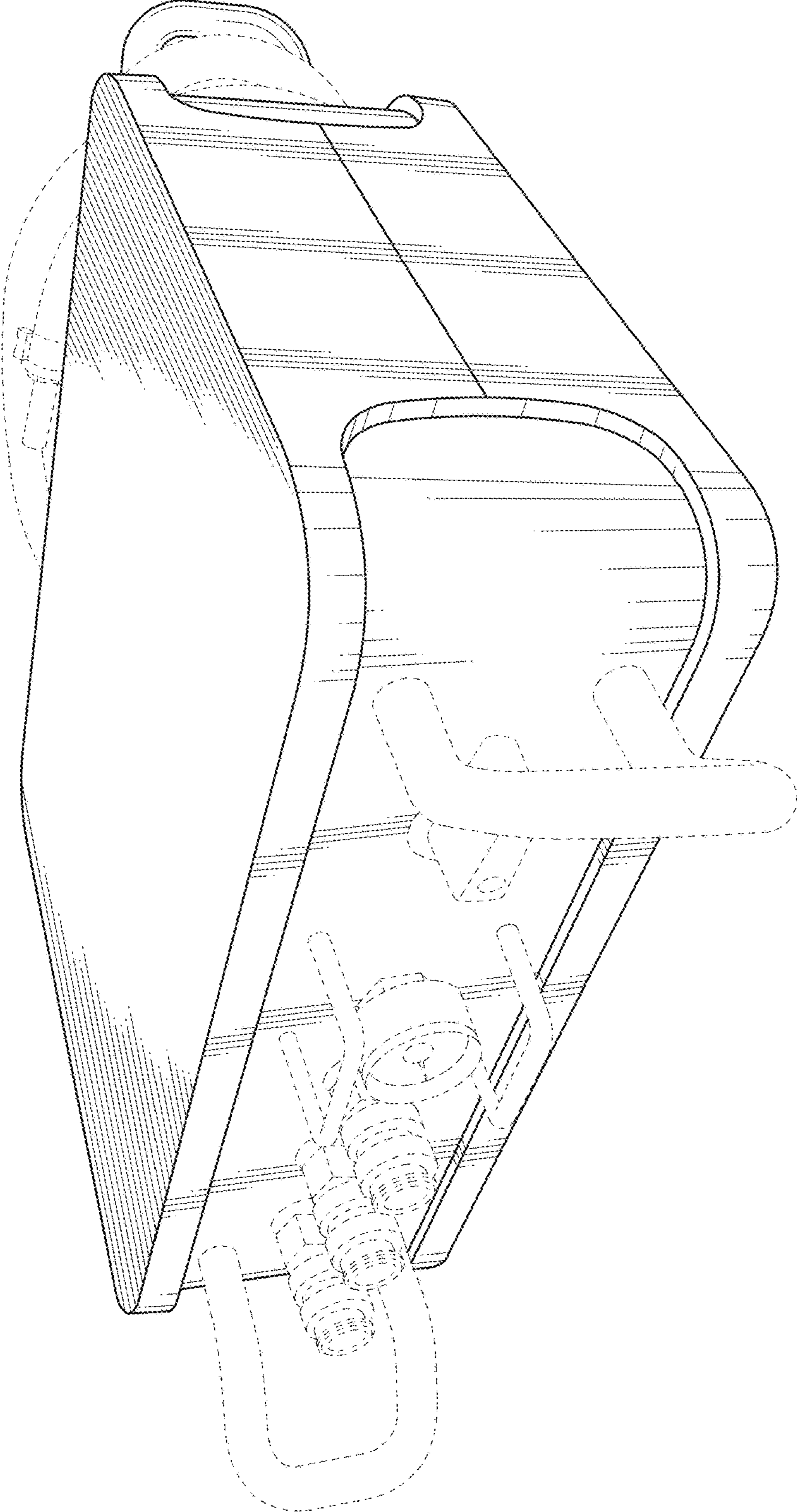


FIG. 2

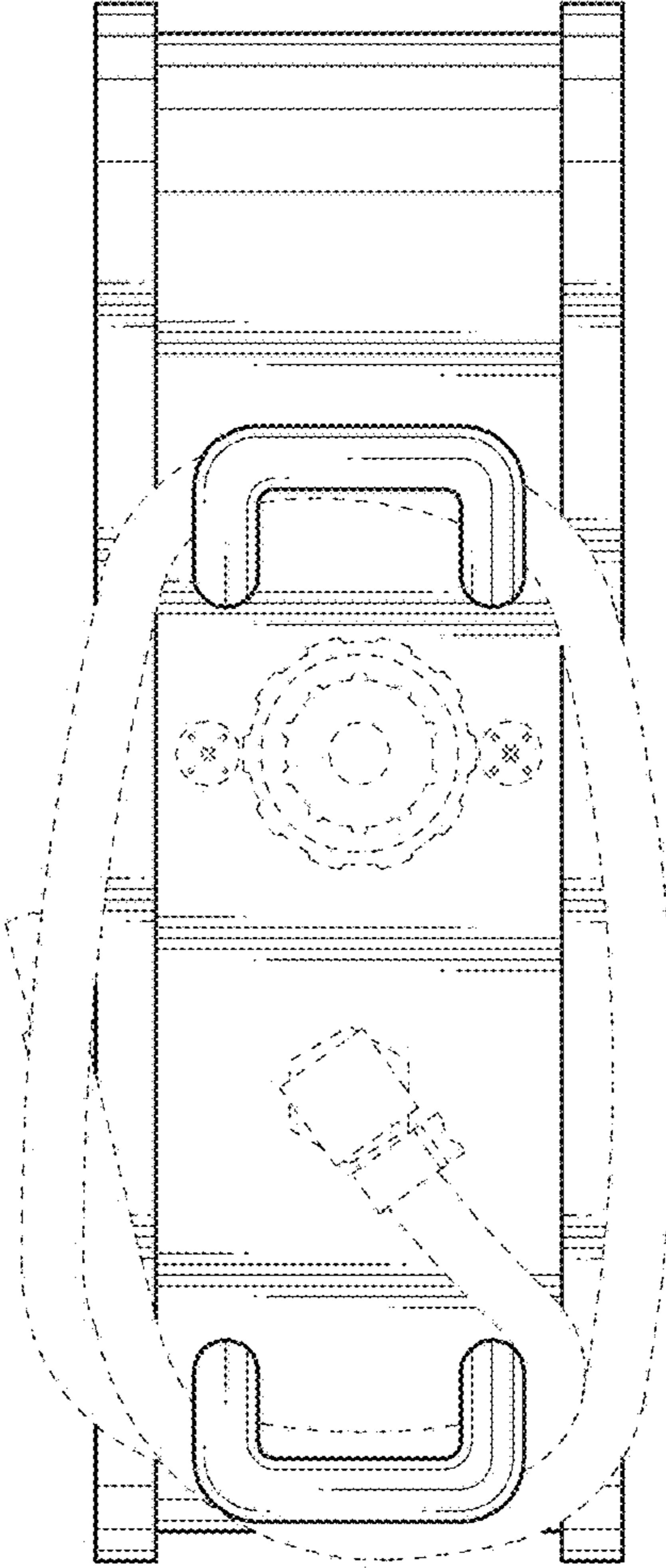


FIG. 3

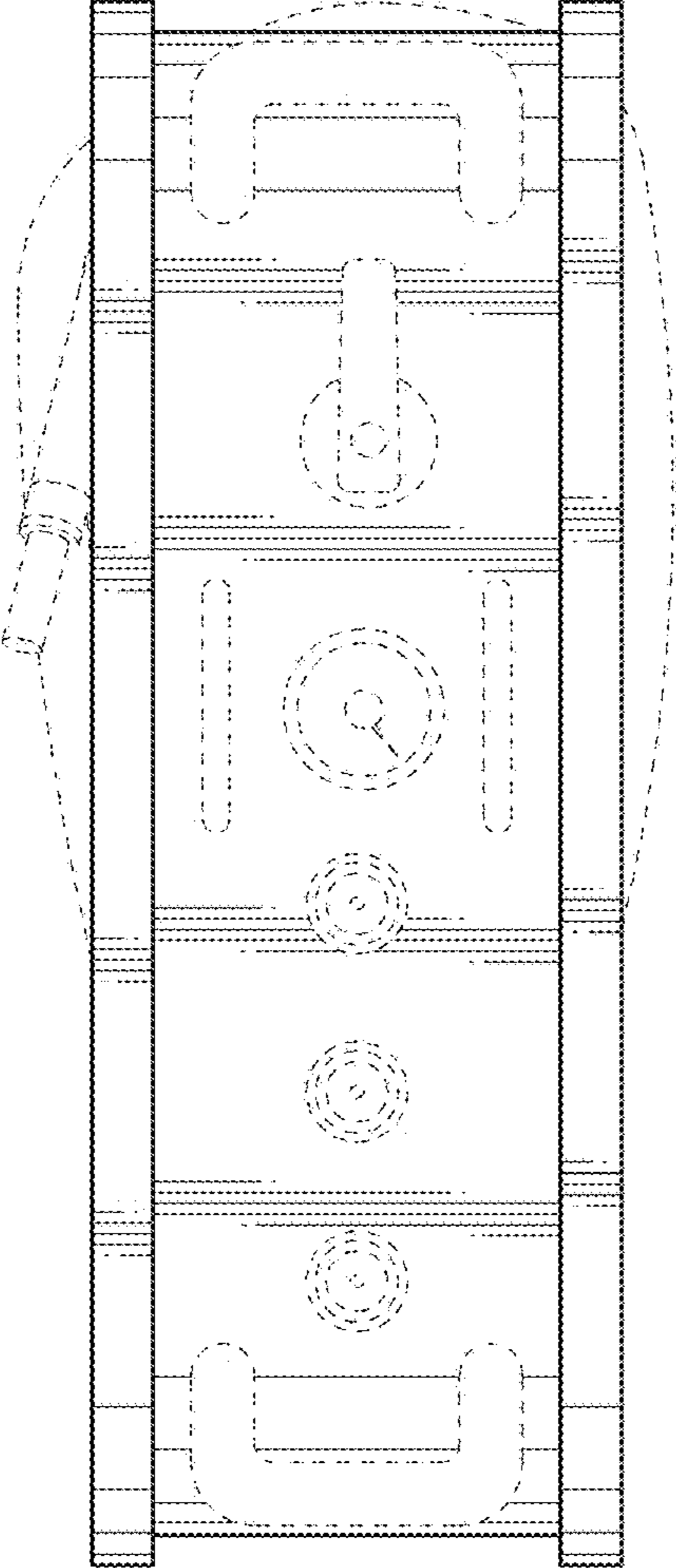


FIG. 4

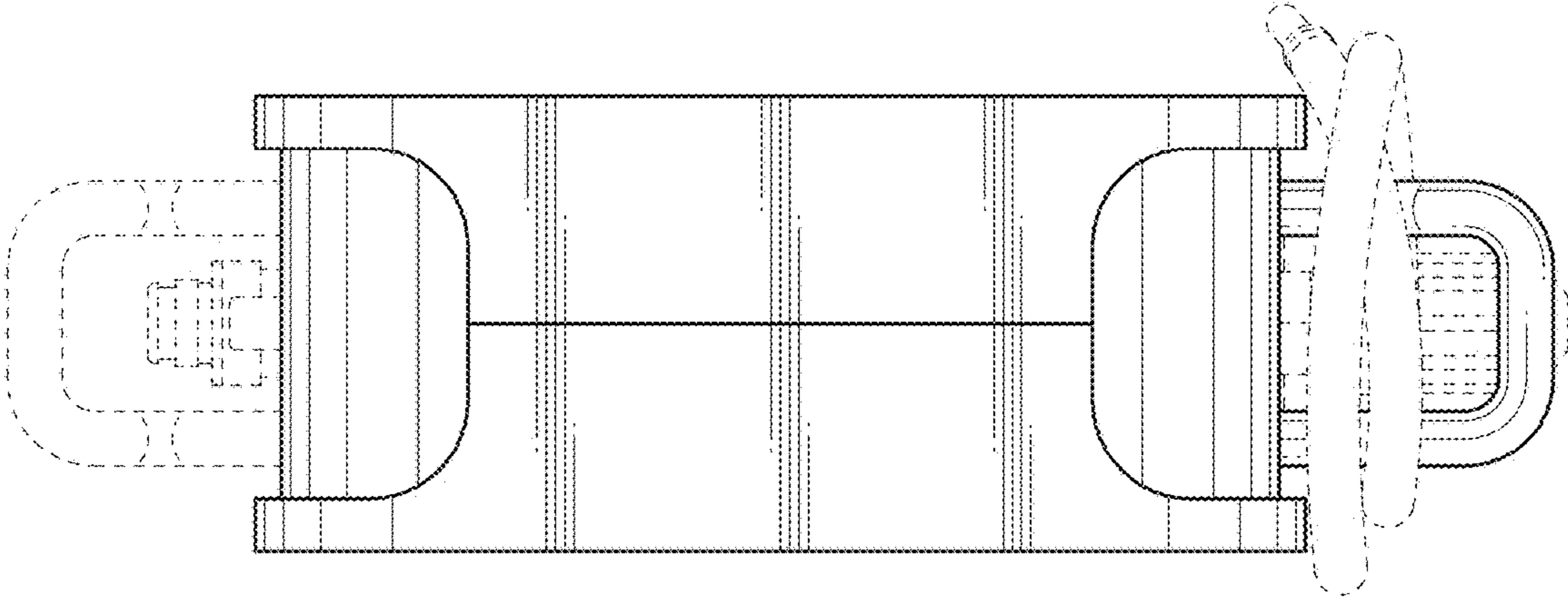
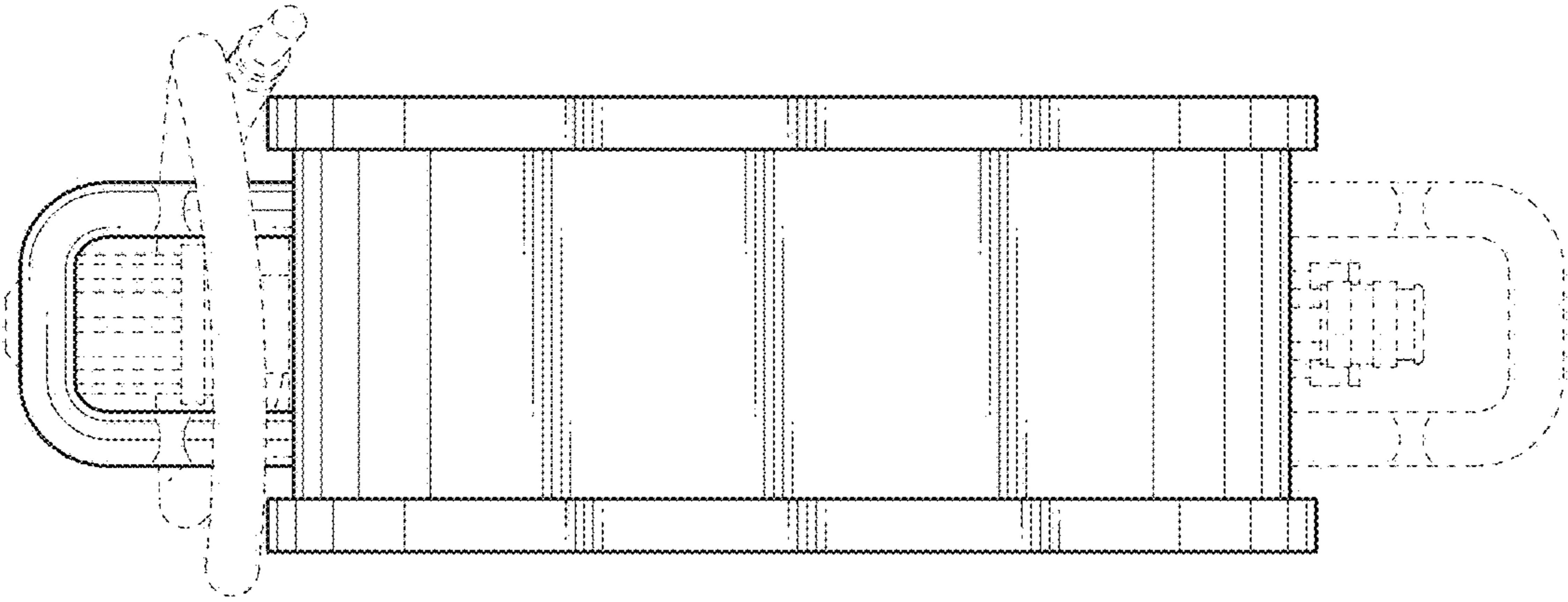


FIG. 5

FIG. 6



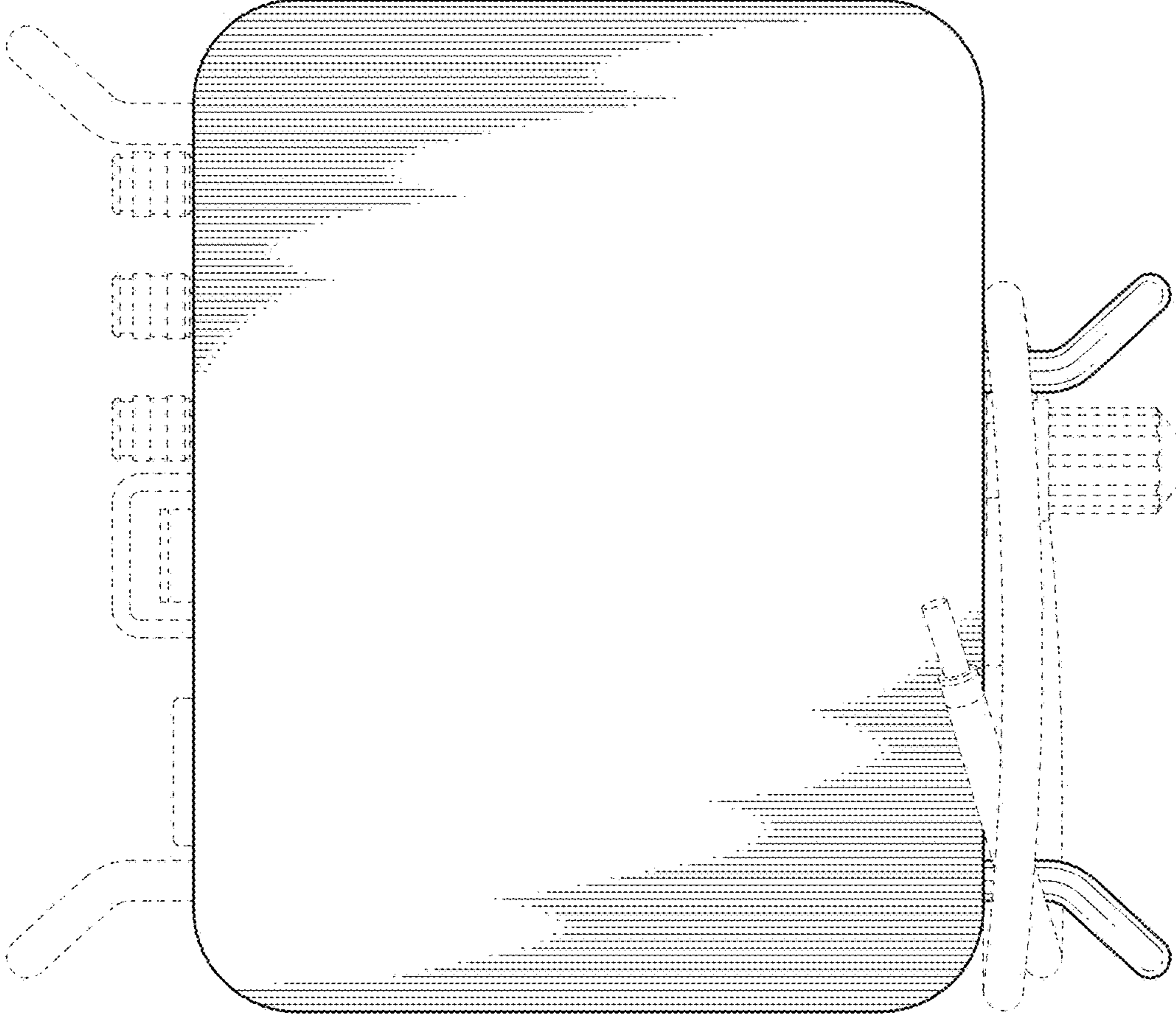


FIG. 7

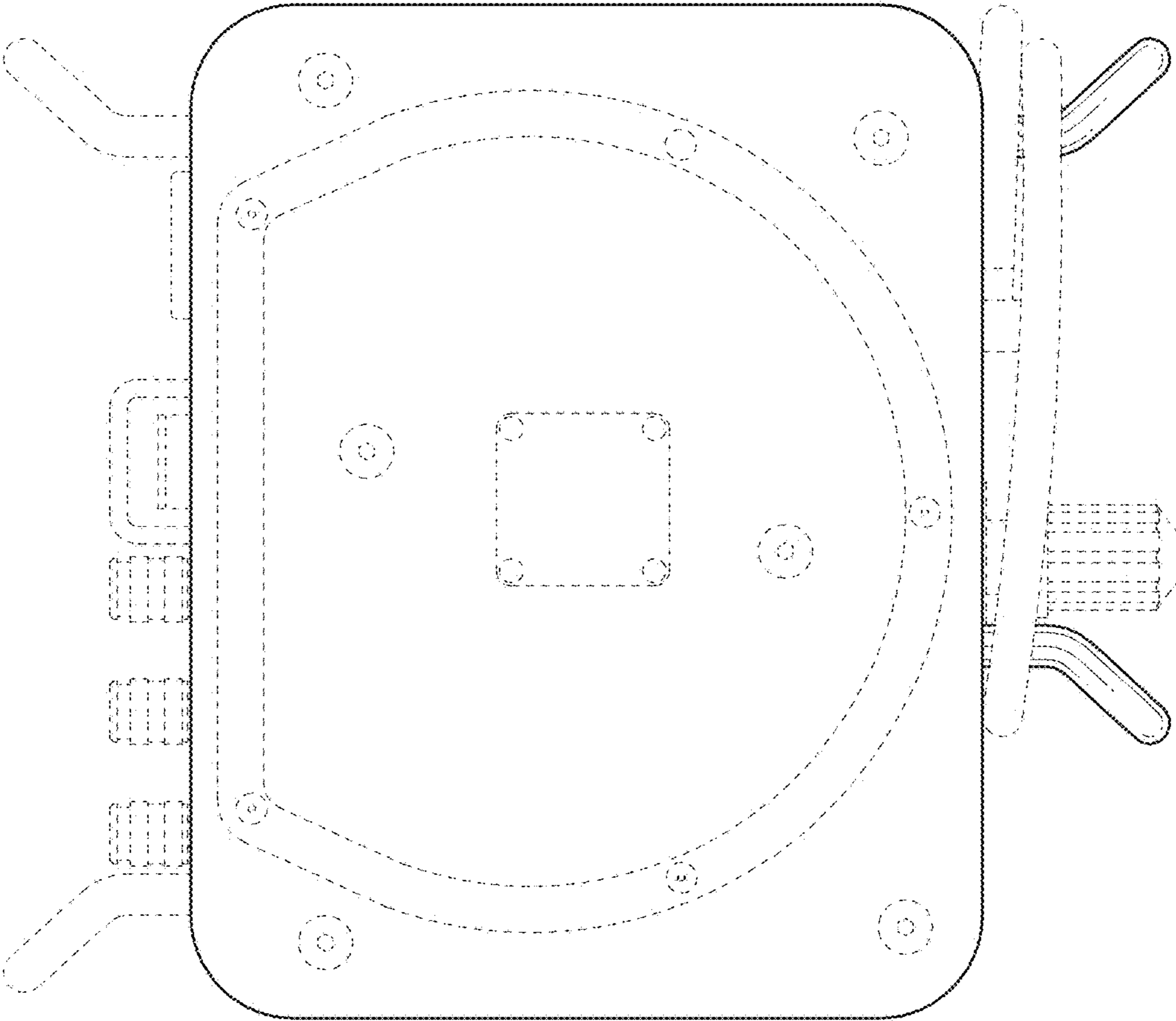


FIG. 8