



US00D840931S

(12) **United States Design Patent**  
**Nishimura**

(10) **Patent No.:** **US D840,931 S**

(45) **Date of Patent:** **\*\* Feb. 19, 2019**

(54) **WIRELESS POWER TRANSFER DEVICE**

6,069,797 A \* 5/2000 Widmayer ..... H04N 7/104  
174/559

(71) Applicant: **IHI CORPORATION**, Koto-ku, Tokyo  
(JP)

D611,900 S \* 3/2010 Yang ..... D13/108

D702,654 S \* 4/2014 Lee ..... D13/182

D794,554 S \* 8/2017 Chang ..... D13/103

D794,644 S \* 8/2017 Bang ..... D14/435

(72) Inventor: **Kenji Nishimura**, Tokyo (JP)

\* cited by examiner

(73) Assignee: **IHI CORPORATION**, Tokyo (JP)

*Primary Examiner* — Rhea Shields

(\*\*) Term: **15 Years**

(74) *Attorney, Agent, or Firm* — Volpe and Koenig, P.C.

(21) Appl. No.: **29/634,724**

(22) Filed: **Jan. 24, 2018**

**Related U.S. Application Data**

(62) Division of application No. 35/501,452, filed on Mar. 2, 2016 (U.S. filing date under 35 U.S.C. 384), and having an international filing date of Mar. 2, 2016, now Pat. No. Des. 812,002.

(57) **CLAIM**

The ornamental design for a wireless power transfer device, as shown and described.

(30) **Foreign Application Priority Data**

Sep. 29, 2015 (JP) ..... 2015-021270

Sep. 29, 2015 (JP) ..... 2015-021271

Sep. 29, 2015 (JP) ..... 2015-021272

(51) **LOC (11) Cl.** ..... **13-02**

(52) **U.S. Cl.**

USPC ..... **D13/110**

(58) **Field of Classification Search**

USPC ..... D13/110, 108, 182, 103; D14/435;  
174/559; 290/1 A

CPC ..... G01H 1/0066; H02J 7/0042; H04N 7/104

See application file for complete search history.

**DESCRIPTION**

FIG. 1 is a front perspective view of a wireless power transfer device of the present invention.

FIG. 2 is a back perspective view of the wireless power transfer device of FIG. 1.

FIG. 3 is a front view of the wireless power transfer device of FIG. 1.

FIG. 4 is a back view of the wireless power transfer device of FIG. 1.

FIG. 5 is a top view of the wireless power transfer device of FIG. 1.

FIG. 6 is a bottom view of the wireless power transfer device of FIG. 1.

FIG. 7 is a left view of the wireless power transfer device of FIG. 1; and,

FIG. 8 is a right view of the wireless power transfer device of FIG. 1.

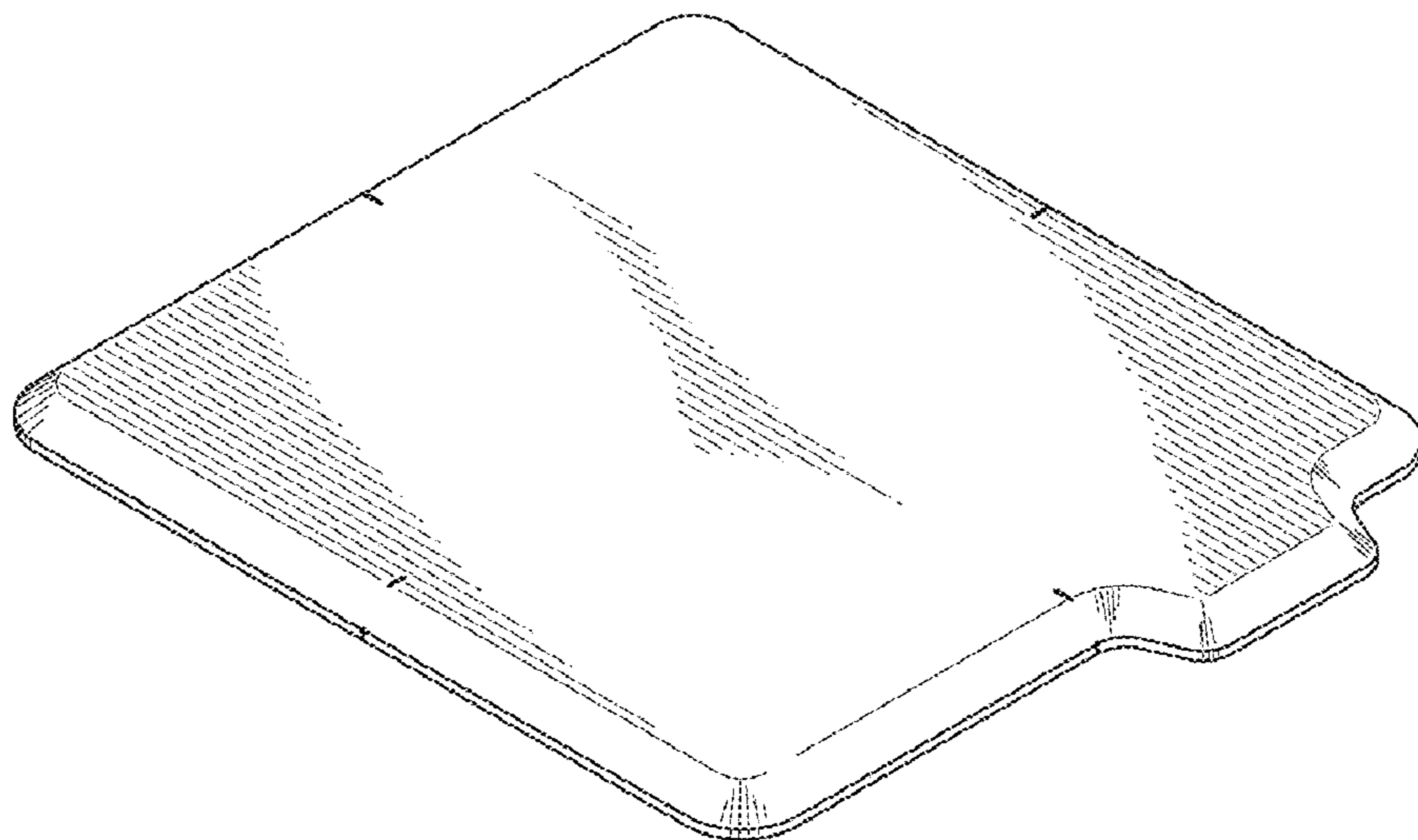
(56) **References Cited**

**U.S. PATENT DOCUMENTS**

5,606,143 A \* 2/1997 Young ..... G10H 1/0066  
348/E5.099

5,998,961 A \* 12/1999 Brown ..... H02J 7/0042  
290/1 A

**1 Claim, 8 Drawing Sheets**



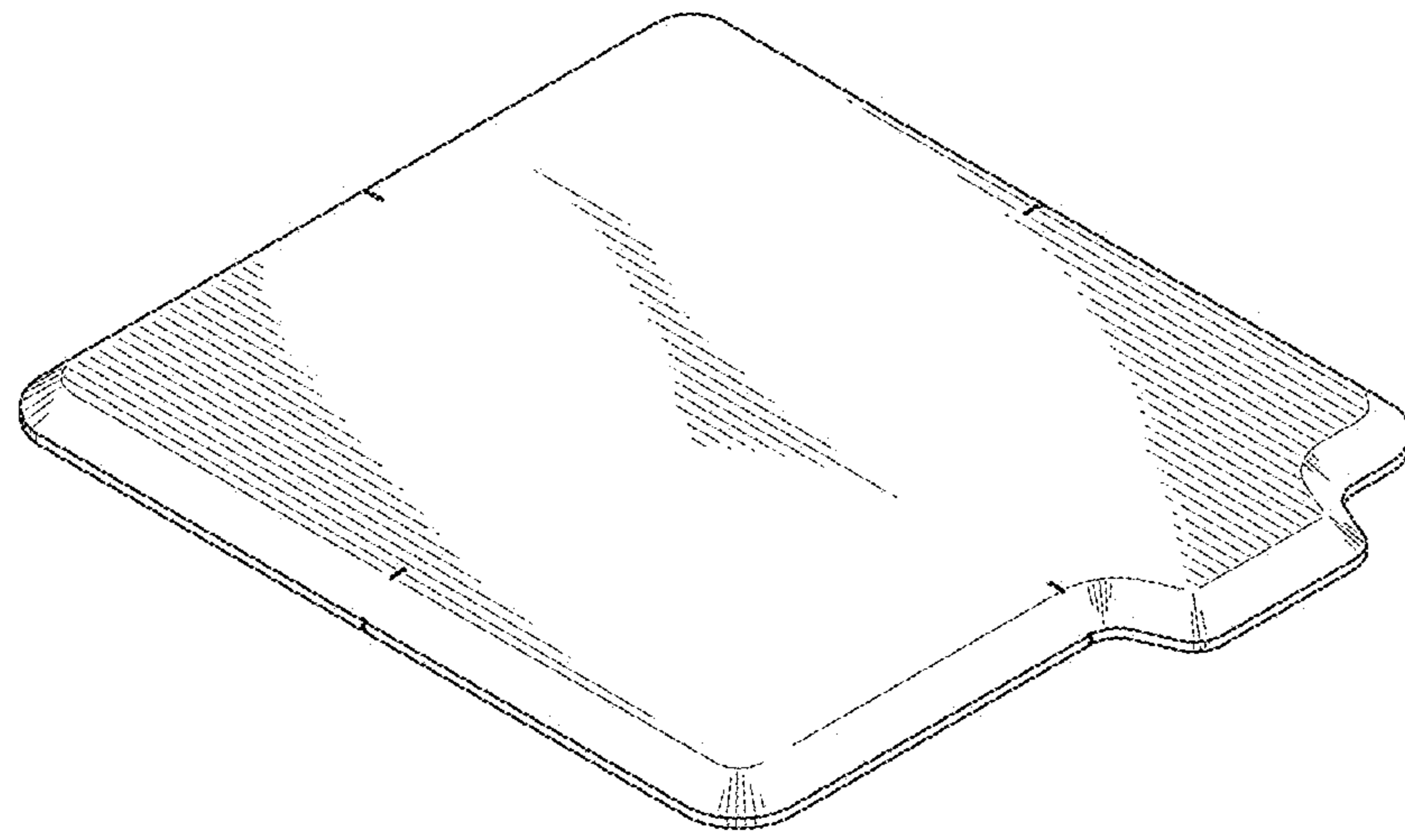


FIG. 1

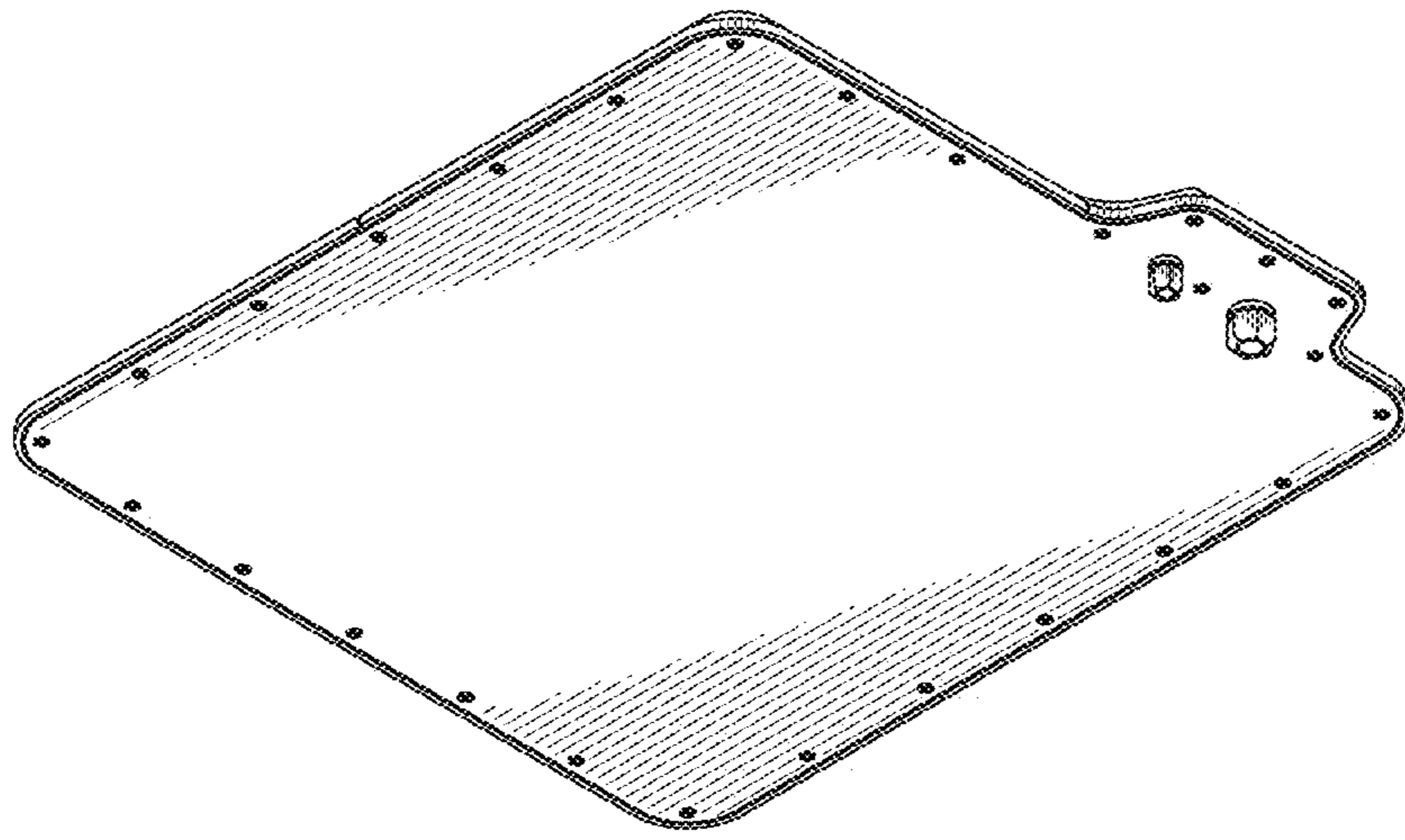


FIG. 2

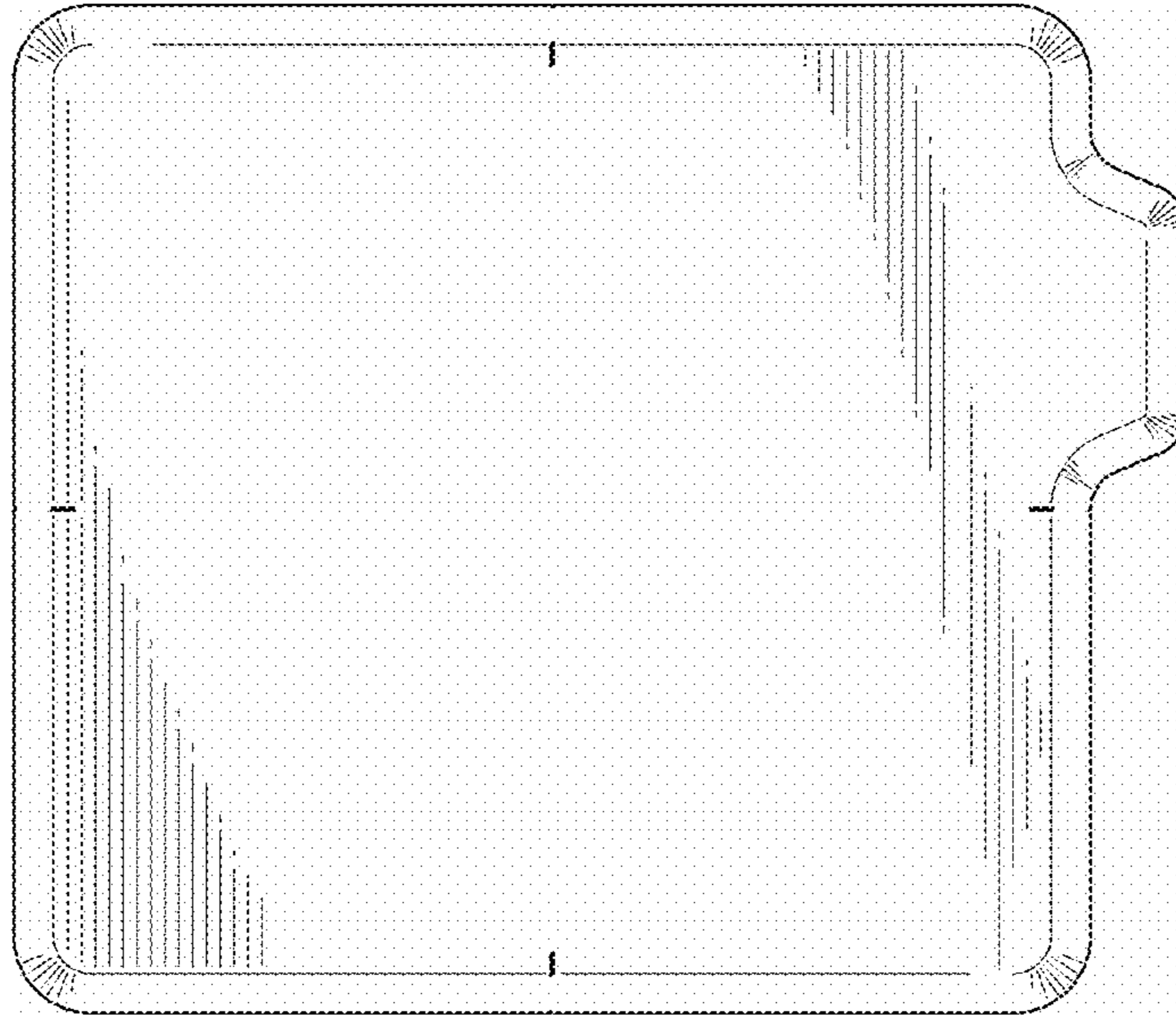


FIG. 3

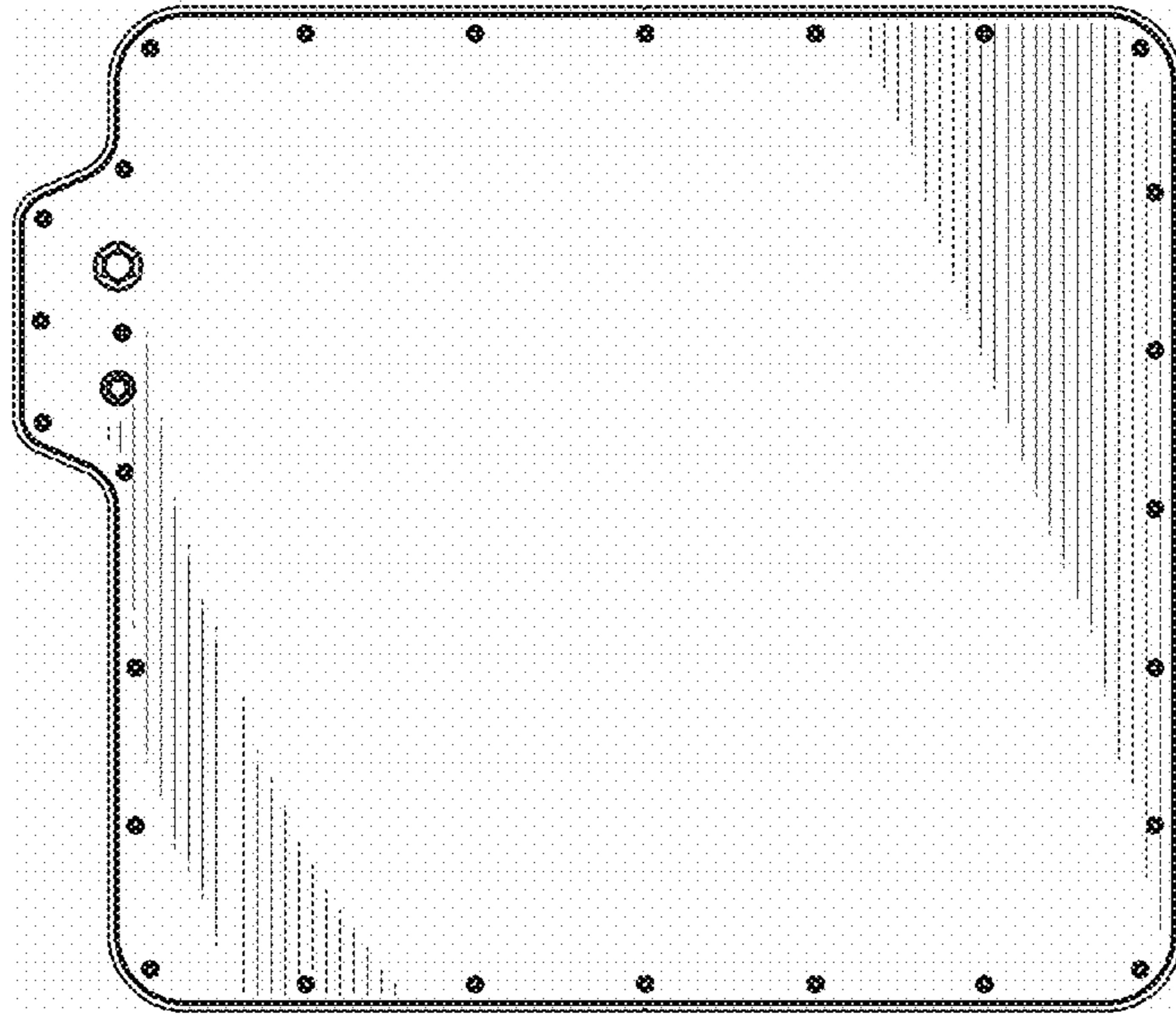


FIG. 4

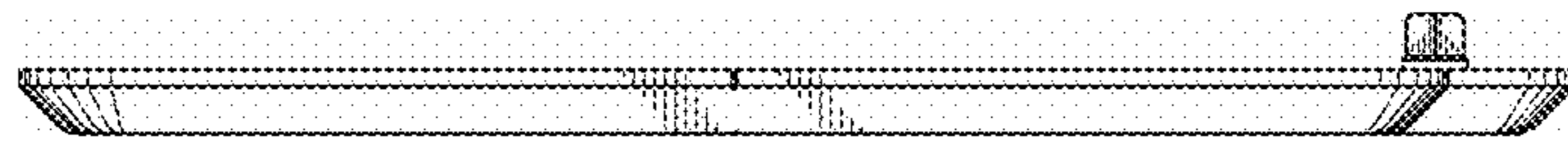


FIG. 5

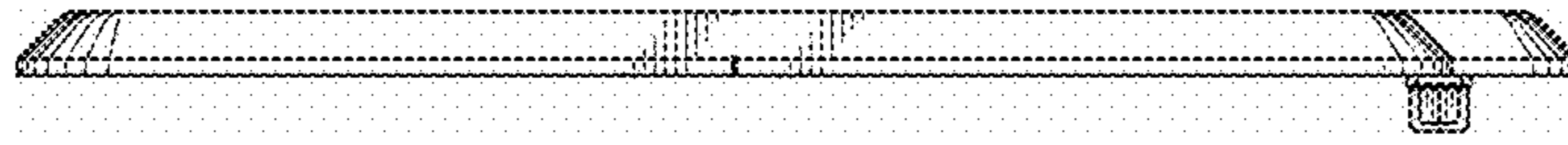


FIG. 6



FIG. 7



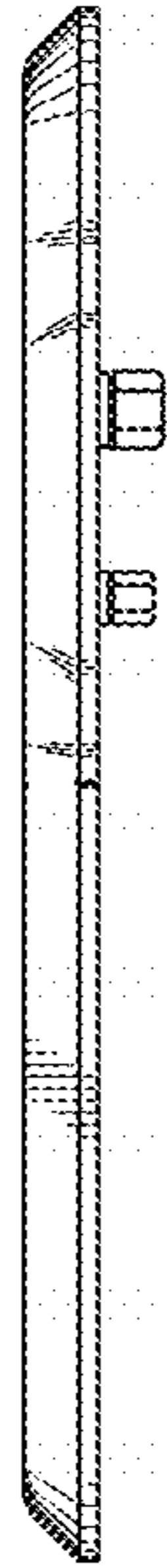


FIG. 8