

US00D840930S

(12) **United States Design Patent**  
**Lu**

(10) **Patent No.:** **US D840,930 S**

(45) **Date of Patent:** **\*\* Feb. 19, 2019**

(54) **TRIPLE COIL WIRELESS CHARGER**

(71) Applicant: **Shenzhen Aokehai Electronic Commerce Co., Ltd.**, Shenzhen (CN)

(72) Inventor: **Haizhuan Lu**, Shenzhen (CN)

(73) Assignee: **SHENZHEN AOKEHAI ELECTRONIC COMMERCE CO., LTD.**, Shenzhen (CN)

(\*\*) Term: **15 Years**

(21) Appl. No.: **29/613,522**

(22) Filed: **Aug. 10, 2017**

(51) **LOC (11) Cl.** ..... **13-02**

(52) **U.S. Cl.**  
USPC ..... **D13/108**

(58) **Field of Classification Search**  
USPC ..... D13/107-110, 118-119, 184; D14/251, D14/253, 432, 434  
CPC ..... Y02E 60/12; Y02T 90/14; Y02T 90/122; Y02T 90/128; Y02T 90/163; H02J 7/025; H02J 7/0042; H02J 7/0044; H02J 7/0045; H02J 7/0003; H01F 38/14; H01R 13/6675; H01M 2/1022; H01M 2/1055; H01M 10/44; H01M 10/46; H01M 10/425; B60L 11/182

See application file for complete search history.

(56) **References Cited**

**U.S. PATENT DOCUMENTS**

D549,707 S \* 8/2007 Depay ..... D14/434  
D623,641 S \* 9/2010 Harden ..... D14/253

D638,019 S \* 5/2011 Weisshaupt ..... D14/434  
D640,249 S \* 6/2011 Choi ..... D14/253  
D649,153 S \* 11/2011 Symons ..... D14/447  
D662,082 S \* 6/2012 McManigal ..... D14/217  
D666,174 S \* 8/2012 Du ..... D14/217  
D672,783 S \* 12/2012 Robinson ..... D14/447  
D677,260 S \* 3/2013 Hong ..... D14/447  
D779,478 S \* 2/2017 Justiss ..... D14/253  
9,677,704 B1 \* 6/2017 Thelen ..... F16M 13/00  
D806,450 S \* 1/2018 Seong ..... D6/672  
D816,027 S \* 4/2018 Chen ..... D13/108

\* cited by examiner

*Primary Examiner* — Rosemary K Tarca

*Assistant Examiner* — Nathaniel D. Buckner

(74) *Attorney, Agent, or Firm* — Muncy, Geissler, Olds & Lowe, P.C.

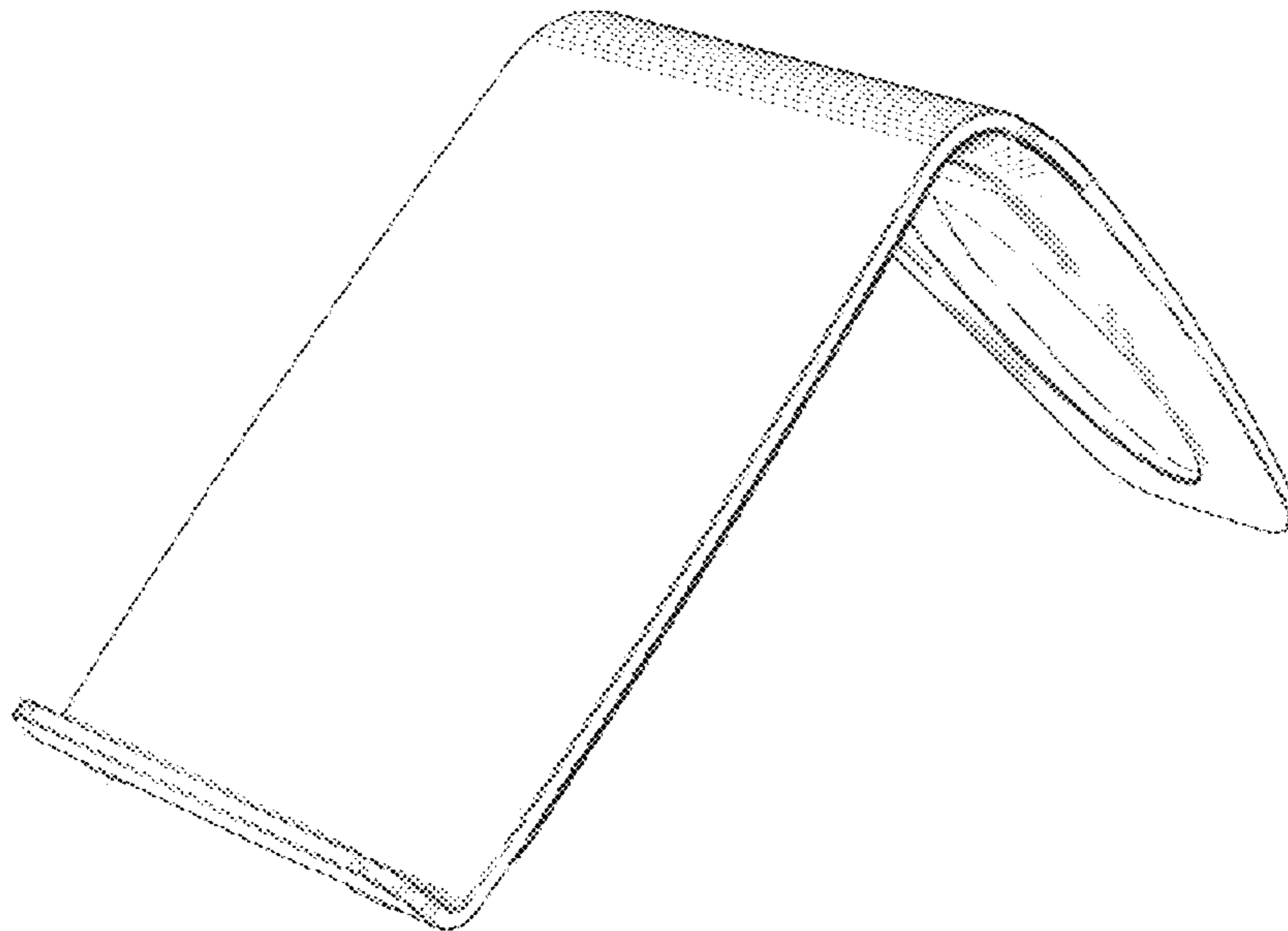
(57) **CLAIM**

The ornamental design for a triple coil wireless charger, as shown and described.

**DESCRIPTION**

FIG. 1 is a Front elevational view of a triple coil wireless charger showing my new design;  
FIG. 2 is a Rear elevational view thereof;  
FIG. 3 is a Left side view thereof;  
FIG. 4 is a Right side view thereof;  
FIG. 5 is a Top plan view thereof;  
FIG. 6 is a Bottom plan view thereof; and,  
FIG. 7 is a perspective view thereof.

**1 Claim, 7 Drawing Sheets**



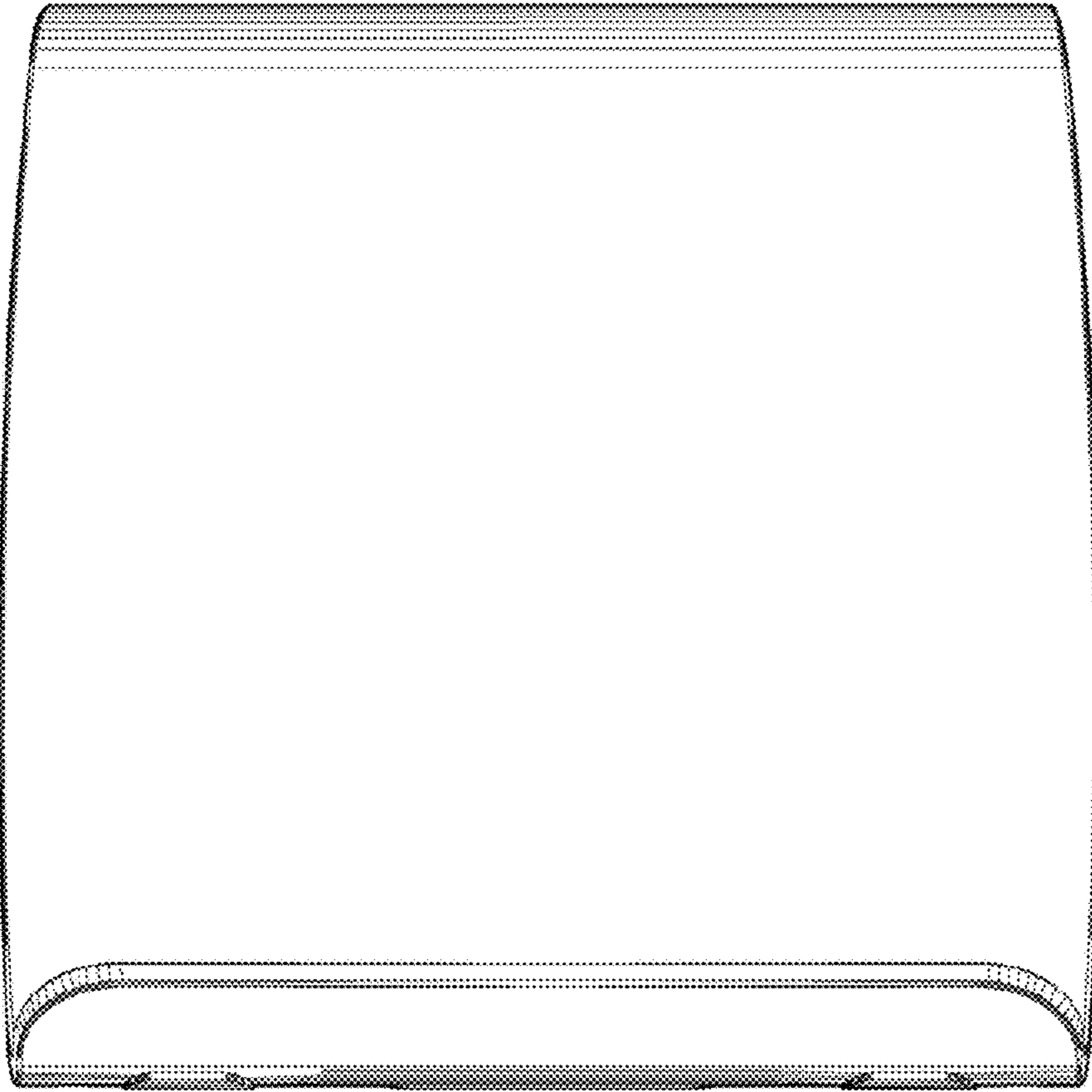


FIG. 1

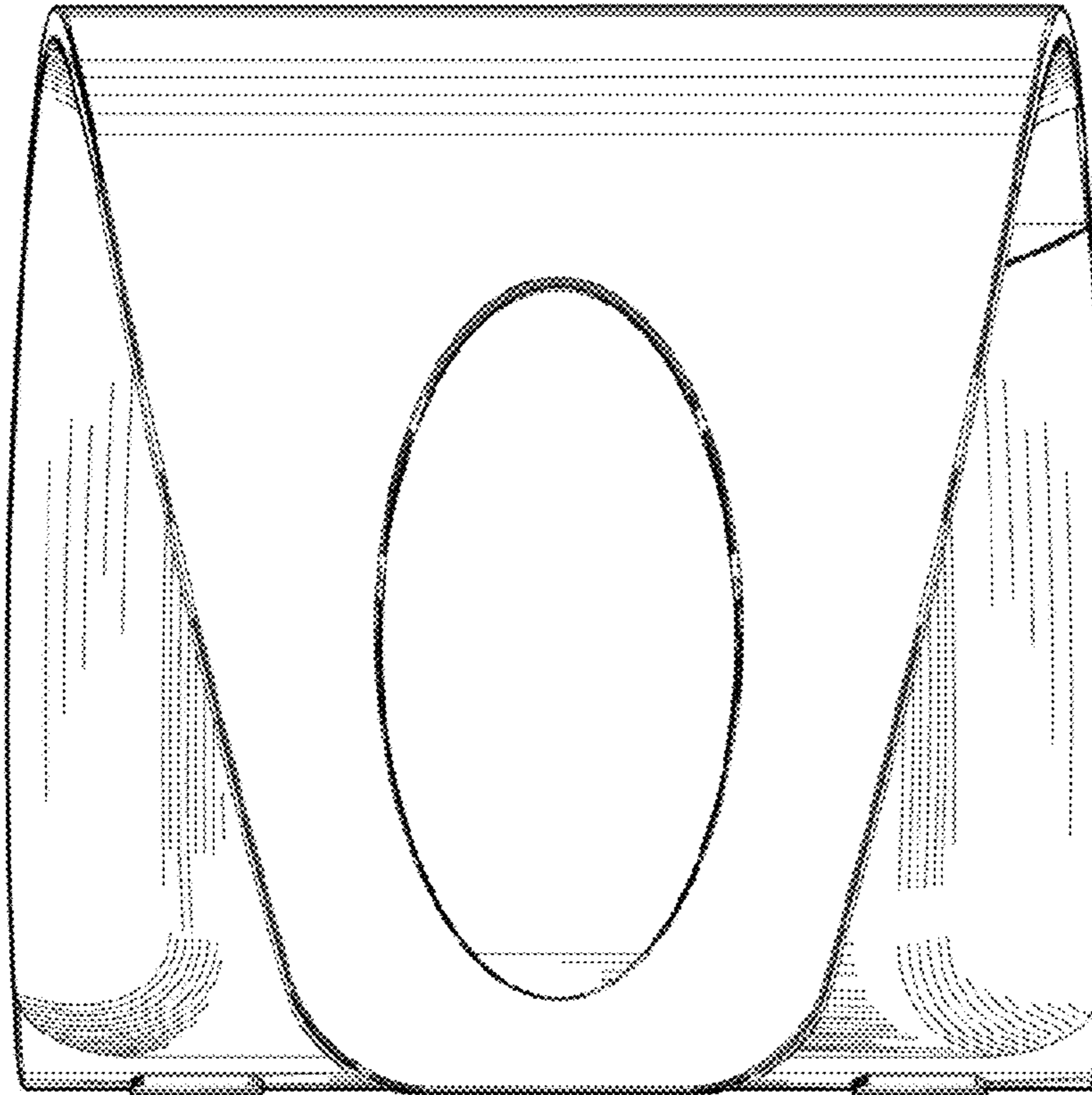


FIG. 2

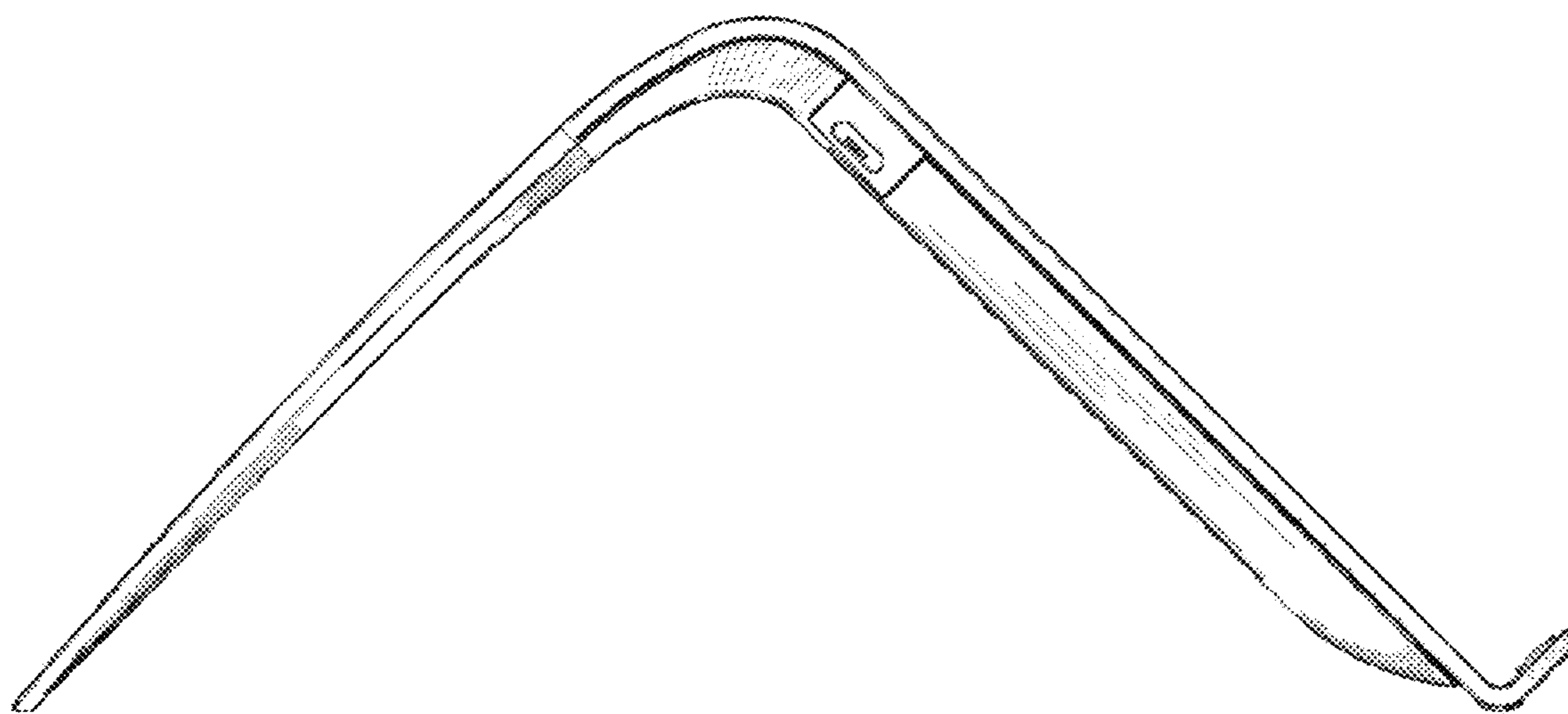


FIG. 3

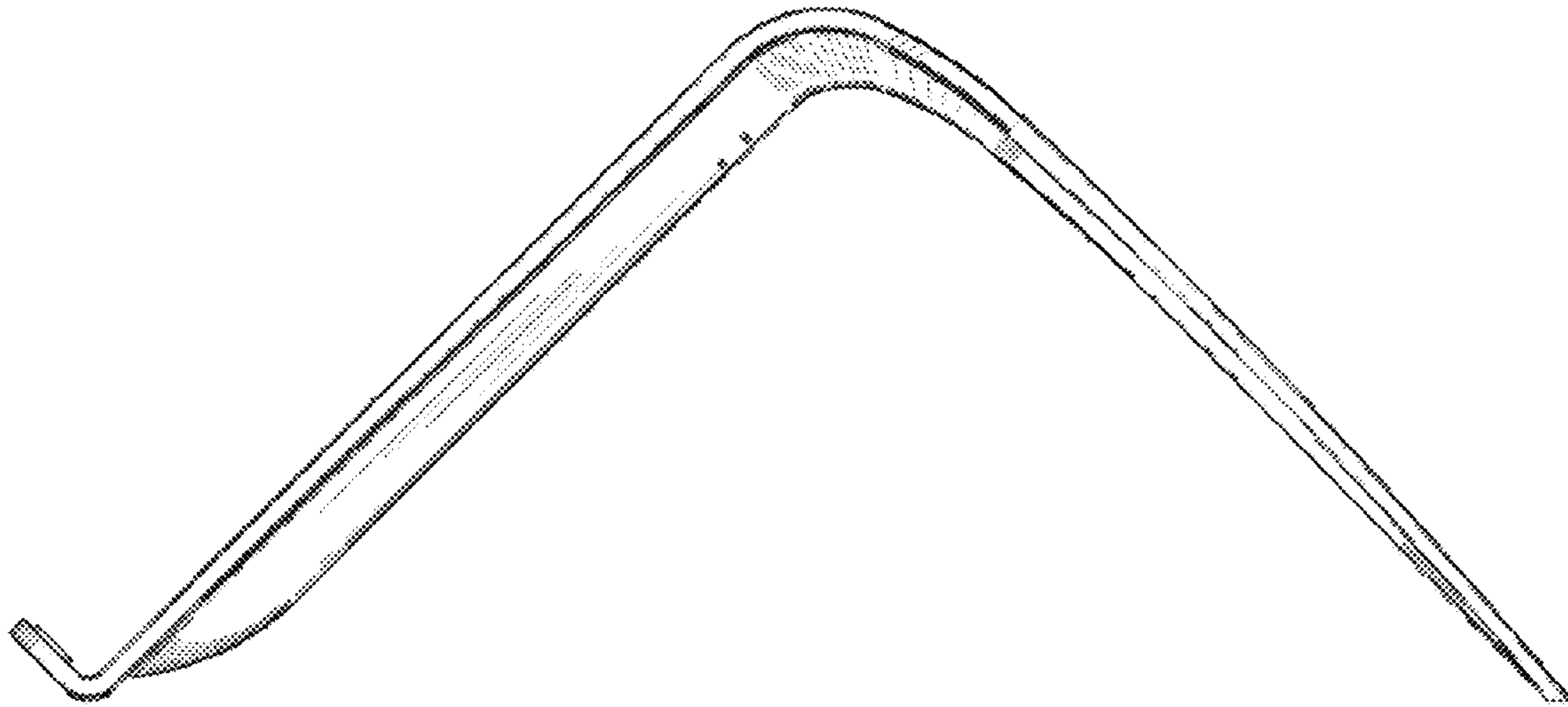


FIG. 4

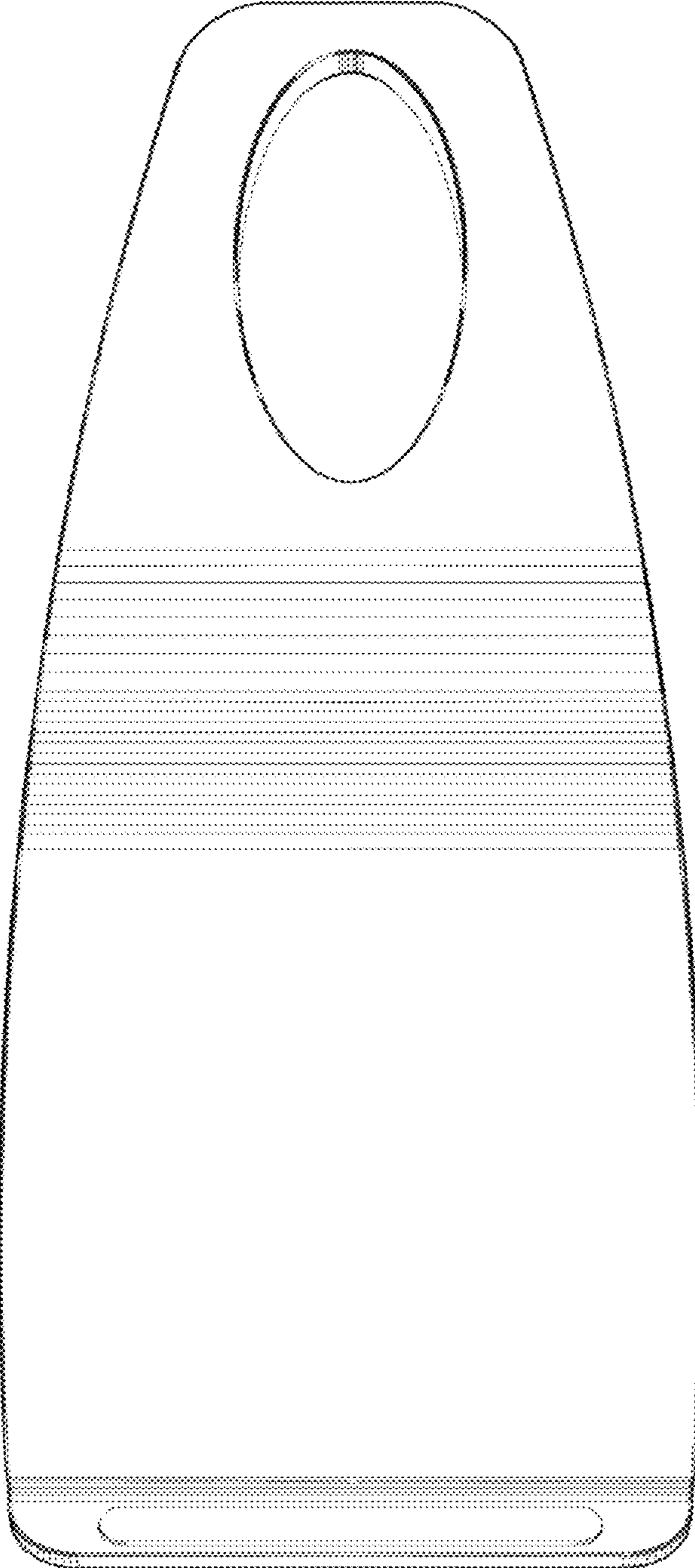


FIG. 5

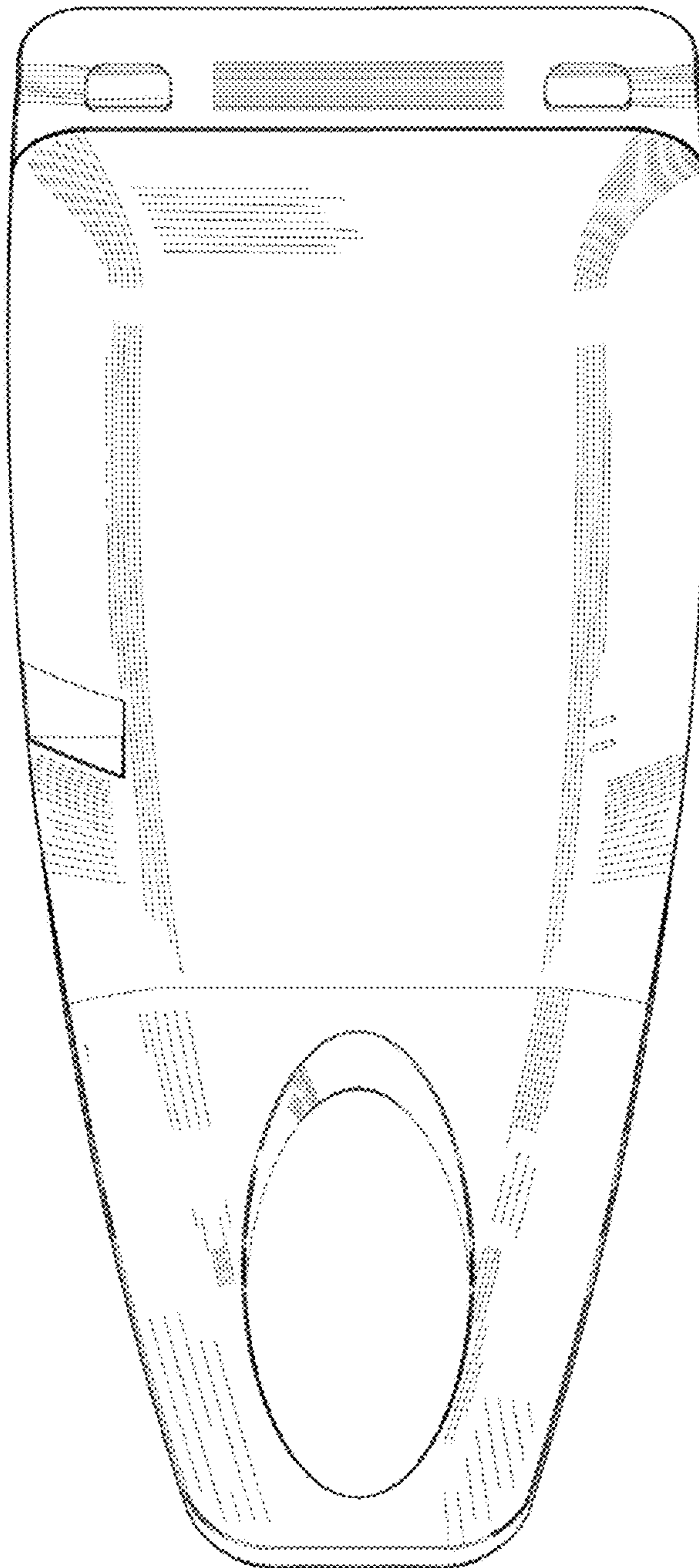


FIG. 6

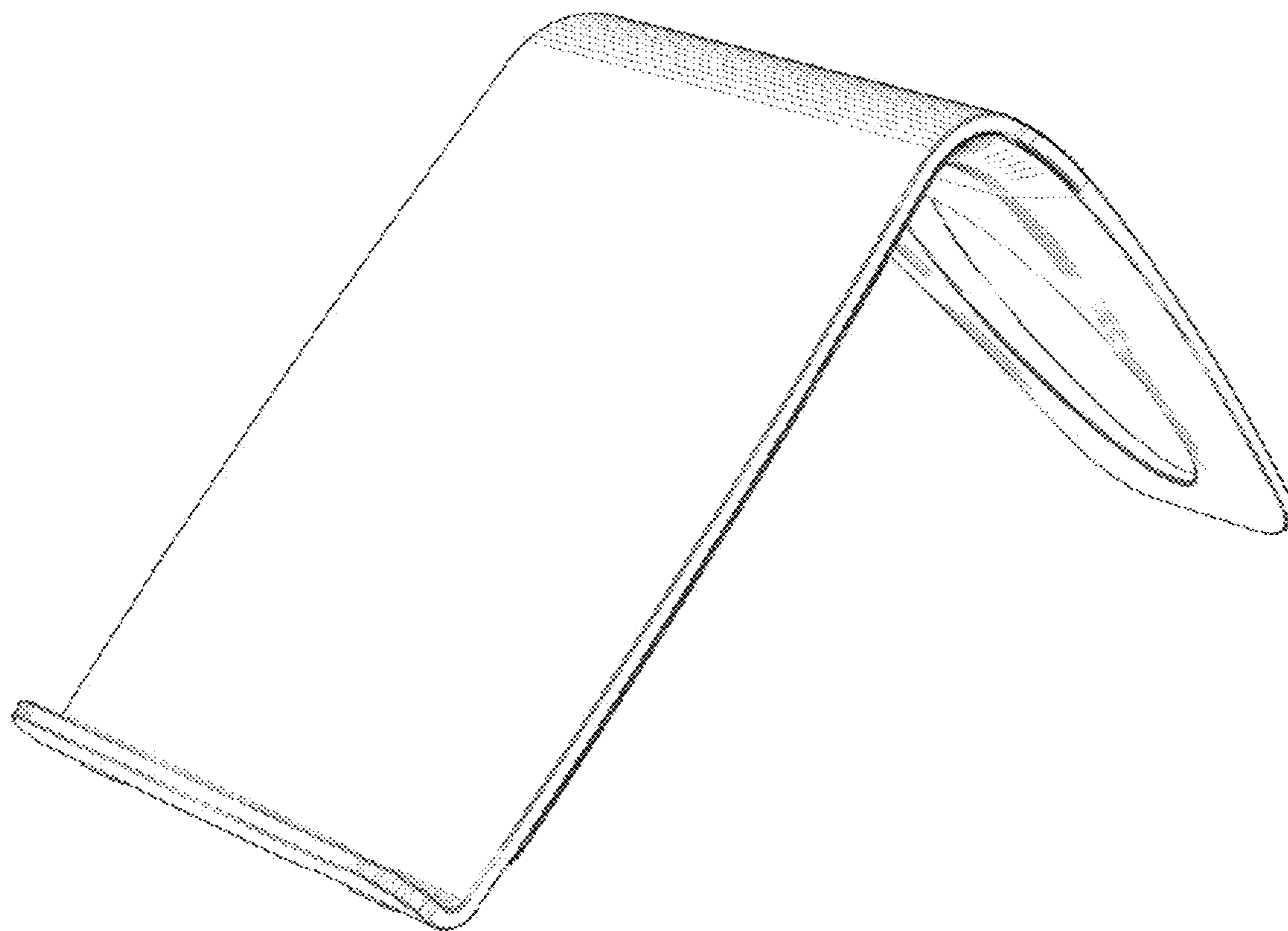


FIG. 7