

US00D840929S

(12) **United States Design Patent** (10) **Patent No.:** **US D840,929 S**
Pennington, Jr. et al. (45) **Date of Patent:** **** Feb. 19, 2019**

(54) **DOCK**
(71) Applicant: **Hewlett-Packard Development Company, L.P.**, Houston, TX (US)

6,843,012 B1 1/2005 Dodd
D528,657 S 9/2006 Adams
7,265,970 B2 9/2007 Jordan
(Continued)

(72) Inventors: **John William Pennington, Jr.**, Palo Alto, CA (US); **Daniel Yoon**, Palo Alto, CA (US); **Ivy Tseng**, Palo Alto, CA (US); **Insun Hong**, Houston, TX (US); **Glenn A. Wong**, Redwood City, CA (US); **Kevin L. Massaro**, Houston, TX (US)

OTHER PUBLICATIONS

<https://www.theverge.com/circuitbreaker/2017/6/6/15744586/hp-omen-x-compact-desktop-virtual-reality-backpack-pc>; dated Jun. 6, 2017, 6 pages.

(Continued)

(73) Assignee: **Hewlett-Packard Development Company, L.P.**, Houston, TX (US)

Primary Examiner — Rosemary K Tarcza
Assistant Examiner — Nathaniel D. Buckner
(74) *Attorney, Agent, or Firm* — Morgan Lewis & Bockius

(**) Term: **15 Years**

(57) **CLAIM**

(21) Appl. No.: **29/612,523**

The ornamental design for a dock, as shown and described.

(22) Filed: **Aug. 1, 2017**

DESCRIPTION

(51) **LOC (11) Cl.** **13-02**

(52) **U.S. Cl.**
USPC **D13/108**

(58) **Field of Classification Search**
USPC D13/107–110, 118–119, 184; D14/251, D14/253, 432, 434
CPC Y02E 60/12; Y02T 90/14; Y02T 90/122; Y02T 90/128; Y02T 90/163; H02J 7/025; H02J 7/0042; H02J 7/0044; H02J 7/0045; H02J 7/0003; H01F 38/14; H01R 13/6675; H01M 2/1022; H01M 2/1055; H01M 10/44; H01M 10/46; H01M 10/425; B60L 11/182

See application file for complete search history.

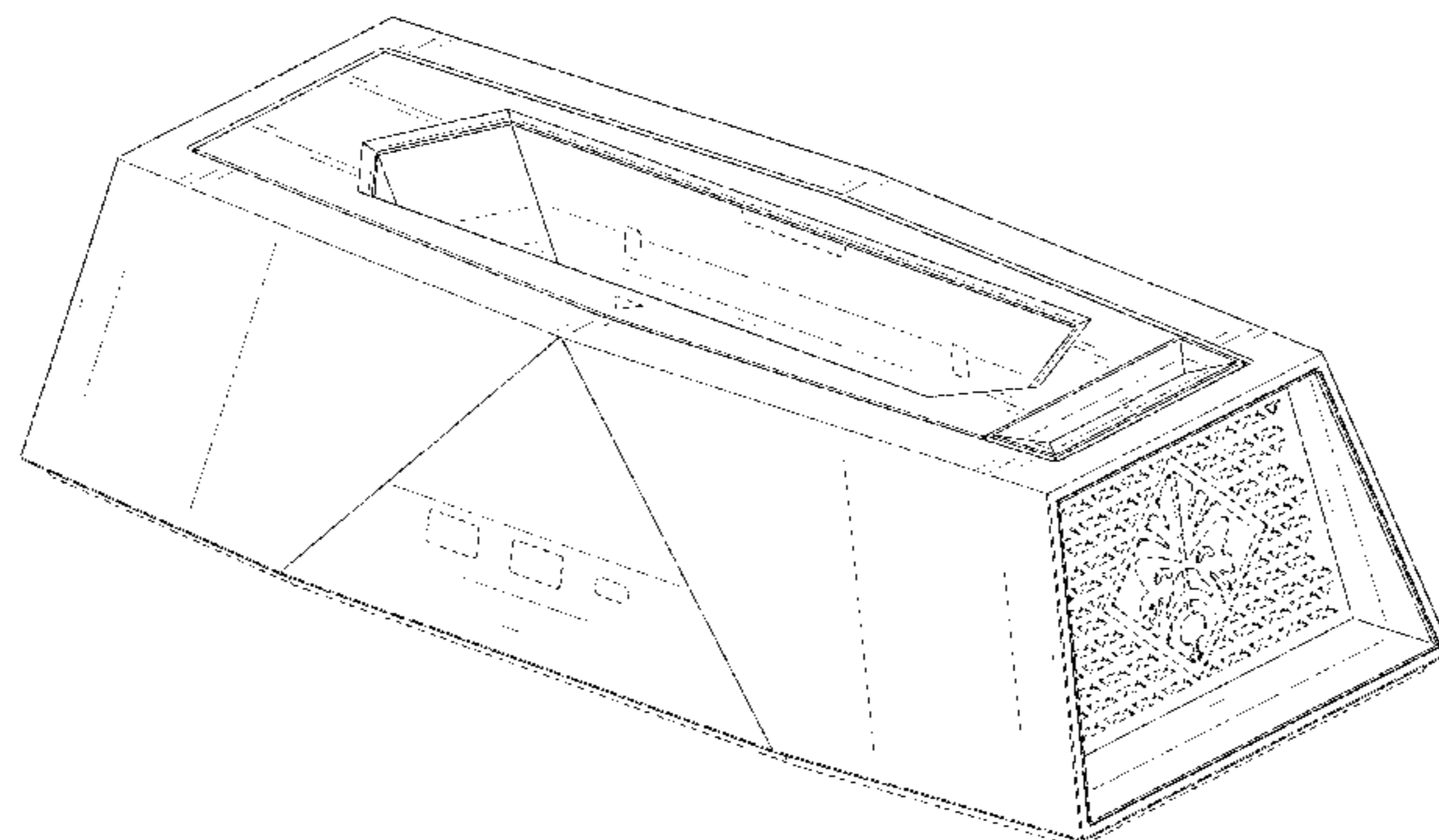
FIG. 1 is a front, right, top perspective view of a dock showing our new design;
FIG. 2 is a front, right, bottom perspective view of the dock shown in FIG. 1;
FIG. 3 is a front elevational view of the dock shown in FIG. 1;
FIG. 4 is a rear elevational view of the dock shown in FIG. 1;
FIG. 5 is a left-side elevational view of the dock shown in FIG. 1;
FIG. 6 is a right-side elevational view of the dock shown in FIG. 1;
FIG. 7 is a top plan view of the dock shown in FIG. 1; and, FIG. 8 is a bottom plan view of the dock shown in FIG. 1. The broken lines immediately adjacent to solid lines represent the bounds of the claimed design and form no part thereof. All other broken lines in the figures depict portions of the dock which form no part of the claimed design.

(56) **References Cited**

U.S. PATENT DOCUMENTS

D351,133 S 10/1994 Jungels-Butler
D455,746 S 4/2002 Ronzani
6,529,372 B1 3/2003 Ng

1 Claim, 8 Drawing Sheets



(56)

References Cited

U.S. PATENT DOCUMENTS

D613,497 S 4/2010 Pho
 D638,831 S * 5/2011 Paradise D14/253
 D640,699 S 6/2011 McParland
 D660,794 S * 5/2012 Fahrendorff D13/108
 D666,200 S * 8/2012 Tien D14/434
 D667,403 S 9/2012 Maus
 D683,952 S 6/2013 Bettauer
 D685,323 S 7/2013 Szymanski
 8,896,992 B2 11/2014 Sherlock
 D732,241 S 6/2015 Couzyn
 D743,884 S * 11/2015 Kotaniemi D13/108
 D784,343 S * 4/2017 Chen D14/434
 D791,699 S * 7/2017 Watanabe D13/108
 D795,189 S * 8/2017 Skurdal D13/108
 D797,669 S * 9/2017 Chang D13/108
 D817,269 S * 5/2018 Sukphist D13/108

D817,874 S * 5/2018 Tsai D13/108
 D823,792 S * 7/2018 Komoni D13/107
 2003/0231166 A1 12/2003 Langlois
 2006/0113203 A1 6/2006 Daley
 2008/0043416 A1 2/2008 Narayan
 2009/0284908 A1 11/2009 Daley, III
 2013/0194729 A1 8/2013 Joe

OTHER PUBLICATIONS

<https://www.theverge.com/circuitbreaker/2017/6/6/15744586/hp-omen-x-compact-desktop> dated Jun. 6, 2017, 5 pages.
 Kastrenakes, Jacob, HP Fixed the Biggest Issue With Its VR Backpack PC and will sell it next month, https://www.theverge.com/circuitbreaker/2017/6/6/15744586/hp_omen_x_compact-desktop.

* cited by examiner

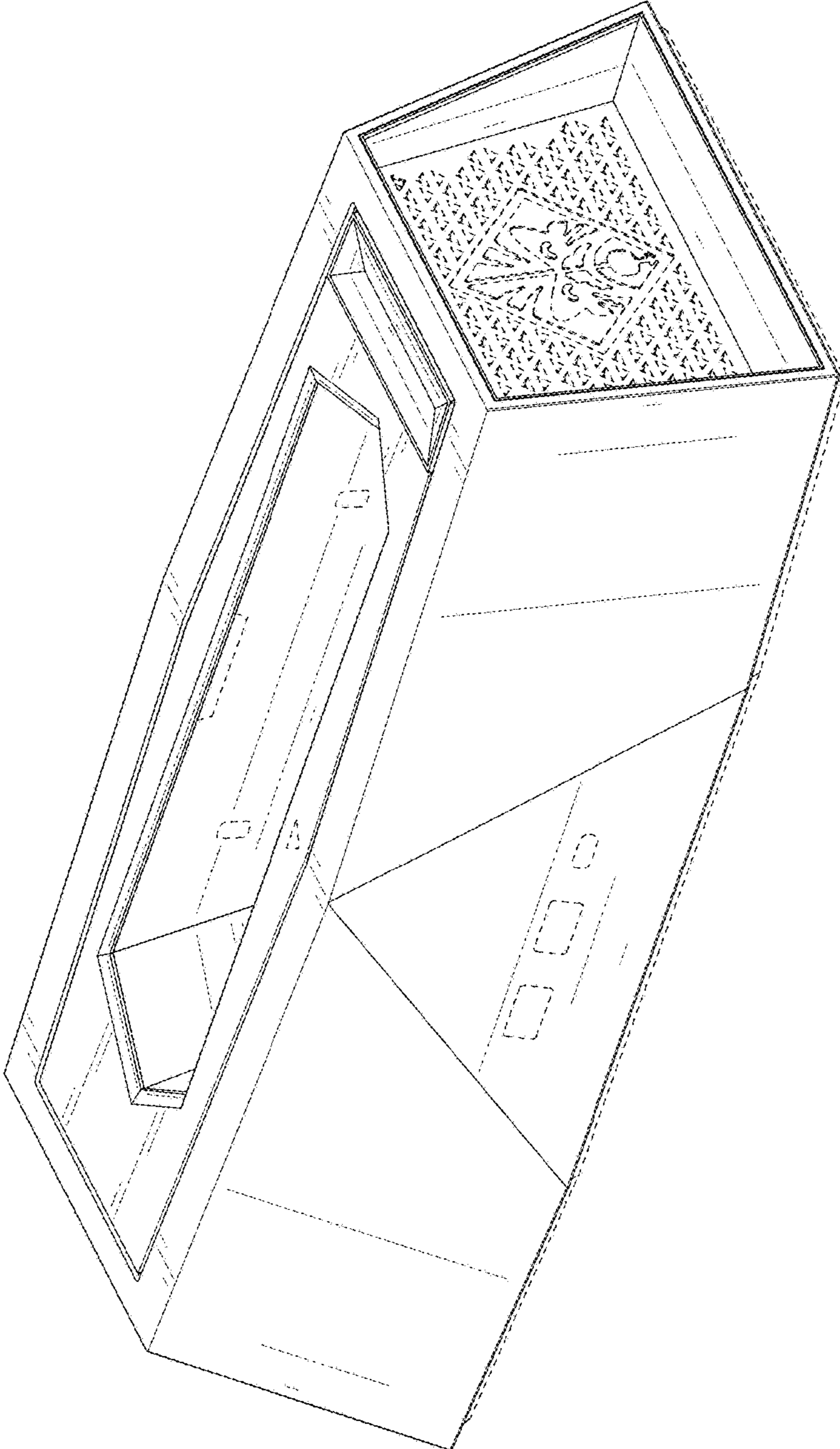


FIG. 1

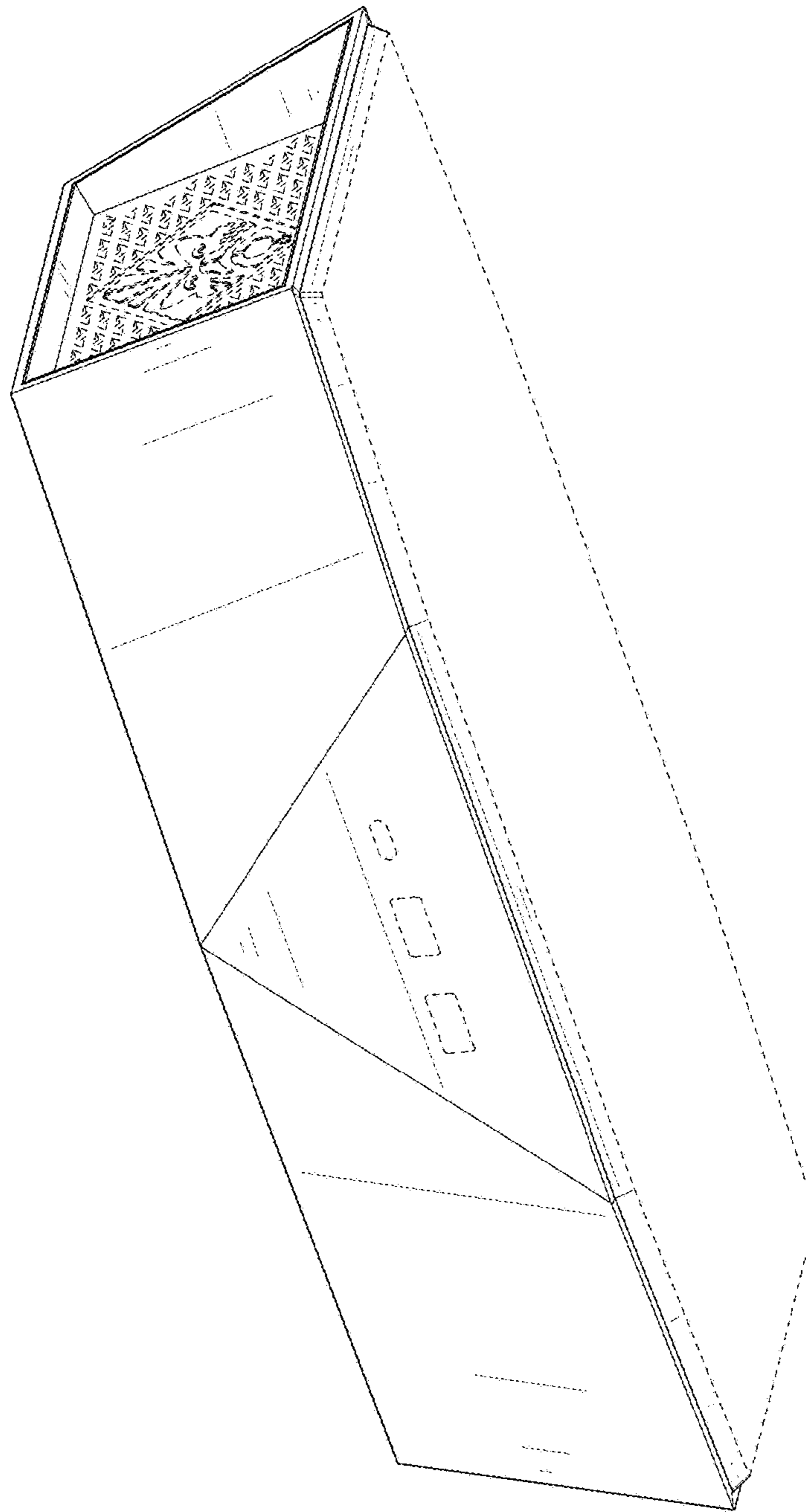


FIG. 2

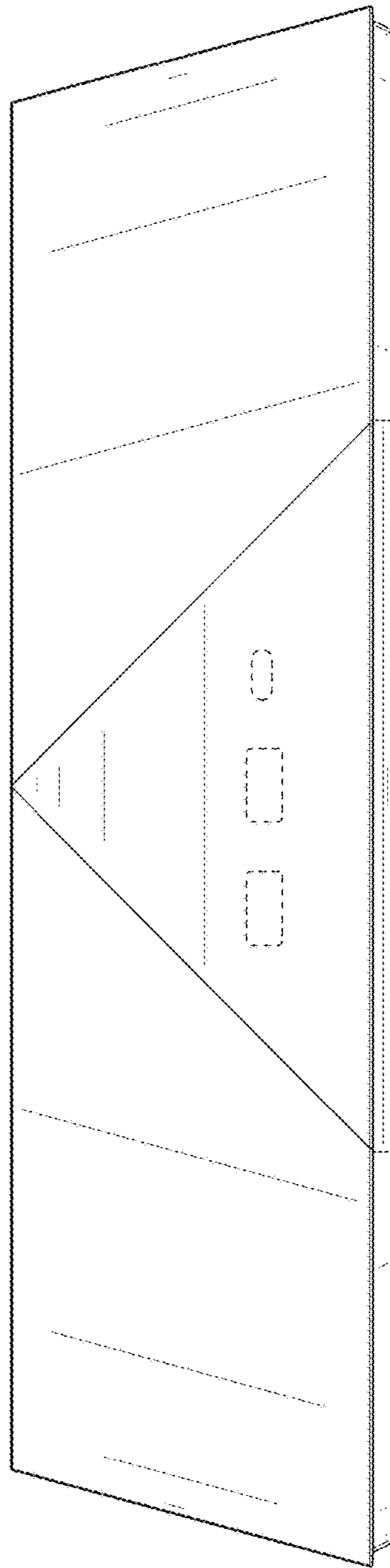


FIG. 3

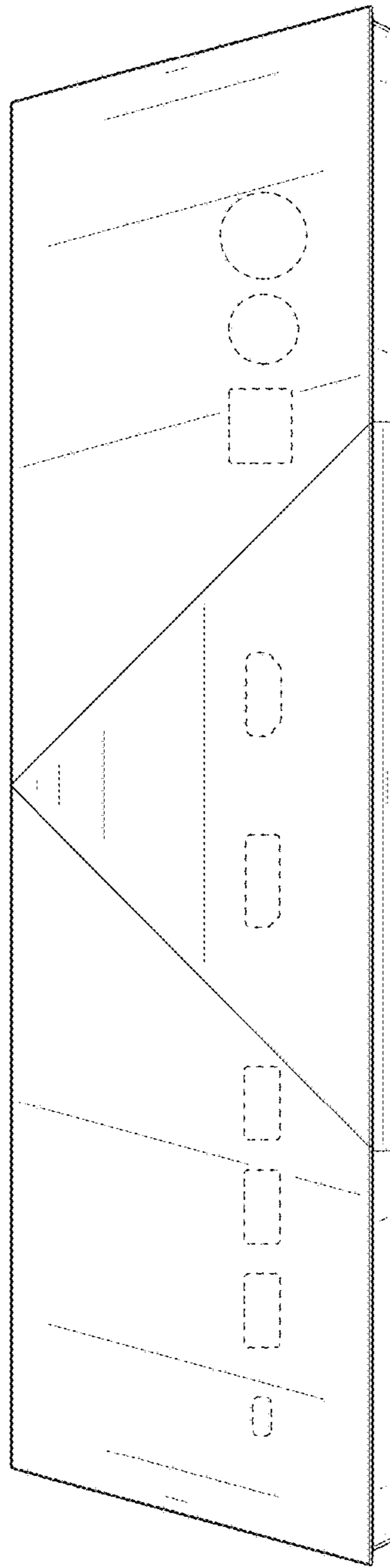


FIG. 4

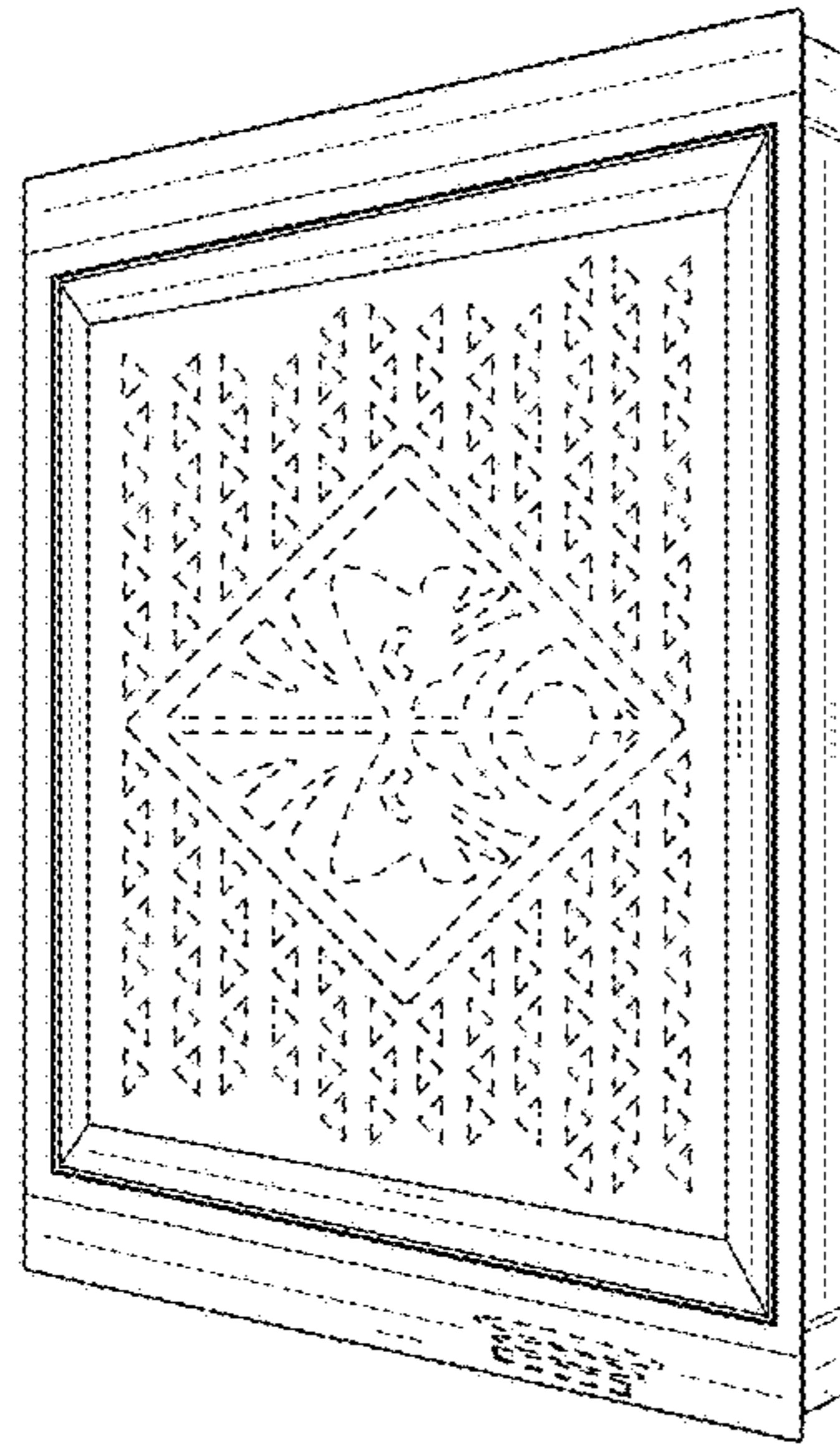


FIG. 5

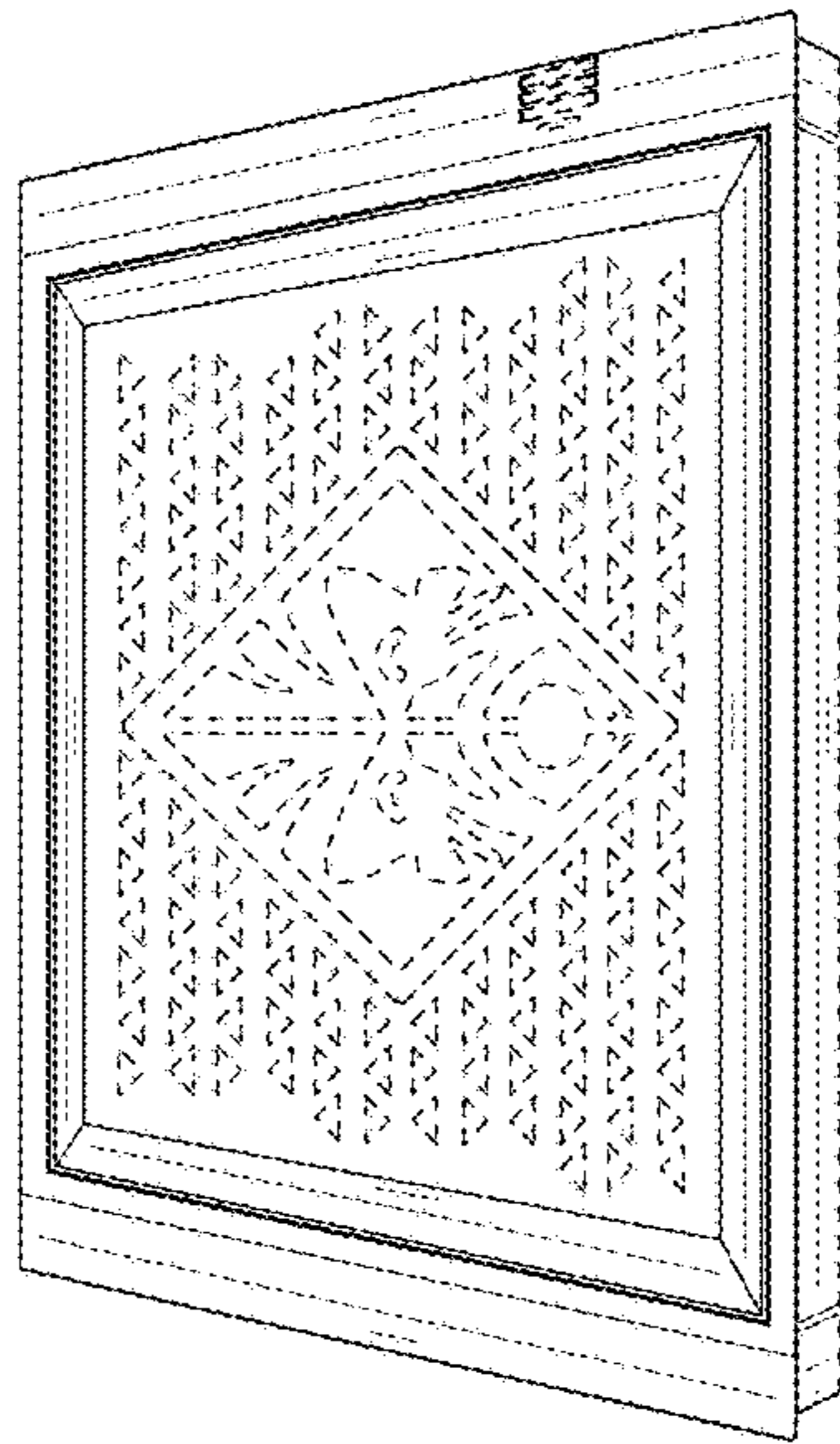


FIG. 6

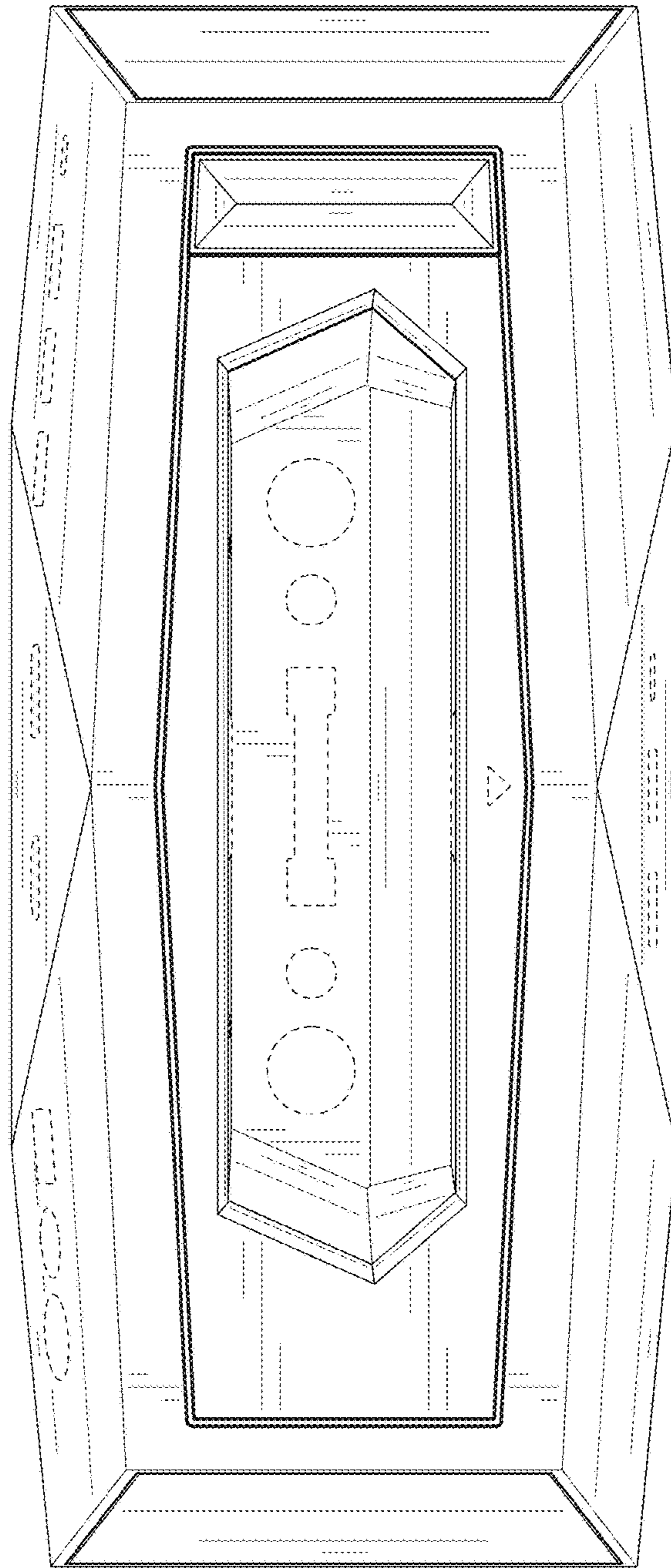


FIG. 7

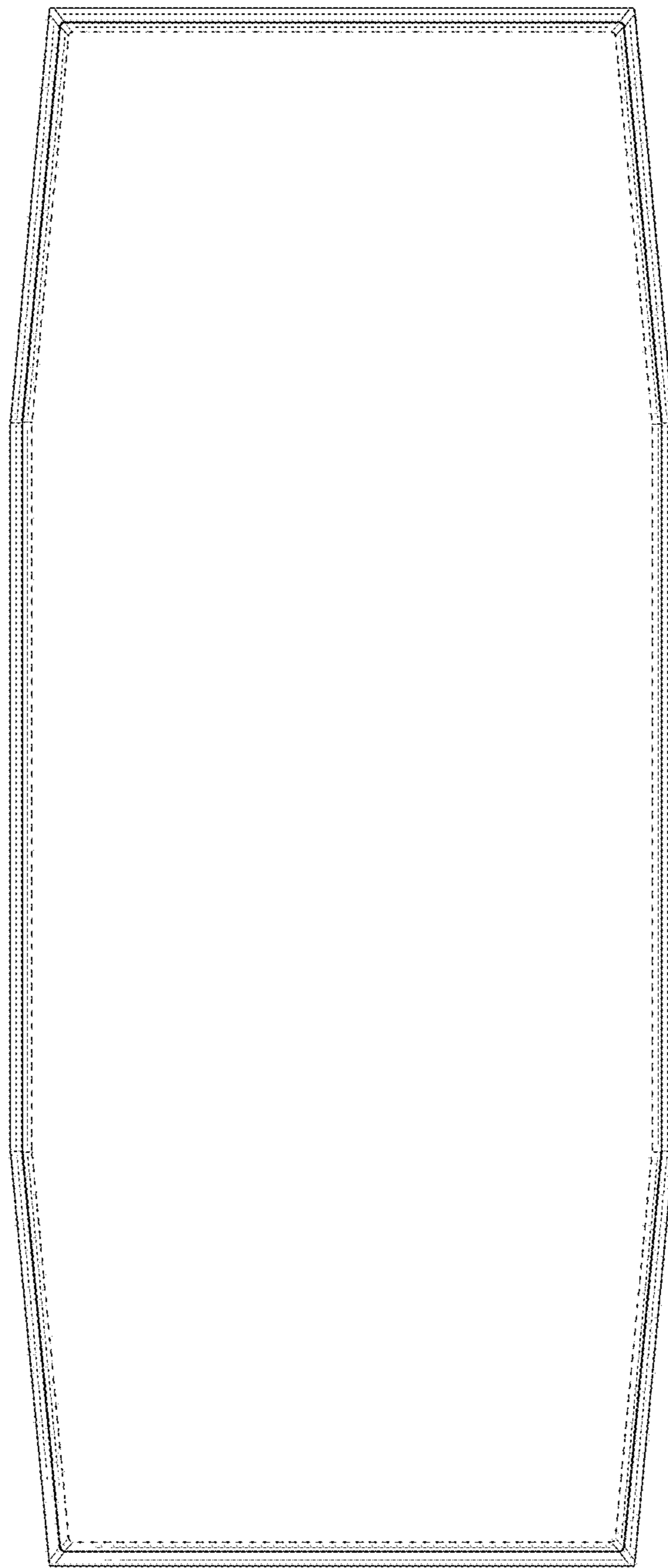


FIG. 8