



US00D840927S

(12) **United States Design Patent**
Inskeep et al.

(10) **Patent No.:** **US D840,927 S**

(45) **Date of Patent:** **** Feb. 19, 2019**

(54) **BATTERY CHARGER**

(71) Applicants: **Mathew Inskeep**, Highland Beach, FL
(US); **Ling To Shum**, Boca Raton, FL
(US)

(72) Inventors: **Mathew Inskeep**, Highland Beach, FL
(US); **Ling To Shum**, Boca Raton, FL
(US)

(**) Term: **15 Years**

(21) Appl. No.: **29/628,731**

(22) Filed: **Dec. 7, 2017**

(51) **LOC (11) Cl.** **13-02**

(52) **U.S. Cl.**
USPC **D13/107**

(58) **Field of Classification Search**
USPC D13/107-110, 118-119, 184; D14/251,
D14/253, 432, 434
CPC Y02E 60/12; Y02T 90/14; Y02T 90/122;
Y02T 90/128; Y02T 90/163; H02J 7/025;
H02J 7/0042; H02J 7/0044; H02J 7/0045;
H02J 7/0003; H01F 38/14; H01R
13/6675; H01M 2/1022; H01M 2/1055;
H01M 10/44; H01M 10/46; H01M
10/425; B60L 11/182
See application file for complete search history.

(56) **References Cited**

U.S. PATENT DOCUMENTS

5,019,767 A * 5/1991 Shirai H01M 2/105
224/902
D664,501 S * 7/2012 Inskeep D13/107

D693,295 S * 11/2013 Inskeep D13/107
D693,762 S * 11/2013 Inskeep D13/107
D694,180 S * 11/2013 Inskeep D13/107
D701,490 S * 3/2014 Inskeep D13/110
D755,121 S * 5/2016 Barajas D13/107
D761,203 S * 7/2016 Inskeep D13/110
D781,783 S * 3/2017 Inskeep D13/107
D814,406 S * 4/2018 Yang D13/107
D817,873 S * 5/2018 Inskeep D13/107
D823,800 S * 7/2018 Inskeep D13/110
2011/0187322 A1 * 8/2011 Inskeep H02J 7/00
320/109

* cited by examiner

Primary Examiner — Rosemary K Tarcza
Assistant Examiner — Nathaniel D. Buckner

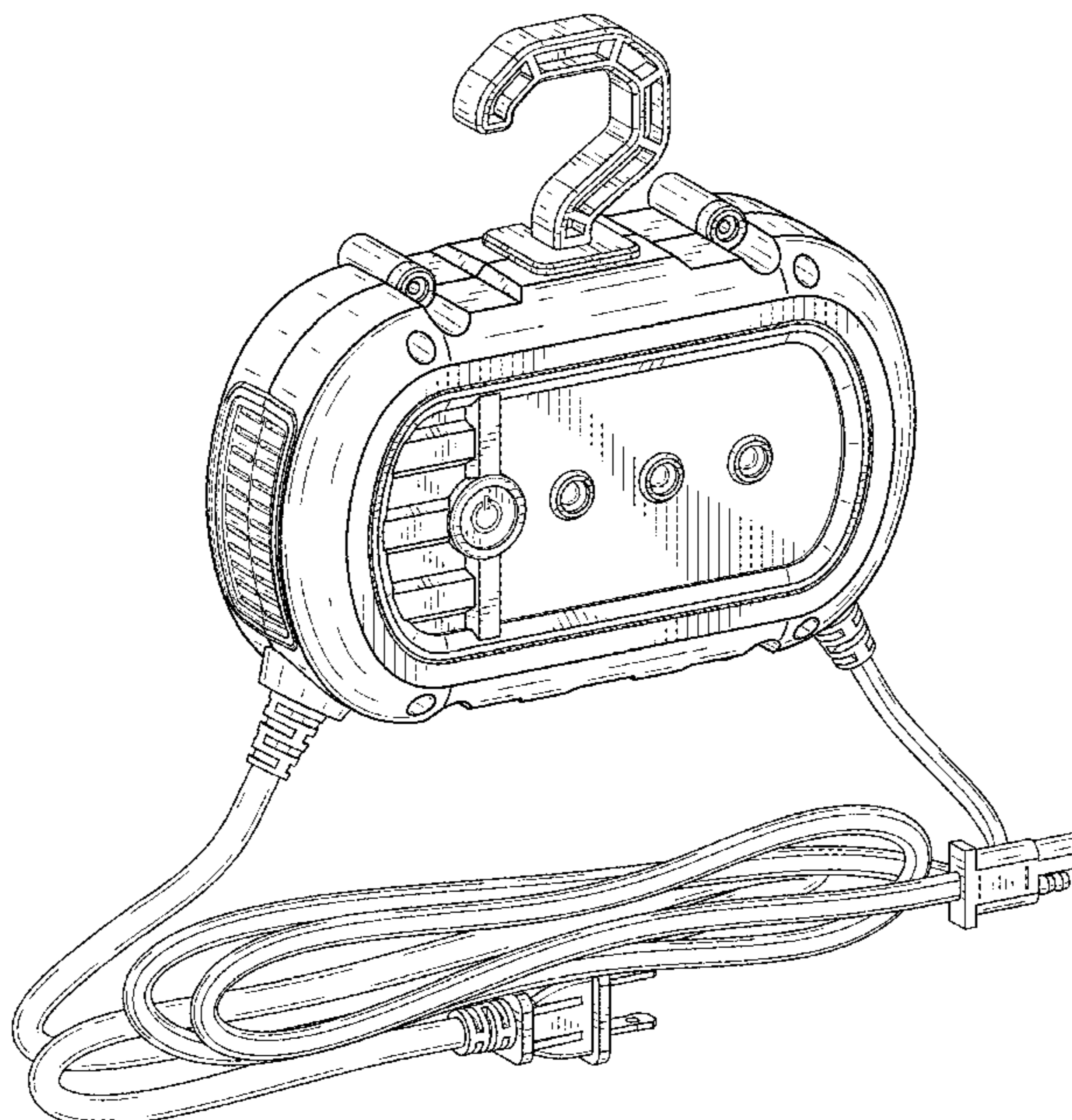
(57) **CLAIM**

The ornamental design for a battery charger, as shown and described.

DESCRIPTION

FIG. 1 is a top perspective view of a battery charger showing our new design;
FIG. 2 is a bottom perspective view thereof;
FIG. 3 is a back perspective view thereof;
FIG. 4 is a top view thereof;
FIG. 5 is a bottom view thereof;
FIG. 6 is a left side view thereof;
FIG. 7 is a right side view thereof; and
FIG. 8 is a front view thereof; and,
FIG. 9 is a back view thereof.

1 Claim, 9 Drawing Sheets



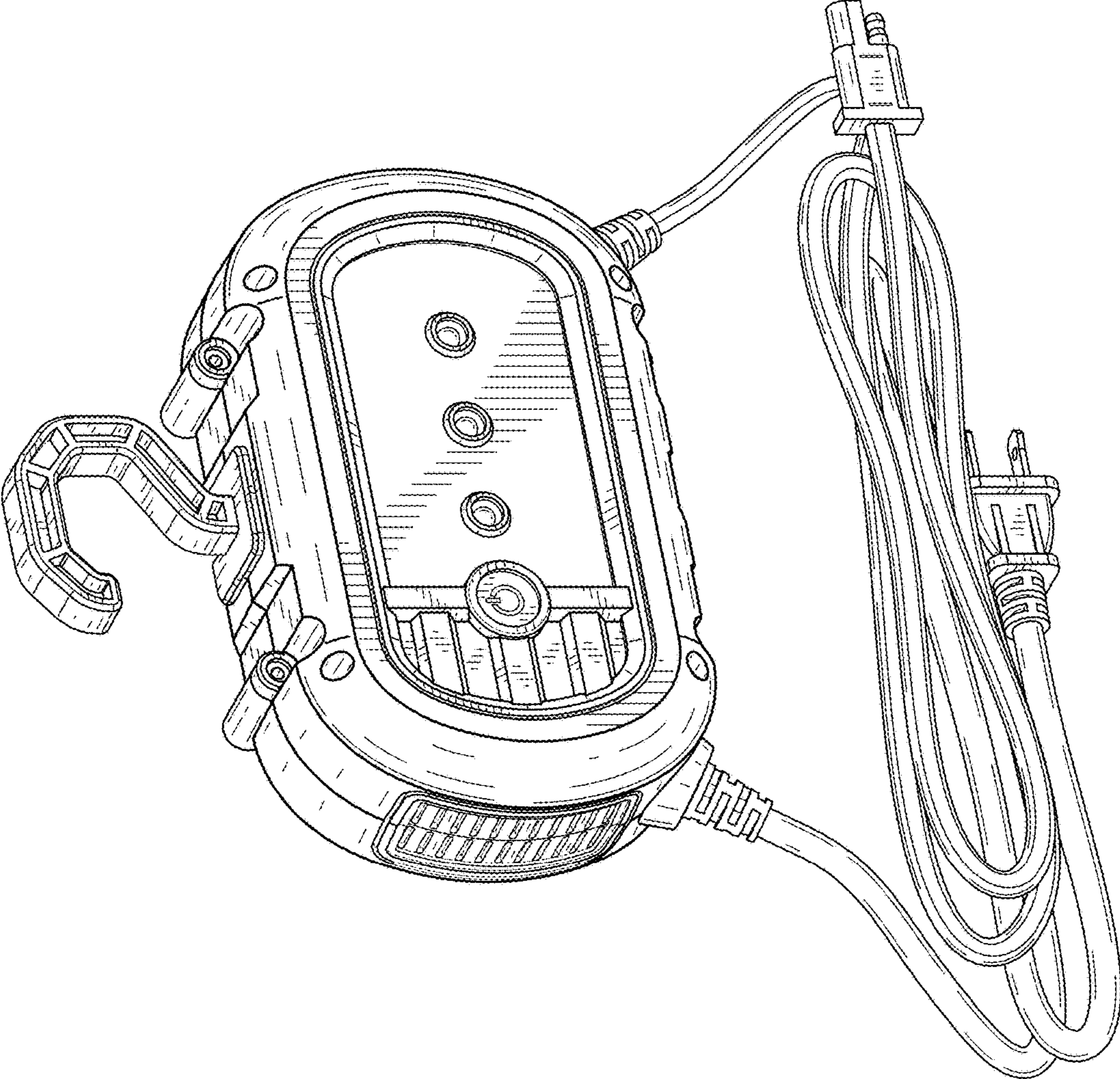


FIG. 1

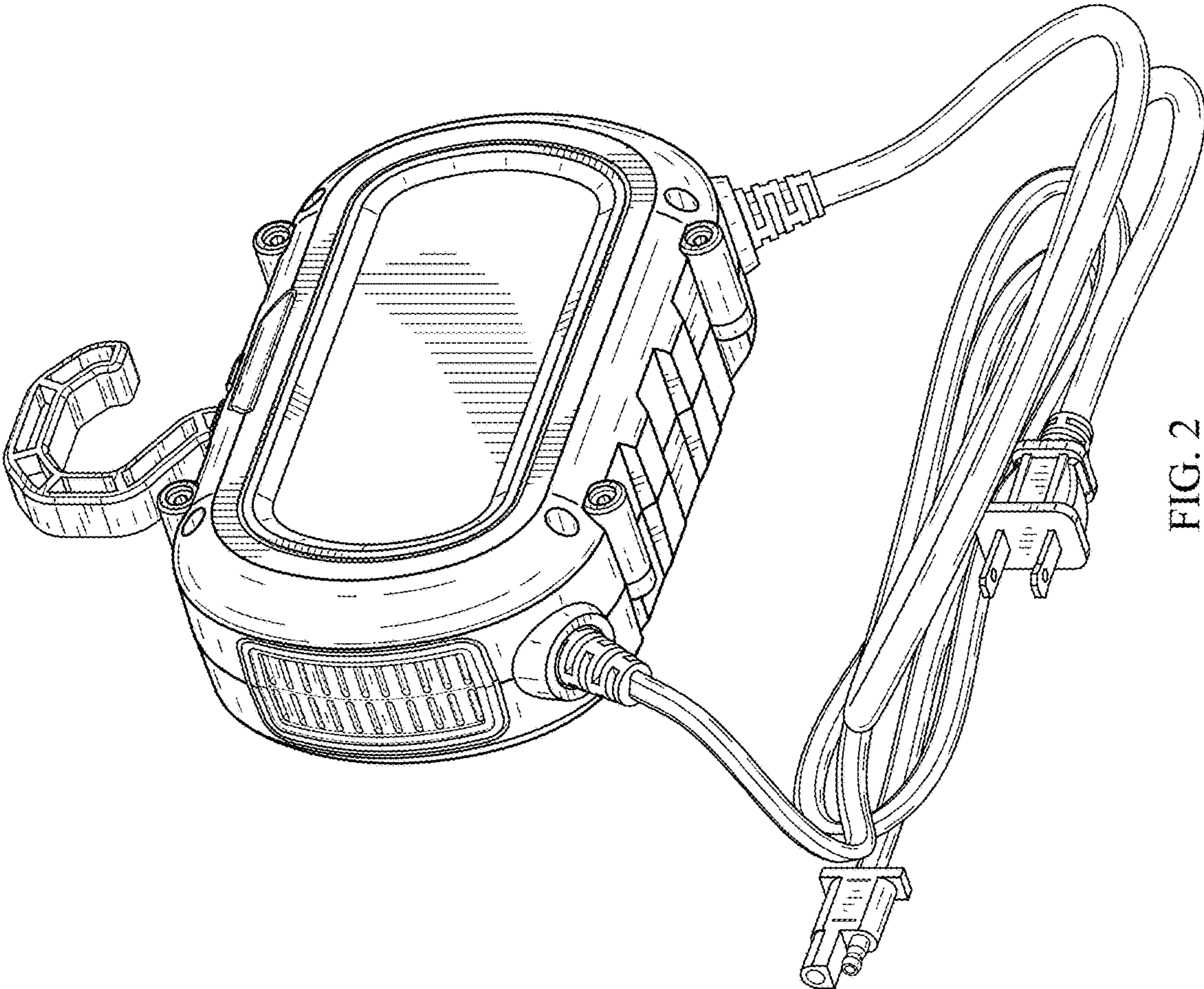


FIG. 2

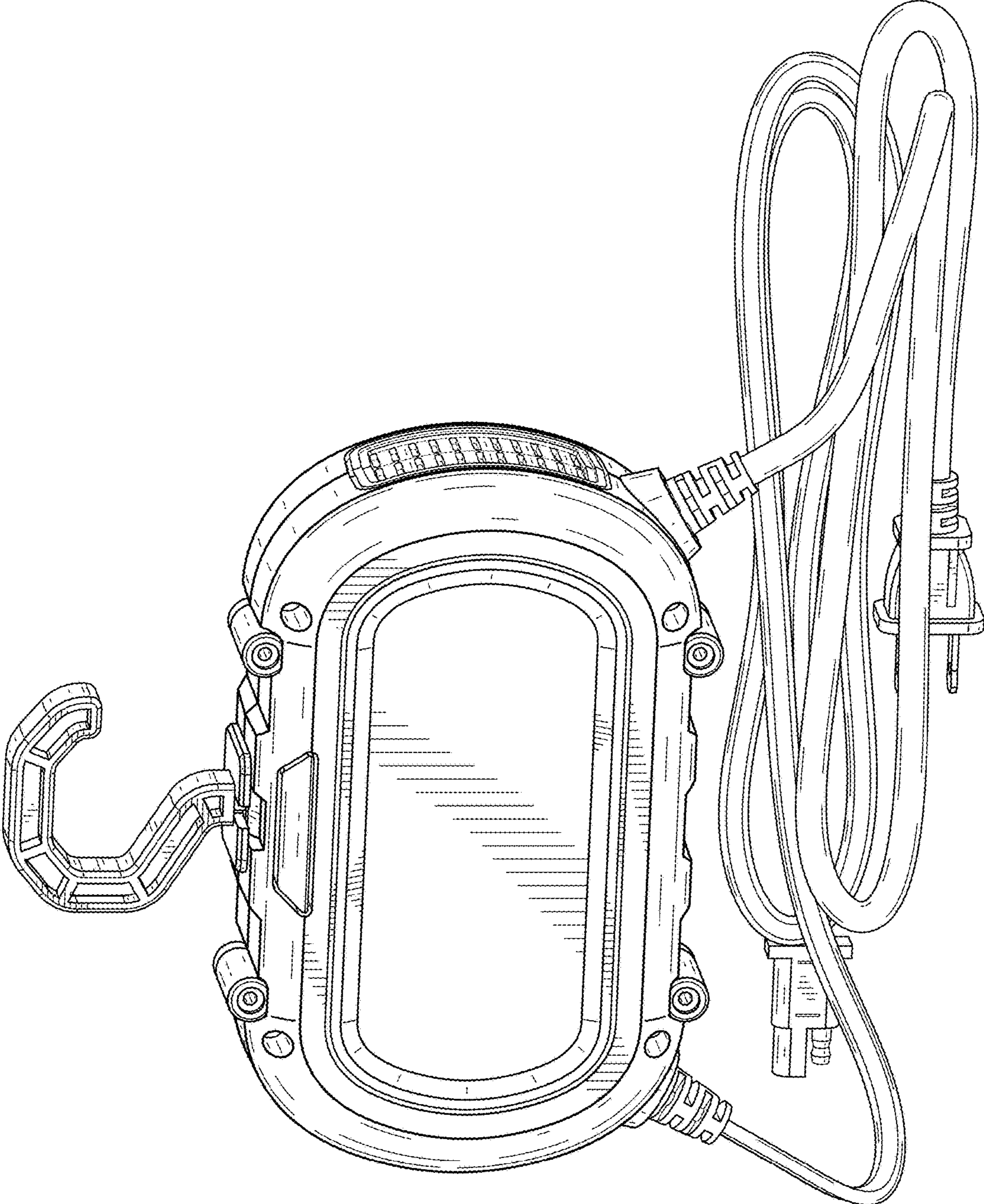


FIG. 3

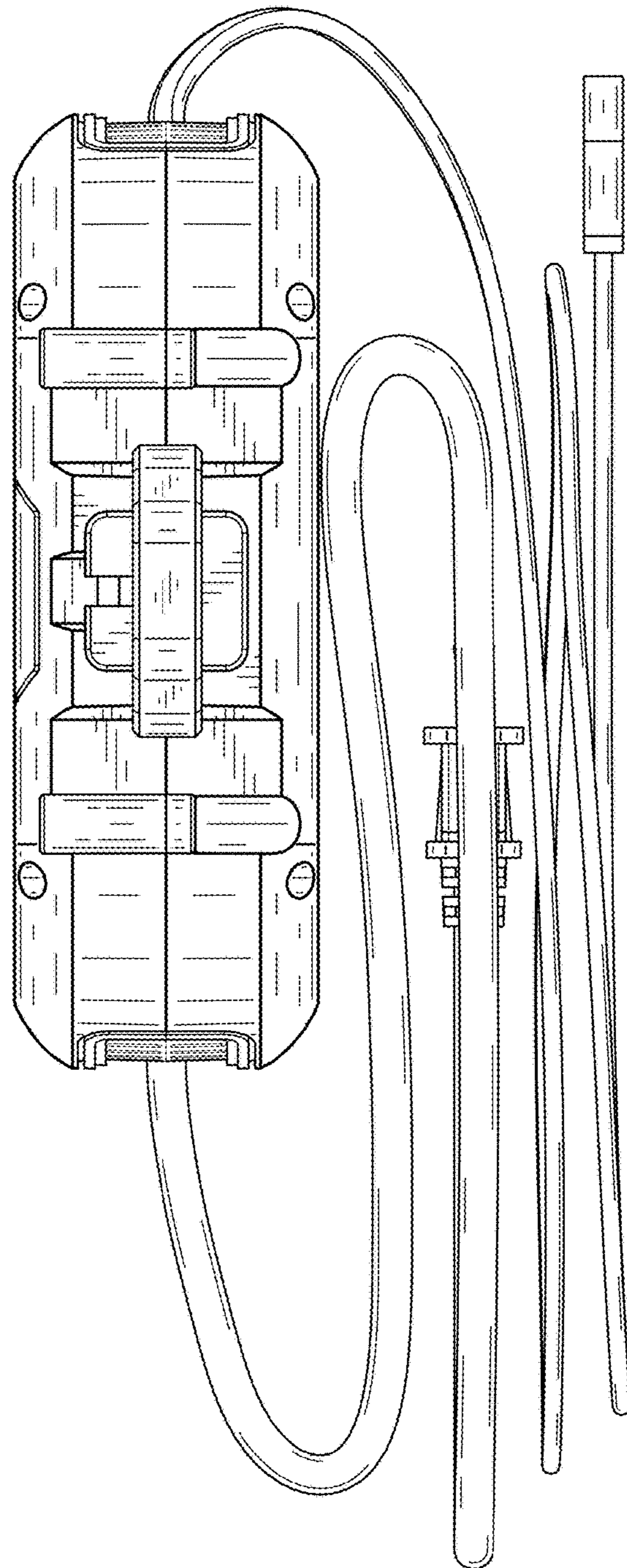


FIG. 4

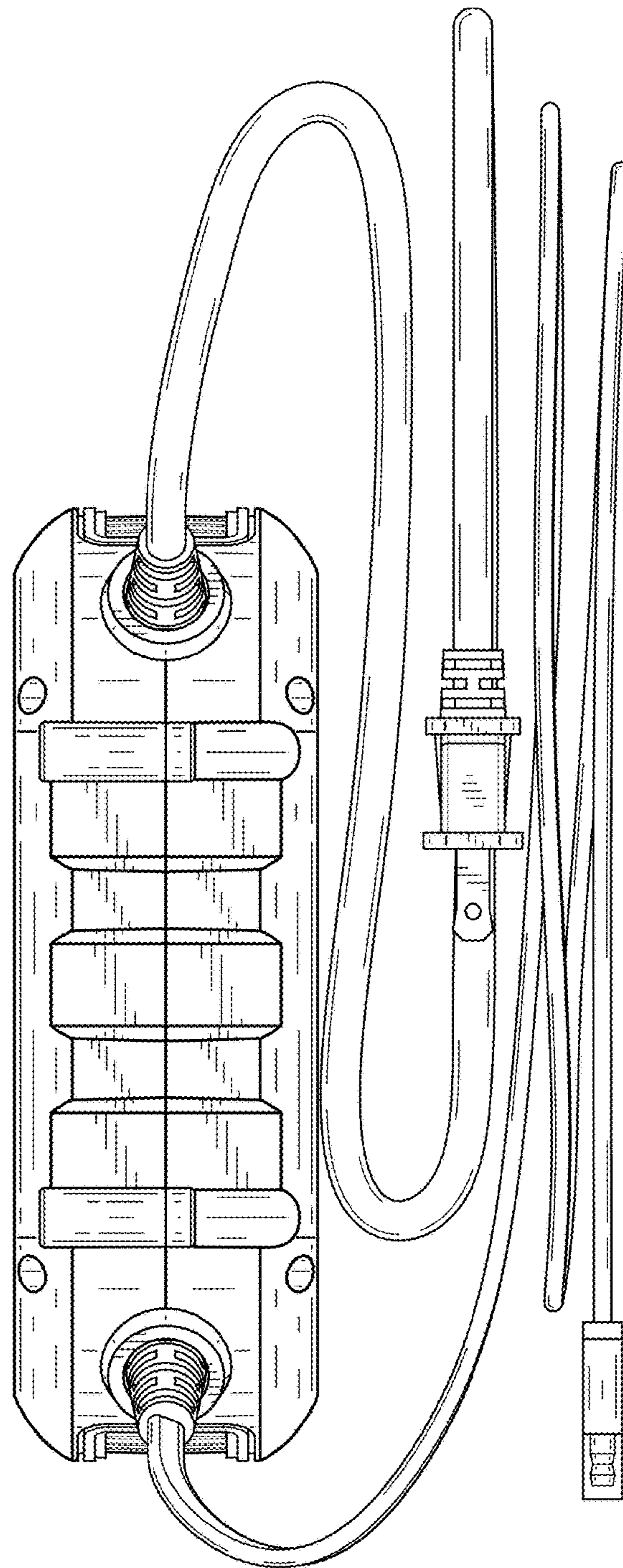


FIG. 5

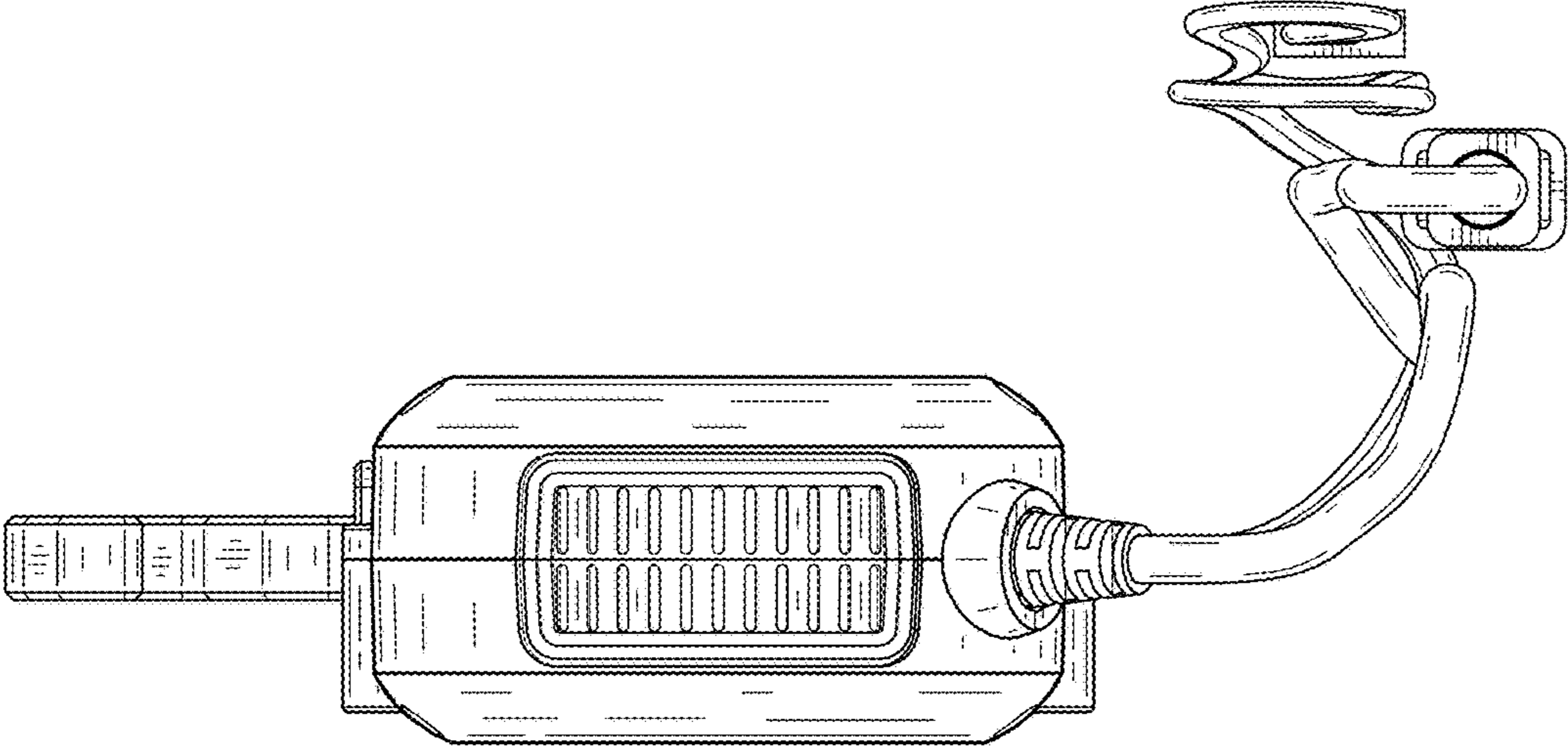


FIG. 6

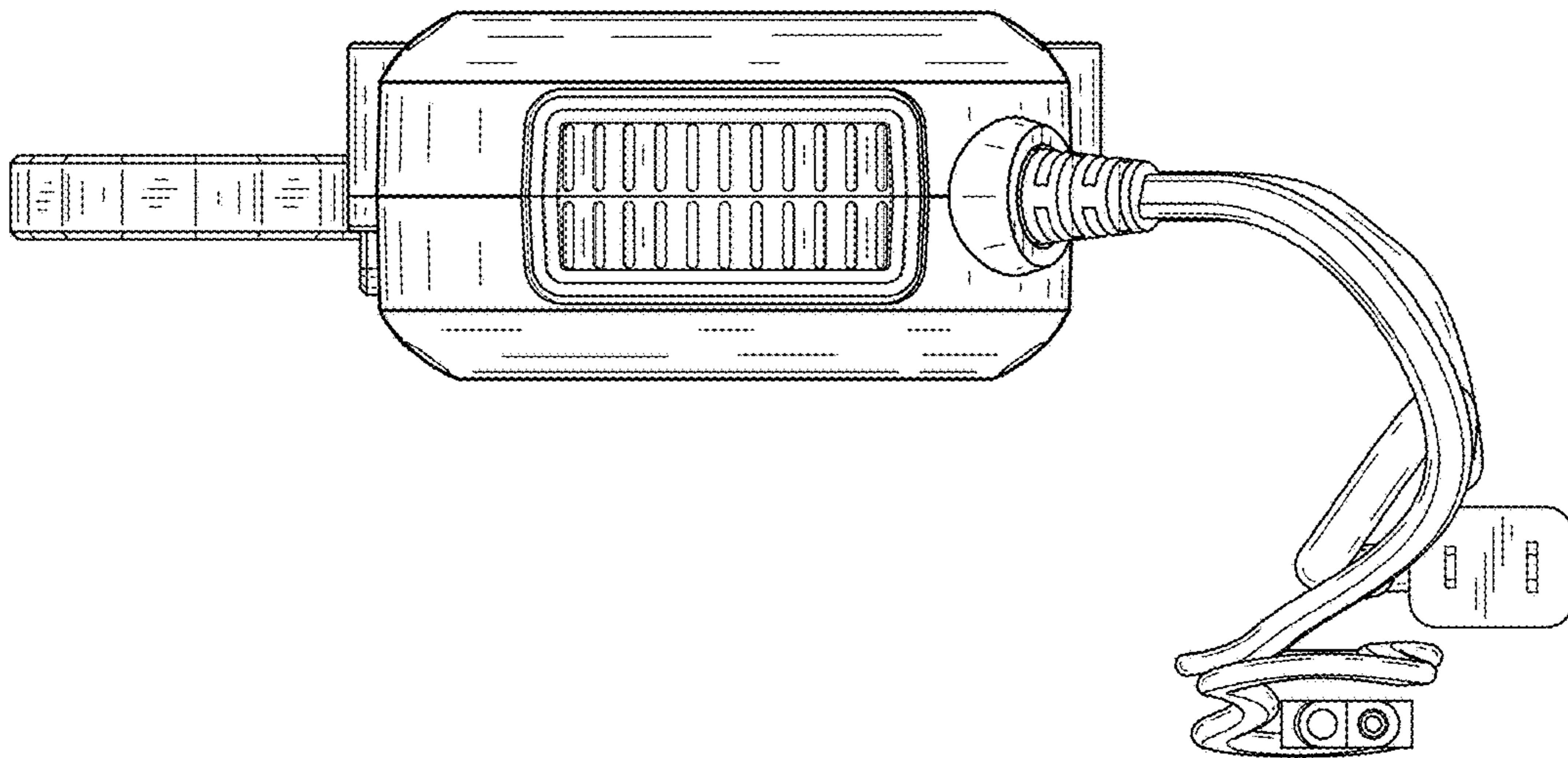


FIG. 7

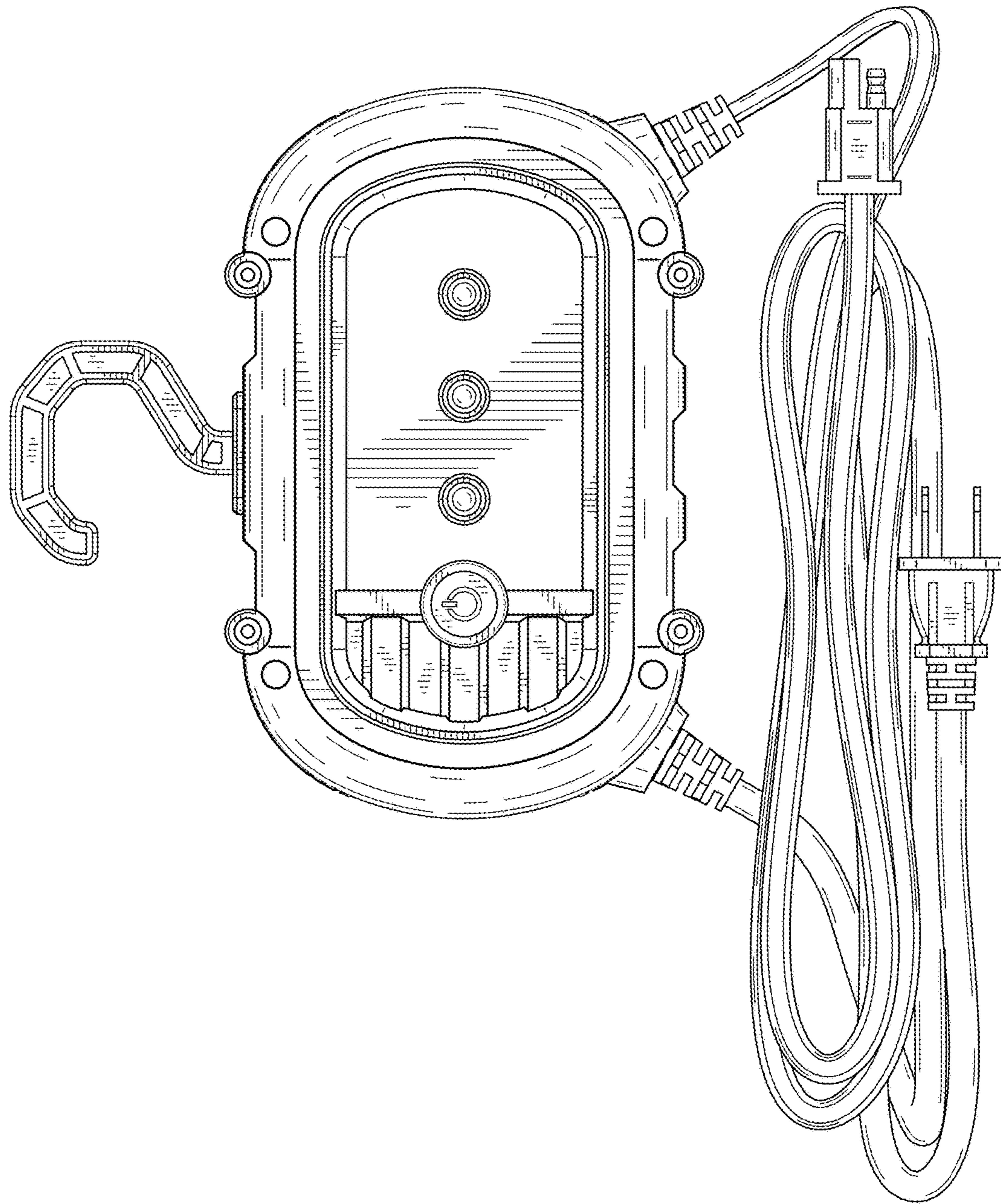


FIG. 8

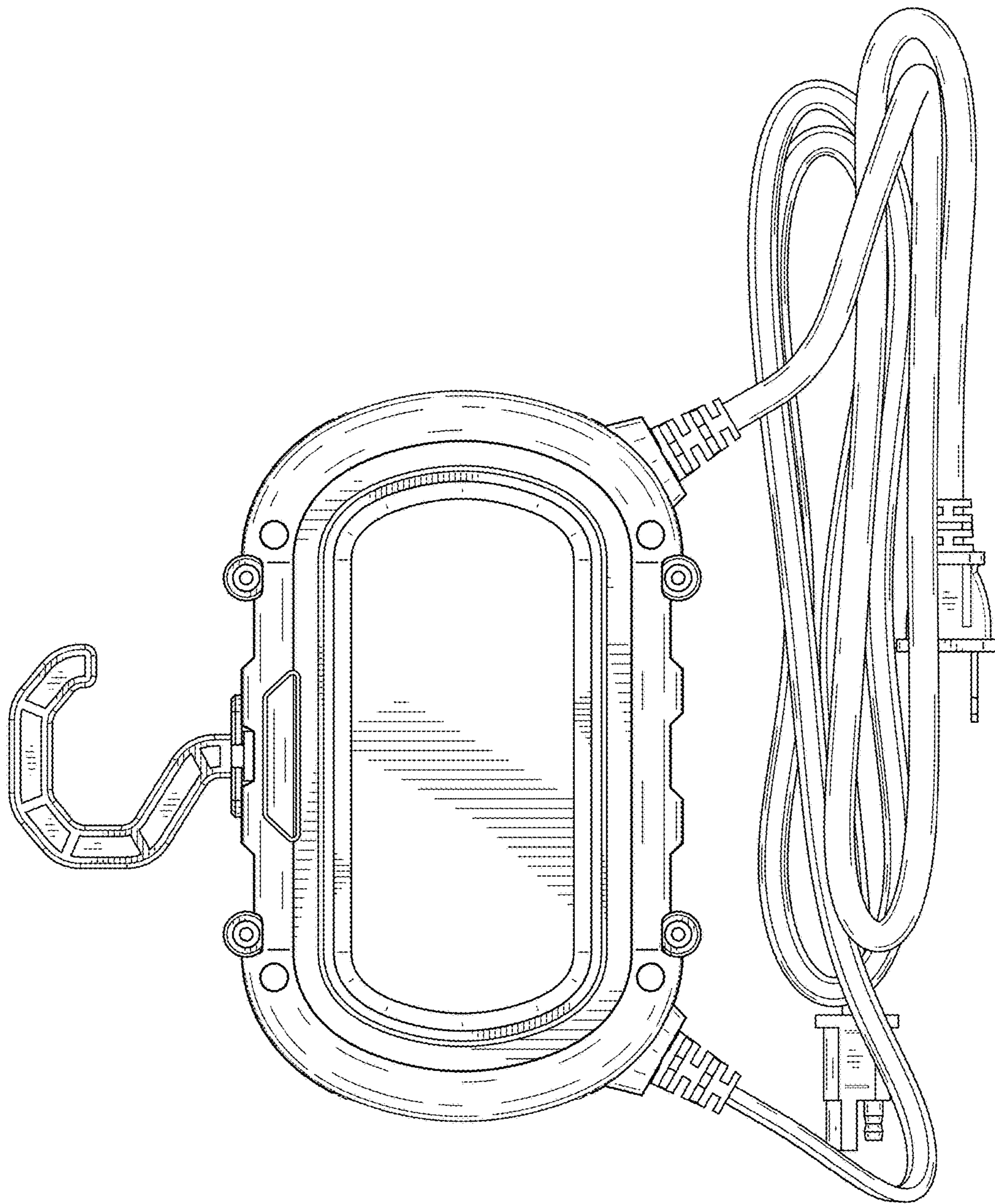


FIG. 9