



US00D840925S

(12) **United States Design Patent** (10) **Patent No.:** **US D840,925 S**
Tschopp et al. (45) **Date of Patent:** **** Feb. 19, 2019**

(54) **ELECTRICAL DEVICE**
(71) Applicant: **Black & Decker Inc.**, New Britain, CT (US)
(72) Inventors: **Tylan A. Tschopp**, Baltimore, MD (US); **Jonathan P. Kirkpatrick**, Baldwin, MD (US)
(73) Assignee: **BLACK & DECKER INC.**, New Britain, CT (US)

D664,499 S * 7/2012 Workman D13/107
D695,680 S * 12/2013 Workman D13/103
D711,319 S * 8/2014 Wilcox D13/116
D762,165 S * 7/2016 Rowe D13/103
D773,992 S * 12/2016 Krantz D13/110
D785,567 S * 5/2017 Abena D13/119
D793,338 S * 8/2017 Zheng D13/102
D813,161 S * 3/2018 Ortakales D13/110
D815,039 S * 4/2018 Wen D13/110
2001/0043052 A1 * 11/2001 Griffey H02J 7/0042
320/114
2005/0225288 A1 * 10/2005 Cole, Jr. H01M 2/1022
320/114

(**) Term: **15 Years**

* cited by examiner

(21) Appl. No.: **29/587,100**

Primary Examiner — Rosemary K Tarcza

(22) Filed: **Dec. 9, 2016**

Assistant Examiner — Nathaniel D. Buckner

(51) **LOC (11) Cl.** **13-02**

(74) *Attorney, Agent, or Firm* — Adan Ayala

(52) **U.S. Cl.**

USPC **D13/107**

(58) **Field of Classification Search**

(57) **CLAIM**

USPC D13/102–110, 118–119, 184, 199;
D14/356, 432

The ornamental design for an electrical device, as shown and described.

CPC Y02E 60/10; Y02E 60/12; Y02E 60/122;
Y02E 60/124; Y02E 60/50; H01M 2/02;
H01M 2/022; H01M 2/0202; H01M
2/0207; H01M 2/0212; H01M 2/1061;
H01M 2/1022; H01M 2/1055; H01M
2/1066; H01M 2/105; H01M 2/20; H01M
2/204; H01M 2/206; H01M 10/44; H01M
10/46; H01M 10/465; H01M 10/482;
H01M 2200/30; H01M 2250/30; H01M
2250/40; H02J 7/00; H02J 7/0003; H02J
7/0011; H02J 7/0013; H02J 7/0054; H02J
7/0055; H02J 7/0057; H02J 2007/0062

DESCRIPTION

See application file for complete search history.

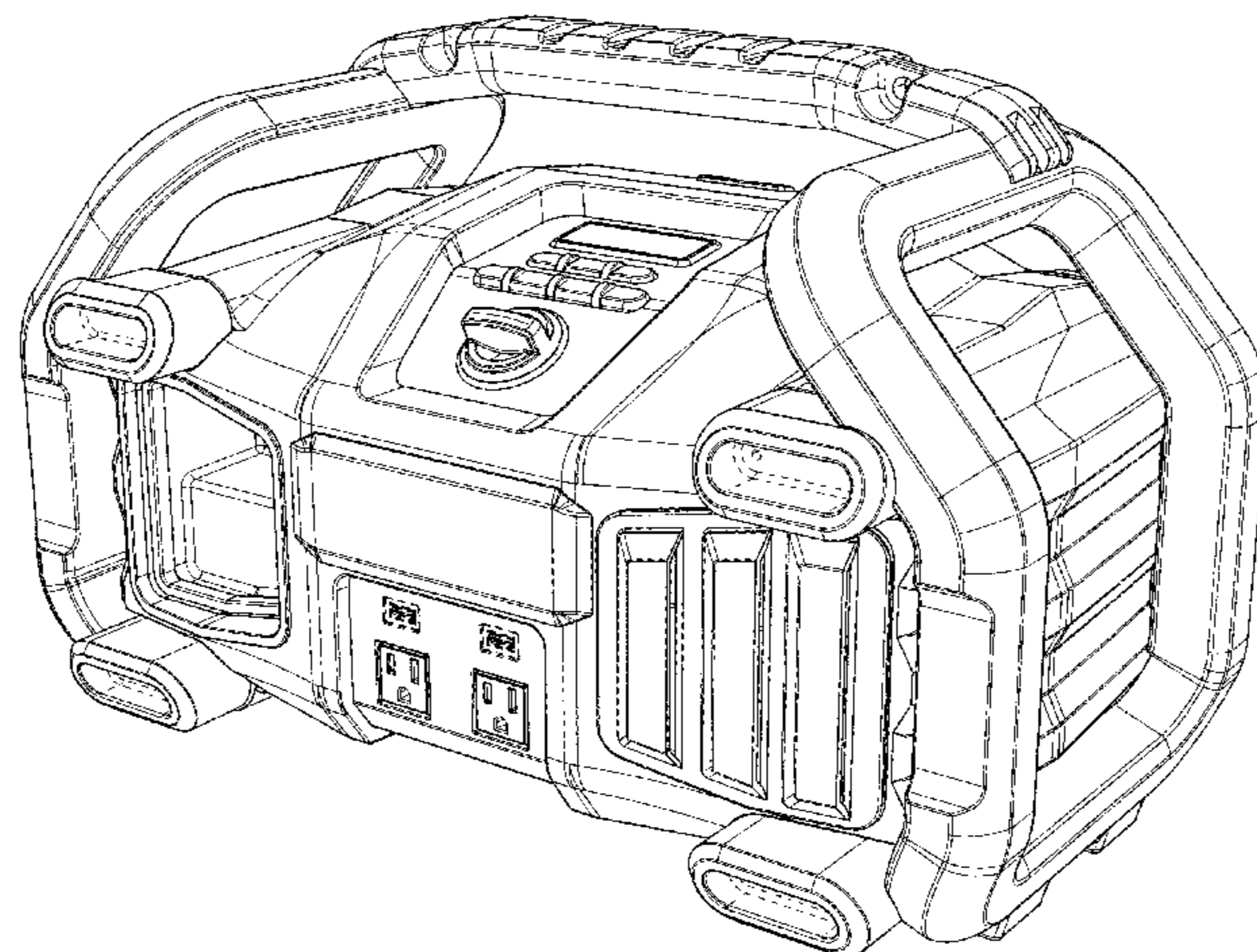
FIG. 1 is a front perspective view of an electrical device showing our new design;
FIG. 2 is a rear perspective view thereof;
FIG. 3 is a front elevation view thereof;
FIG. 4 is a rear elevation view thereof;
FIG. 5 is a right side elevation view thereof;
FIG. 6 is a left side elevation view thereof;
FIG. 7 is a top plan view thereof; and,
FIG. 8 is a bottom plan view thereof.
The broken lines in the figures depict portions of the article which form no part of the claimed design.

(56) **References Cited**

U.S. PATENT DOCUMENTS

7,332,889 B2 * 2/2008 Glasgow H02J 7/0045
320/107
D654,023 S * 2/2012 Kyle Ching Hao D13/110

1 Claim, 8 Drawing Sheets



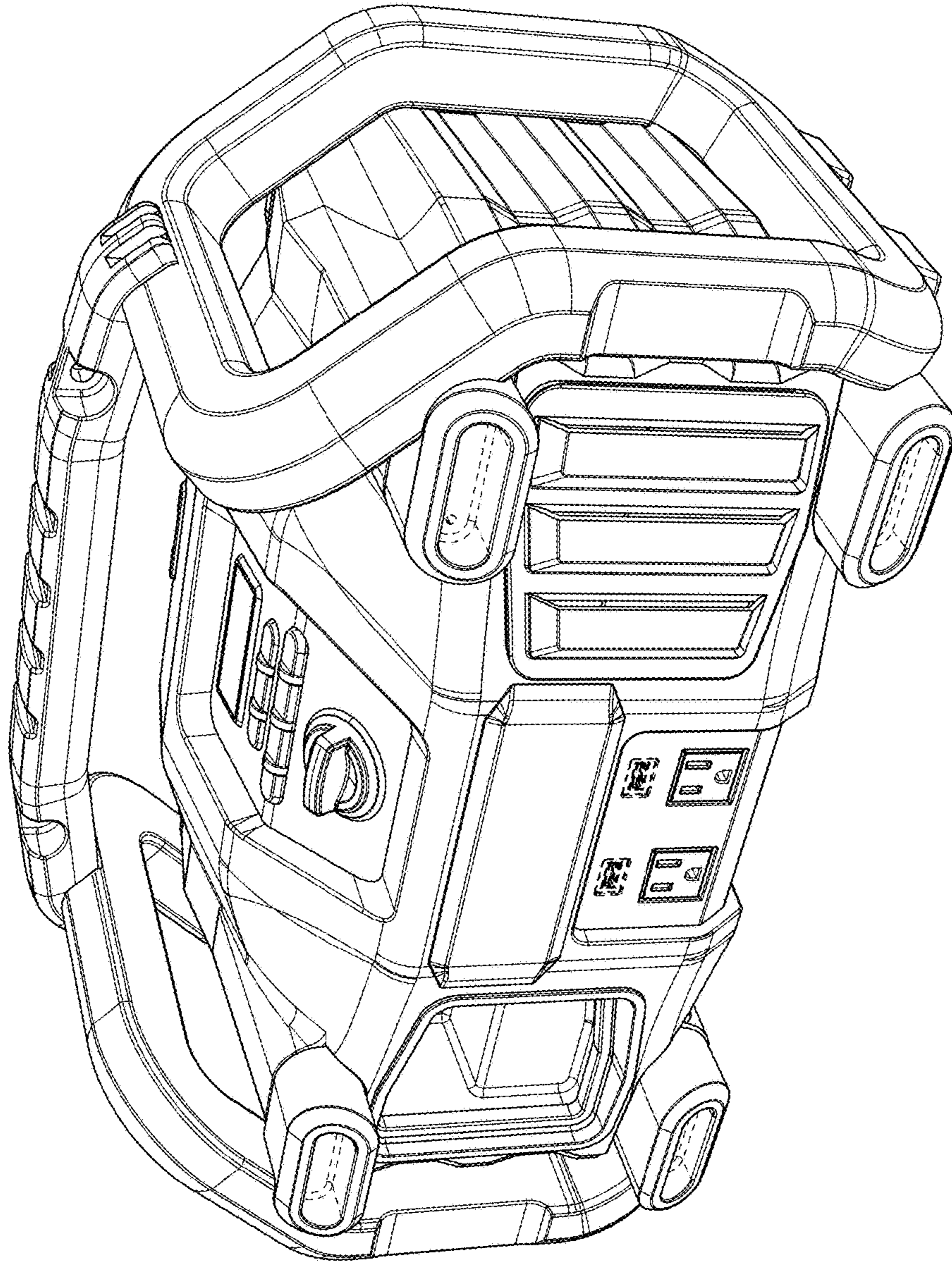


FIG. 1

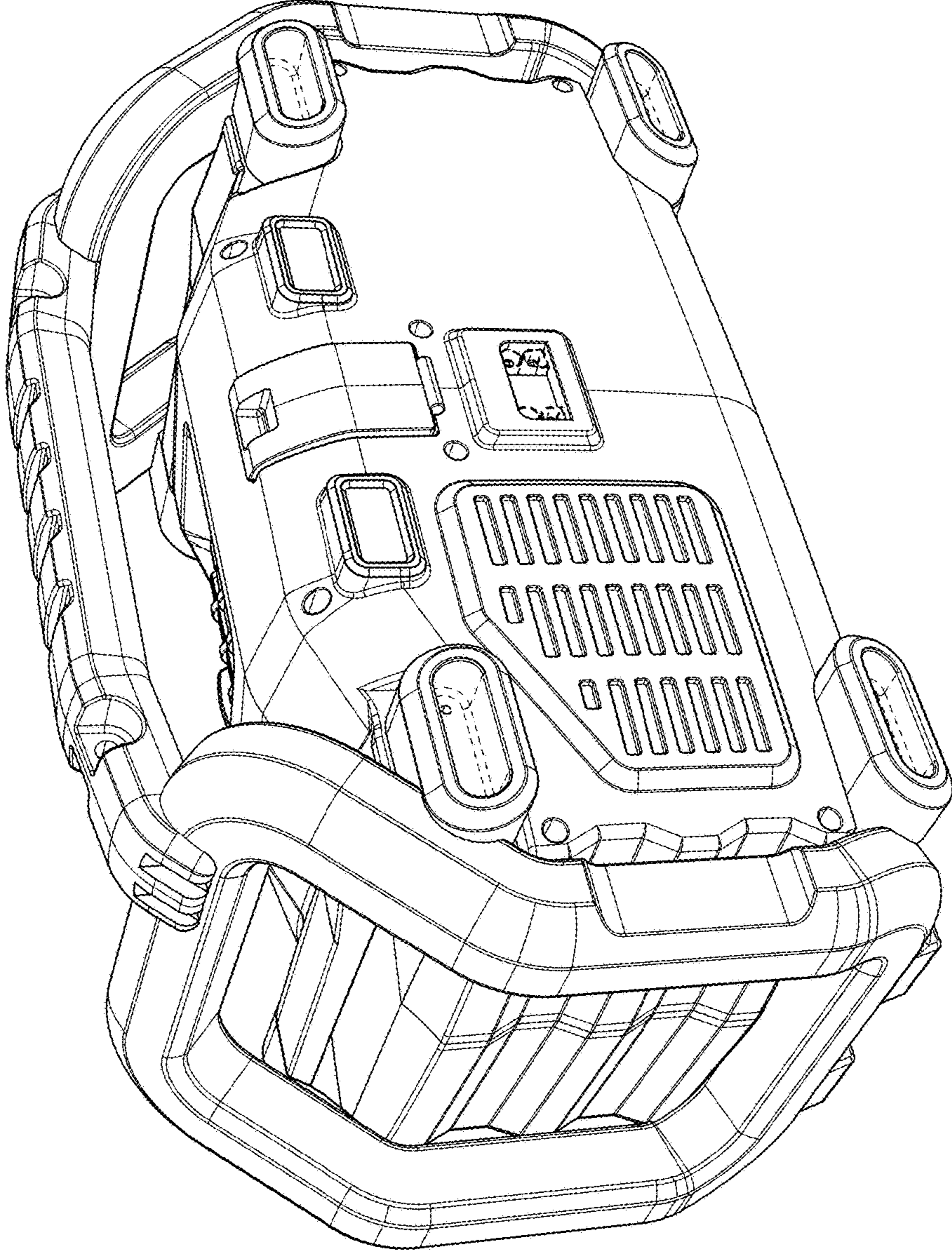


FIG. 2

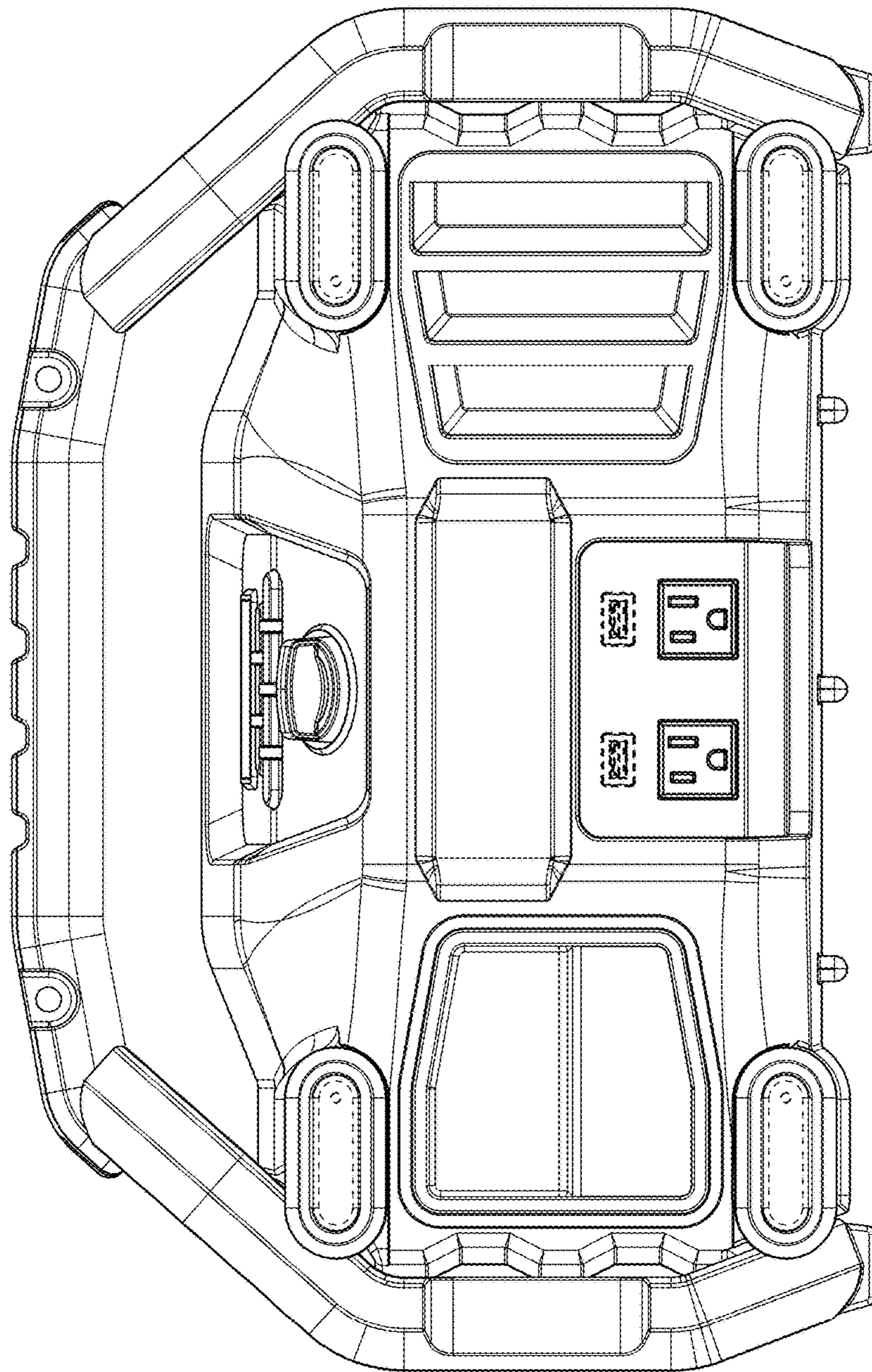


FIG. 3

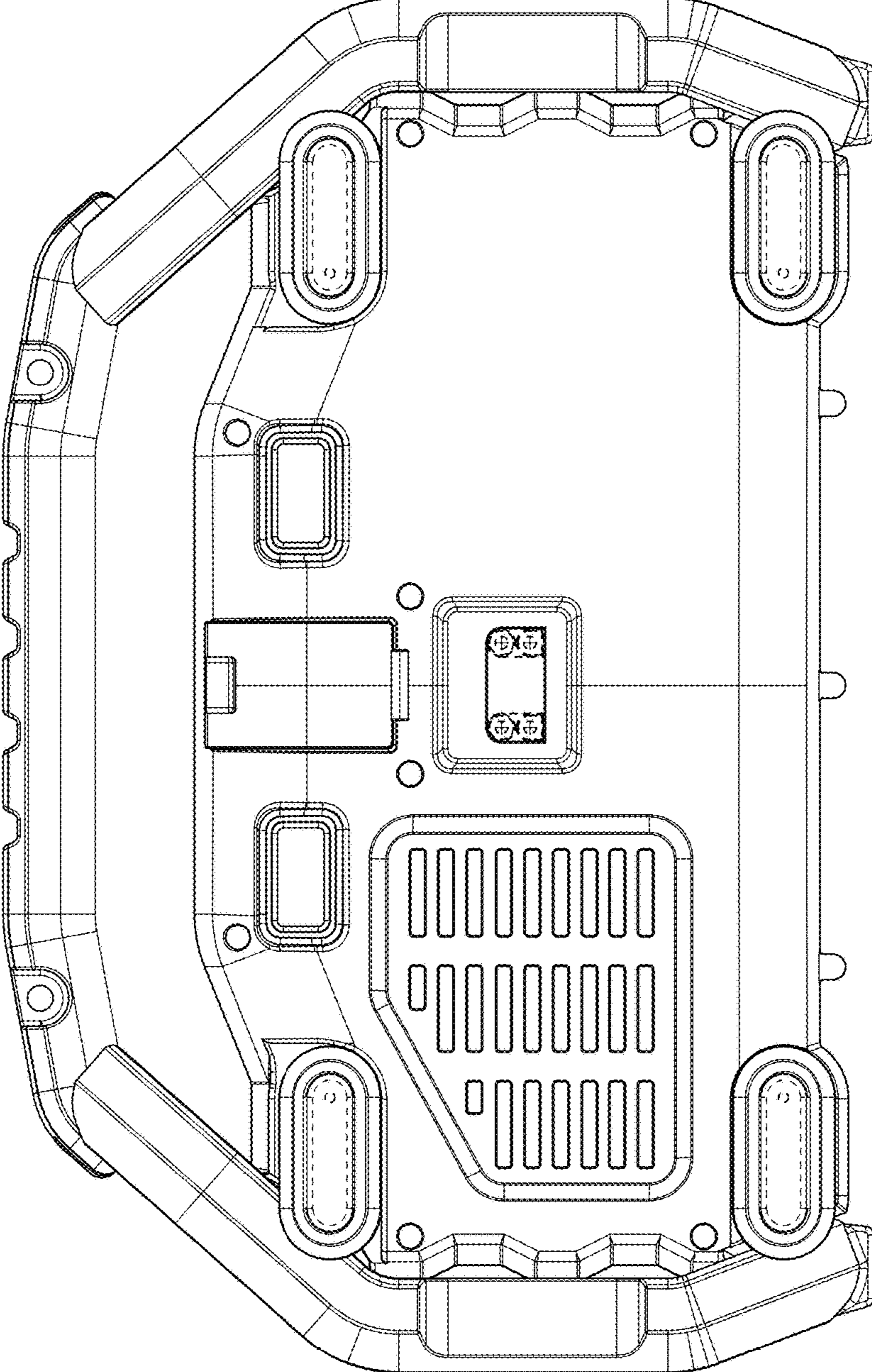


FIG. 4

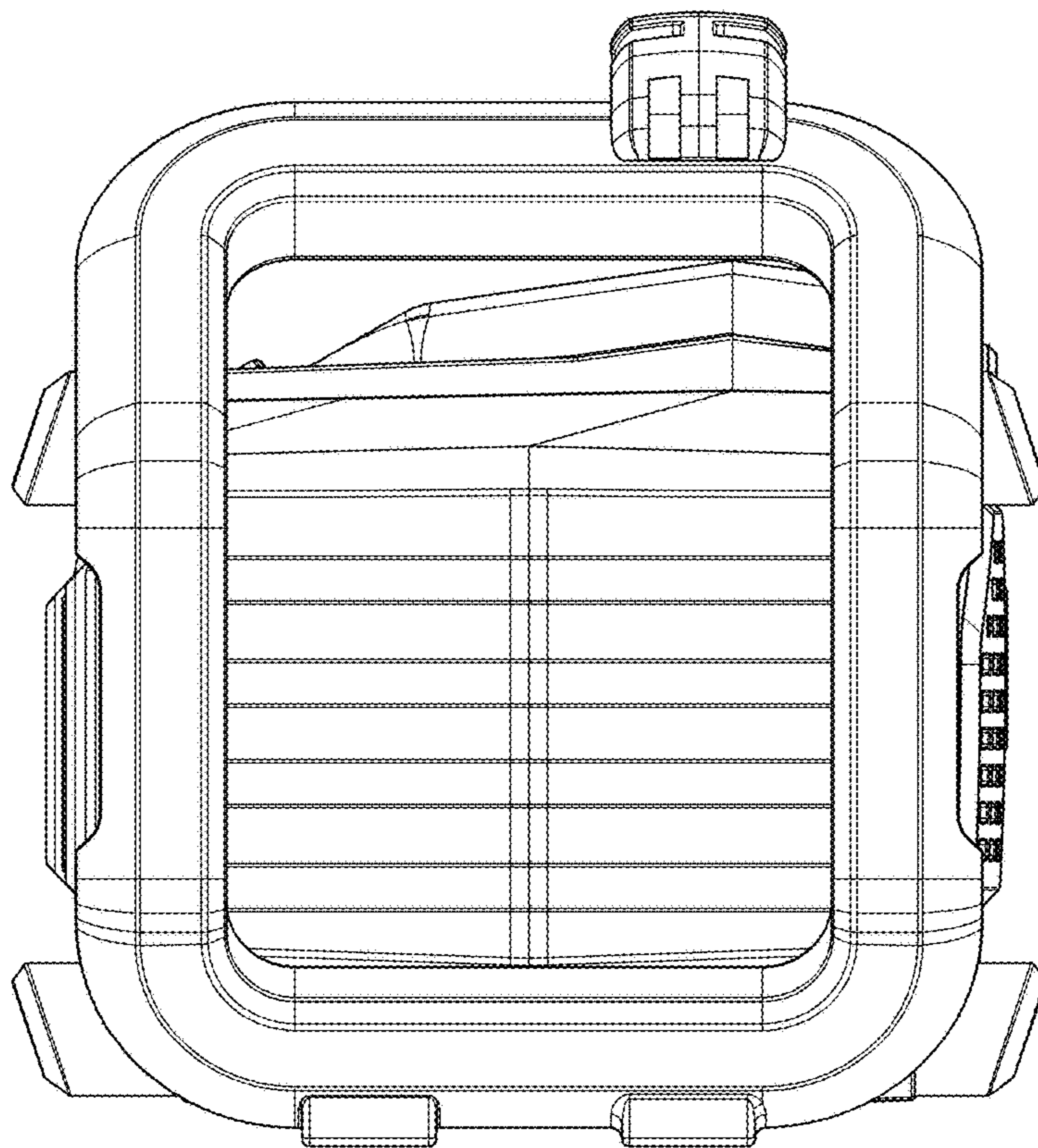


FIG. 5

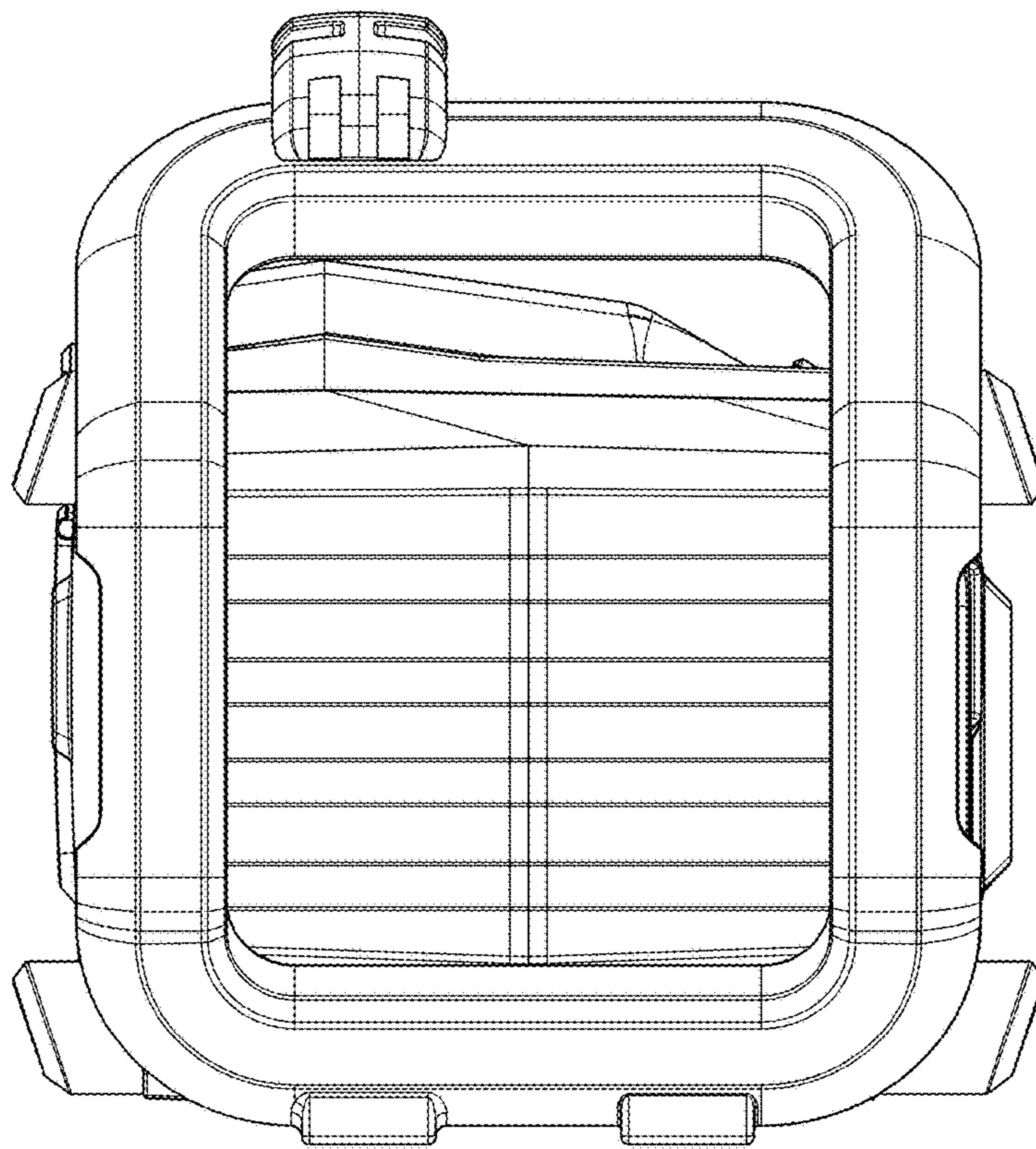


FIG. 6

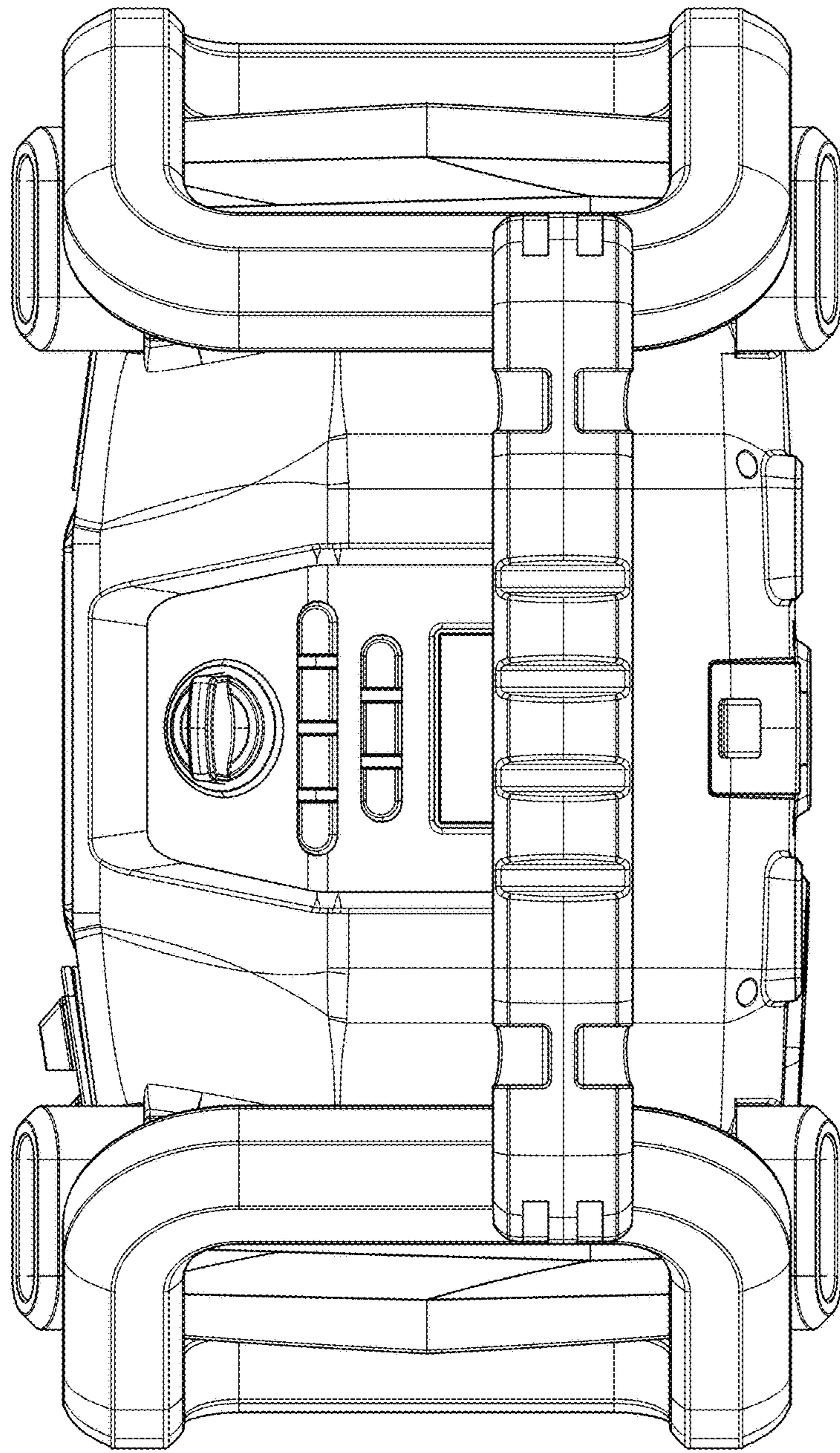


FIG. 7

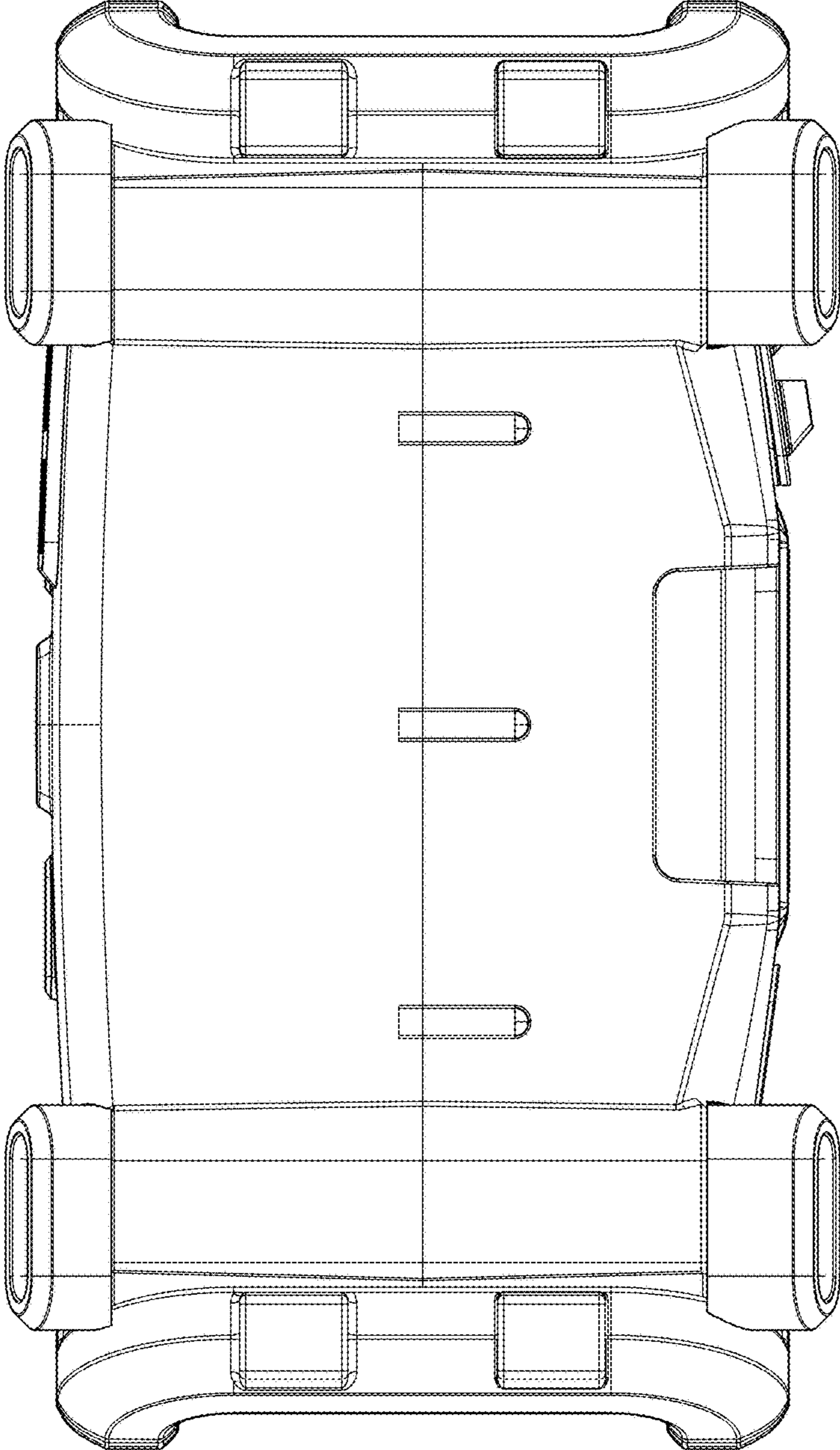


FIG. 8