



US00D840920S

(12) **United States Design Patent** (10) **Patent No.:** **US D840,920 S**  
**Fletcher et al.** (45) **Date of Patent:** **\*\* Feb. 19, 2019**

(54) **VENTURI DEVICE**

(56) **References Cited**

(71) Applicant: **DAYCO IP HOLDINGS, LLC**, Troy, MI (US)  
(72) Inventors: **David E. Fletcher**, Flint, MI (US); **Brian M. Graichen**, Leonard, MI (US); **James H. Miller**, Ortonville, MI (US); **Rex Bravo**, Detroit, MI (US); **Keith Hampton**, Ann Arbor, MI (US); **Matthew C. Gilmer**, South Lyon, MI (US); **Andrew D. Niedert**, New Hudson, MI (US); **Nicole Lavis**, Clinton Township, MI (US)

U.S. PATENT DOCUMENTS

D342,051	S *	12/1993	Burnight	.....	D12/180
D453,817	S *	2/2002	Patteson	.....	D23/262
D622,351	S *	8/2010	Foster	.....	D23/233
D728,746	S *	5/2015	McLauchlan	.....	D23/233
9,534,704	B2 *	1/2017	Hampton	.....	F16K 47/08
D809,126	S *	1/2018	White	.....	D24/110
9,919,689	B2 *	3/2018	Fletcher	.....	B60T 17/04
D821,302	S *	6/2018	Fletcher	.....	D13/101
2006/0016477	A1 *	1/2006	Zaparackas	.....	B60T 13/52
					137/112
2011/0186151	A1 *	8/2011	Sparazynski	.....	B60T 17/02
					137/526
2013/0213510	A1 *	8/2013	Burnham	.....	F16K 15/14
					137/888
2015/0096637	A1 *	4/2015	Hampton	.....	F16K 47/08
					137/826

(73) Assignee: **Dayco IP Holdings, LLC**, Troy, MI (US)

(\*\*) Term: **15 Years**

(Continued)

(21) Appl. No.: **29/649,221**

*Primary Examiner* — Derrick E Holland

*Assistant Examiner* — Jennifer O King

(22) Filed: **May 29, 2018**

(74) *Attorney, Agent, or Firm* — FisherBroyles, LLP; Susan M. Oiler

**Related U.S. Application Data**

(62) Division of application No. 29/530,829, filed on Jun. 19, 2015, now Pat. No. Des. 821,302.

(51) **LOC (11) Cl.** ..... **13-02**

(52) **U.S. Cl.**  
USPC ..... **D13/101**; D23/235

(58) **Field of Classification Search**  
USPC ..... D13/155, 153, 156, 157, 184, 199;  
D8/349, 354, 356, 394, 396; 174/68.1,  
174/68.2, 68.3; 248/49, 53, 60; 361/827;  
385/134, 135; 439/207, 210, 446, 445,  
439/447

CPC ..... B01F 15/00344; B01F 5/0415; B01F  
5/0428; B01F 5/064; B01F 5/0642; B60T  
13/52; B60T 17/02; B60T 17/04

See application file for complete search history.

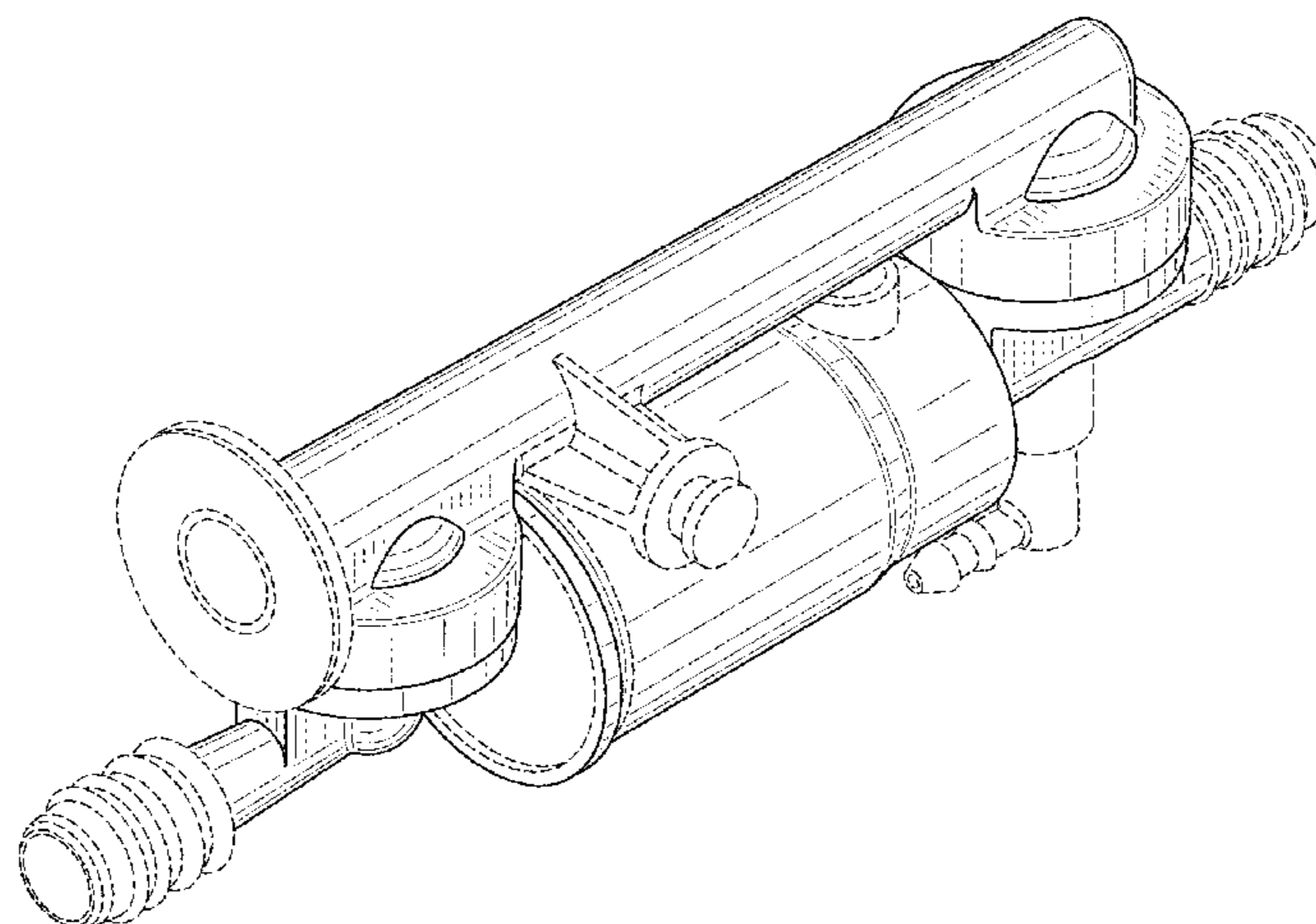
(57) **CLAIM**

The ornamental design for a Venturi device, as shown and described.

**DESCRIPTION**

FIG. 1 is a front perspective view of one embodiment of a Venturi device of our design;  
FIG. 2 is a front elevation view thereof;  
FIG. 3 is a rear elevation view thereof;  
FIG. 4 is a left-side elevation view thereof;  
FIG. 5 is a right-side elevation view thereof;  
FIG. 6 is a top view thereof; and,  
FIG. 7 is a bottom view thereof.  
The broken lines shown represent the portions of the Venturi device that form no part of the claimed design.

**1 Claim, 7 Drawing Sheets**



(56)

**References Cited**

U.S. PATENT DOCUMENTS

2015/0233393 A1\* 8/2015 Burnham ..... F04F 5/42  
417/189

\* cited by examiner

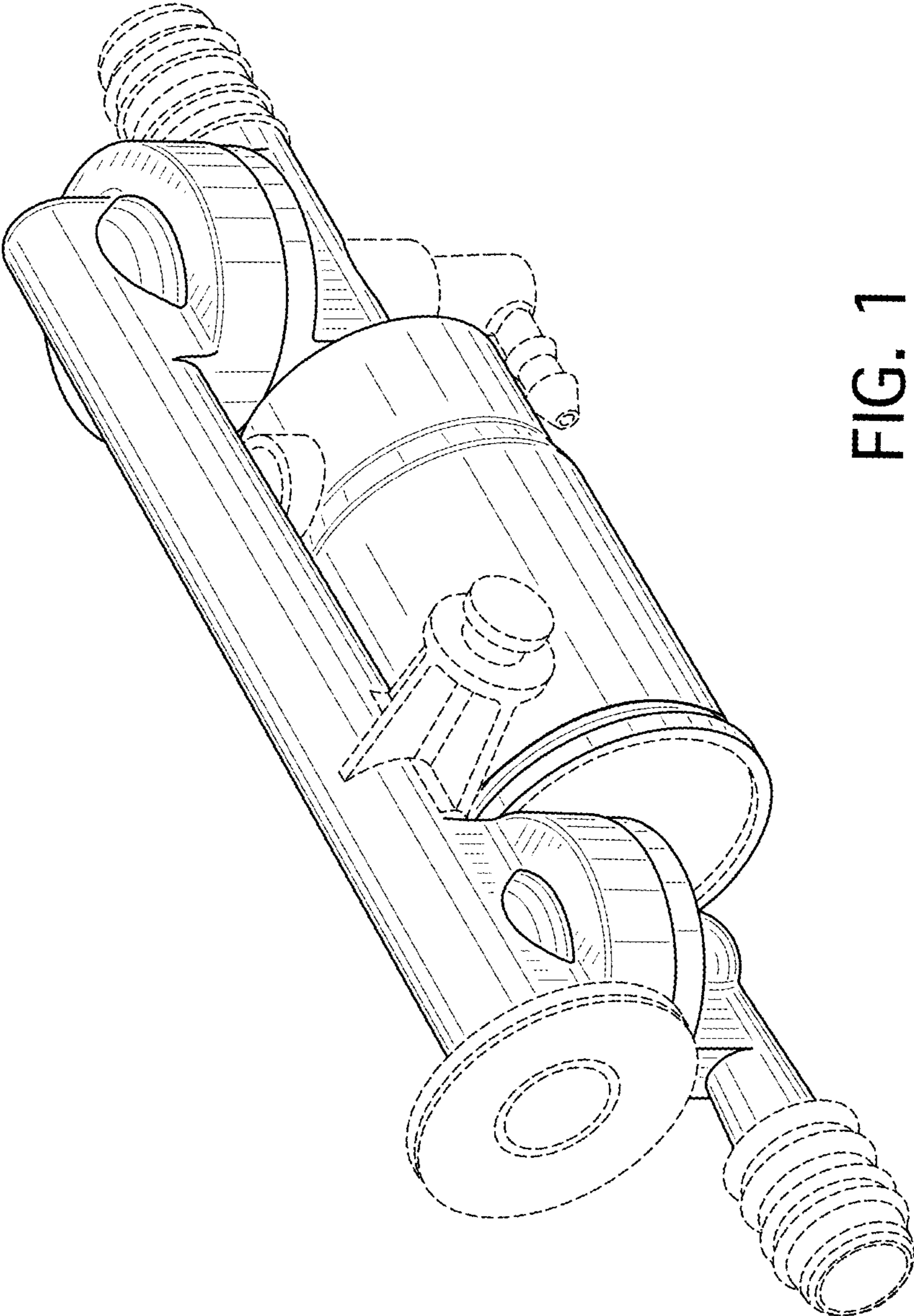


FIG. 1

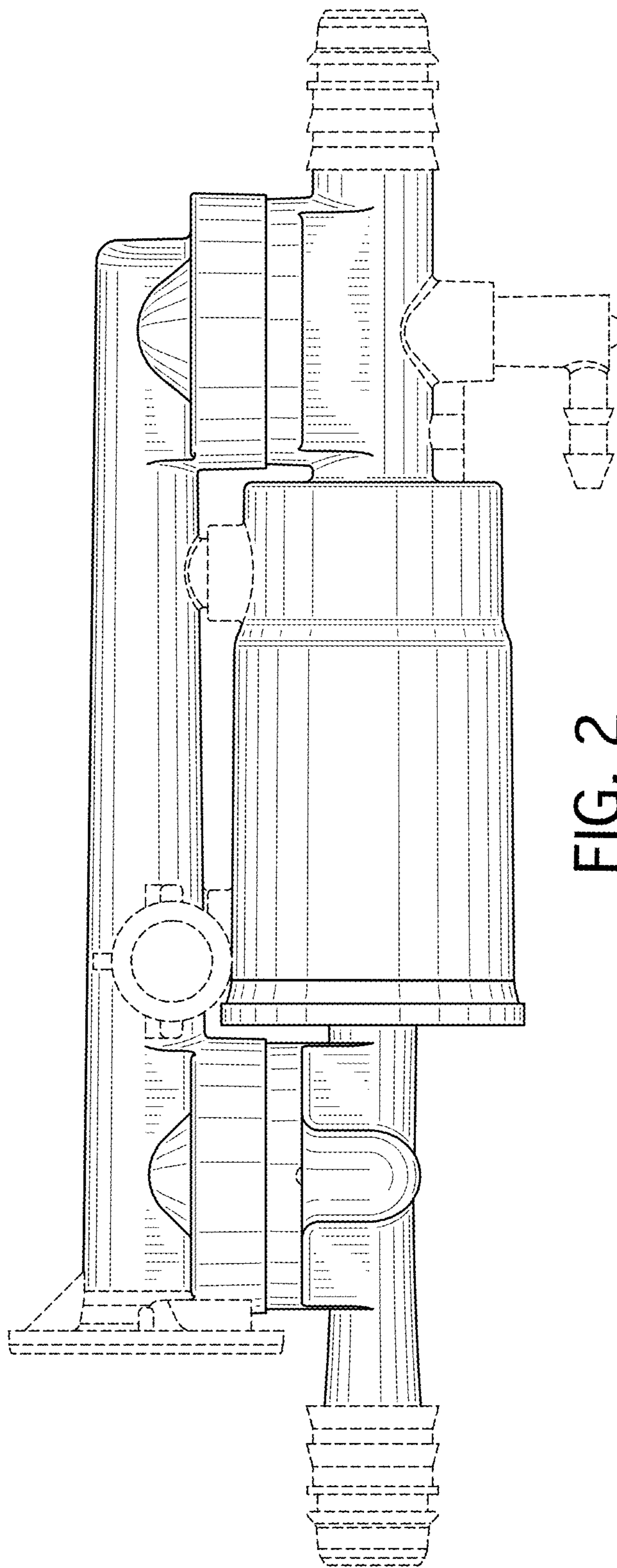


FIG. 2



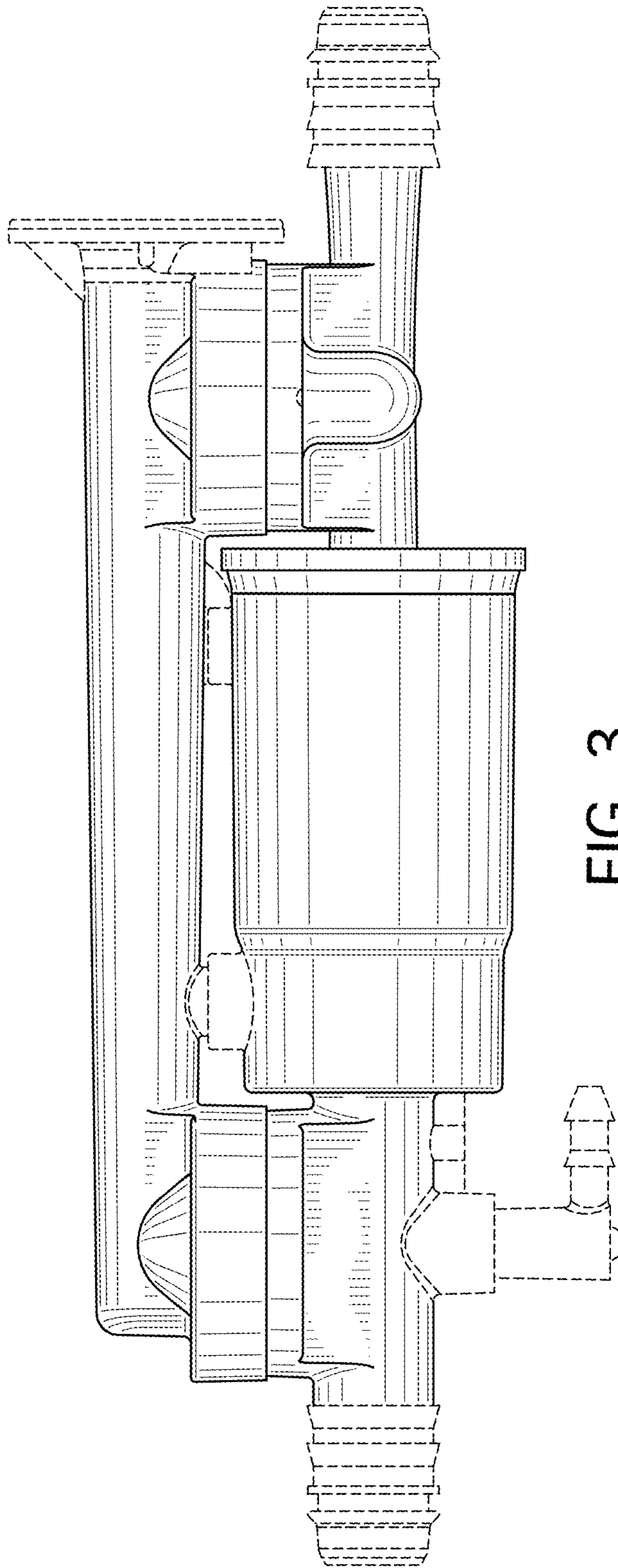


FIG. 3

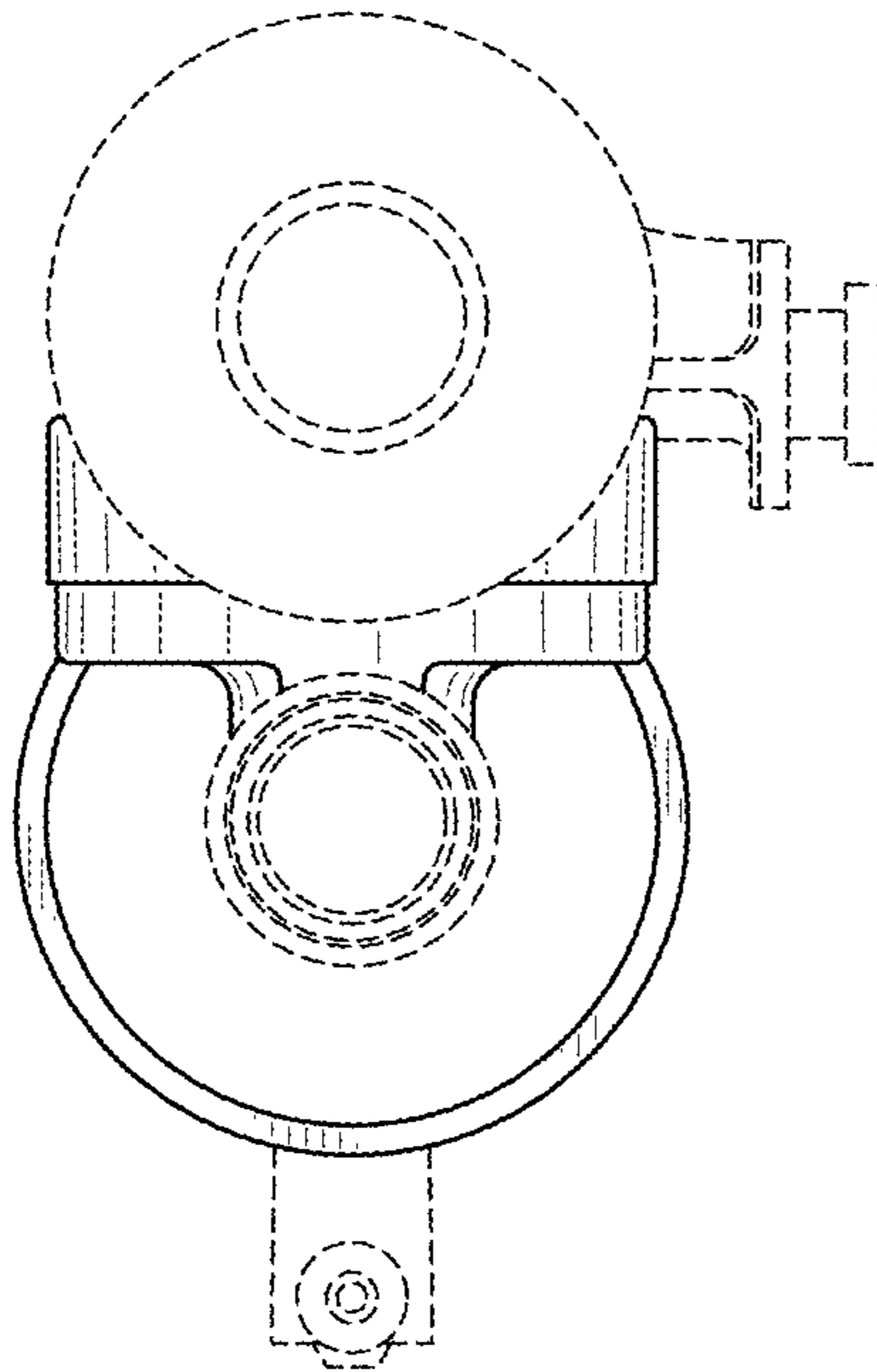


FIG. 4

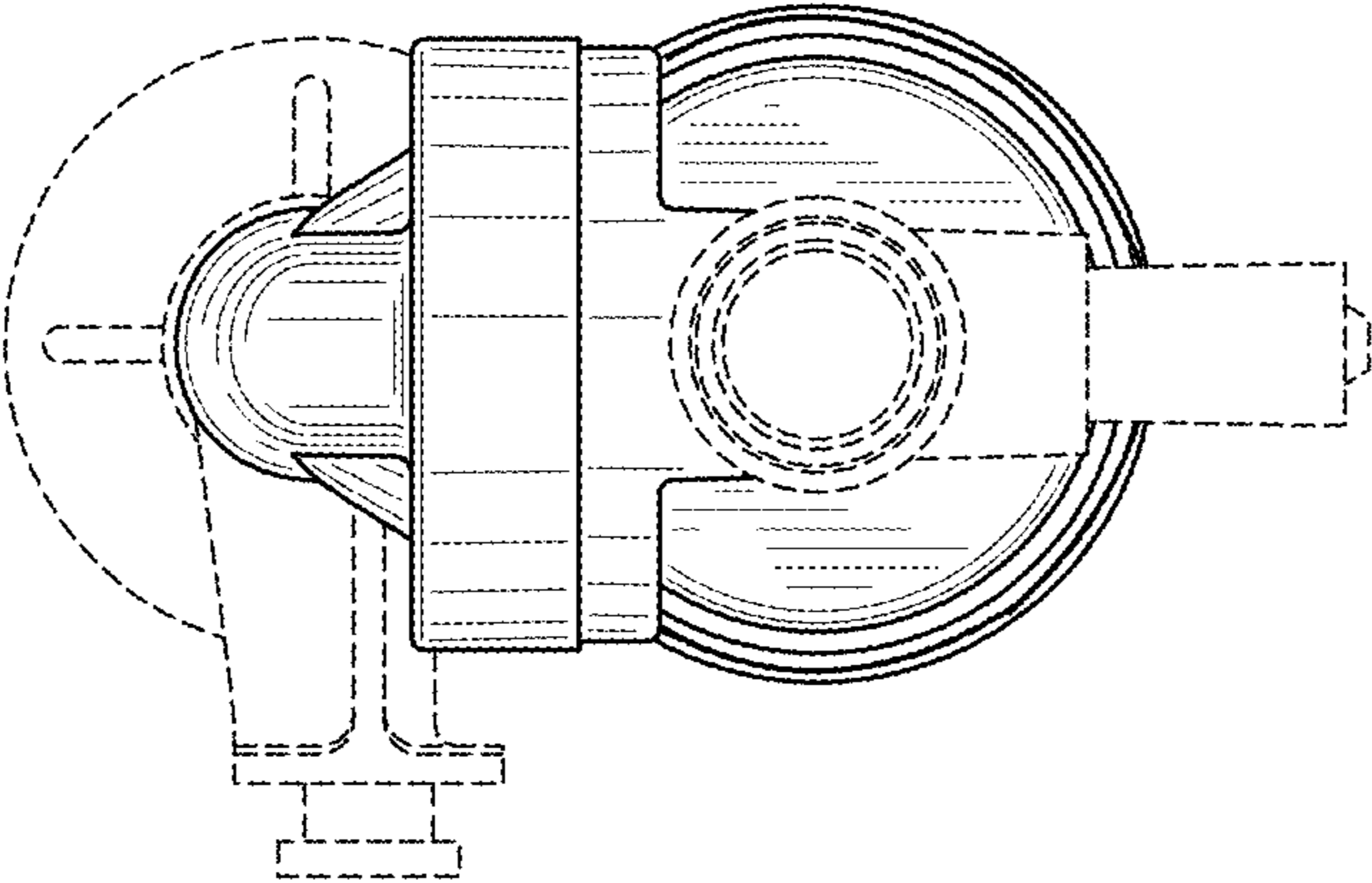


FIG. 5

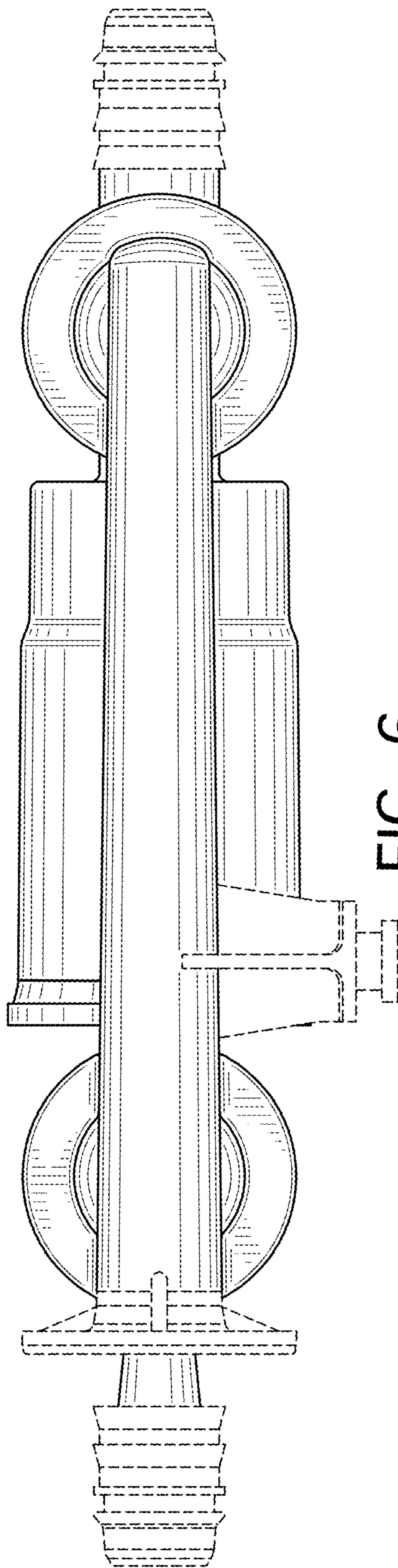


FIG. 6



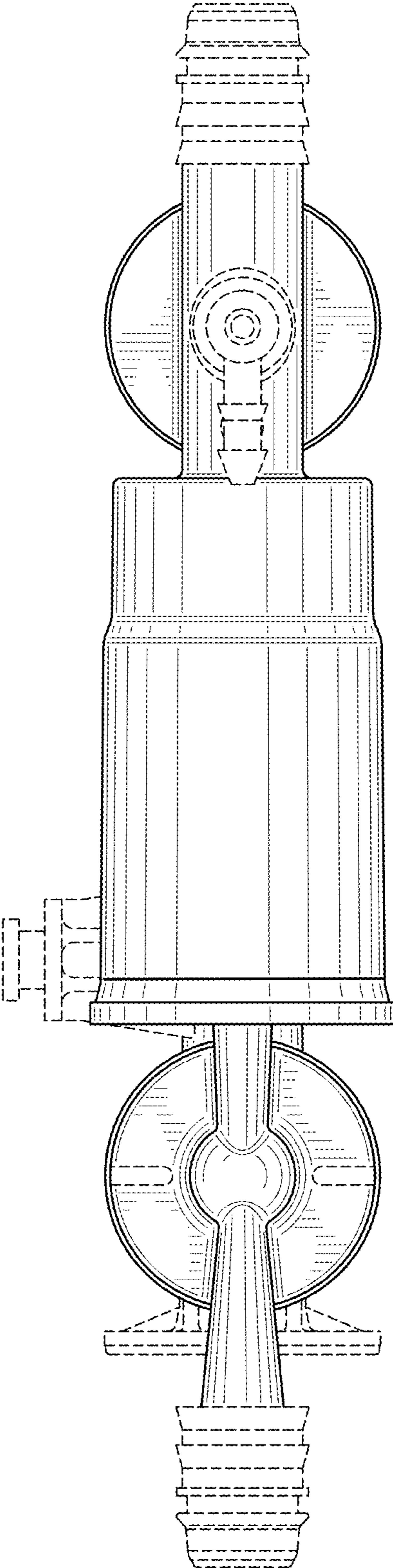


FIG. 7