



US00D840917S

(12) **United States Design Patent** (10) **Patent No.:** **US D840,917 S**
Brooks et al. (45) **Date of Patent:** **** Feb. 19, 2019**

(54) **ARMREST CONTROL CENTER FOR AGRICULTURAL MACHINE**

D581,862 S * 12/2008 Anttila D12/421
D742,807 S * 11/2015 Vissers D12/421
D758,952 S * 6/2016 Erhel D12/421

(71) Applicant: **CNH Industrial America LLC**, New Holland, PA (US)

* cited by examiner

(72) Inventors: **Nathan P. Brooks**, Manitowoc, WI (US); **Steven N. Winkel**, Kiel, WI (US)

Primary Examiner — Abraham Bahta
(74) *Attorney, Agent, or Firm* — Rebecca L. Henkel; Rickard K. DeMille

(73) Assignee: **CNH Industrial America LLC**, New Holland, PA (US)

(57) **CLAIM**

The ornamental design for an armrest control center for agricultural machine, as shown and described.

(**) Term: **15 Years**

DESCRIPTION

(21) Appl. No.: **29/622,068**

FIG. 1 is an isometric view of an armrest control center for an agricultural machine in accordance with the present invention;

(22) Filed: **Oct. 13, 2017**

FIG. 2 is a side elevation view of a first side of the armrest control center of FIG. 1;

(51) **LOC (11) Cl.** **12-16**

FIG. 3 is a side elevation view of a second side of the armrest control center of FIG. 1;

(52) **U.S. Cl.**

USPC **D12/421**

FIG. 4 is a rear elevation view of the armrest control center of FIG. 1;

(58) **Field of Classification Search**

USPC D12/421, 515, 416, 419, 422-424, 192; 180/90; D15/17, 28; 296/190.01, 191, 296/70

FIG. 5 is a front elevation of the armrest control center of FIG. 1;

See application file for complete search history.

FIG. 6 is a top plan view of the armrest control center of FIG. 1; and,

(56) **References Cited**

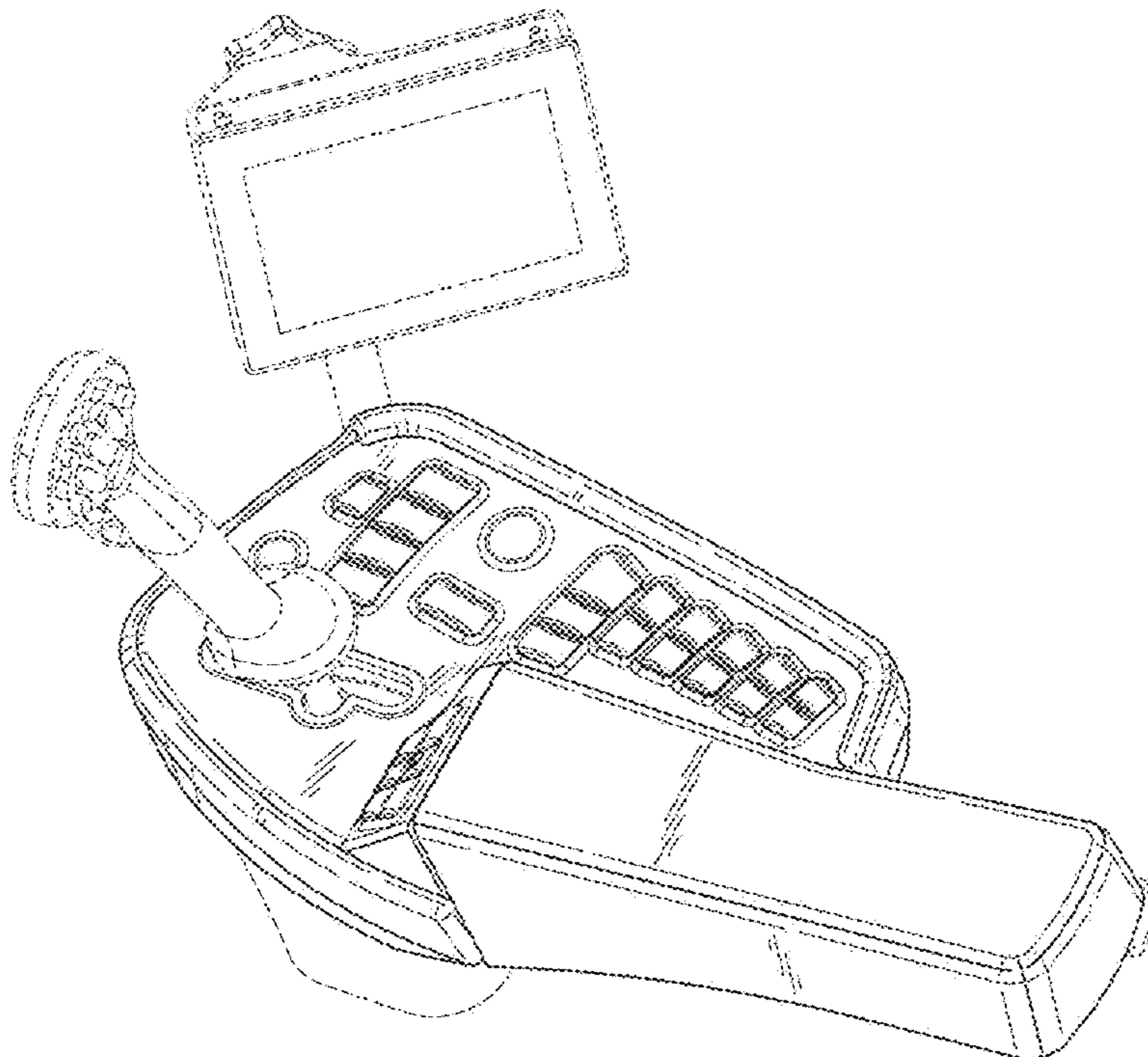
FIG. 7 is a bottom plan view of the armrest control center of FIG. 1.

U.S. PATENT DOCUMENTS

D568,232 S * 5/2008 Motozaki D12/421
D581,861 S * 12/2008 Anttila D12/421

The broken line showing of portions of the armrest control center is included for the purpose of illustrating environmental structure and forms no part of the claimed design.

1 Claim, 7 Drawing Sheets



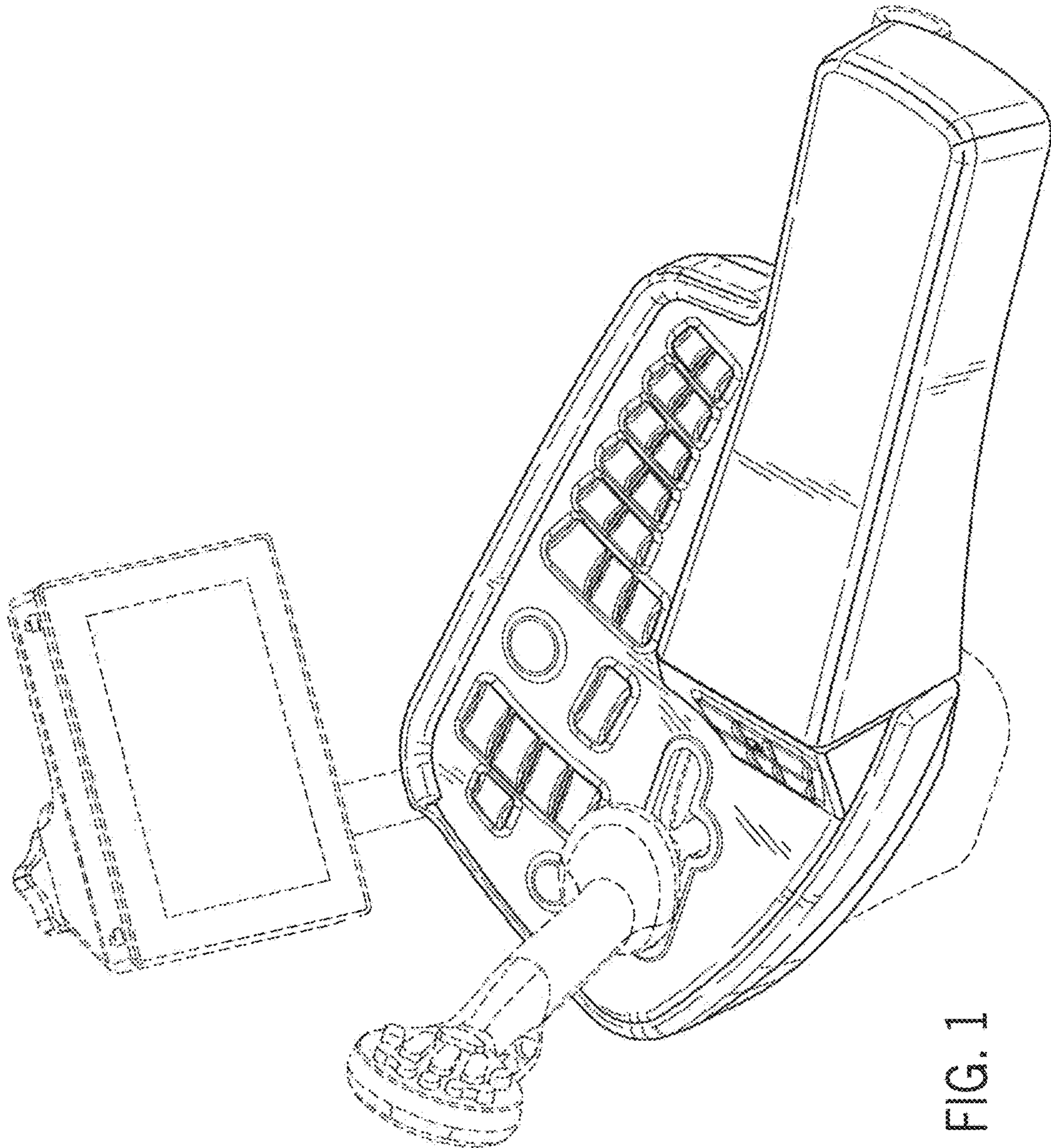


FIG. 1

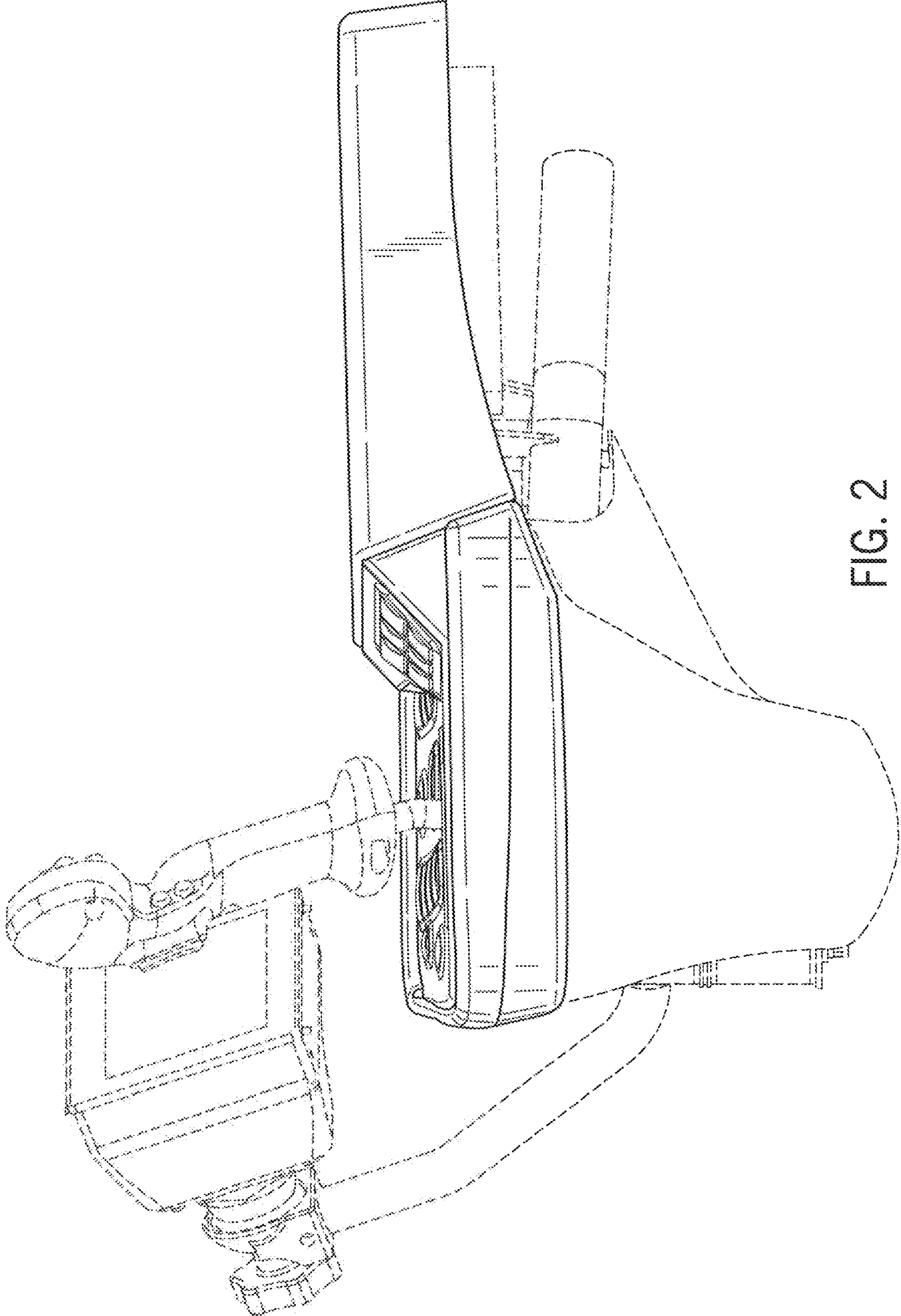


FIG. 2

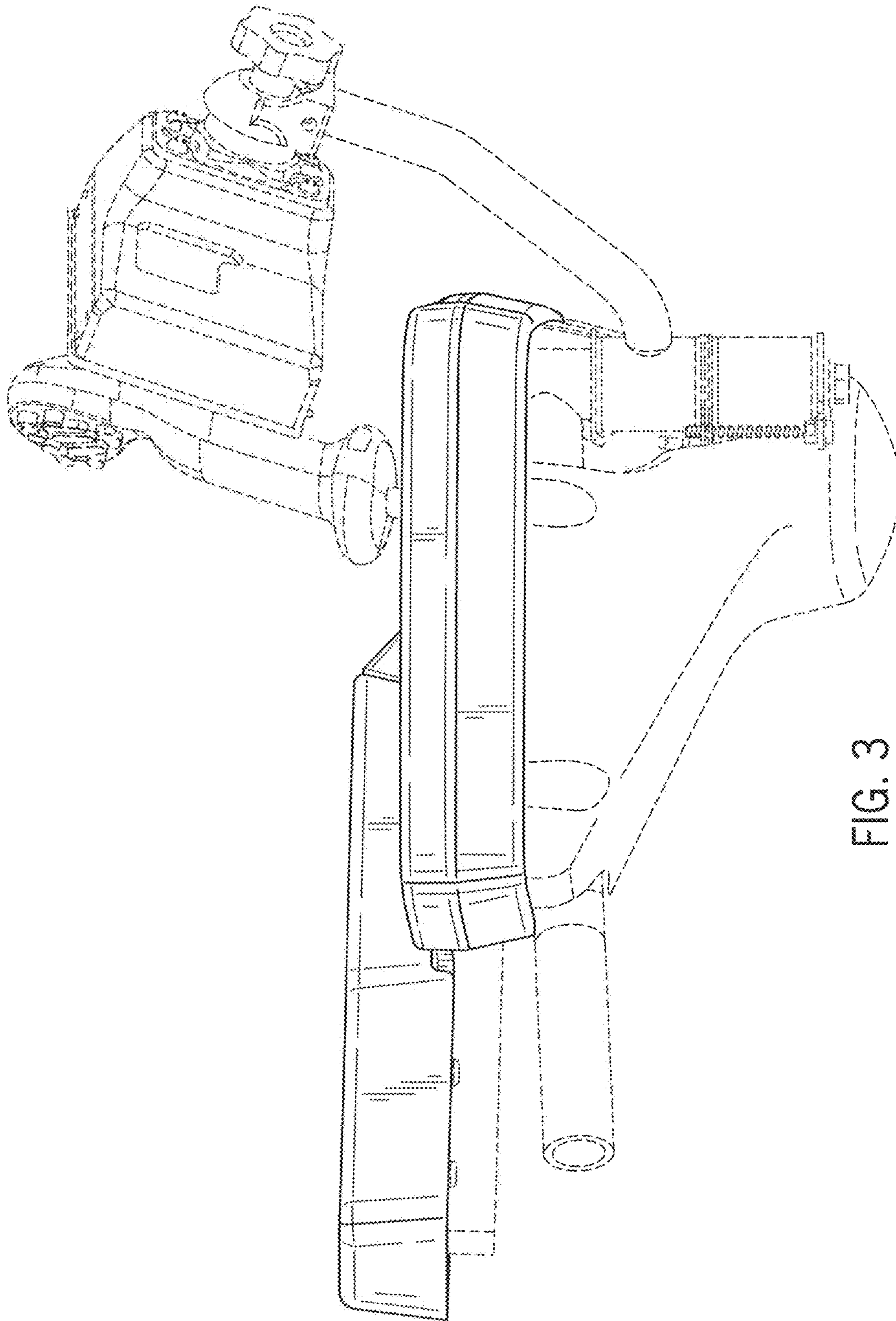


FIG. 3

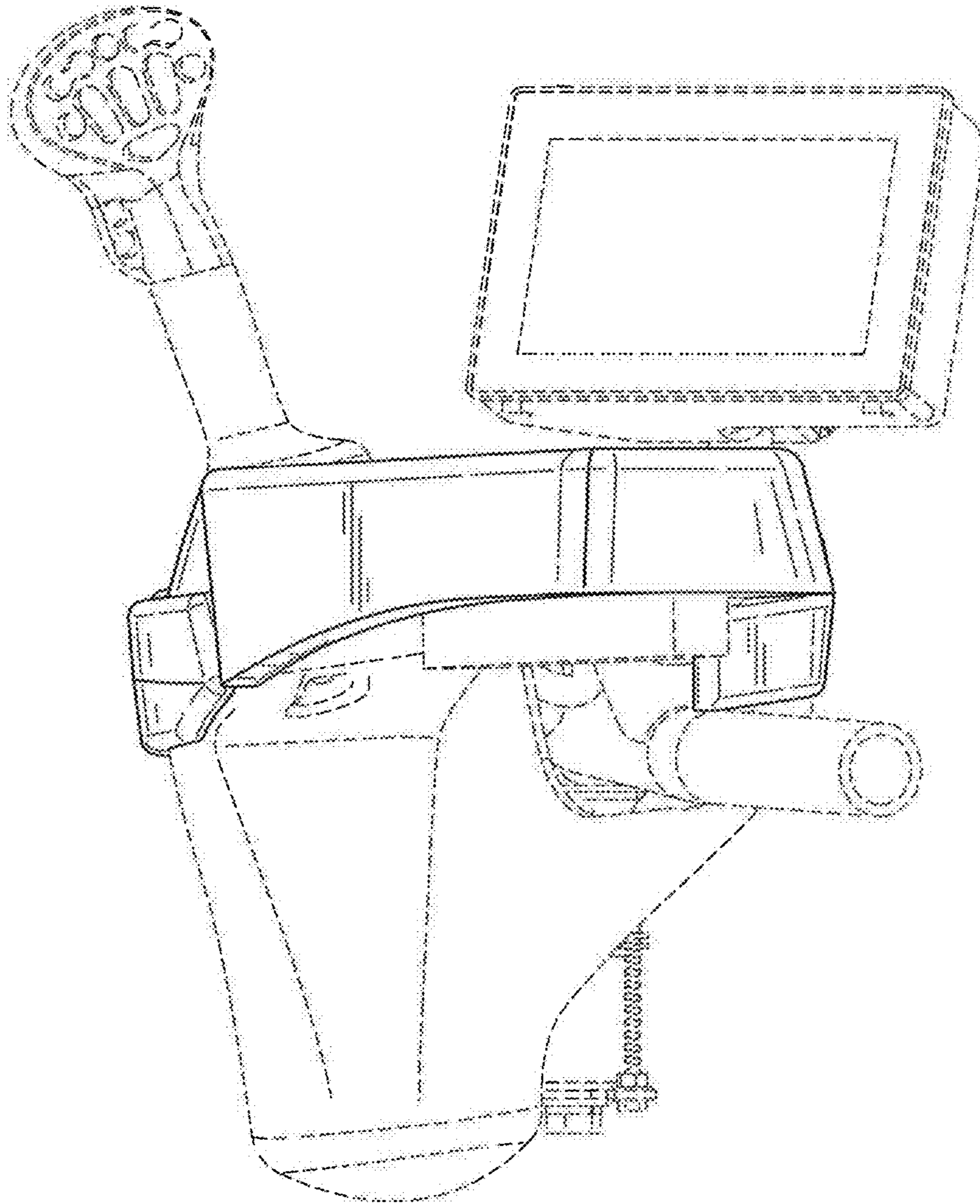


FIG. 4

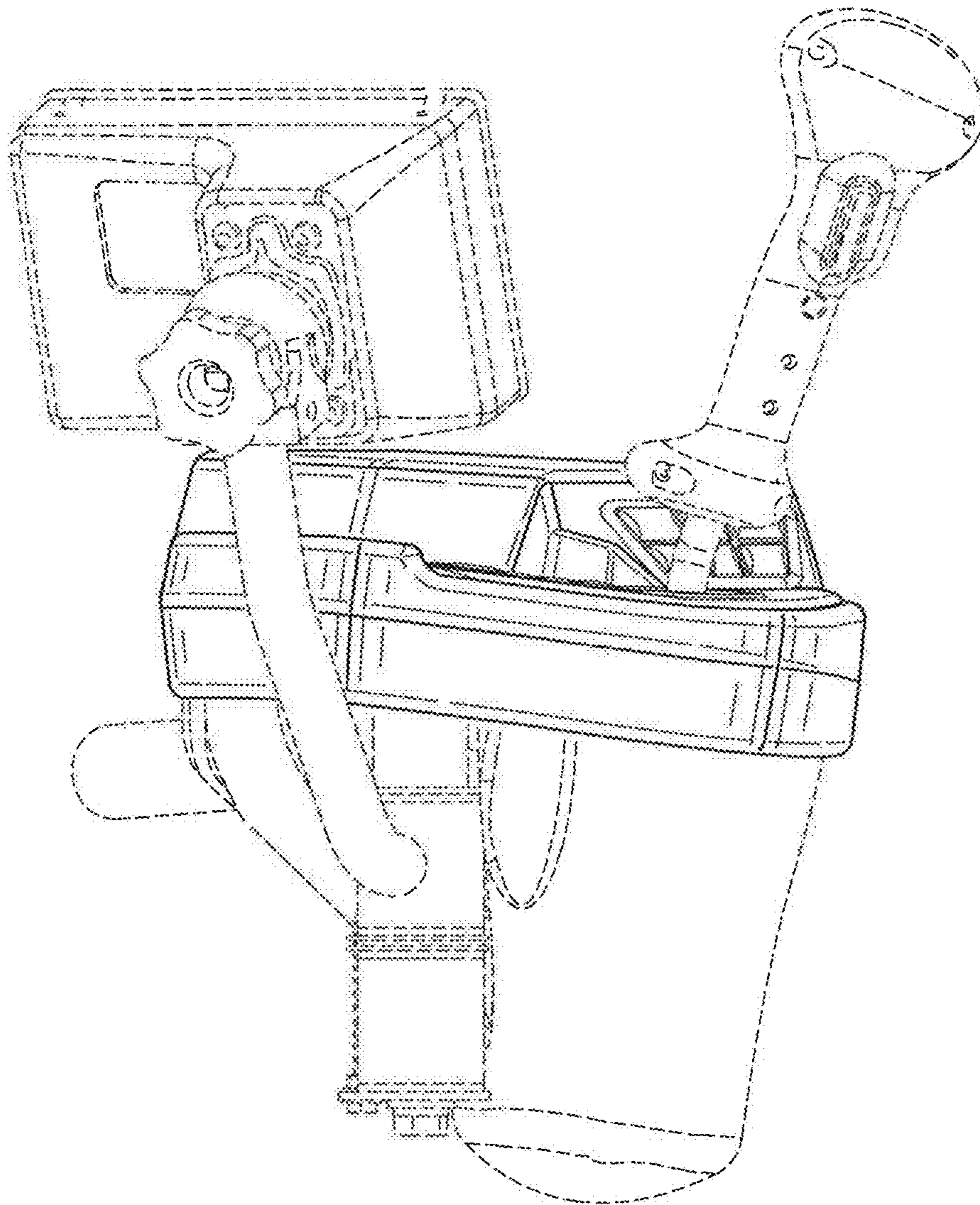


FIG. 5

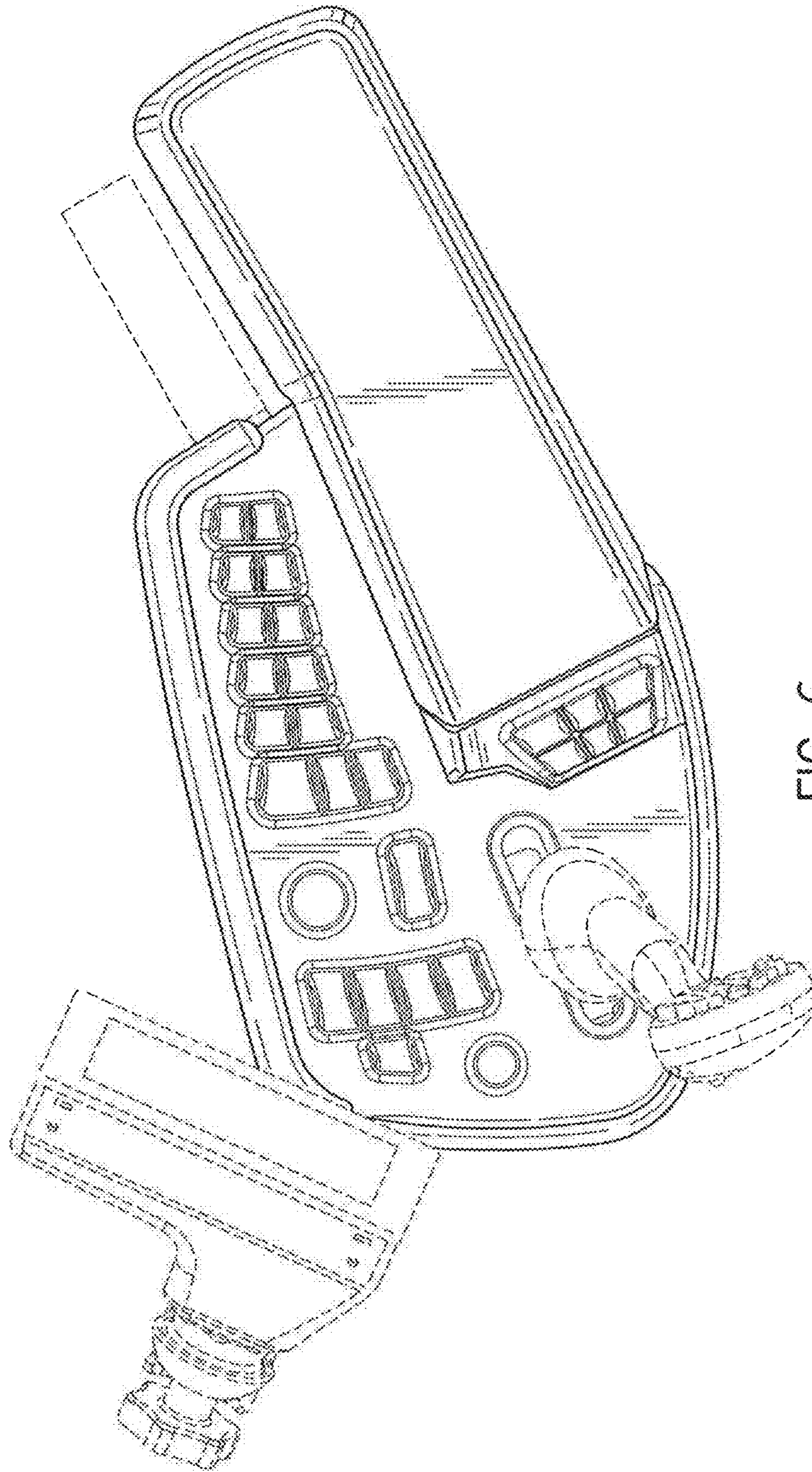


FIG. 6

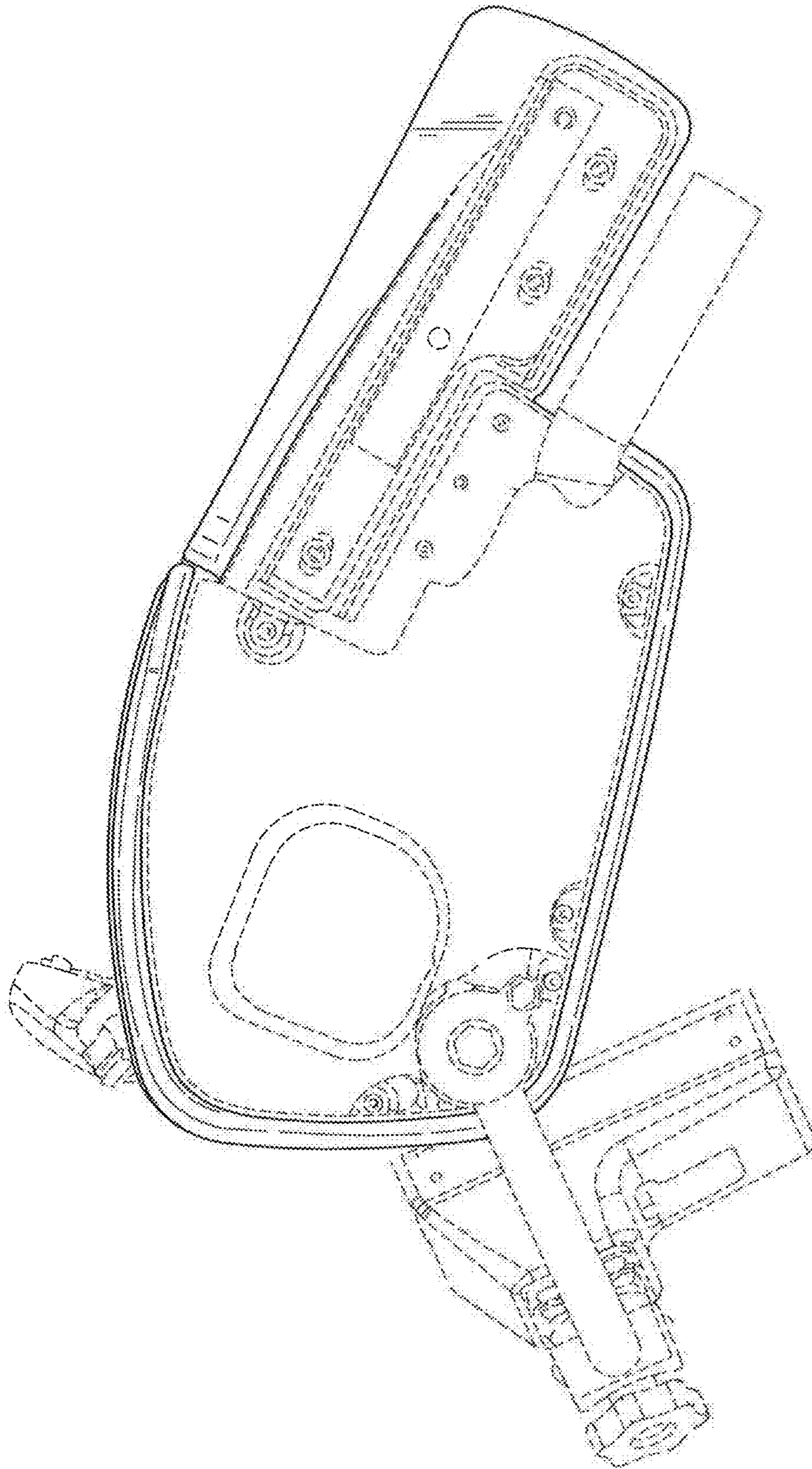


FIG. 7