



US00D840912S

(12) **United States Design Patent**
Nakagiri

(10) **Patent No.:** **US D840,912 S**

(45) **Date of Patent:** **** Feb. 19, 2019**

- (54) **BICYCLE RACK FOR VEHICLE**
- (71) Applicant: **NIPPON SHARYO, LTD.**, Nagoya-shi, Aichi (JP)
- (72) Inventor: **Takahisa Nakagiri**, Toyokawa (JP)
- (73) Assignee: **NIPPON SHARYO, LTD.**, Nagoya-shi (JP)
- (**) Term: **15 Years**
- (21) Appl. No.: **29/605,124**
- (22) Filed: **May 24, 2017**

- 5,833,074 A * 11/1998 Phillips B60R 9/10
211/21
- 5,862,966 A * 1/1999 Mehls B60R 9/06
224/504
- D409,134 S * 5/1999 Will D12/407
- D430,532 S * 9/2000 Frazier B62J 7/02
D12/407
- D436,074 S * 1/2001 McCoy D12/407
- 6,331,094 B1 * 12/2001 Burrows B60P 3/077
410/3
- D497,873 S * 11/2004 Graber B62H 3/00
D12/407
- D504,362 S * 4/2005 Thompson D12/115
- D632,228 S * 2/2011 Marin D12/115
- D710,783 S * 8/2014 Behar D12/407

(Continued)

(30) **Foreign Application Priority Data**

Nov. 29, 2016 (JP) 2016-025867

- (51) **LOC (11) Cl.** **12-16**
- (52) **U.S. Cl.**
USPC **D12/407**

(58) **Field of Classification Search**

USPC D12/86, 91, 169, 214, 407, 88, 92, 215,
D12/406, 412-414, 414.1, 16.1, 300, 305,
D12/317, 319, 328, 330, 344-345, 110,
D12/114, 126, 409-410, 415, 115, 120,
D12/402, 408, 553-604, 900

CPC .. B60R 9/00; B60R 9/04; B60R 9/042; B60R
9/0423; B60R 9/045; B60R 9/0485; B60R
9/05; B60R 9/052; B60R 9/055; B60R
9/058; B60R 9/06; B60R 9/10; B60R
9/048

See application file for complete search history.

(56) **References Cited**

U.S. PATENT DOCUMENTS

- D263,945 S * 4/1982 Voegeli D12/115
- 5,667,118 A * 9/1997 Faasse B62J 7/02
224/419

Primary Examiner — Robin V Webster

Assistant Examiner — Rachel A Voorhies

(74) *Attorney, Agent, or Firm* — Oliff PLC

(57) **CLAIM**

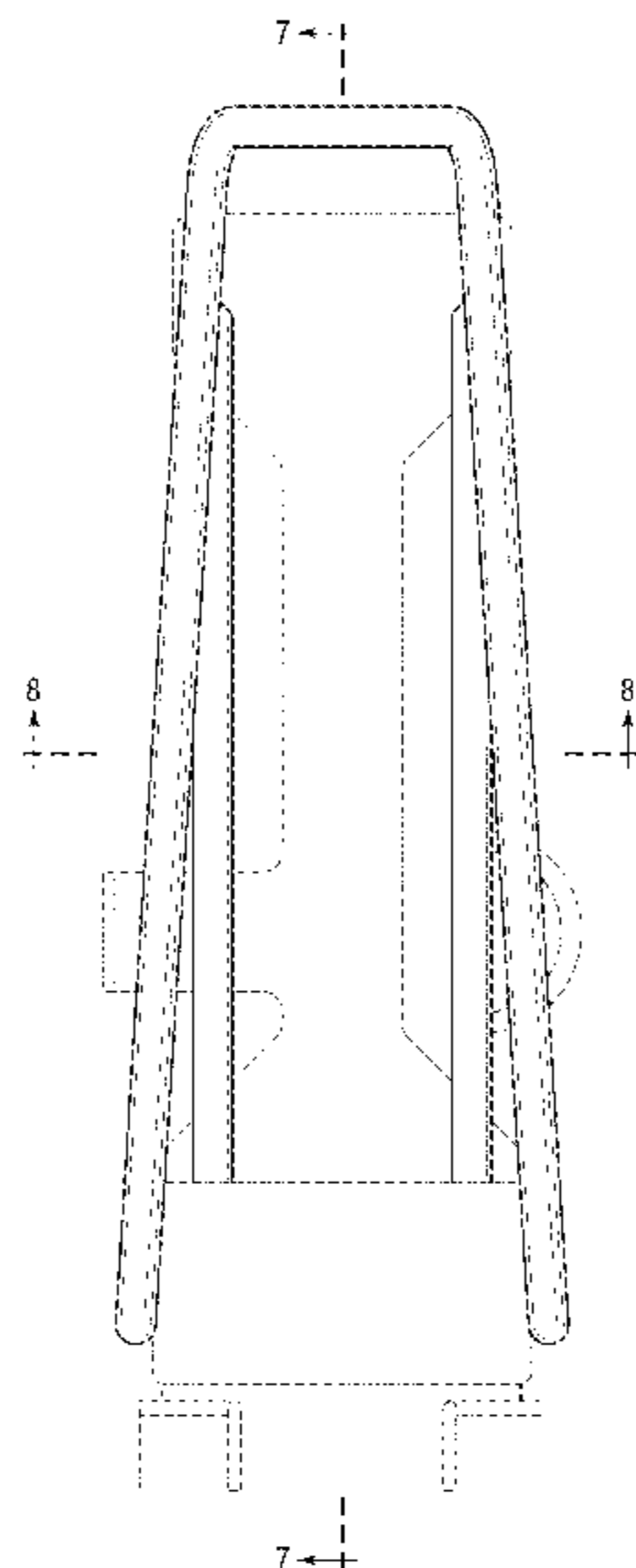
The ornamental design for a bicycle rack for vehicle, as shown and described.

DESCRIPTION

FIG. 1 is a front view of a bicycle rack for vehicle;
 FIG. 2 is a rear view thereof;
 FIG. 3 is a left-side view thereof;
 FIG. 4 is a right-side view thereof;
 FIG. 5 is a top view thereof;
 FIG. 6 is a bottom view thereof;
 FIG. 7 is a sectional view thereof taken along 7-7 in FIG. 1;
 FIG. 8 is a sectional view thereof taken along 8-8 in FIG. 1;
 FIG. 9 is a reference right-side view thereof showing the rack in an open state; and,
 FIG. 10 is a reference right-side view thereof showing the rack in a state of use.

The broken lines depict environmental subject matter only and form no part of the claimed design.

1 Claim, 7 Drawing Sheets



(56)

References Cited

U.S. PATENT DOCUMENTS

D715,698 S * 10/2014 Weeks B60R 9/06
D12/115
D715,856 S * 10/2014 Lozano D19/34.1
D730,247 S * 5/2015 Weeks D12/115
D825,397 S * 8/2018 Nakagiri D12/115
D825,398 S * 8/2018 Nakagiri B60R 9/10
D12/115
D825,399 S * 8/2018 Nakagiri B60P 3/077
D12/115
2014/0308101 A1 * 10/2014 Brutsaert B60R 9/06
414/462

* cited by examiner

FIG. 1

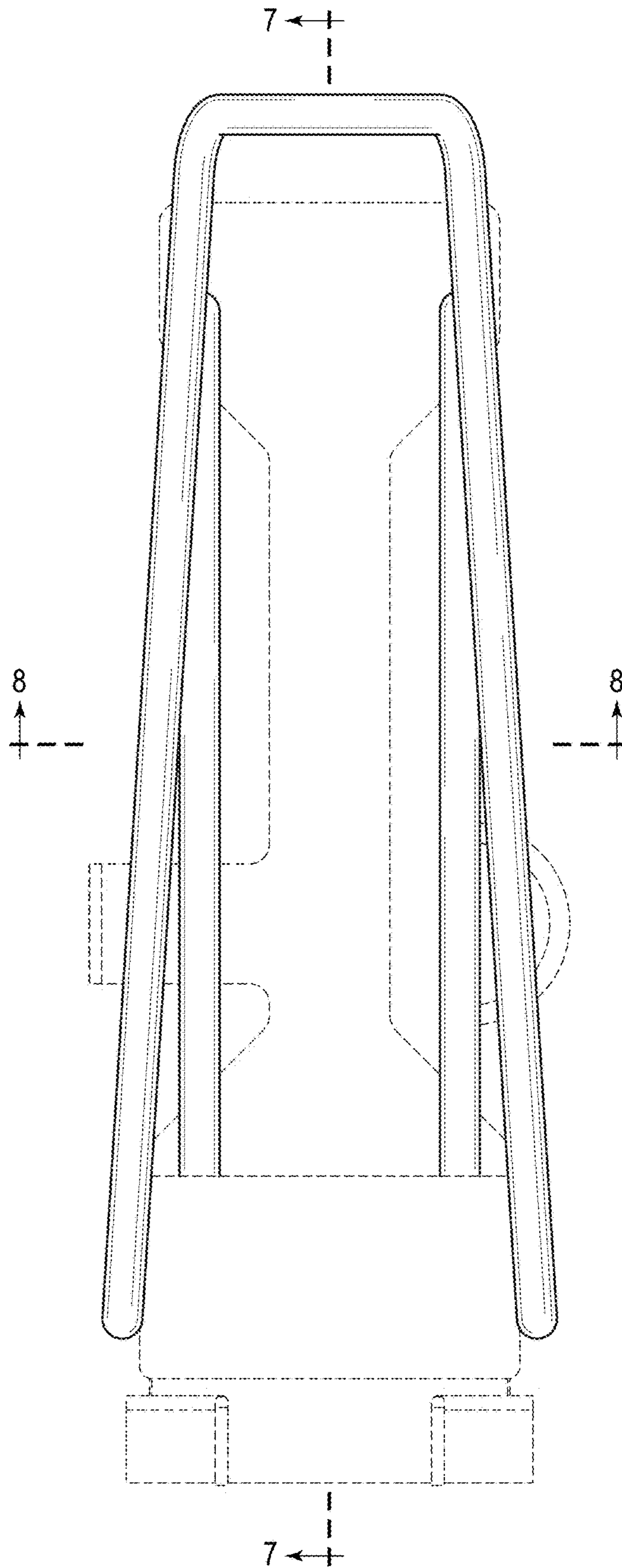


FIG. 2

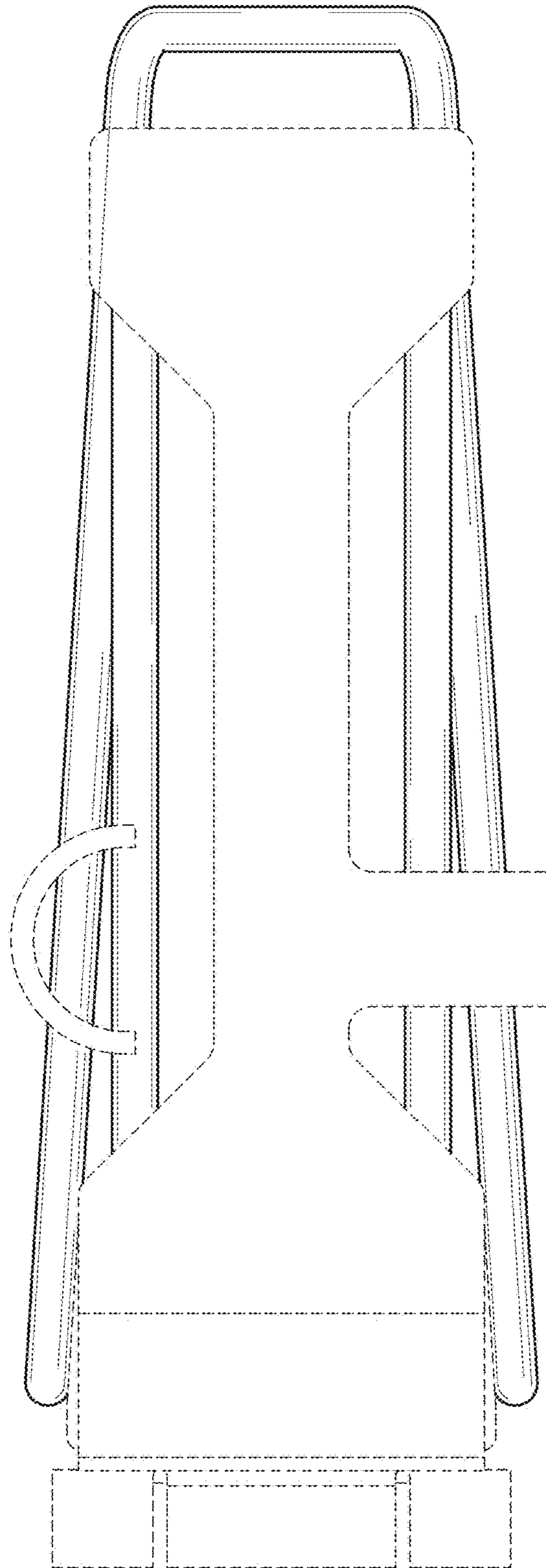


FIG. 3

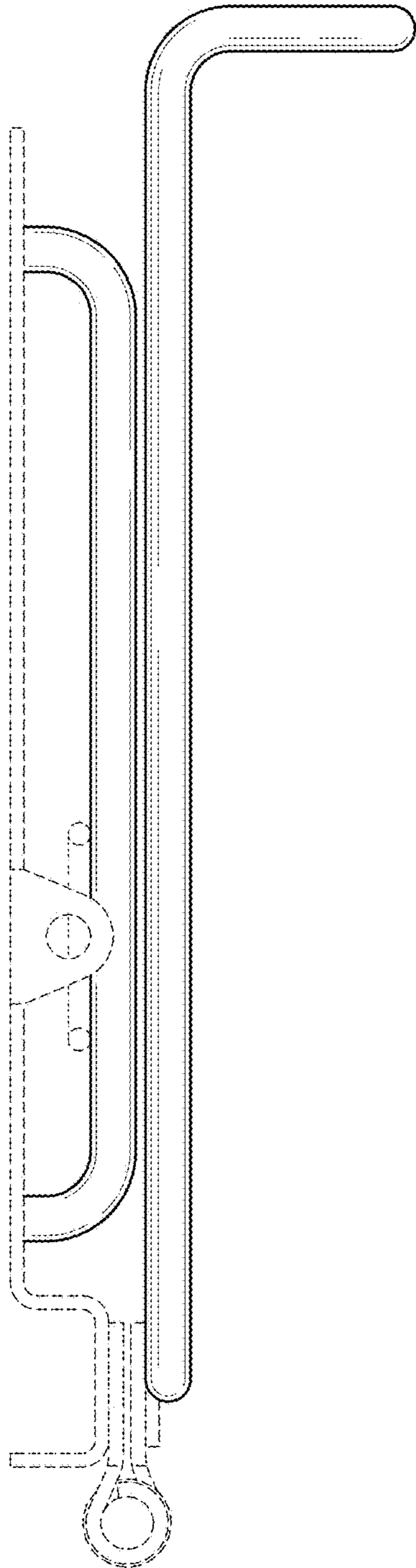
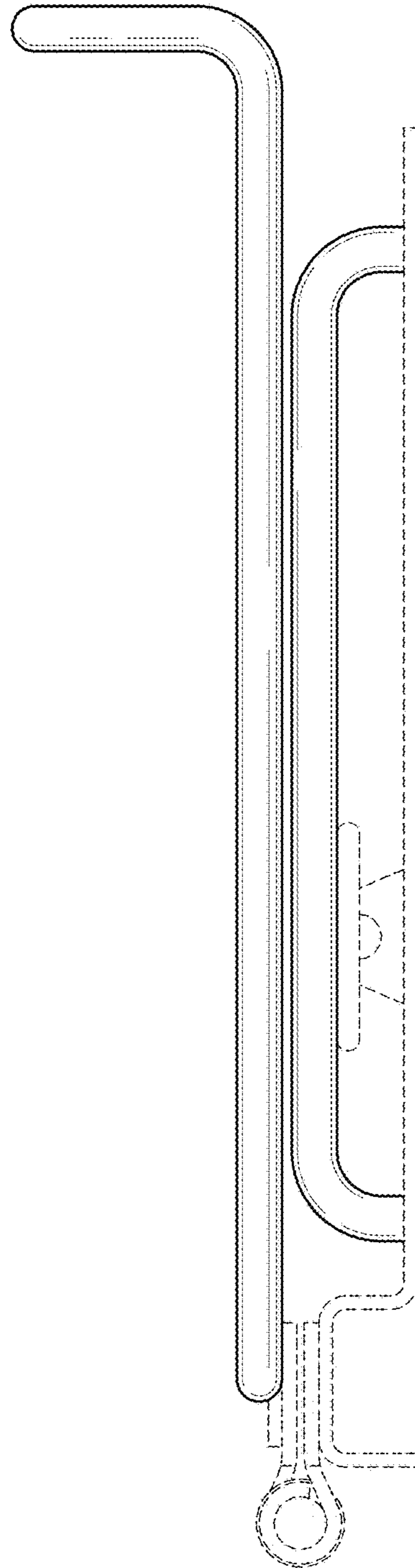


FIG. 4



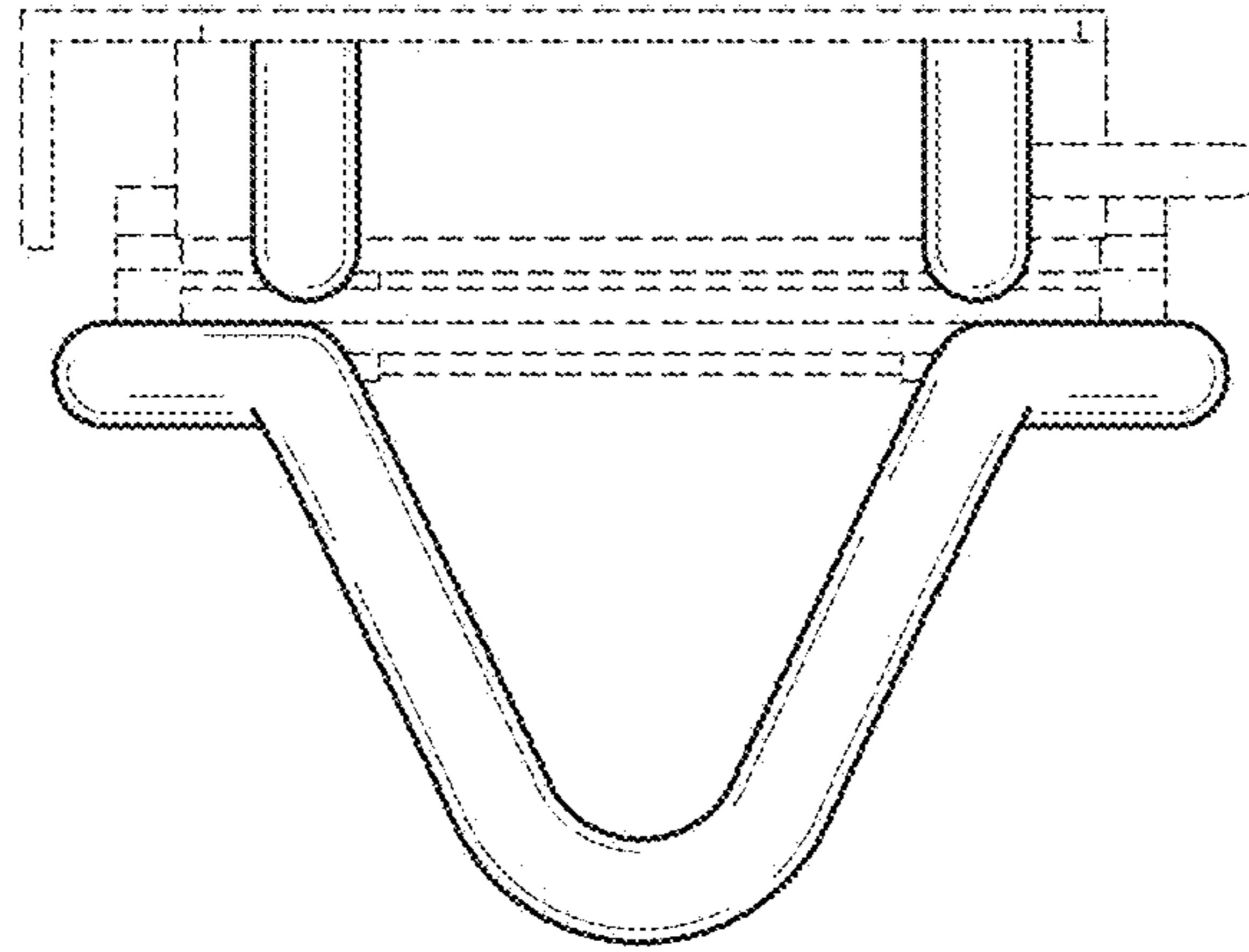


FIG. 5

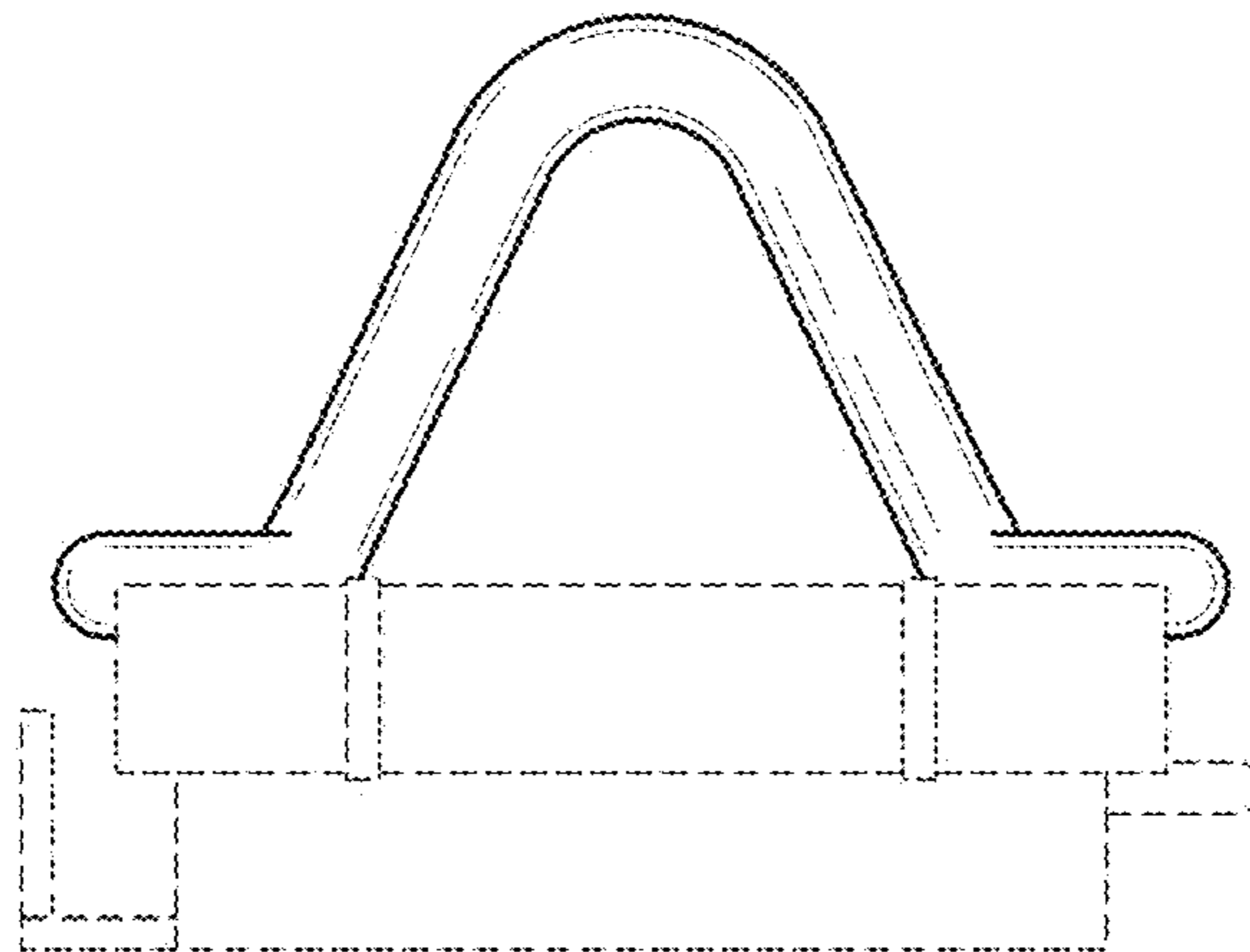


FIG. 6

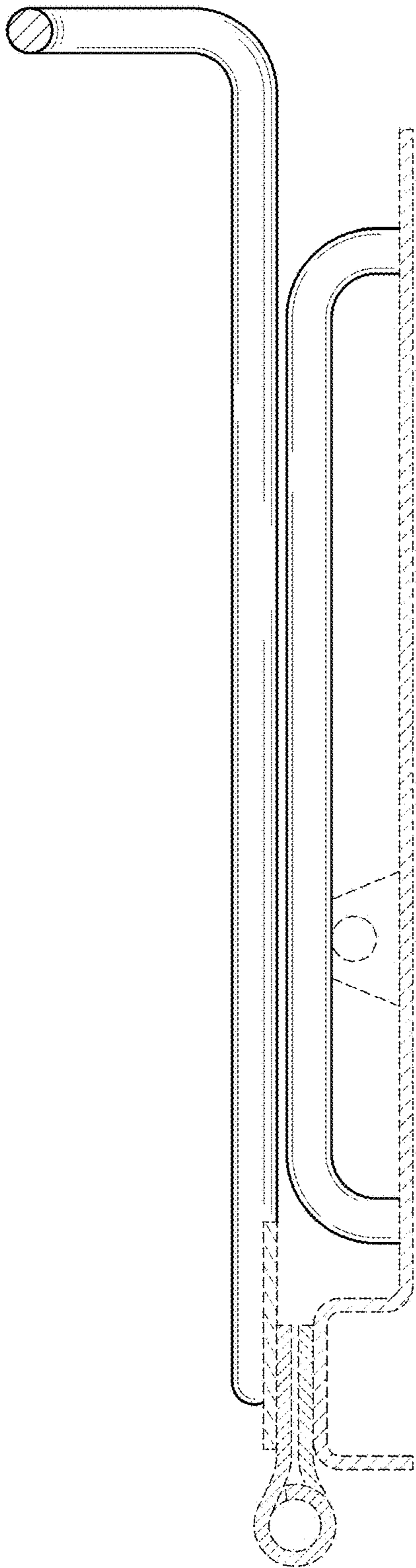


FIG. 7

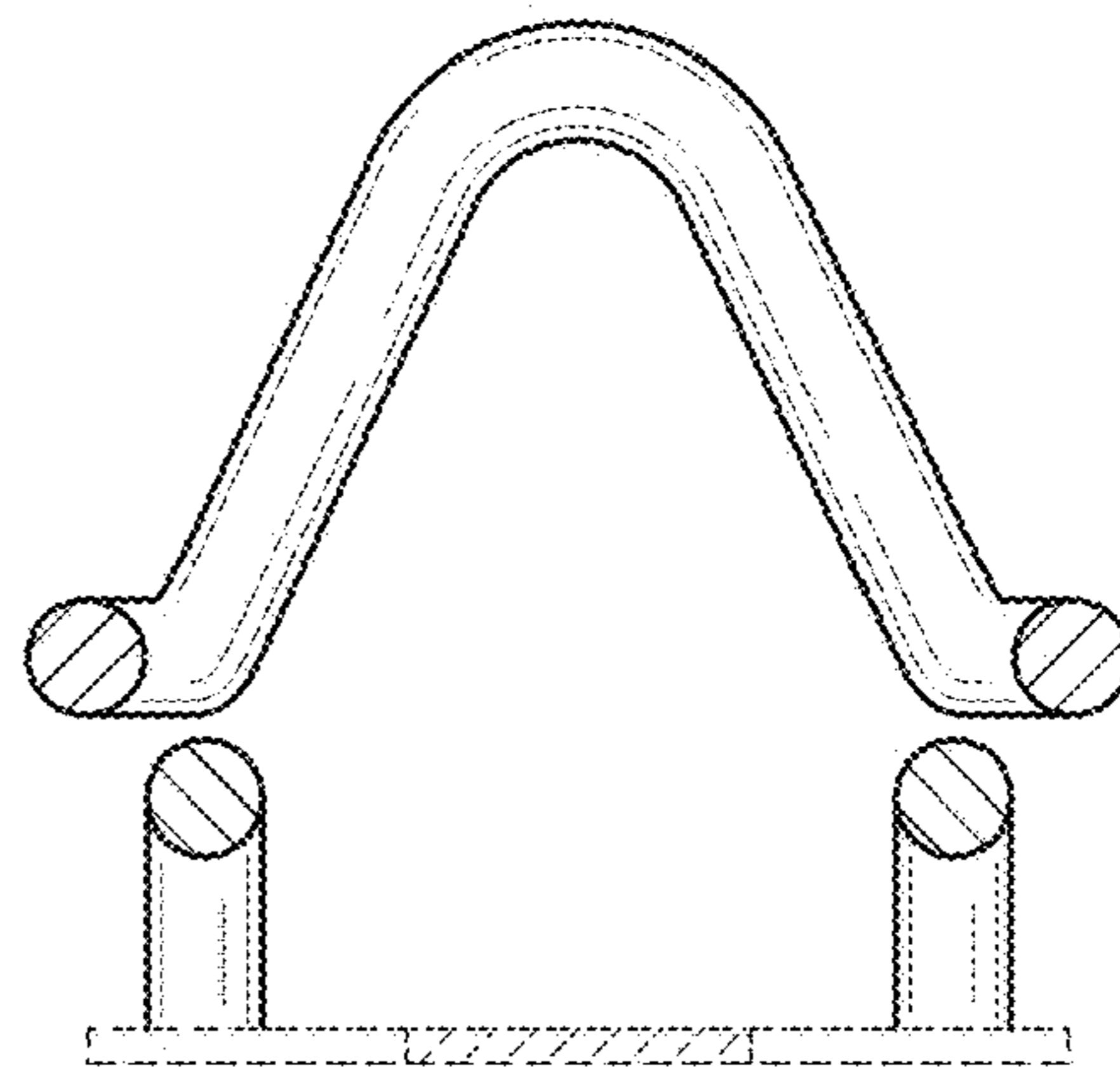


FIG. 8

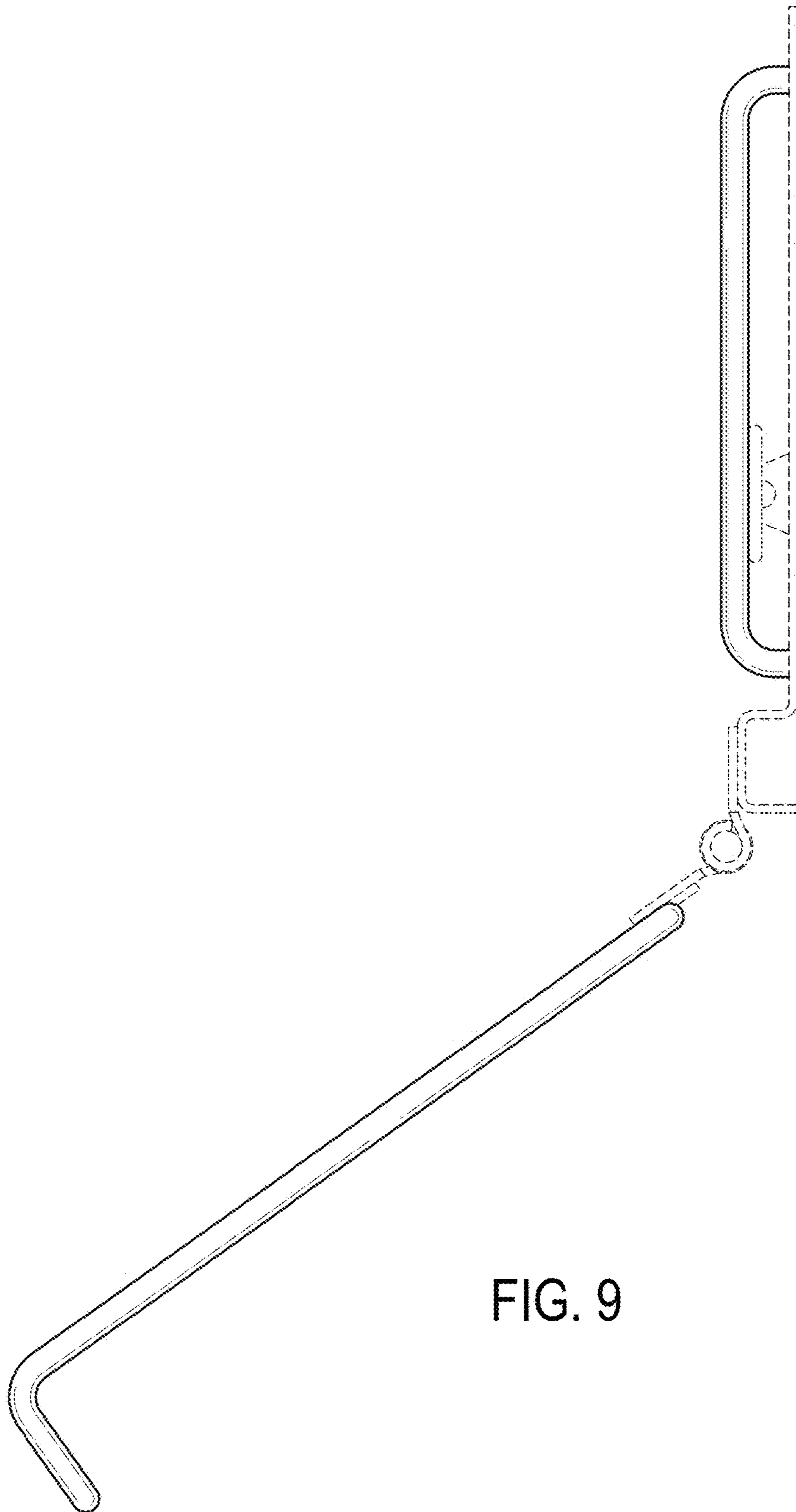


FIG. 9

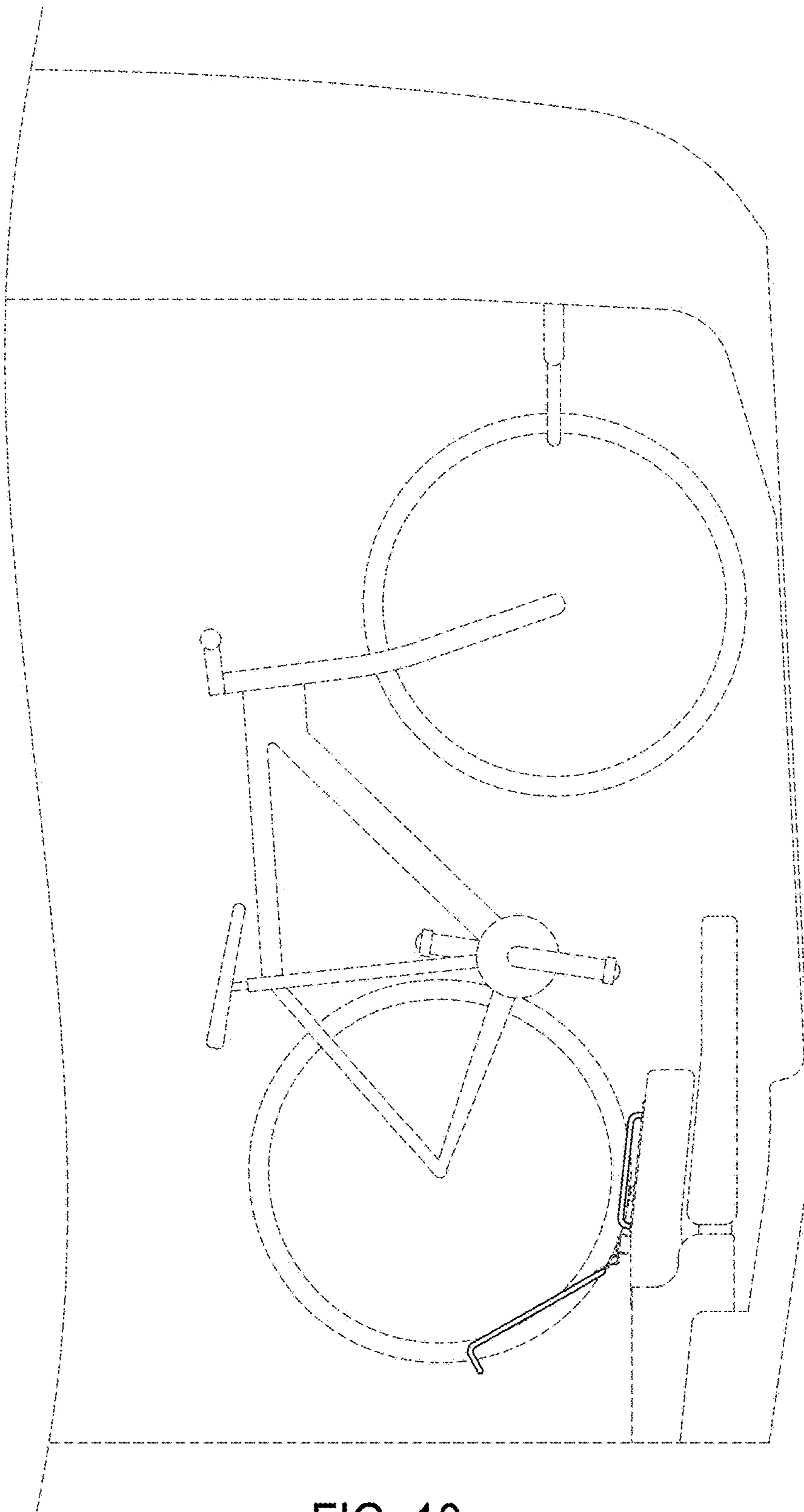


FIG. 10