



US00D840908S

(12) **United States Design Patent** (10) **Patent No.:** **US D840,908 S**
Rike (45) **Date of Patent:** **** Feb. 19, 2019**

(54) **CYLINDER SUPPORT SYSTEM**
(71) Applicant: **WORTHINGTON INDUSTRIES, INC.**, Columbus, OH (US)
(72) Inventor: **James Rike**, Mooresville, IN (US)
(73) Assignee: **WORTHINGTON INDUSTRIES, INC.**, Columbus, OH (US)

D273,606 S 4/1984 Landry
D294,994 S 3/1988 Burgett
4,925,235 A 5/1990 Fingerle
5,054,799 A 10/1991 Fingerle
RE33,934 E 5/1992 Oetiker
5,810,309 A 9/1998 Augustine
D414,405 S 9/1999 Tompkins
5,996,207 A 12/1999 Brown et al.

(Continued)

(**) Term: **15 Years**
(21) Appl. No.: **29/640,271**
(22) Filed: **Mar. 13, 2018**

FOREIGN PATENT DOCUMENTS

WO 199623721 8/1996
WO 200168446 9/2001

(Continued)

Primary Examiner — T Chase Nelson
Assistant Examiner — Ania Aman

(74) *Attorney, Agent, or Firm* — Tucker Ellis LLP; Carlos Garritano

Related U.S. Application Data

(63) Continuation of application No. 29/565,543, filed on May 21, 2016, now Pat. No. Des. 816,010.

(51) **LOC (11) Cl.** **12-06**

(52) **U.S. Cl.**
USPC **D12/223; D8/396**

(58) **Field of Classification Search**
USPC D15/5; D23/393; D12/223; D8/380,
D8/373, 354, 356, 394–396, 349, 363,
D8/355, 364, 366, 371, 381
CPC B60K 15/07; B60K 15/03006; B60K
15/063; B60K 15/067; B60R 19/04;
B60R 19/023; B60R 19/42; B60R 19/24;
B60R 19/48

See application file for complete search history.

(56) **References Cited**

U.S. PATENT DOCUMENTS

845,578 A 2/1907 Austin
2,357,148 A 8/1944 Turner
2,410,182 A * 10/1946 Prior B60K 15/067
248/315
D204,313 S 4/1966 Engman et al.
D253,091 S 10/1979 Fritz

(57) **CLAIM**

The ornamental design for a cylinder support system, as shown and described.

DESCRIPTION

FIG. 1 is a perspective view of a cylinder support system showing my new design;

FIG. 2 is a side view of the cylinder support system illustrated in FIG. 1 with the opposite side being a mirror image thereof;

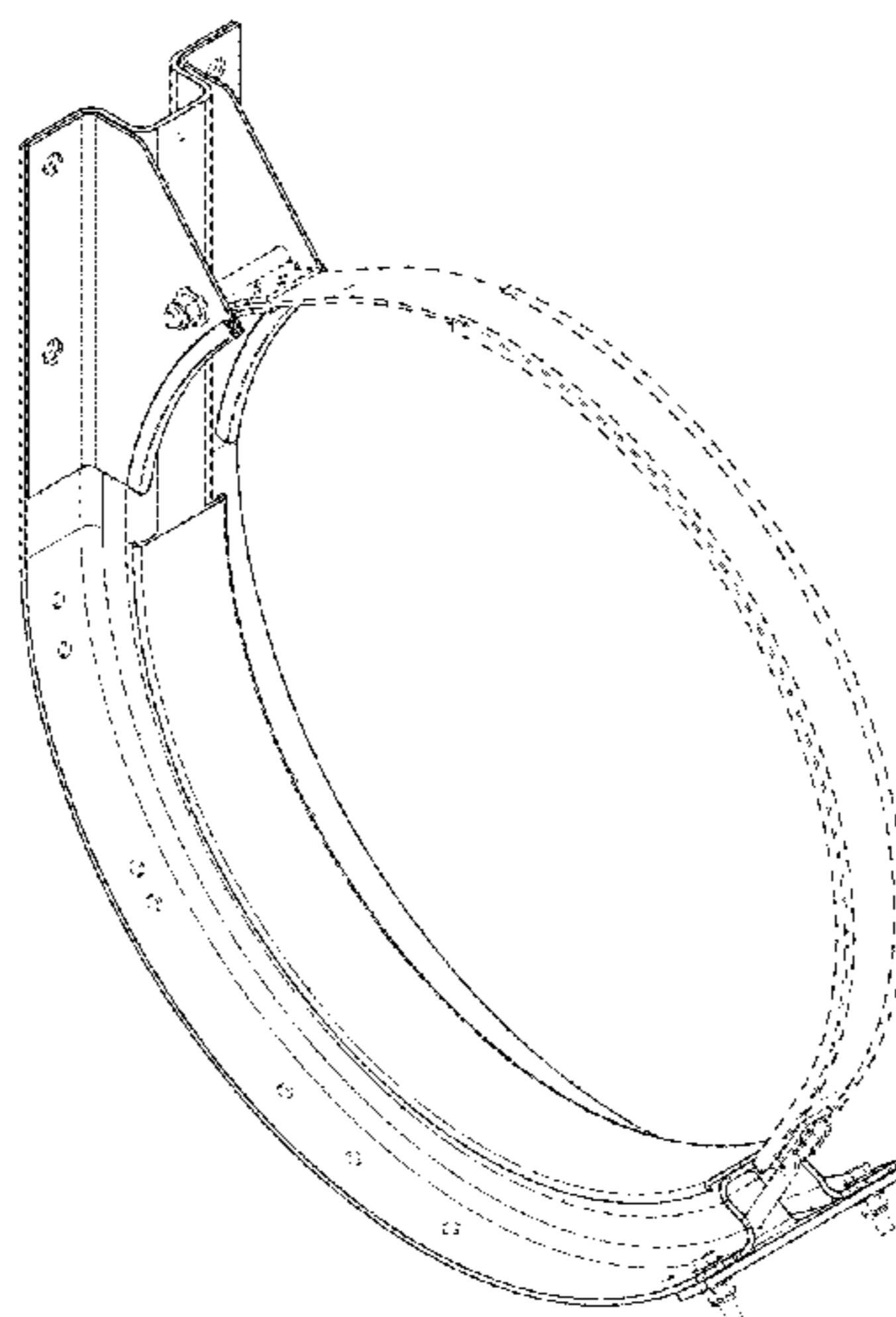
FIG. 3 is a rear view of the cylinder support system illustrated in FIG. 1;

FIG. 4 is a front view of the cylinder support system illustrated in FIG. 1; and,

FIG. 5 is a top view of the cylinder support system illustrated in FIG. 1.

In the drawings, the broken lines depict unclaimed portions of the cylinder support system and form no part of the claimed design.

1 Claim, 4 Drawing Sheets



(56)

References Cited

U.S. PATENT DOCUMENTS

6,029,989 A * 2/2000 Stuart B60R 3/00
182/150

6,042,071 A 3/2000 Watanabe
6,053,533 A 4/2000 Osborn
D442,538 S 5/2001 Wagner
6,257,360 B1 7/2001 Wozniak et al.
6,347,678 B1 2/2002 Osborn
6,402,198 B2 6/2002 Gollungberg
6,634,321 B2 10/2003 Hussain et al.
7,117,896 B2 10/2006 Eberling
7,305,836 B2 12/2007 Egan
D591,324 S 4/2009 Sukhov
D632,555 S 2/2011 Sarkissian
D646,214 S 2/2011 Sarkissian
D646,618 S 10/2011 Mulanon
D646,619 S 10/2011 Mulanon
D655,669 S 3/2012 Matijevich
D704,900 S 5/2014 Childs et al.
8,944,469 B2 2/2015 Mulanon
9,033,178 B2 5/2015 White
9,057,483 B2 6/2015 Espinosa-Loza et al.
9,120,372 B2 9/2015 Sloan
9,145,052 B2 9/2015 De Biasi
9,193,261 B2 11/2015 Sloan et al.
9,217,519 B2 12/2015 Masters et al.
9,217,538 B2 12/2015 Griffith et al.
9,234,625 B2 1/2016 Sirosh
9,249,931 B2 2/2016 Morales et al.

9,266,642 B2 2/2016 Prakash et al.
9,434,333 B2 9/2016 Sloan
D782,931 S 4/2017 Takakuwa
9,756,780 B2 9/2017 Blunier
9,908,406 B2 * 3/2018 Rike B60K 15/07
9,909,535 B2 * 3/2018 Sirosh F02M 21/0221

2002/0005312 A1 1/2002 Gollungberg
2003/0001059 A1 1/2003 Kim et al.
2003/0029977 A1 2/2003 Kim
2006/0006635 A1 1/2006 Sonderegger
2006/0061081 A1 3/2006 Kresse et al.
2007/0170180 A1 7/2007 Watanabe
2009/0114784 A1 5/2009 Tam
2013/0069357 A1 3/2013 Green
2013/0306695 A1 11/2013 Guaresimo
2014/0174159 A1 6/2014 Kim
2014/0175782 A1 6/2014 Sloan
2015/0096977 A1 4/2015 Sirosh et al.
2016/0082910 A1 3/2016 Sloan et al.
2016/0332514 A1 11/2016 Arold et al.
2017/0057348 A1 3/2017 Arold et al.
2017/0334288 A1 11/2017 Rike

FOREIGN PATENT DOCUMENTS

WO 2011152733 12/2011
WO 2013168080 11/2013
WO 2014149060 9/2014
WO 2015014517 2/2015
WO 2015175842 11/2015

* cited by examiner

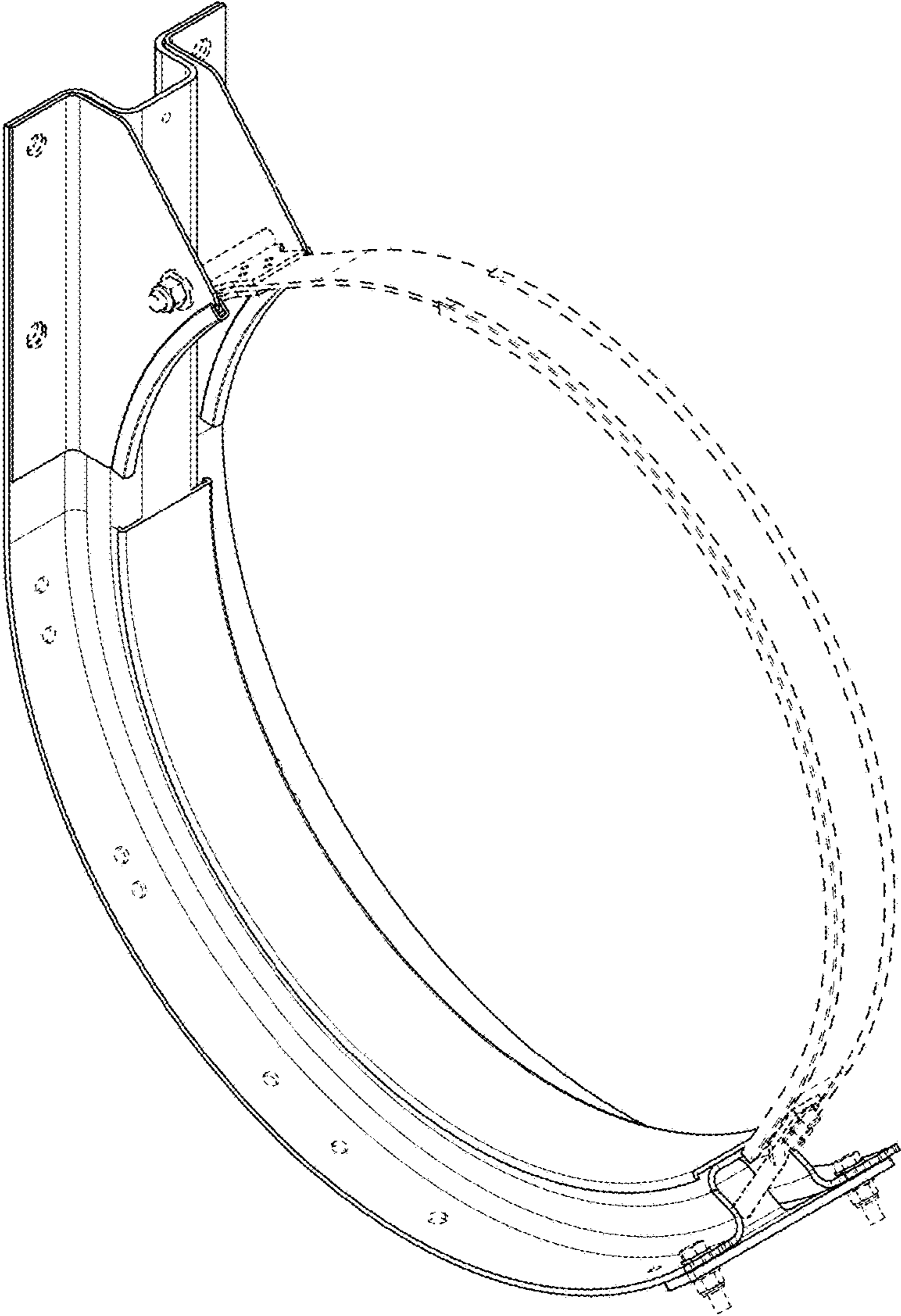


FIG. 1

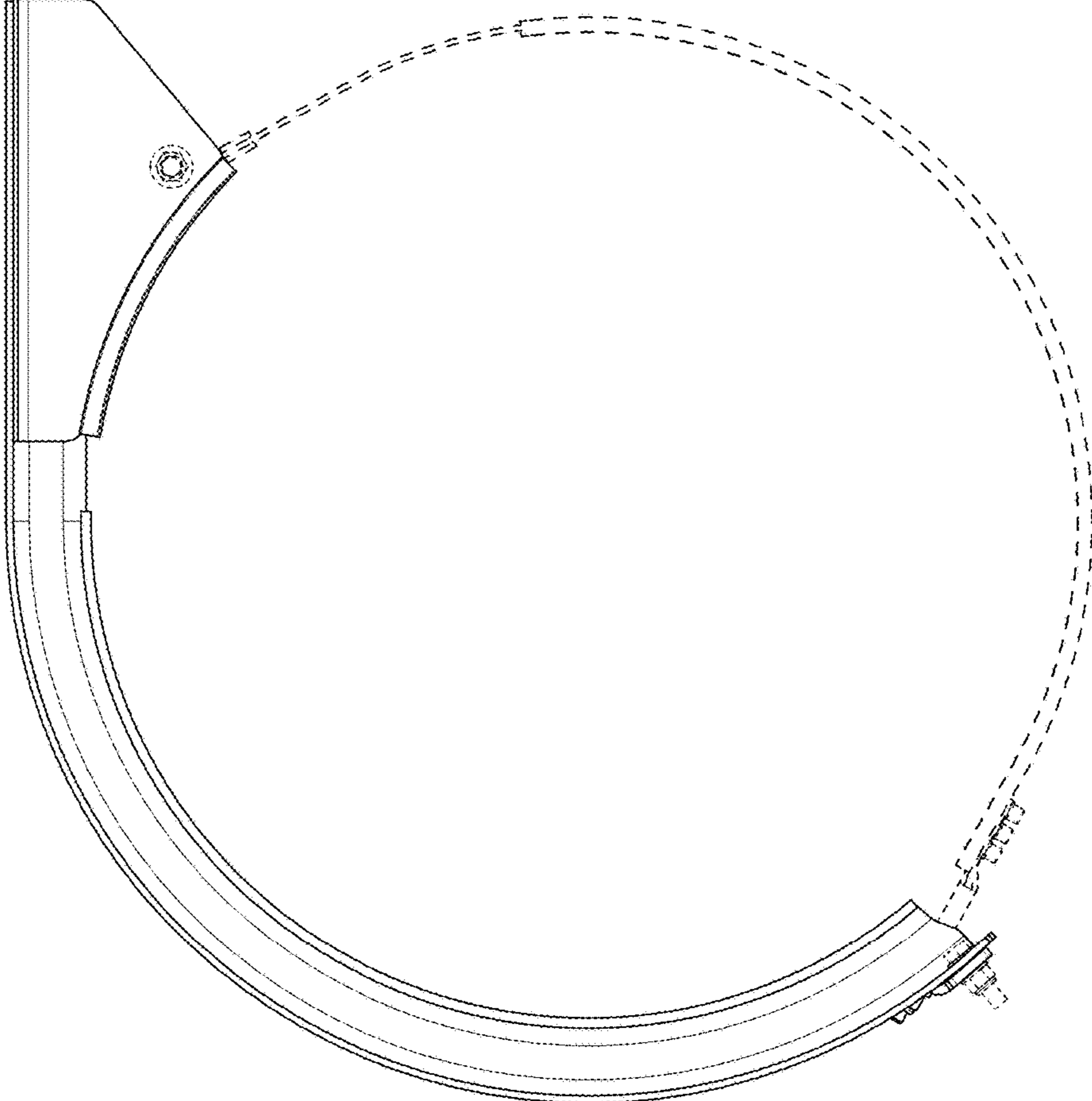


FIG. 2

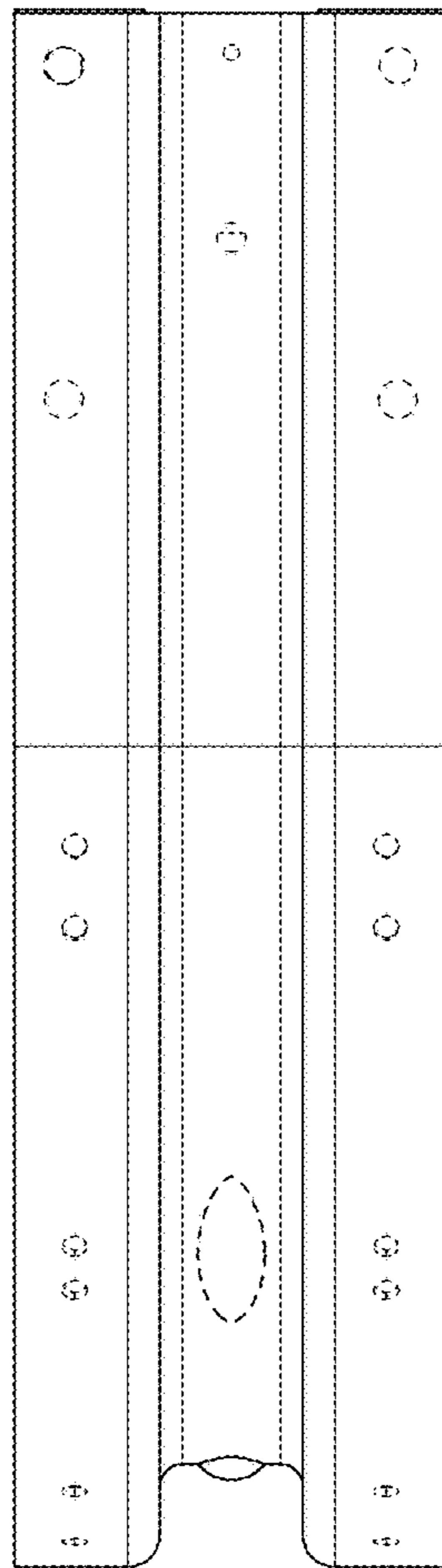


FIG. 3

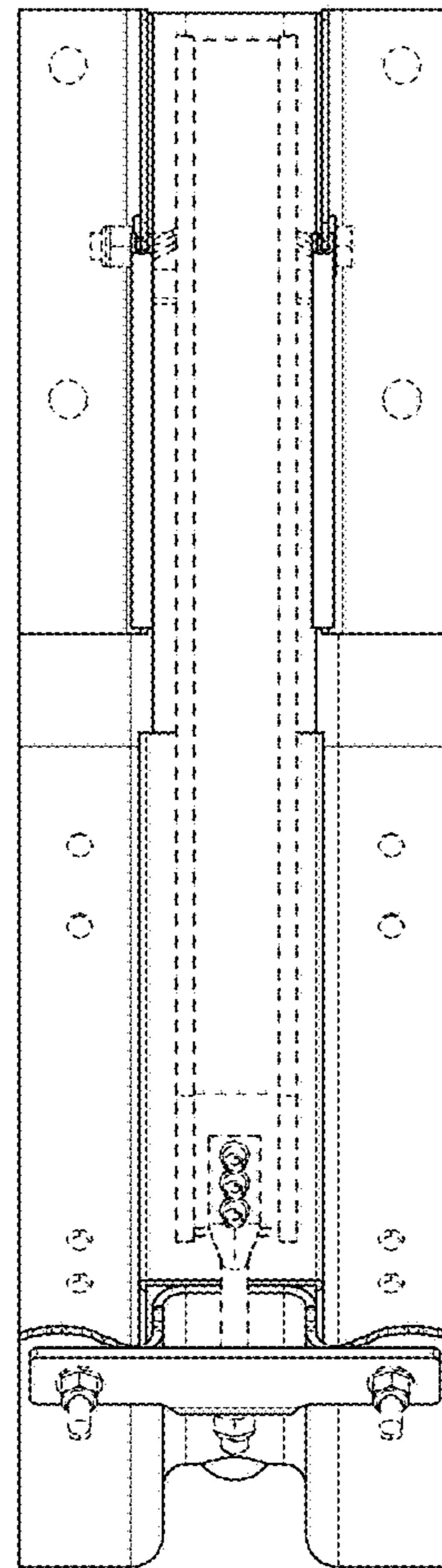


FIG. 4

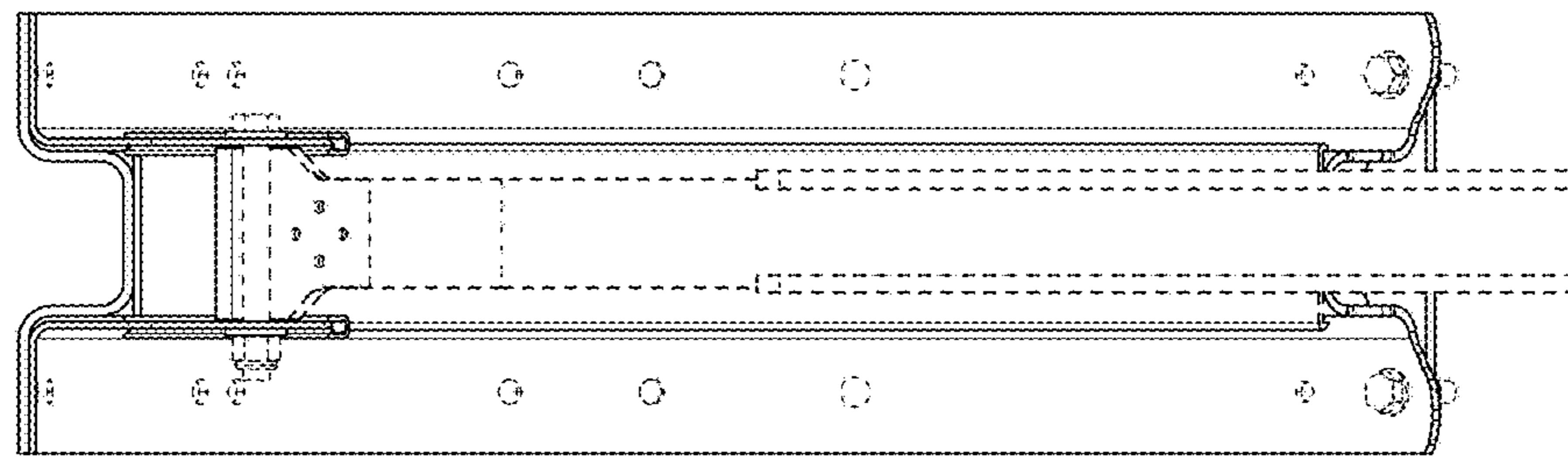


FIG. 5