



US00D840905S

(12) **United States Design Patent**
Parzyck et al.

(10) **Patent No.:** **US D840,905 S**

(45) **Date of Patent:** **** Feb. 19, 2019**

(54) **HEADACHE RACK**

D731,399 S * 6/2015 Bluhm D12/406
9,132,784 B2 9/2015 Harrison
9,637,178 B1 5/2017 Diller et al.

(Continued)

(71) Applicant: **Curt Manufacturing, LLC**, Eau Claire, WI (US)

Primary Examiner — Katrina A Betton

(72) Inventors: **Wolfe C. Parzyck**, Colfax, WI (US);
Robert G. Fehr, Colfax, WI (US); **Joel D. Diller**, Eau Claire, WI (US);
Brennan Druckrey, Eau Claire, WI (US)

(74) *Attorney, Agent, or Firm* — Shewchuk IP Services, LLC; Jeffrey D. Shewchuk

(57) **CLAIM**

The ornamental design for a headache rack, as shown and described.

(73) Assignee: **Curt Manufacturing, LLC**, Eau Claire, WI (US)

DESCRIPTION

(**) Term: **15 Years**

Utilitarian aspects of the headache rack are described and claimed in U.S. patent application Ser. No. 15/680,152, filed on even date herewith, incorporated herein by reference.

(21) Appl. No.: **29/614,334**

FIG. 1 is a perspective view of a headache rack showing my new design, looking from the rear (when oriented as installed behind the rear window of a pickup truck near the front of the pick-up truck bed).

(22) Filed: **Aug. 17, 2017**

FIG. 2 is a perspective view of a headache rack showing my new design, looking from the front (when oriented as installed behind the rear window of a pickup truck near the front of the pick-up truck bed).

(51) **LOC (11) Cl.** **12-16**

(52) **U.S. Cl.**
USPC **D12/222**

(58) **Field of Classification Search**
USPC D12/222, 223, 400, 401, 406, 412, 414,
D12/86, 93, 101; D6/552, 31
CPC . B60J 1/06; B60R 27/00; B60R 21/02; B60Q
1/0483; B62D 33/02
See application file for complete search history.

FIG. 3 is a top plan view showing the headache rack of FIGS. 1 and 2.

FIG. 4 is a rear (exposed toward the truck bed) view showing the headache rack of FIGS. 1-3.

FIG. 5 is a bottom plan view showing the headache rack FIGS. 1-4. The downwardly facing bottom surfaces are unadorned.

(56) **References Cited**

U.S. PATENT DOCUMENTS

4,953,908 A	9/1990	Dondlinger	
6,746,047 B2	6/2004	Hagen	
6,983,968 B2	1/2006	Brauer et al.	
D633,856 S *	3/2011	Kennedy	D12/412
D644,591 S *	9/2011	Andonian	D12/406
D647,025 S *	10/2011	Kennedy	D12/406
D669,840 S *	10/2012	Gros	D12/406
8,668,124 B2	3/2014	Kennedy et al.	
D717,230 S *	11/2014	Fichter	D12/414
D722,007 S *	2/2015	Ting	D12/414

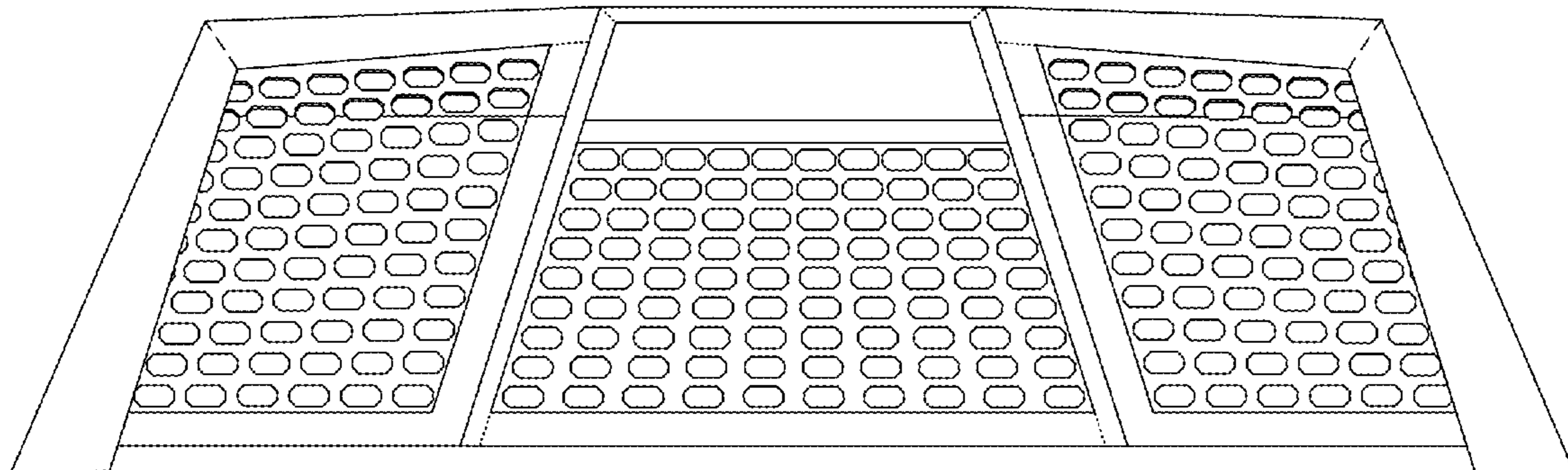
FIG. 6 is a front (partially concealed toward the truck cab) view showing the headache rack of FIGS. 1-5.

FIG. 7 is a right (passenger side) side view showing the headache rack FIGS. 1-6; and,

FIG. 8 is a left (driver side) side view showing the headache rack FIGS. 1-7.

In the drawings, the broken lines depict portions of the article that form no part of the claimed design.

1 Claim, 4 Drawing Sheets



(56)

References Cited

U.S. PATENT DOCUMENTS

9,713,978	B2	7/2017	Petru	
D809,990	S *	2/2018	Schlup, Jr. D12/222
2005/0093320	A1 *	5/2005	Brauer B62D 33/0207
				296/3
2016/0325691	A1 *	11/2016	Petru B60R 9/045
2018/0118148	A1 *	5/2018	Parzyck B60R 21/02

* cited by examiner

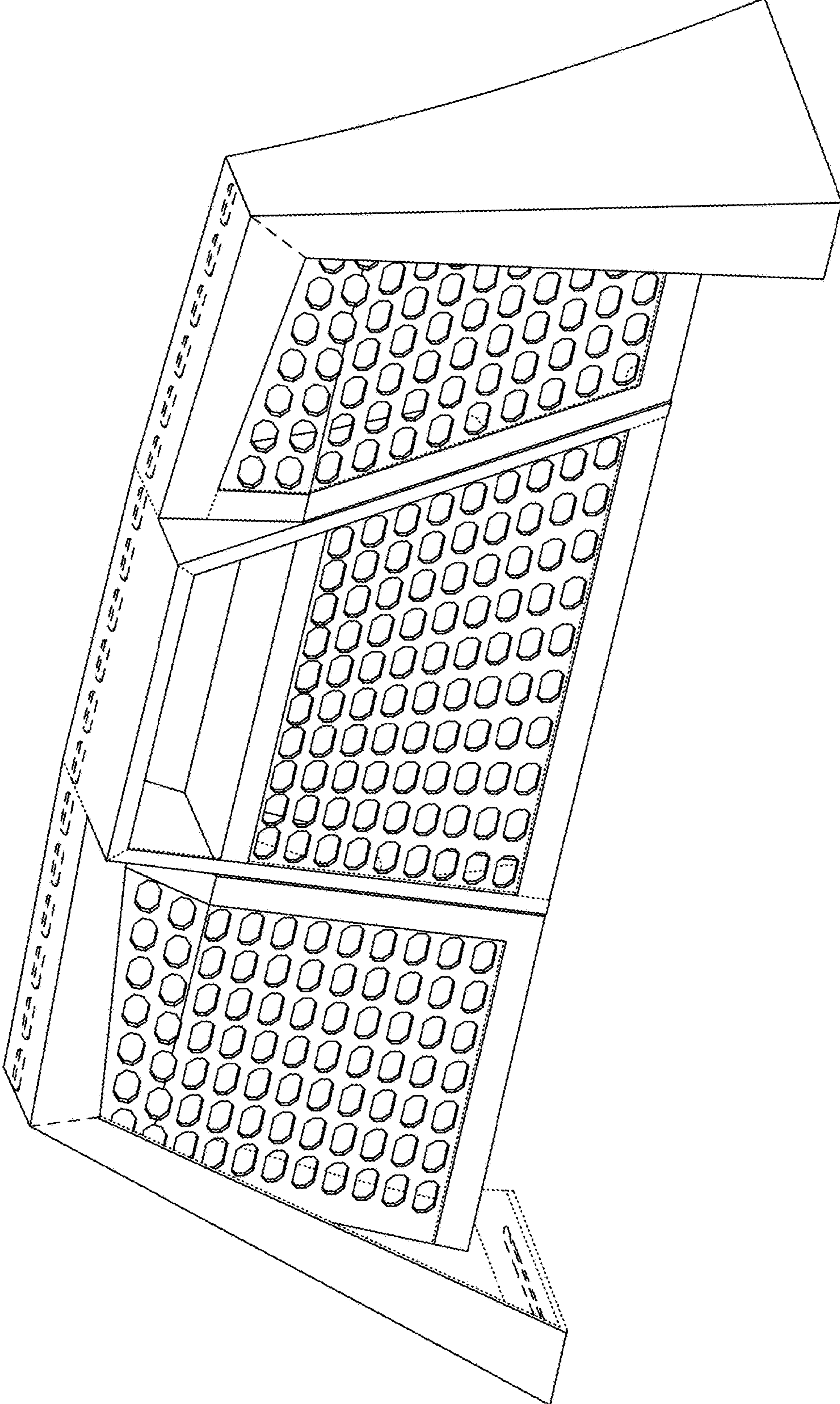


FIG. 1

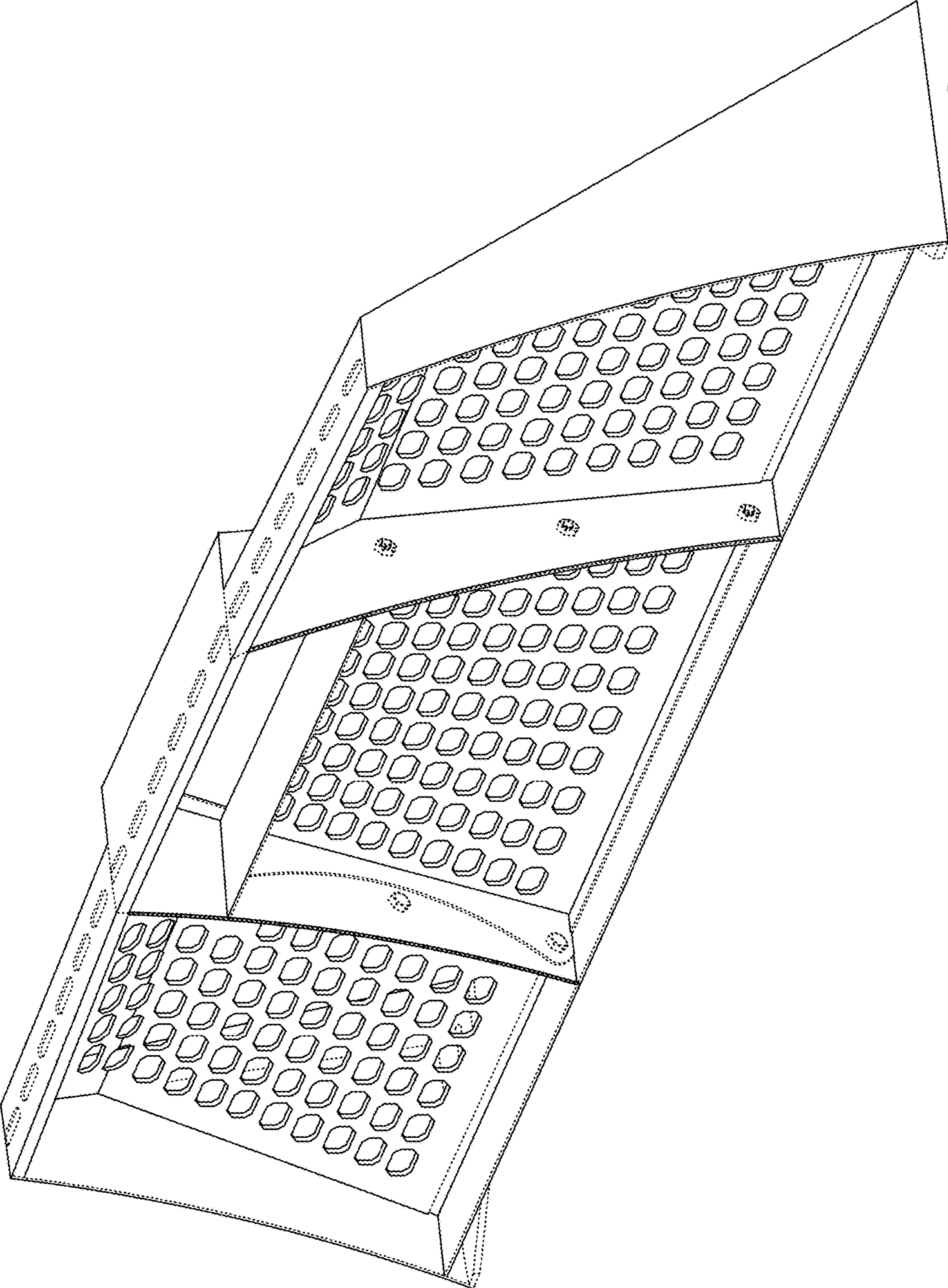


FIG. 2

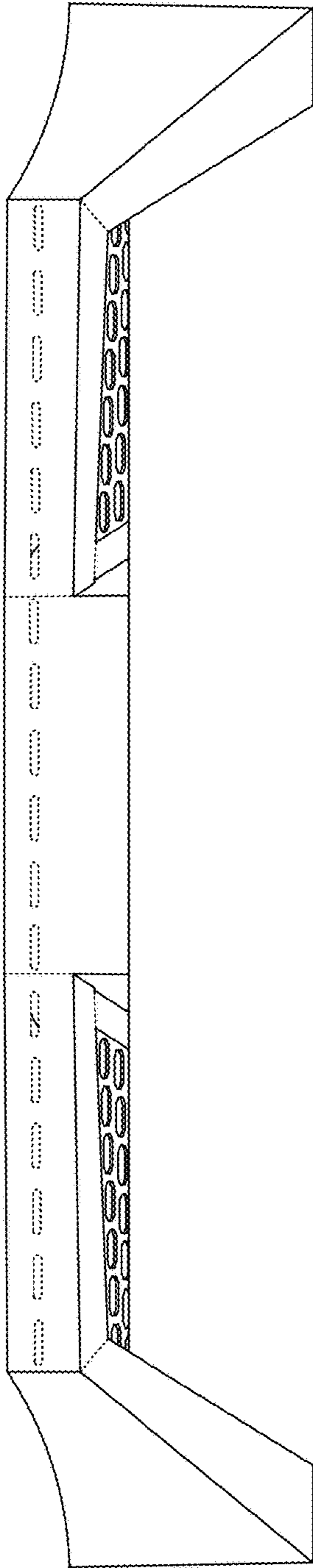


FIG. 3

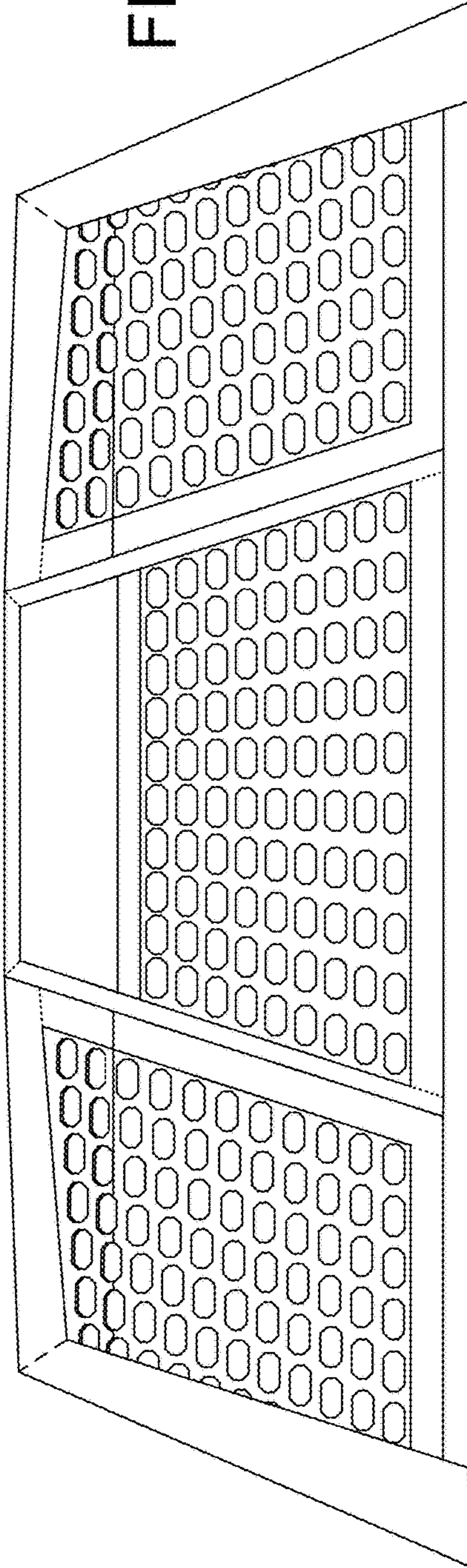


FIG. 4

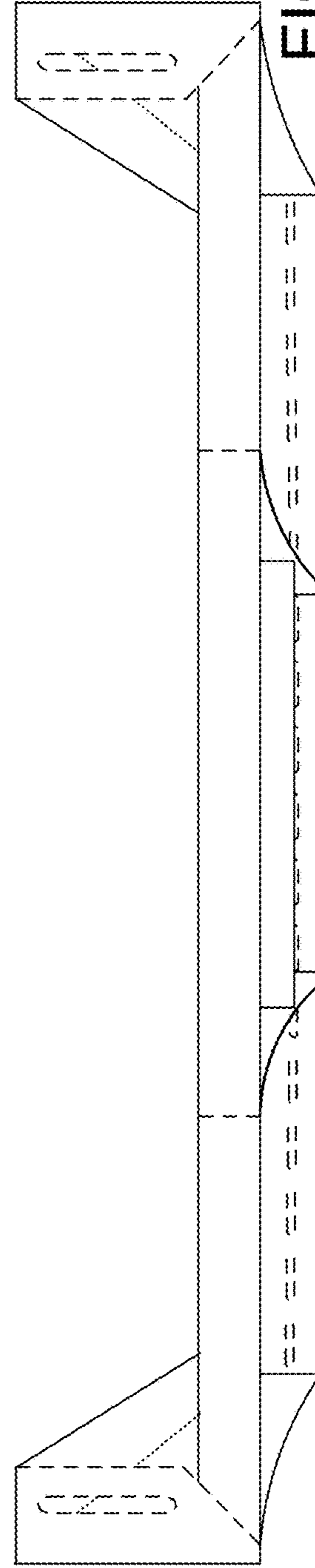


FIG. 5

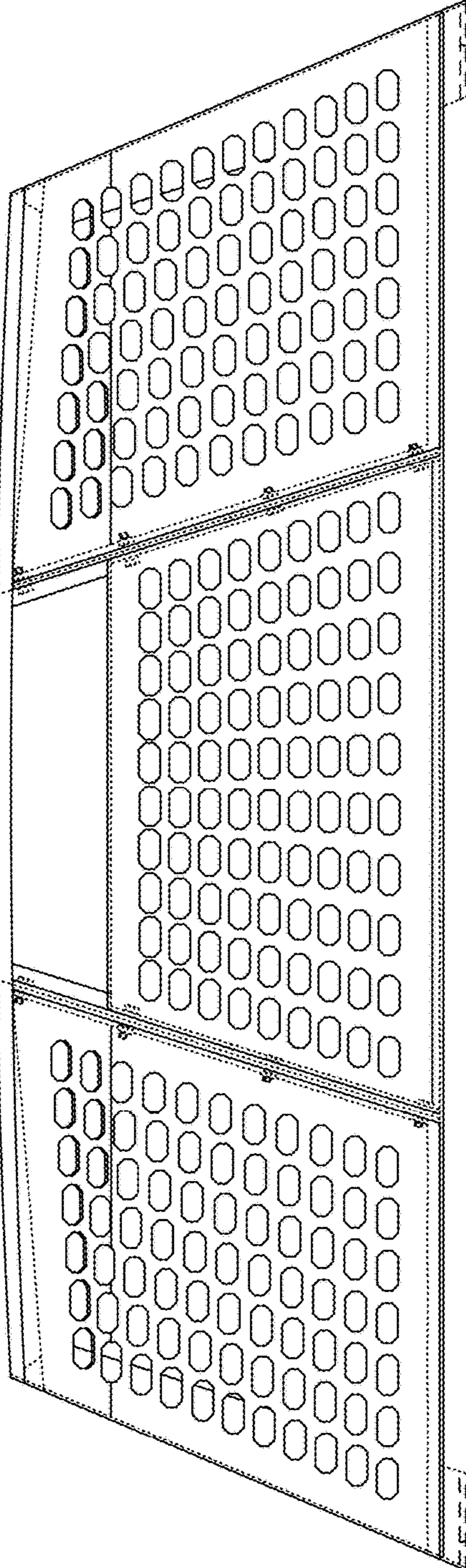


FIG. 6

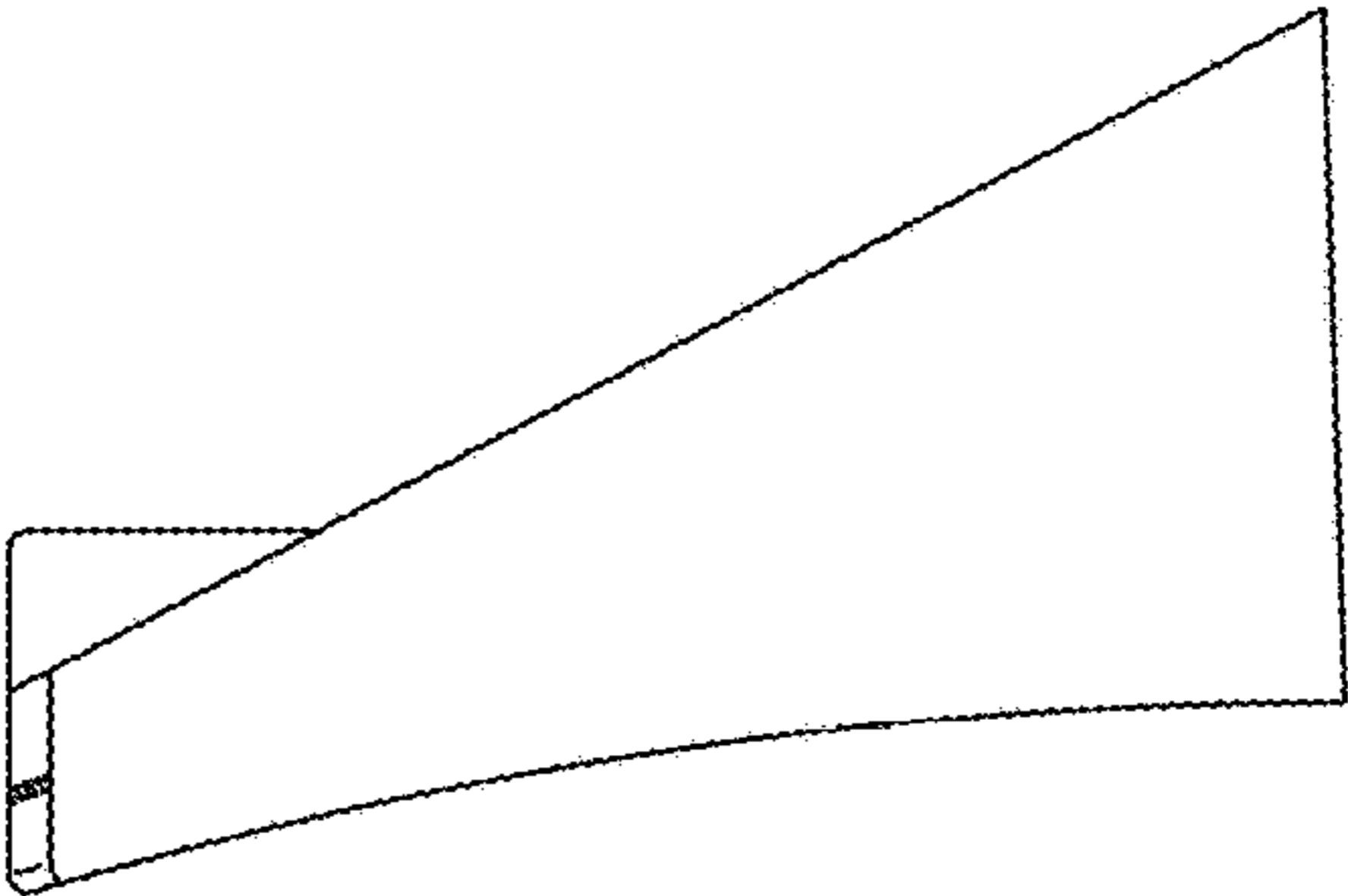


FIG. 8

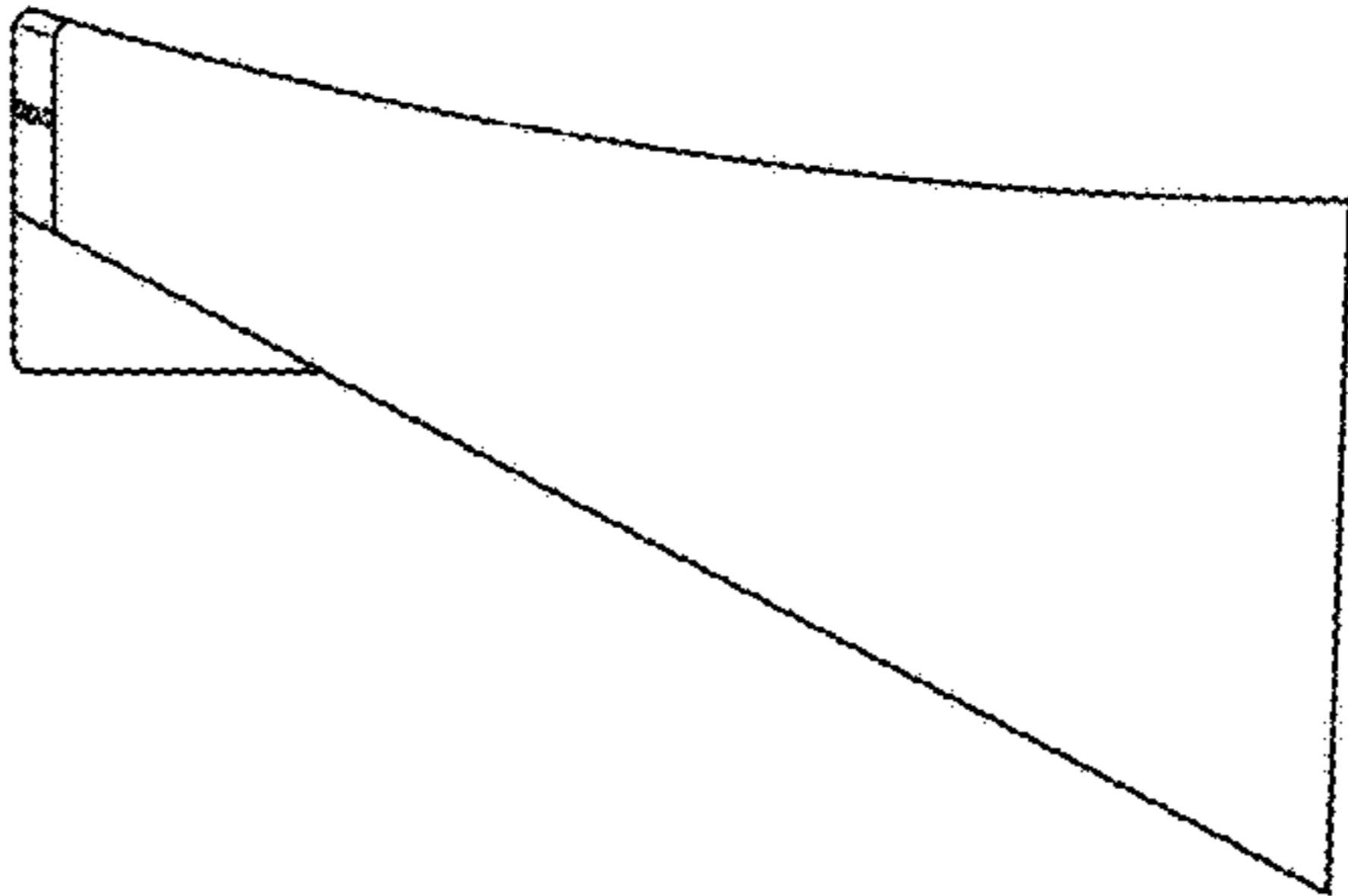


FIG. 7