



US00D840904S

(12) **United States Design Patent** (10) **Patent No.:** **US D840,904 S**
Moore (45) **Date of Patent:** **** Feb. 19, 2019**

(54) **SHALLOW WATER ANCHOR**
(71) Applicant: **Jerry L. Moore**, Fayetteville, AR (US)
(72) Inventor: **Jerry L. Moore**, Fayetteville, AR (US)
(**) Term: **15 Years**
(21) Appl. No.: **29/572,246**
(22) Filed: **Aug. 15, 2016**
(51) **LOC (11) Cl.** **12-06**
(52) **U.S. Cl.**
USPC **D12/215**
(58) **Field of Classification Search**
USPC D12/215, 300, 317; D8/13, 14; D32/46
CPC B63B 21/24; B63B 21/22; B63B 21/243;
B63B 21/32; B63B 21/34
See application file for complete search history.

D581,754 S * 12/2008 Vodrey D8/13
D616,351 S * 5/2010 Tylisz D12/317
D638,774 S * 5/2011 Tylisz D12/317
7,971,548 B2 7/2011 Kuenzel
D676,726 S * 2/2013 Davis D8/13
D688,191 S * 8/2013 Fowler D12/215
8,776,712 B2 7/2014 Bernloehr et al.
8,800,465 B1 8/2014 Quail
D717,139 S * 11/2014 Romero D8/13
9,145,188 B1 9/2015 Daneman
D766,158 S * 9/2016 Martin D12/317
D787,419 S * 5/2017 Michel D12/215
D794,535 S * 8/2017 Chen D12/215
D817,572 S * 5/2018 Hall D32/46
2009/0293793 A1 12/2009 Silver
2015/0298771 A1 10/2015 Kuenzel

* cited by examiner

Primary Examiner — Michelle E. Wilson
Assistant Examiner — Clese Moore, Jr.
(74) *Attorney, Agent, or Firm* — Kutak Rock LLP; Bryan P. Stanley

(56) **References Cited**

U.S. PATENT DOCUMENTS

D193,536 S * 9/1962 Duckett D12/215
4,377,123 A 3/1983 Jackson
D315,711 S * 3/1991 Billings D12/215
D375,717 S * 11/1996 Dick D12/215
D397,666 S * 9/1998 Al-Sabah D12/215
D398,279 S * 9/1998 Wagner D12/215
6,041,730 A 3/2000 Oliverio et al.
D463,352 S * 9/2002 Webber D12/221
D479,446 S * 9/2003 Miller D8/13
D485,525 S * 1/2004 Dvorak 114/299
7,270,072 B2 9/2007 Waldrop
7,302,904 B2 * 12/2007 Burns E04H 15/62
114/294
D580,843 S * 11/2008 Gilmour D12/215

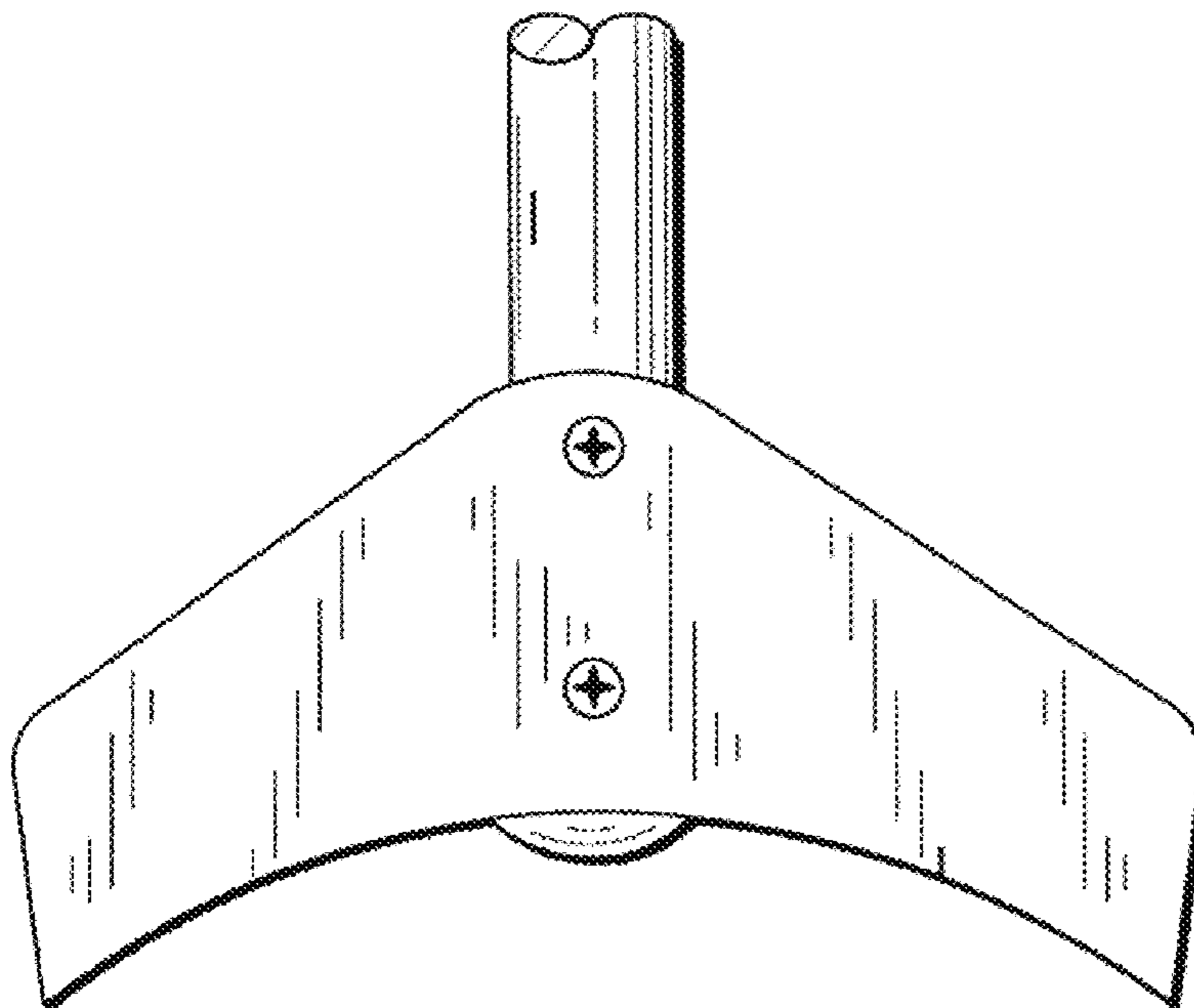
(57) **CLAIM**

The ornamental design for a shallow water anchor, as shown and described.

DESCRIPTION

FIG. 1 is a rear end elevation view of a shallow water anchor;
FIG. 2 is a front end elevation view thereof;
FIG. 3 is a bottom plan view thereof;
FIG. 4 is a top plan view thereof; and,
FIG. 5 is a right side elevation view thereof, the left side being a mirror image thereof.

1 Claim, 1 Drawing Sheet



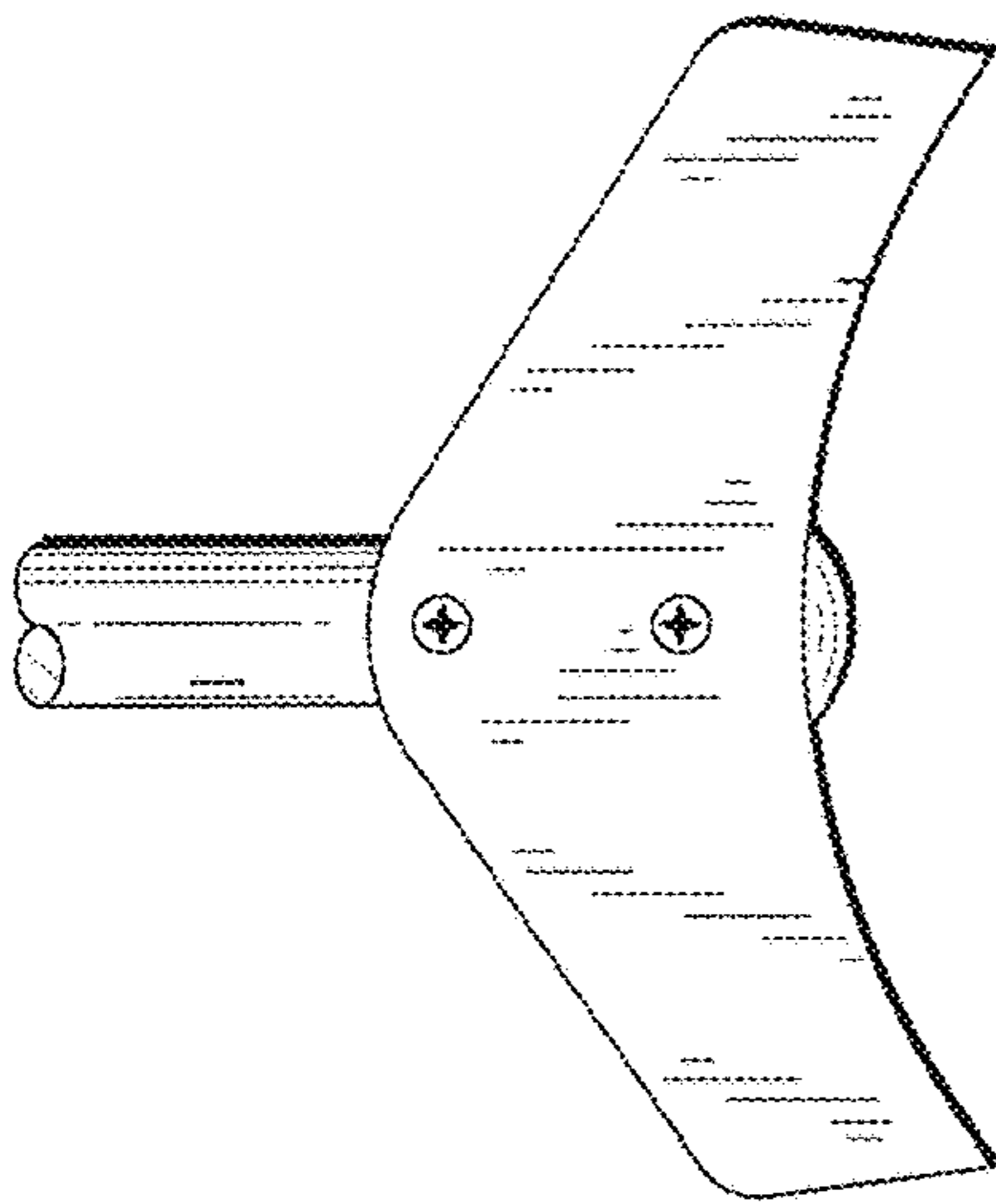


Fig. 1

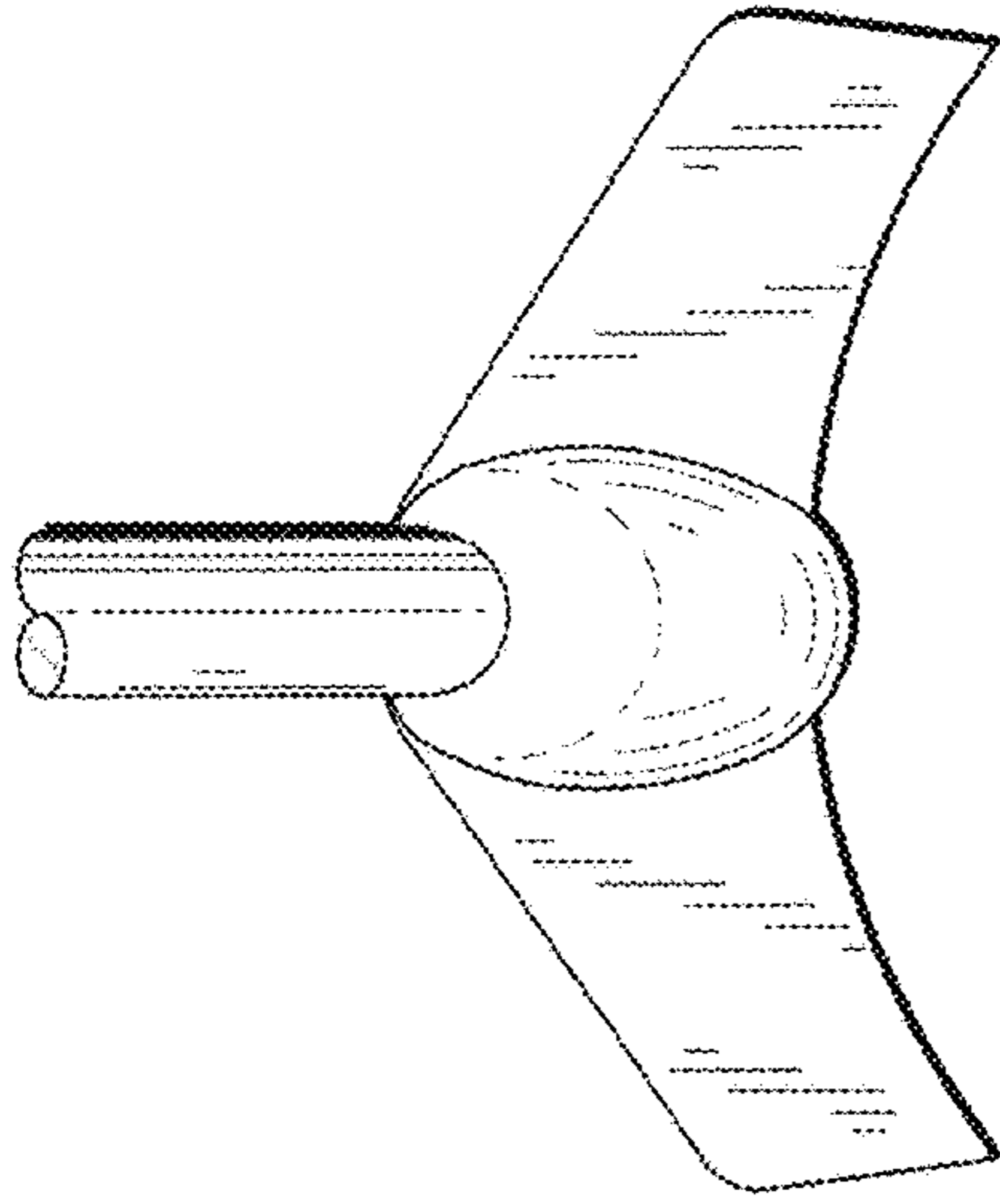


Fig. 2

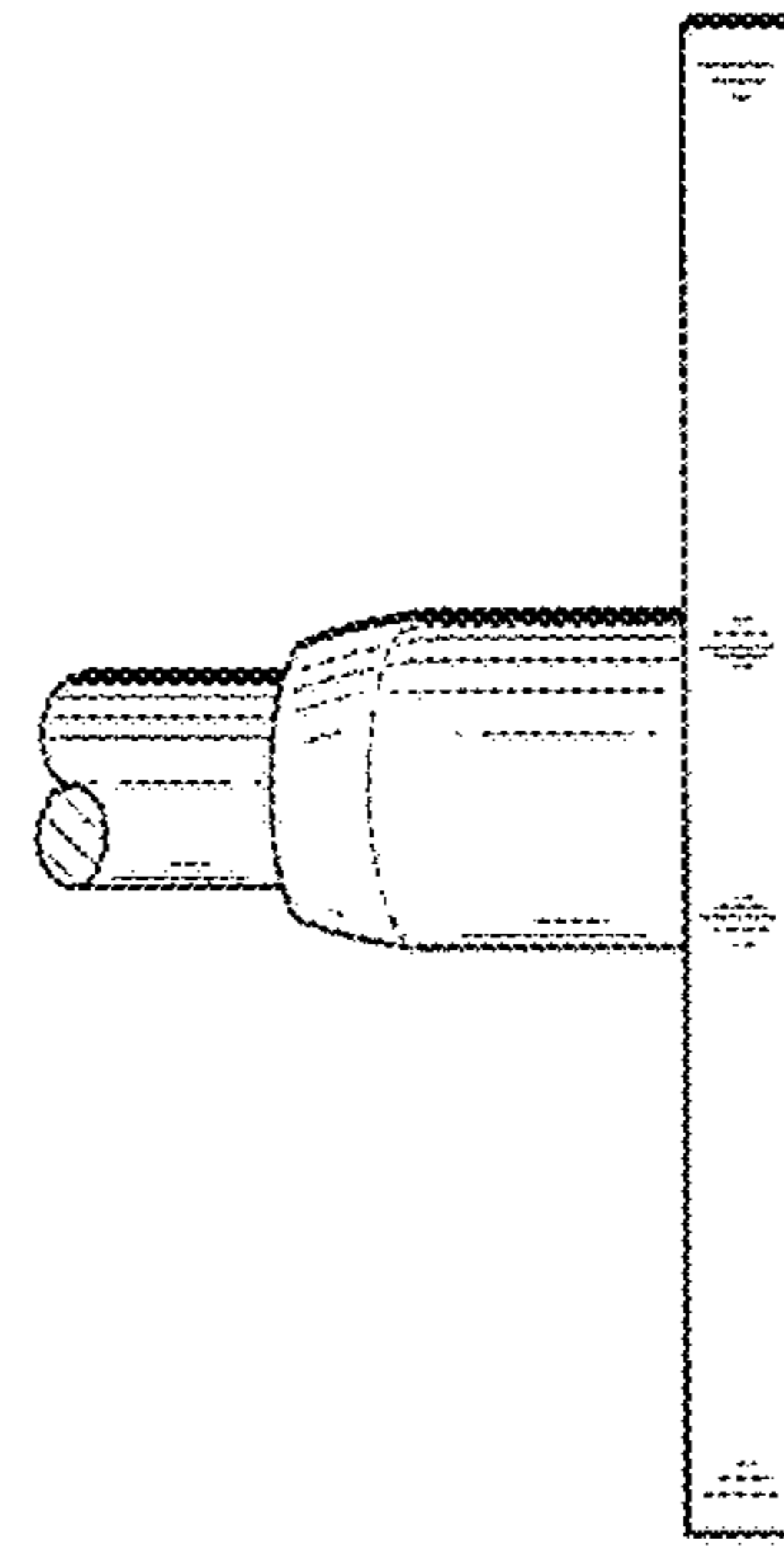


Fig. 3

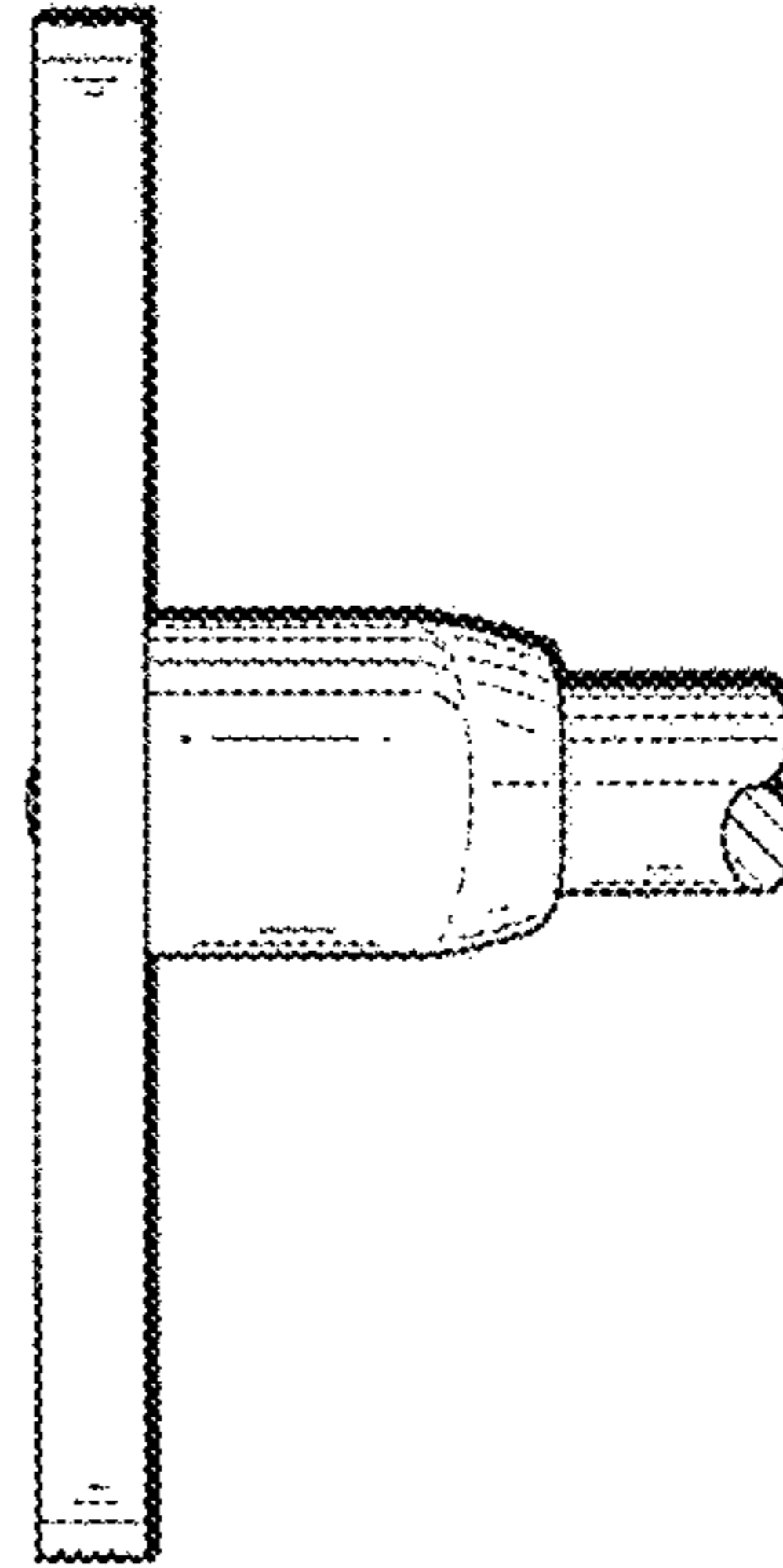


Fig. 4

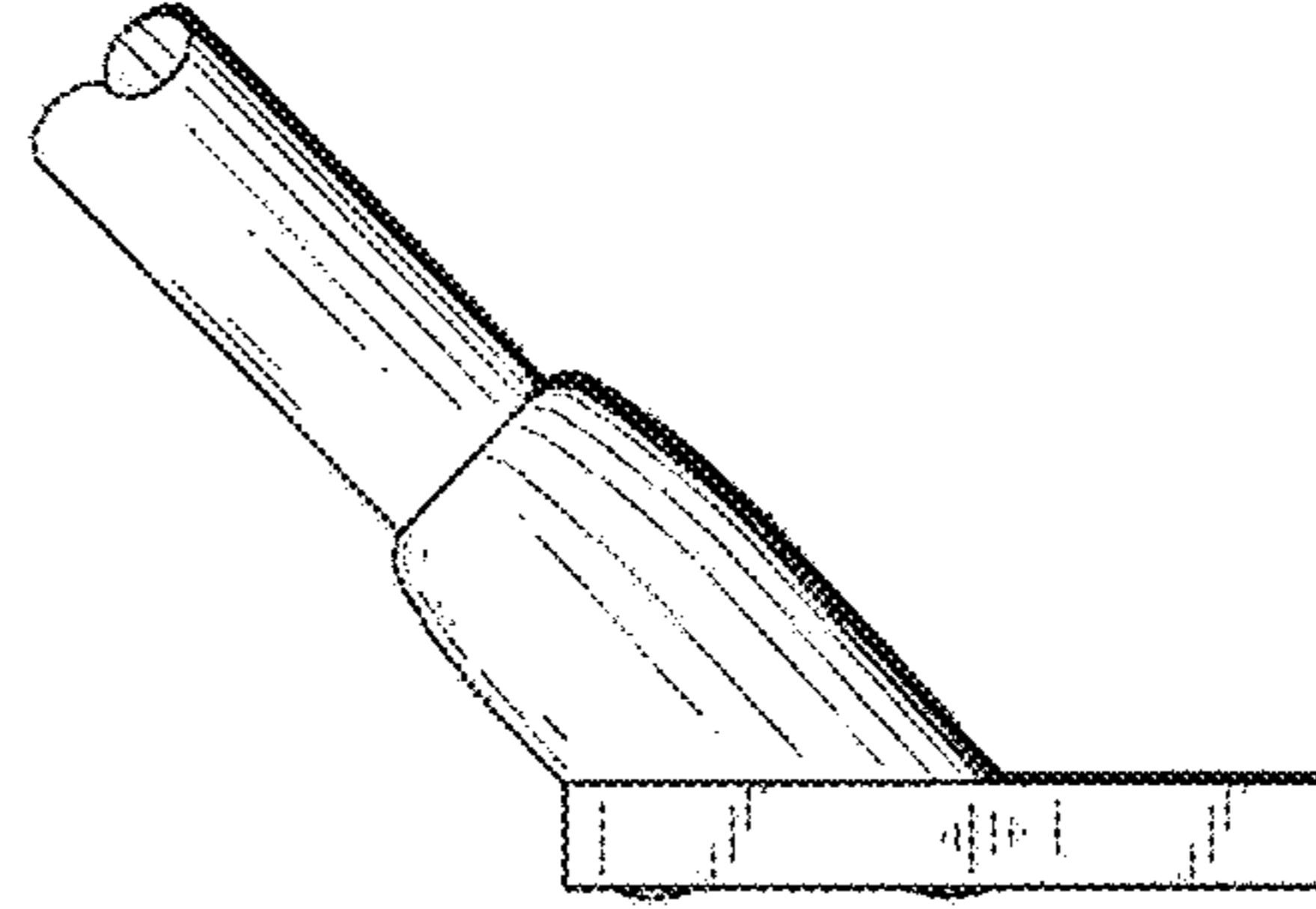


Fig. 5