



US00D840902S

(12) **United States Design Patent**
Lickliter

(10) **Patent No.:** **US D840,902 S**

(45) **Date of Patent:** **** Feb. 19, 2019**

(54) **WHEEL**

(71) Applicant: **Wheel Pros, LLC**, Greenwood Village,
CO (US)

(72) Inventor: **Hans Lickliter**, Canyon Country, CA
(US)

(**) Term: **15 Years**

(21) Appl. No.: **29/616,902**

(22) Filed: **Sep. 10, 2017**

(51) **LOC (11) Cl.** **12-16**

(52) **U.S. Cl.**
USPC **D12/211**

(58) **Field of Classification Search**
USPC D12/204–213
CPC B60B 7/00; B60B 7/02; B60B 7/04; B60B
7/01; B60B 7/06; B60B 3/02; B60B 3/04;
B60B 3/06; B60B 3/10; B60B 1/00;
B60B 1/08; B60B 1/10; B60B 1/12
See application file for complete search history.

(56) **References Cited**

U.S. PATENT DOCUMENTS

D477,556 S * 7/2003 Koch D12/211
D508,007 S * 8/2005 Koch D12/211
D701,811 S * 4/2014 Hale, Jr. 12/211
D701,812 S * 4/2014 Hale, Jr. D12/211

D719,891 S * 12/2014 Johnson D12/209
D733,023 S * 6/2015 Ferrett D12/209
D760,138 S * 6/2016 Henderson D12/209
D763,774 S * 8/2016 Henderson D12/213
D766,152 S * 9/2016 Lickliter D12/209
D791,041 S * 7/2017 Johnson D12/209
D791,672 S * 7/2017 Palana 12/211
D798,786 S * 10/2017 Chung D12/209
D800,633 S * 10/2017 Kong D12/211
D806,633 S * 1/2018 Setter D12/211
D828,266 S * 9/2018 Garcia D12/209
D830,276 S * 10/2018 Aslam D12/213

* cited by examiner

Primary Examiner — Stacia A Cadmus

(74) *Attorney, Agent, or Firm* — Eric Hanscom

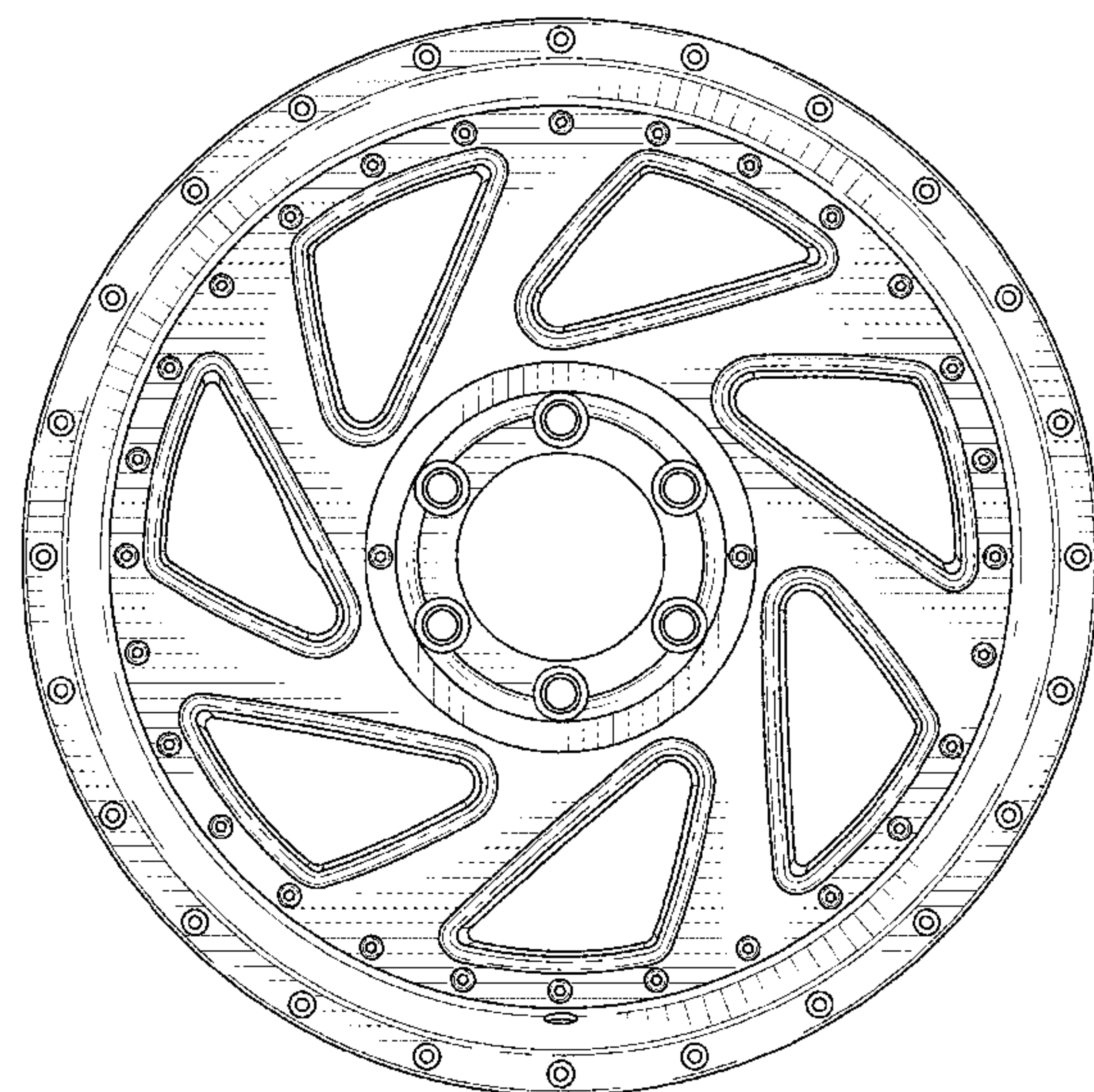
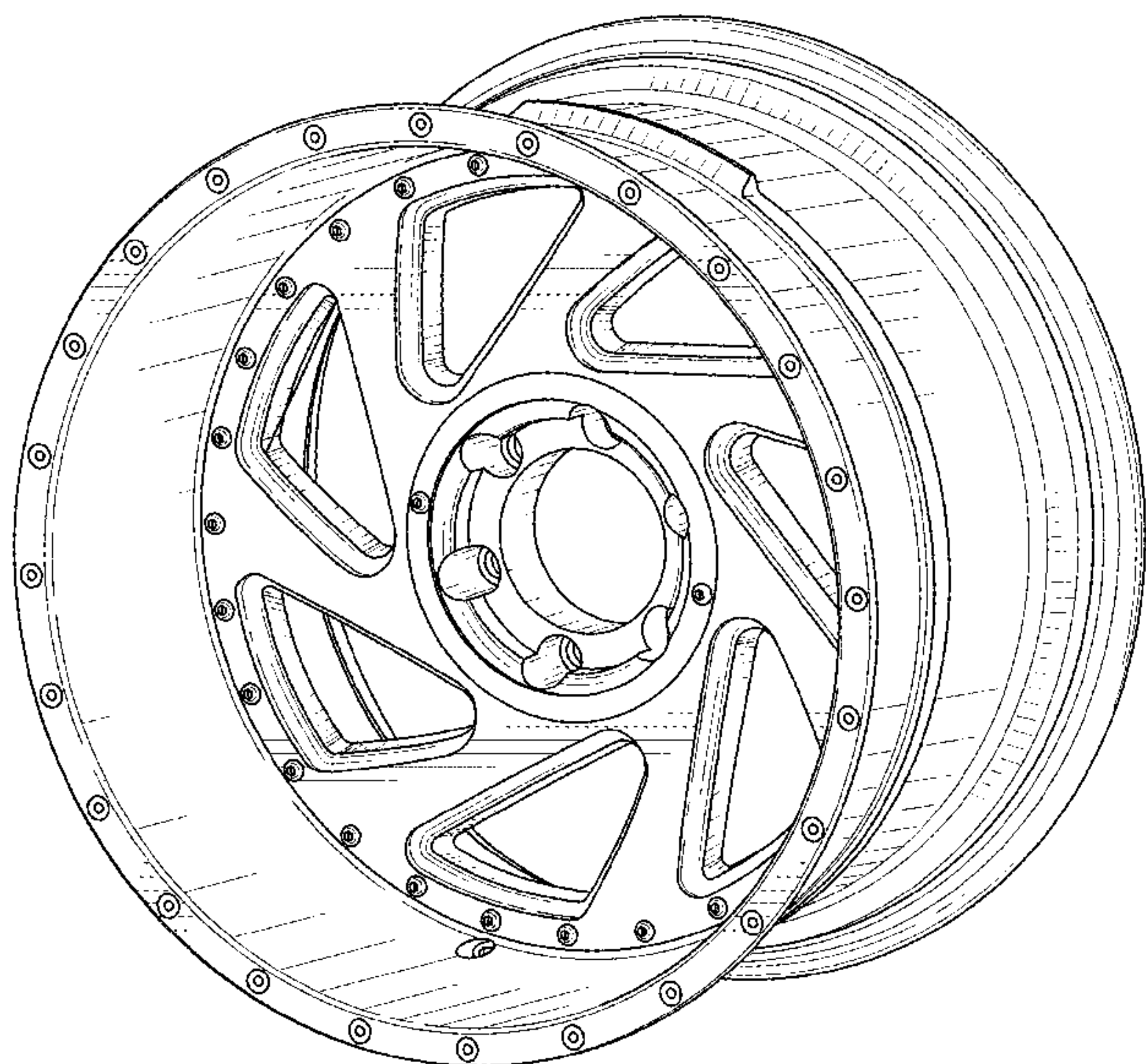
(57) **CLAIM**

The ornamental design for a wheel, as shown and described.

DESCRIPTION

FIG. 1 is a front, perspective view of a wheel showing my new design;
FIG. 2 is a front view thereof;
FIG. 3 is a back view thereof;
FIG. 4 is a right-side view thereof;
FIG. 5 is a left-side view thereof;
FIG. 6 is a top view thereof;
FIG. 7 is a bottom view thereof; and,
FIG. 8 is a back, perspective view thereof.

1 Claim, 7 Drawing Sheets



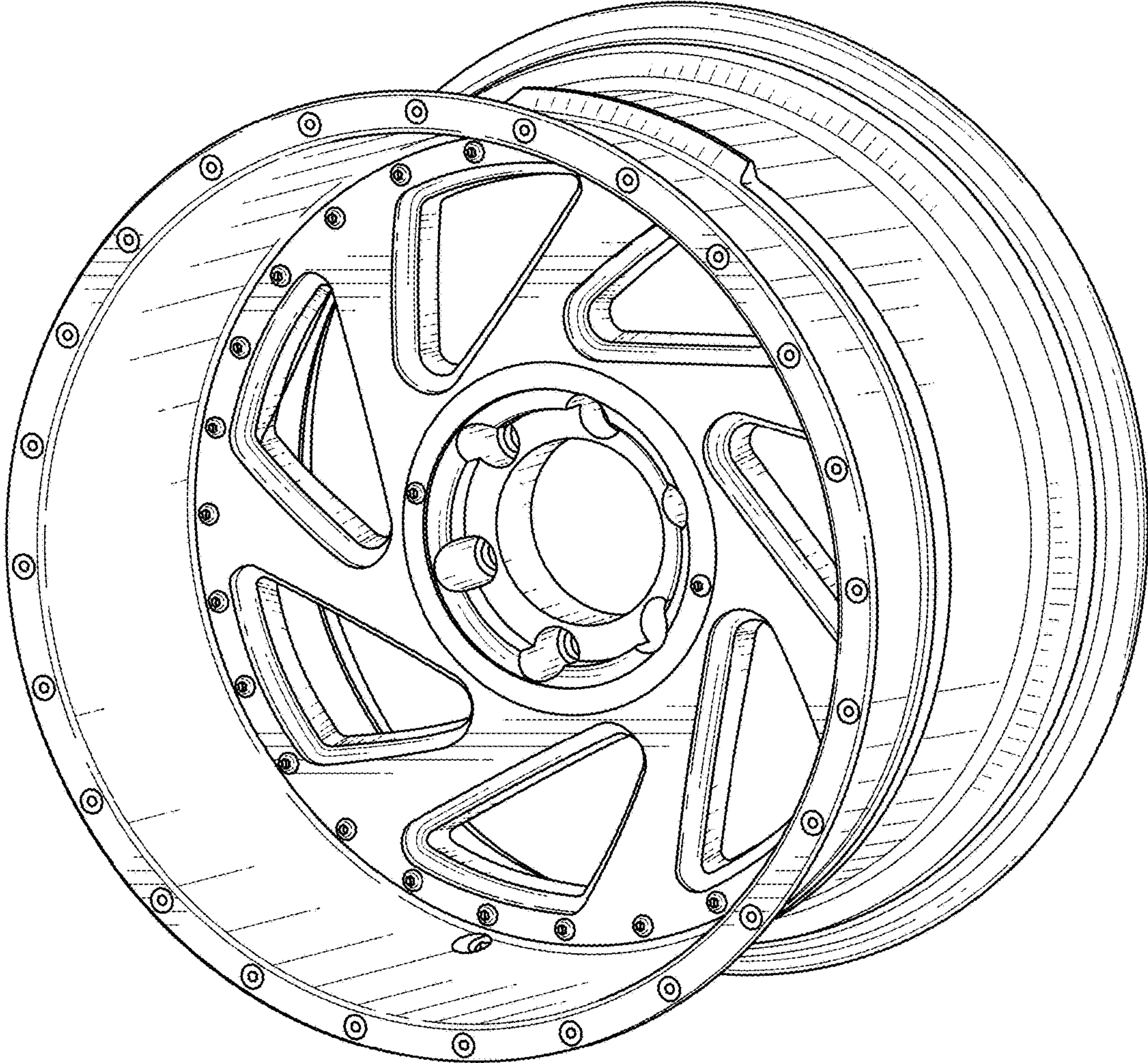


FIG. 1

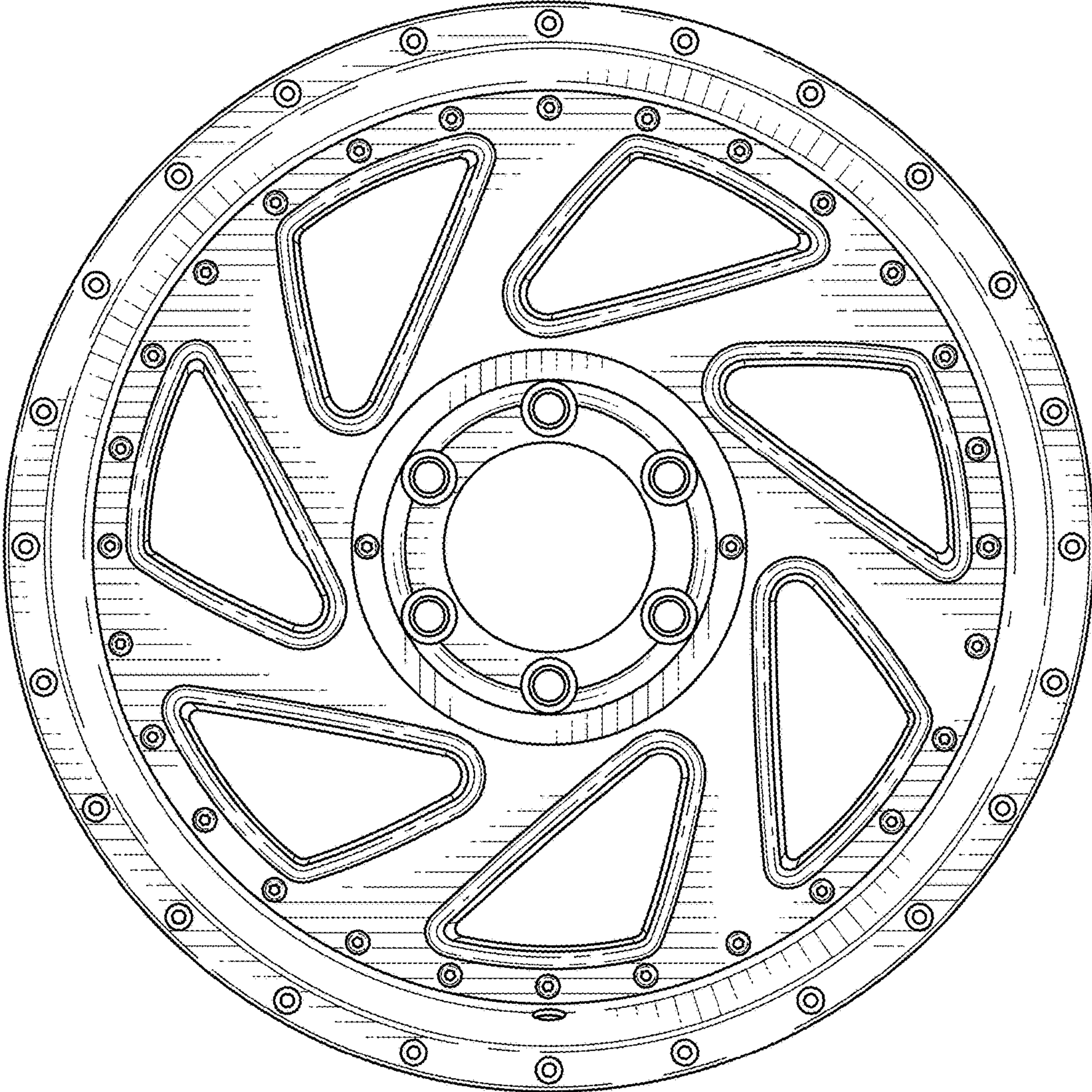


FIG. 2

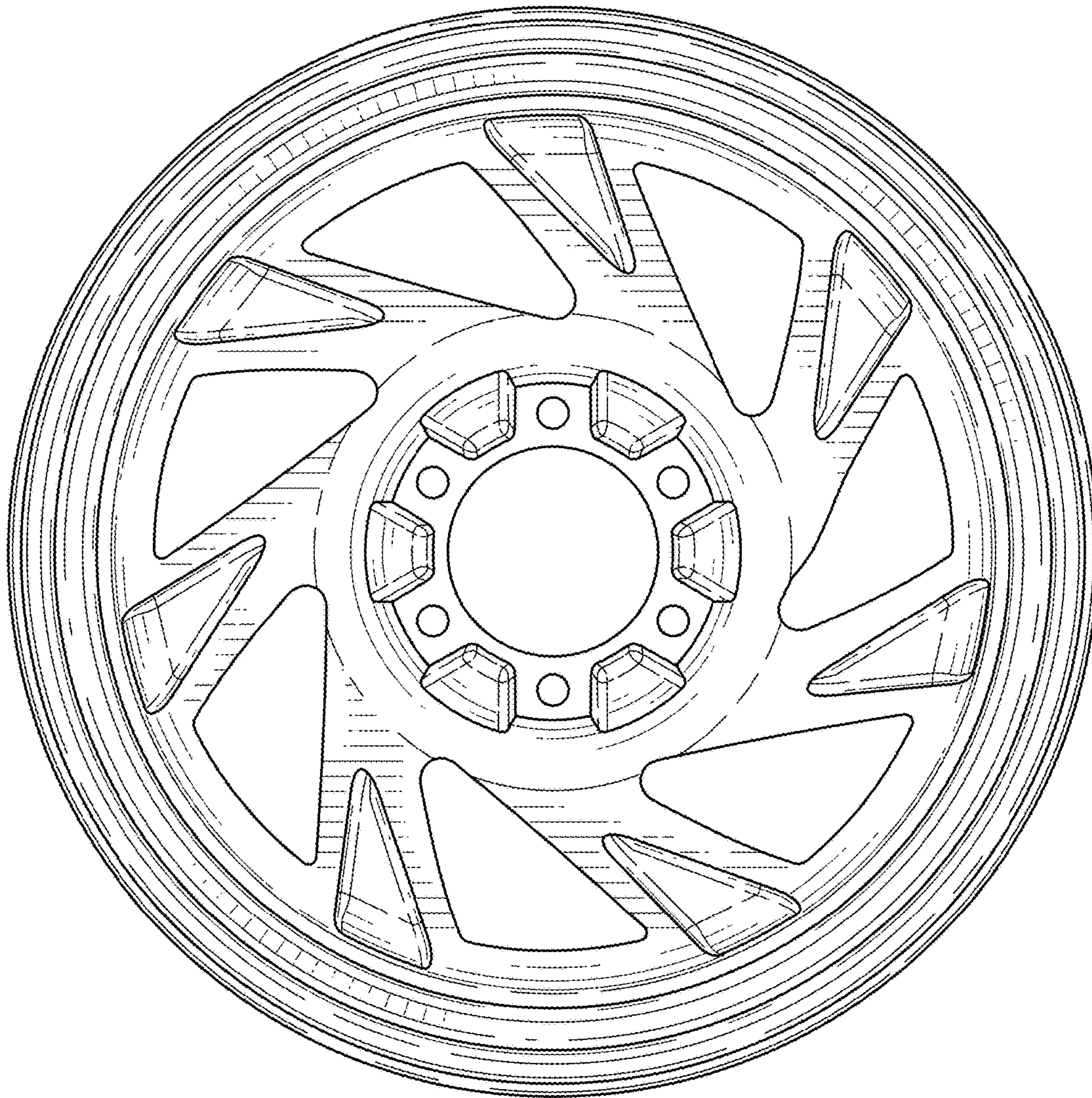


FIG. 3

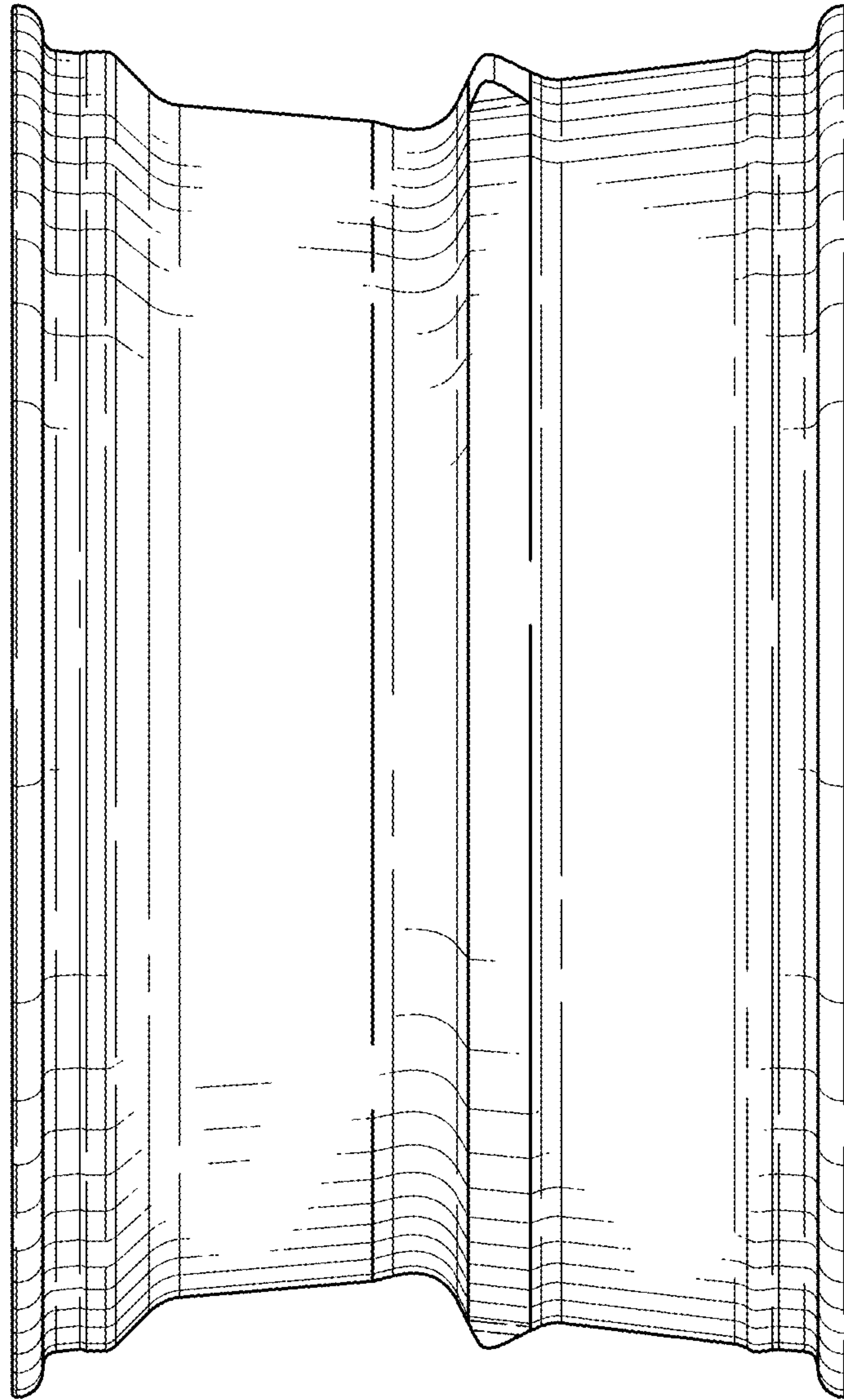


FIG. 4

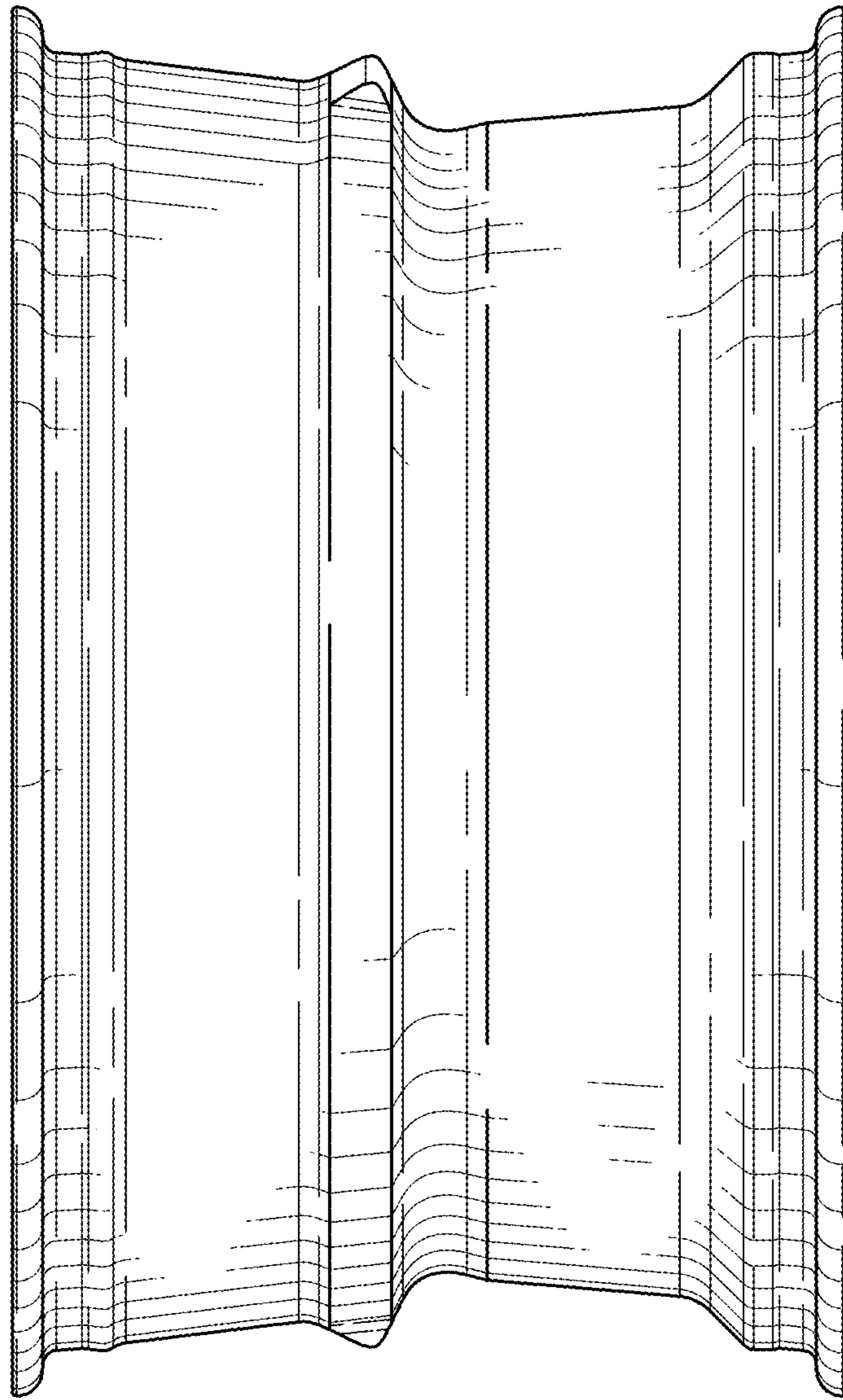


FIG. 5

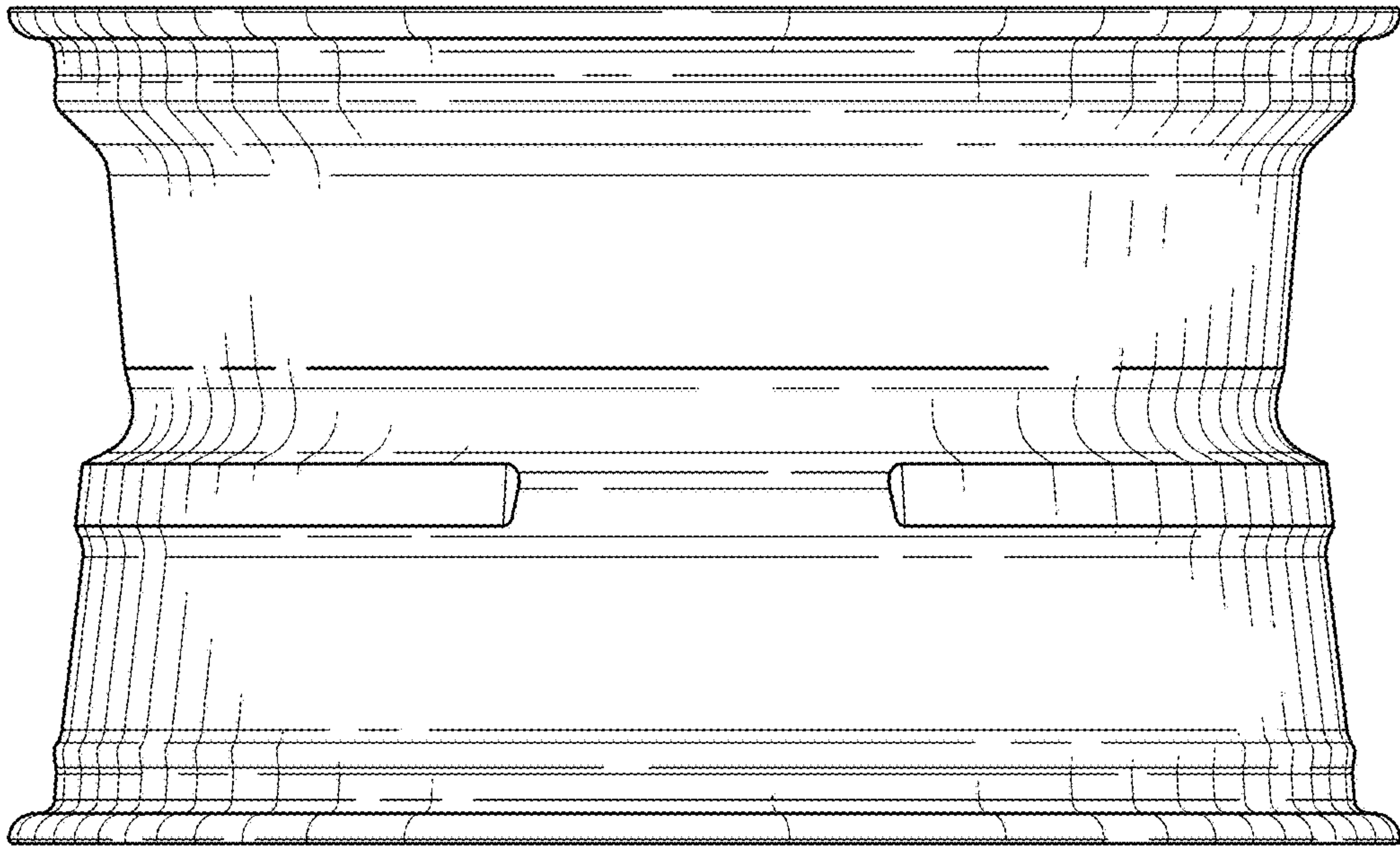


FIG. 6

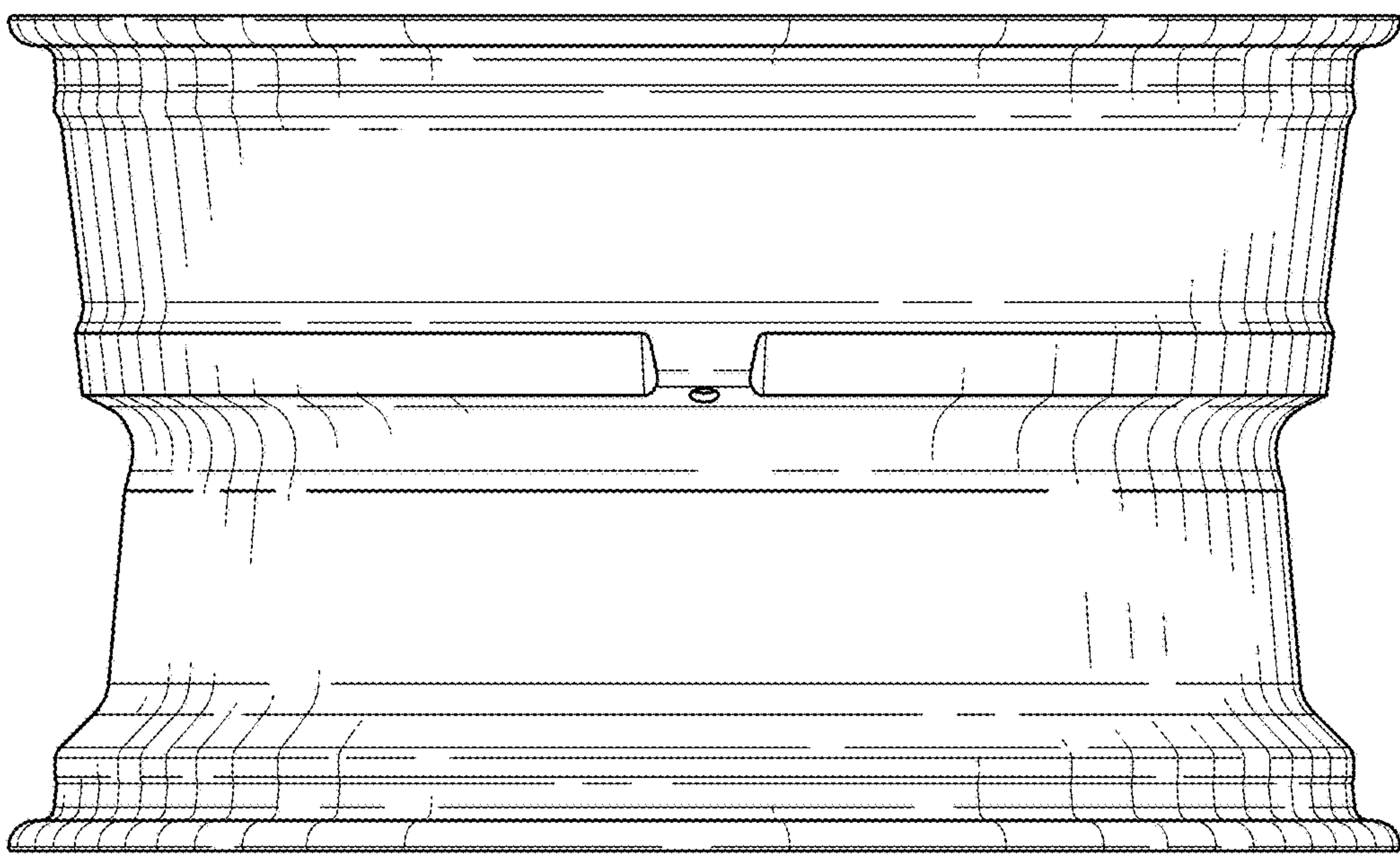


FIG. 7

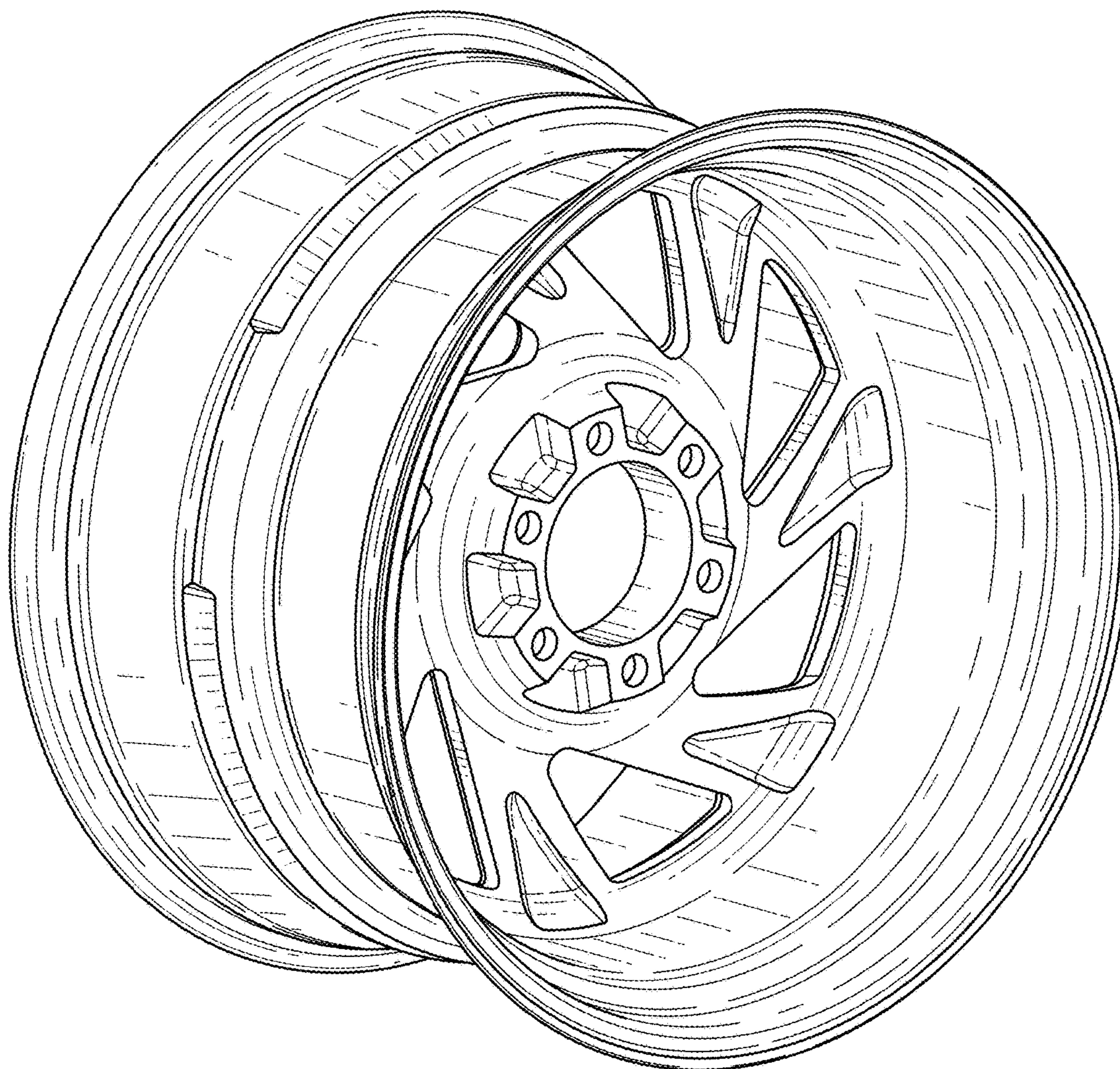


FIG. 8