



US00D840901S

(12) **United States Design Patent**  
**Lickliter**

(10) **Patent No.:** **US D840,901 S**

(45) **Date of Patent:** **\*\* Feb. 19, 2019**

(54) **WHEEL**

(71) Applicant: **Wheel Pros, LLC**, Greenwood Village,  
CO (US)

(72) Inventor: **Hans Lickliter**, Canyon Country, CA  
(US)

(\*\*) Term: **15 Years**

(21) Appl. No.: **29/616,901**

(22) Filed: **Sep. 10, 2017**

(51) **LOC (11) Cl.** ..... **12-16**

(52) **U.S. Cl.**  
USPC ..... **D12/211**

(58) **Field of Classification Search**  
USPC ..... D12/204–213  
CPC .... B60B 7/00; B60B 7/02; B60B 7/04; B60B  
7/01; B60B 7/06; B60B 3/02; B60B 3/04;  
B60B 3/06; B60B 3/10; B60B 1/00;  
B60B 1/08; B60B 1/10; B60B 1/12  
See application file for complete search history.

(56) **References Cited**

**U.S. PATENT DOCUMENTS**

D477,556 S \* 7/2003 Koch ..... D12/211  
D508,007 S \* 8/2005 Koch ..... D12/211

D701,811 S \* 4/2014 Hale, Jr. .... D12/211  
D701,812 S \* 4/2014 Hale, Jr. .... D12/211  
D719,891 S \* 12/2014 Johnson ..... D12/209  
D733,023 S \* 6/2015 Ferrett ..... D12/209  
D760,138 S \* 6/2016 Henderson ..... D12/209  
D763,774 S \* 8/2016 Henderson ..... D12/213  
D766,152 S \* 9/2016 Lickliter ..... D12/209  
D791,041 S \* 7/2017 Johnson ..... D12/209  
D791,672 S \* 7/2017 Palana ..... D12/211  
D798,786 S \* 10/2017 Chung ..... D12/211  
D800,633 S \* 10/2017 Kong ..... D12/211  
D806,633 S \* 1/2018 Setter ..... D12/211  
D828,266 S \* 9/2018 Garcia ..... D12/209  
D830,276 S \* 10/2018 Aslam ..... D12/213

\* cited by examiner

*Primary Examiner* — Stacia A Cadmus

(74) *Attorney, Agent, or Firm* — Eric Hanscom

(57) **CLAIM**

The ornamental design for a wheel, as shown and described.

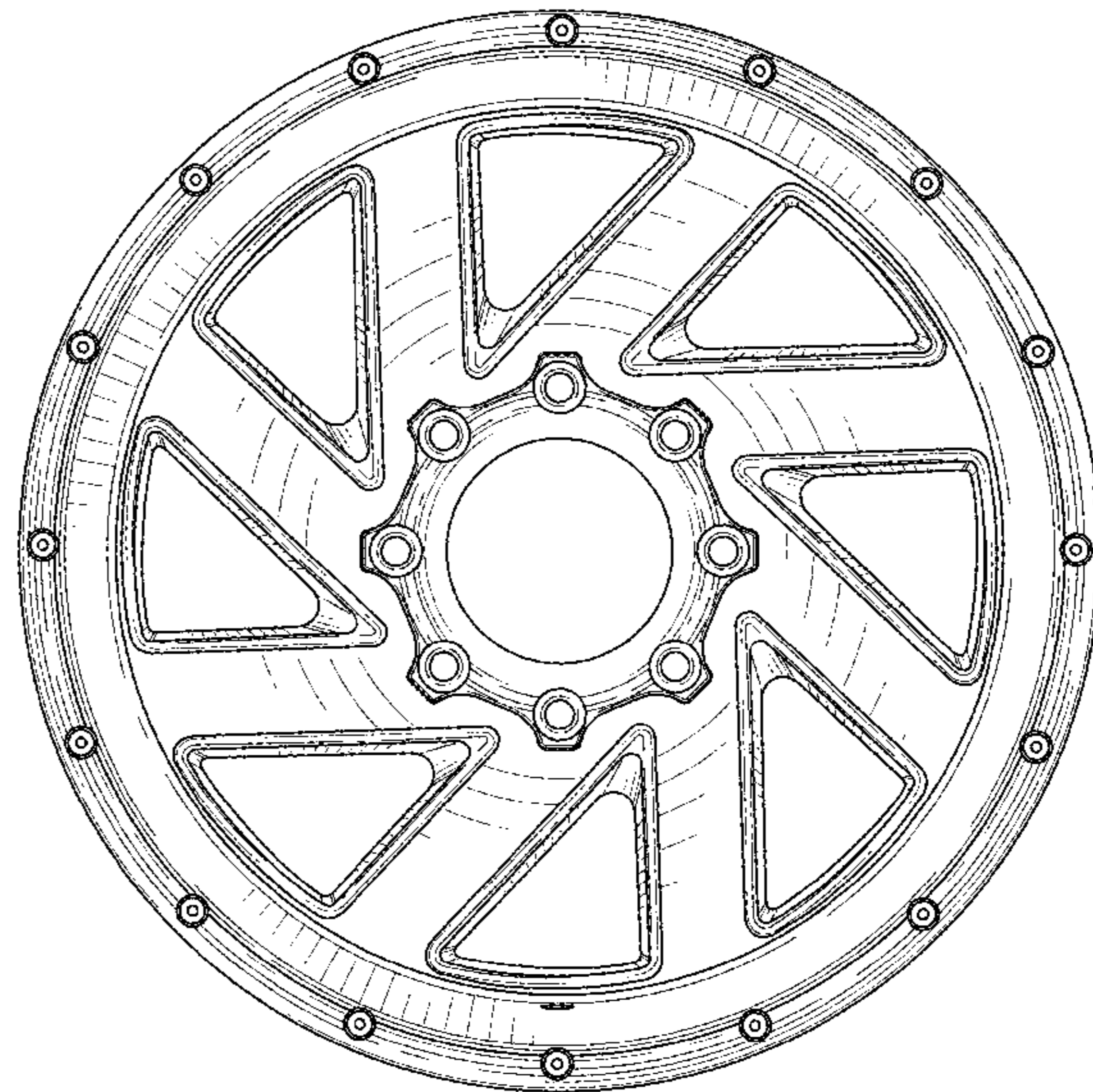
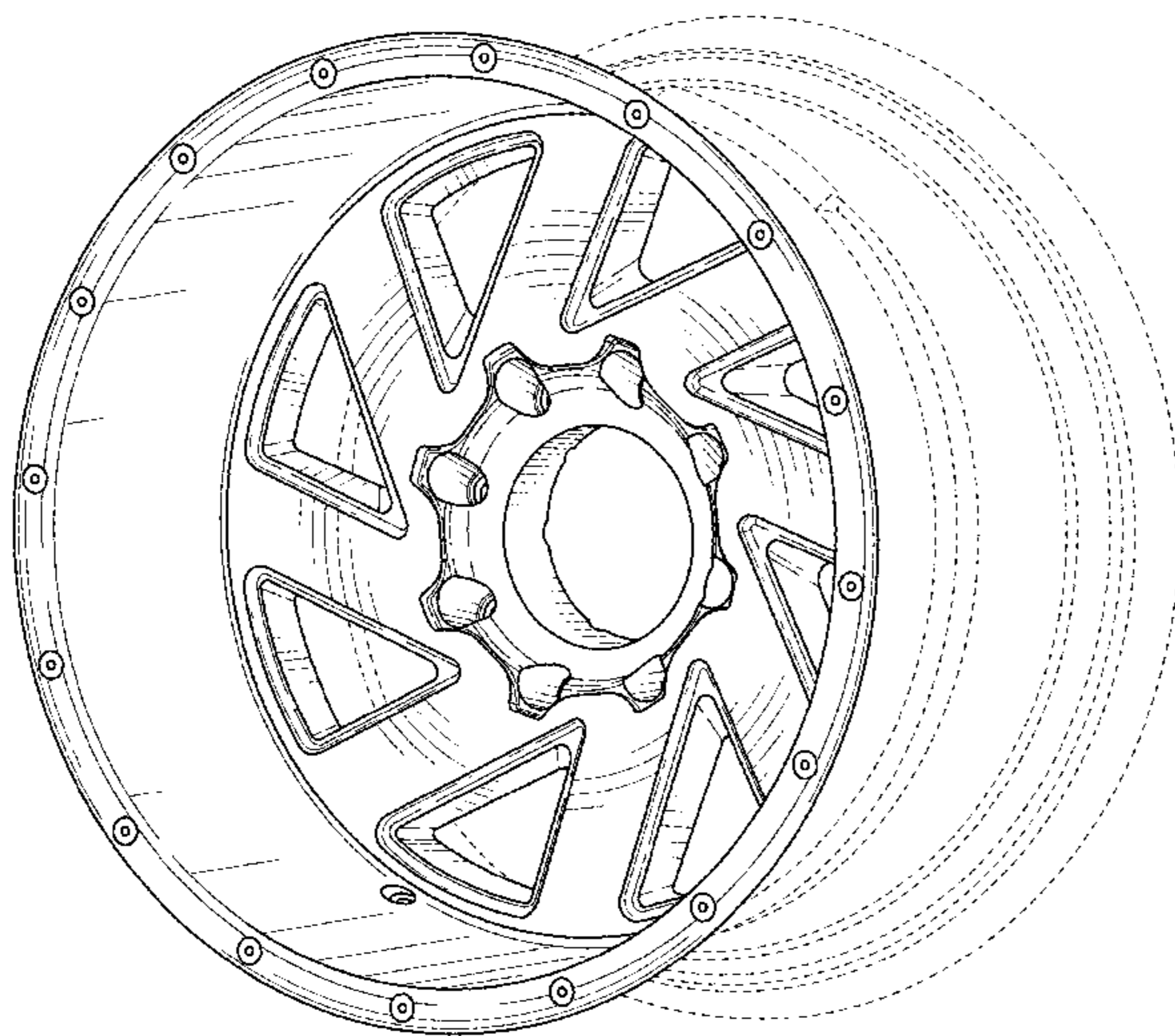
**DESCRIPTION**

FIG. 1 is a perspective view of a wheel showing my new design; and,

FIG. 2 is a front view thereof.

In the drawings, broken lines shown in the drawings depict environmental subject matter only and form no part of the claimed design.

**1 Claim, 2 Drawing Sheets**



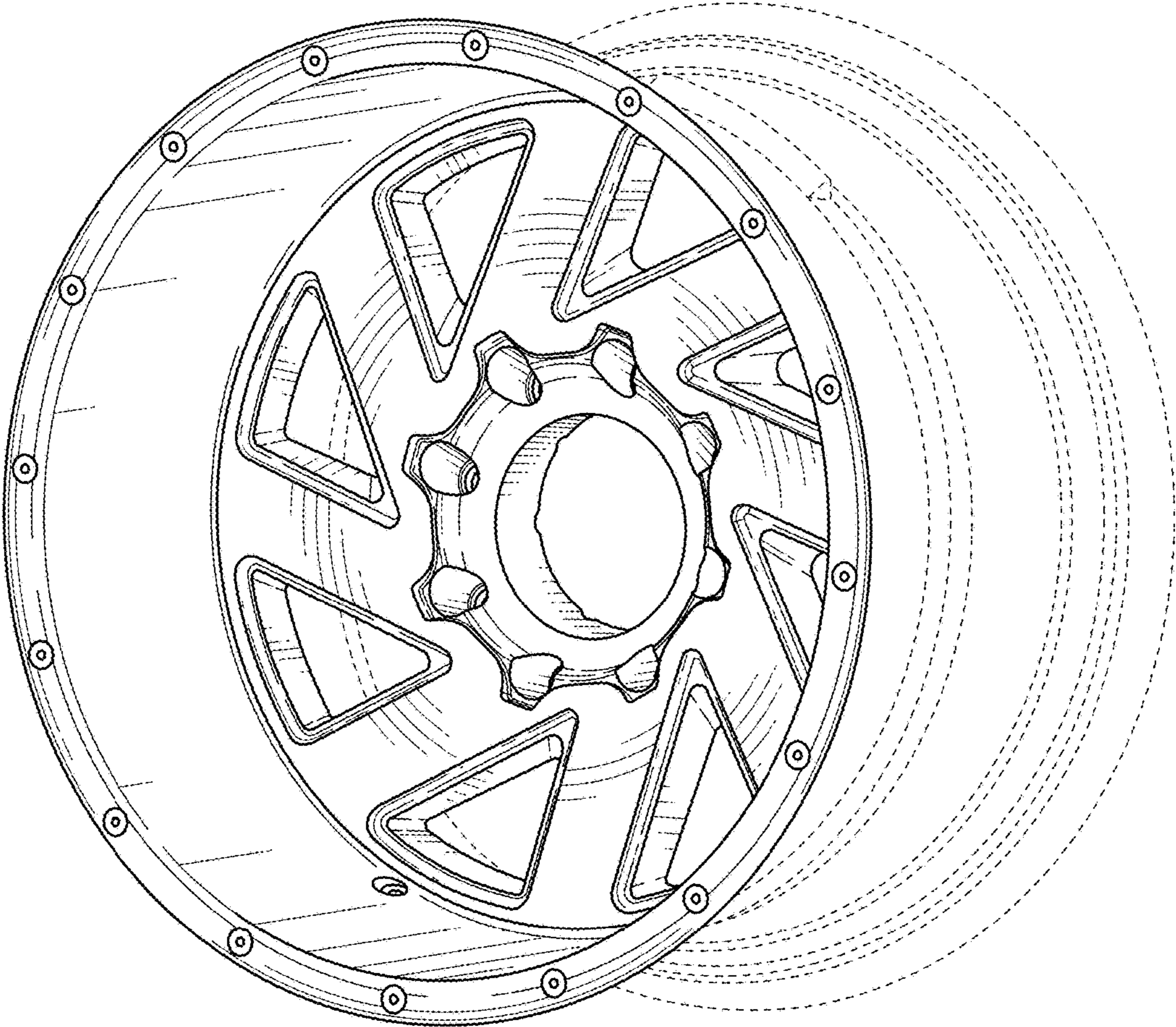


FIG. 1

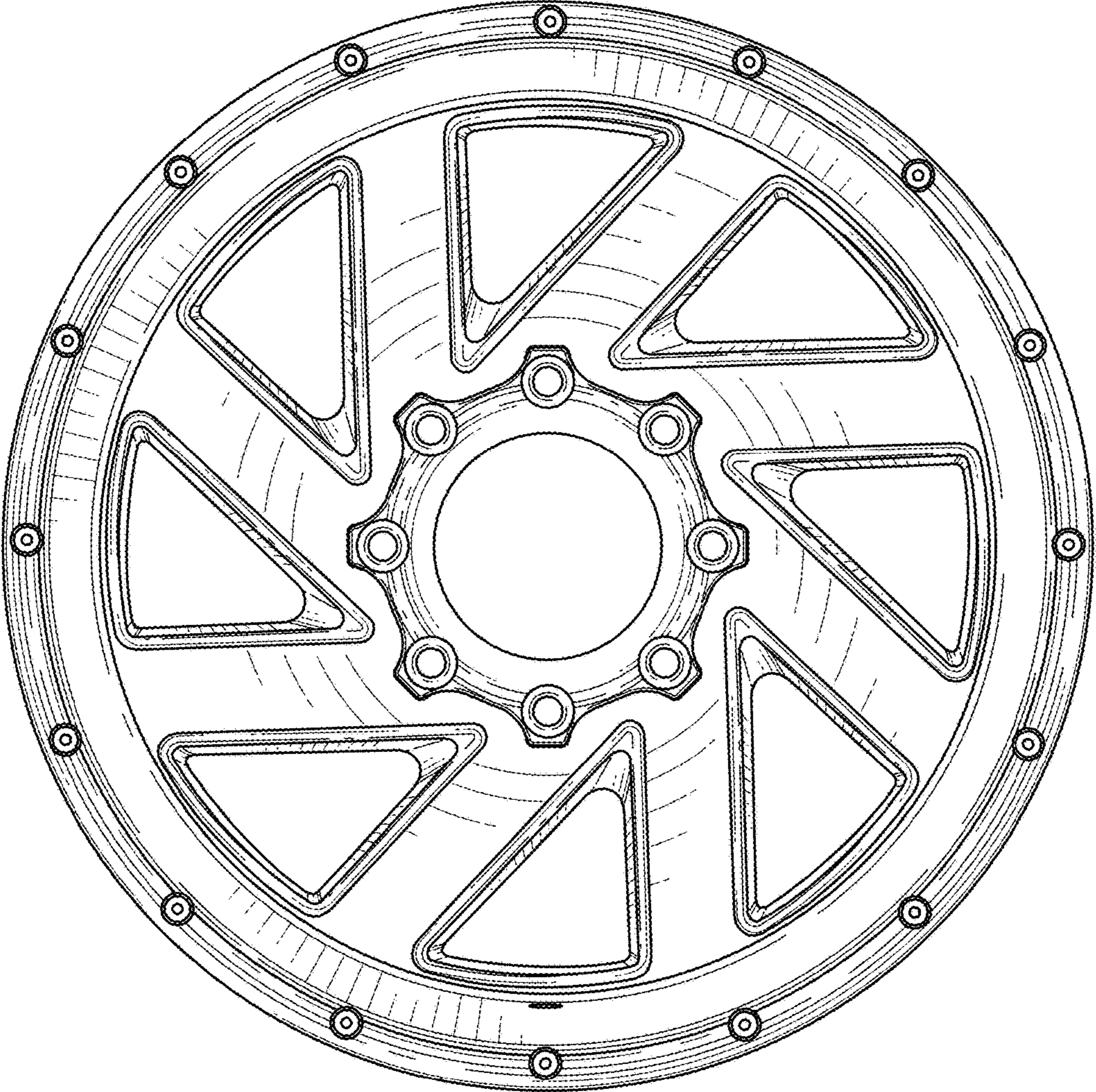


FIG. 2