

US00D840900S

(12) **United States Design Patent**
Lickliter

(10) **Patent No.:** **US D840,900 S**

(45) **Date of Patent:** **** Feb. 19, 2019**

(54) **WHEEL**

(71) Applicant: **Wheel Pros, LLC**, Greenwood Village,
CO (US)

(72) Inventor: **Hans Lickliter**, Canyon Country, CA
(US)

(**) Term: **15 Years**

(21) Appl. No.: **29/609,708**

(22) Filed: **Jul. 4, 2017**

(51) **LOC (11) Cl.** **12-16**

(52) **U.S. Cl.**
USPC **D12/211**

(58) **Field of Classification Search**
USPC D12/204–213
CPC B60B 7/00; B60B 7/02; B60B 7/04; B60B
7/01; B60B 7/06; B60B 3/02; B60B 3/04;
B60B 3/06; B60B 3/10; B60B 1/00;
B60B 1/08; B60B 1/10; B60B 1/12
See application file for complete search history.

(56) **References Cited**

U.S. PATENT DOCUMENTS

D455,701 S	*	4/2002	McMath	D12/209
D727,235 S	*	4/2015	Hans	D12/211
D752,496 S	*	3/2016	Smith	D12/209
D754,581 S	*	4/2016	Gallert	D12/209
D758,275 S	*	6/2016	Patel	D12/209

D761,711 S	*	7/2016	Wolff	D12/209
D775,044 S	*	12/2016	Smith	D12/209
D778,798 S	*	2/2017	Park	D12/209
D782,386 S	*	3/2017	Zhao	D12/211
D784,239 S	*	4/2017	Chung	D12/211
D787,405 S	*	5/2017	Nakamura	D12/209
D789,270 S	*	6/2017	Hodges	D12/209
D791,040 S	*	7/2017	Umehara	D12/209
D798,212 S	*	9/2017	Chung	D12/209
D799,399 S	*	10/2017	Chung	D12/211
D825,424 S	*	8/2018	Setter	D12/209
D830,265 S	*	10/2018	Chung	D12/209
D830,272 S	*	10/2018	Aslam	D12/213
D830,941 S	*	10/2018	Hamilton	D12/211

* cited by examiner

Primary Examiner — Stacia A Cadmus

(74) *Attorney, Agent, or Firm* — Eric Hanscom

(57) **CLAIM**

The ornamental design for a wheel, as shown and described.

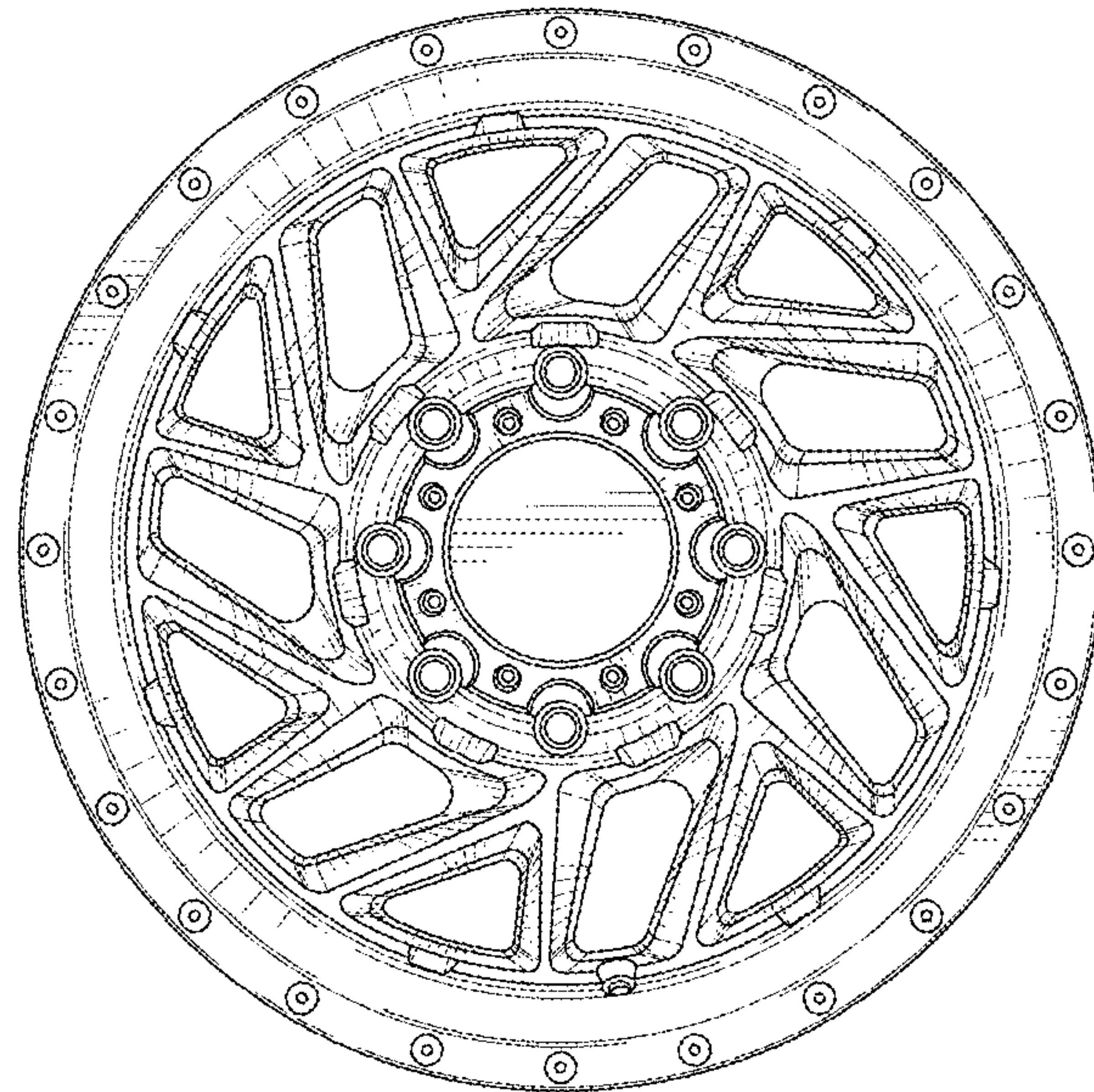
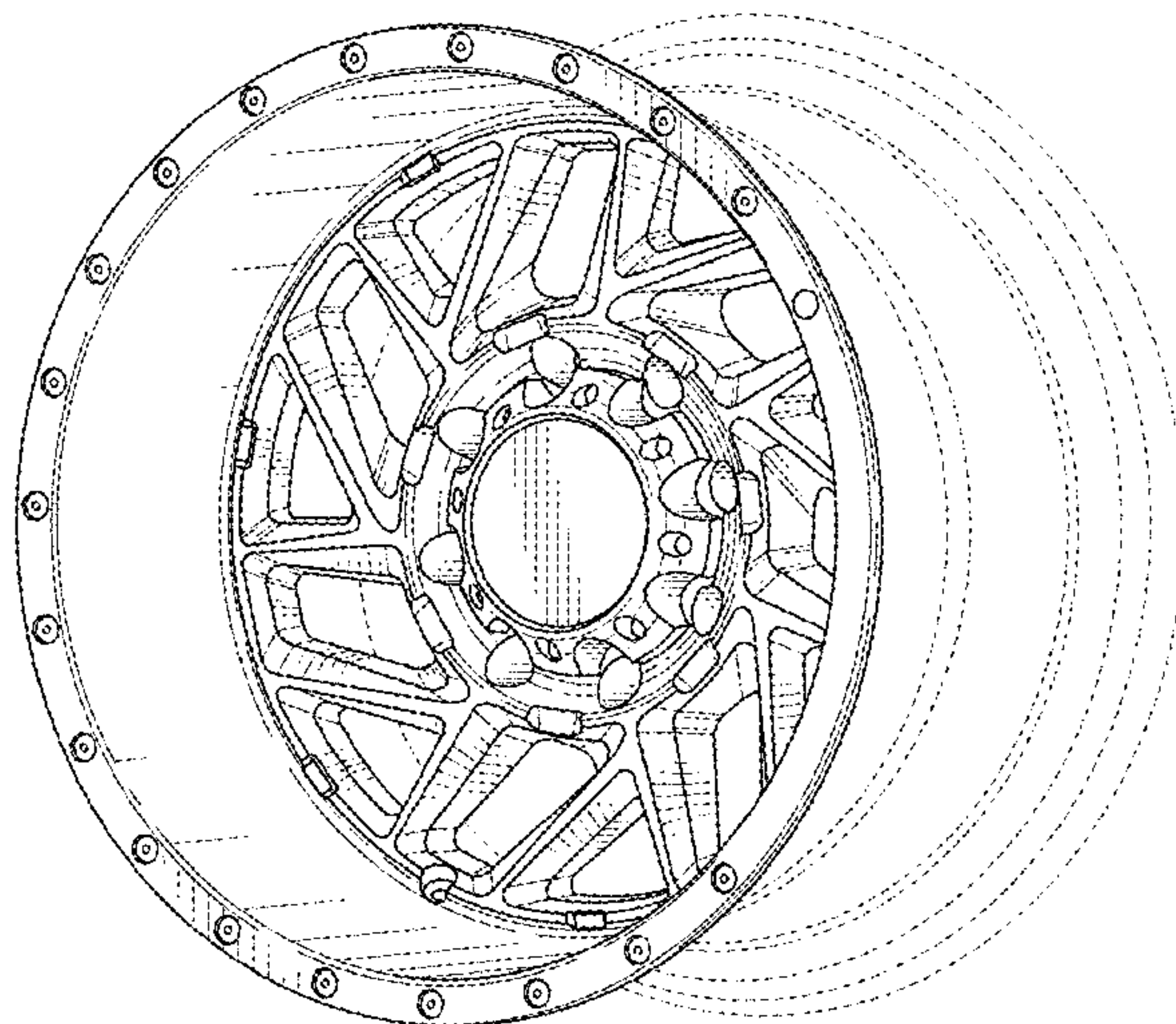
DESCRIPTION

FIG. 1 is a perspective view of a wheel showing my new design; and,

FIG. 2 is a front view thereof.

Dashed lines represent material that is not claimed by this patent, and are for purposes of illustration only. Applicant is claiming the front portion of the wheel only and makes no claim to the ornamental design of the sides or back of the wheel.

1 Claim, 2 Drawing Sheets



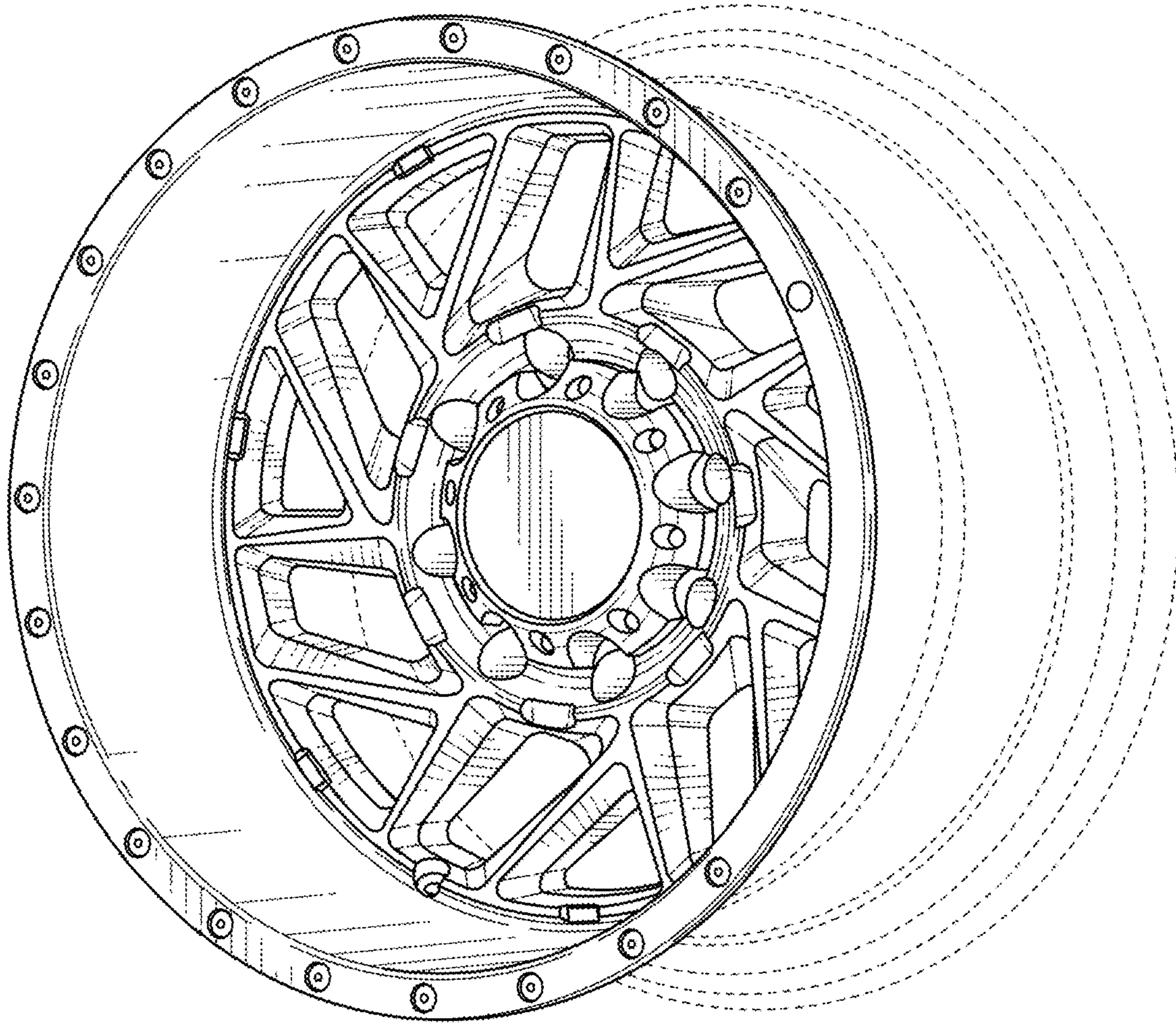


FIG. 1

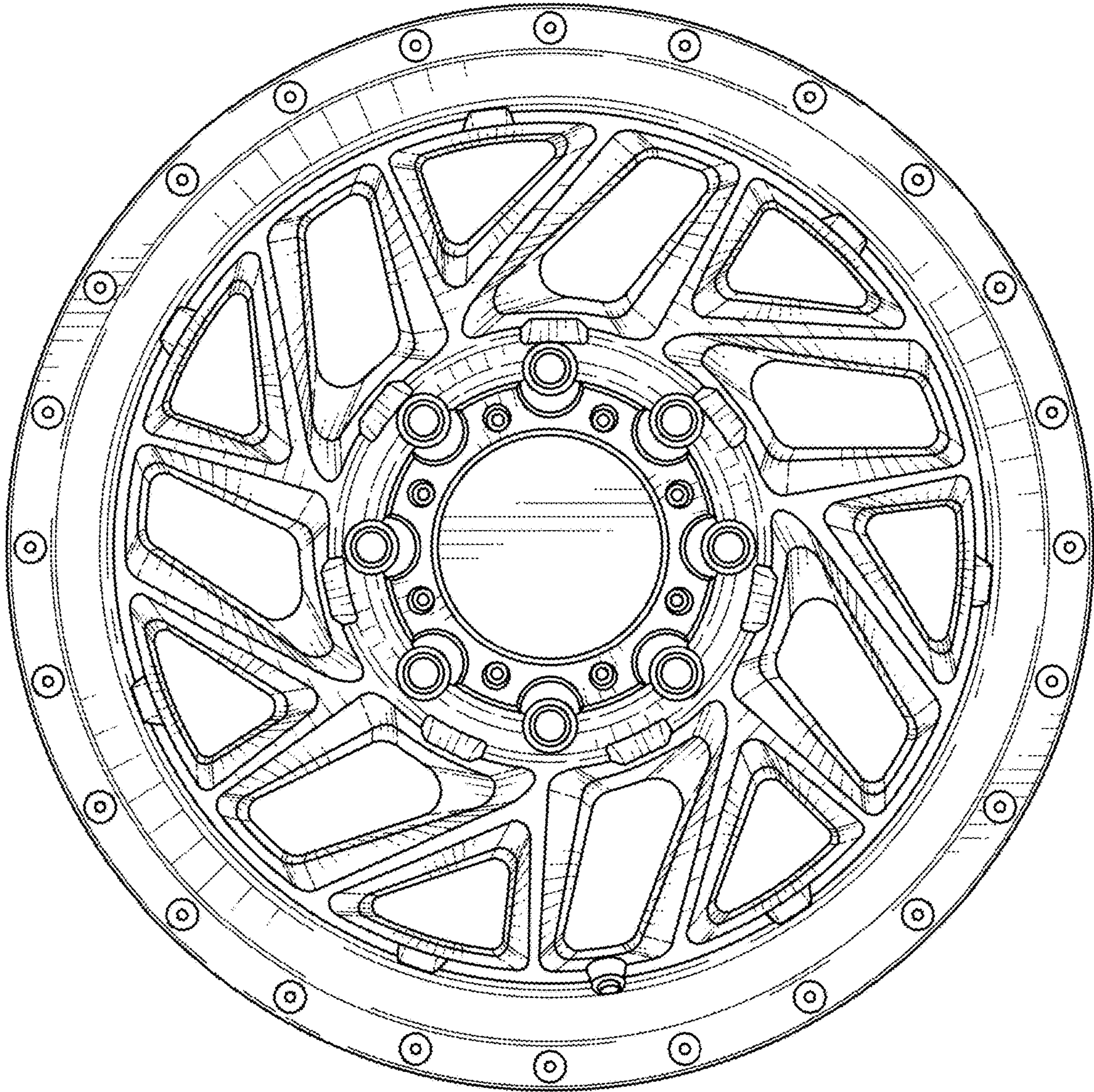


FIG. 2