

US00D840899S

(12) **United States Design Patent**
Chung

(10) **Patent No.:** **US D840,899 S**

(45) **Date of Patent:** **** Feb. 19, 2019**

(54) **AUTOMOTIVE WHEEL**

(71) Applicant: **Design Infini, Inc.**, Anaheim, CA (US)

(72) Inventor: **Suny Chung**, Anaheim, CA (US)

(73) Assignee: **Design Infini, Inc.**, Corona, CA (US)

(**) Term: **15 Years**

(21) Appl. No.: **29/581,170**

(22) Filed: **Oct. 17, 2016**

(51) **LOC (11) Cl.** **12-16**

(52) **U.S. Cl.**

USPC **D12/211**

(58) **Field of Classification Search**

USPC D12/204–213

CPC B60B 7/00; B60B 7/02; B60B 7/04; B60B 7/01; B60B 7/06; B60B 3/02; B60B 3/04; B60B 3/06; B60B 3/10; B60B 1/00; B60B 1/08; B60B 1/10; B60B 1/12

See application file for complete search history.

(56) **References Cited**

U.S. PATENT DOCUMENTS

D590,317 S *	4/2009	Chung	D12/211
D597,012 S *	7/2009	Chung	D12/211
D704,118 S *	5/2014	Chung	D12/209
D727,829 S *	4/2015	Chung	D12/211
D763,163 S *	8/2016	Chung	D12/211
D764,374 S *	8/2016	Chung	D12/211

D764,375 S *	8/2016	Chung	D12/211
D787,407 S *	5/2017	Chung	D12/211
D797,029 S *	9/2017	Chung	D12/211

* cited by examiner

Primary Examiner — Stacia A Cadmus

(74) *Attorney, Agent, or Firm* — Knobbe, Martens, Olson & Bear, LLP

(57) **CLAIM**

The ornamental design for an automotive wheel, as shown and described.

DESCRIPTION

FIG. 1 is a perspective view of a first embodiment of an automotive wheel, showing my new design;

FIG. 2 is another perspective view thereof; and

FIG. 3 is a front view thereof.

FIG. 4 is a perspective view of a second embodiment of an automotive wheel, showing my new design;

FIG. 5 is another perspective view thereof; and

FIG. 6 is a front view thereof.

FIG. 7 is a perspective view of a third embodiment of an automotive wheel, showing my new design;

FIG. 8 is another perspective view thereof; and

FIG. 9 is a front view thereof.

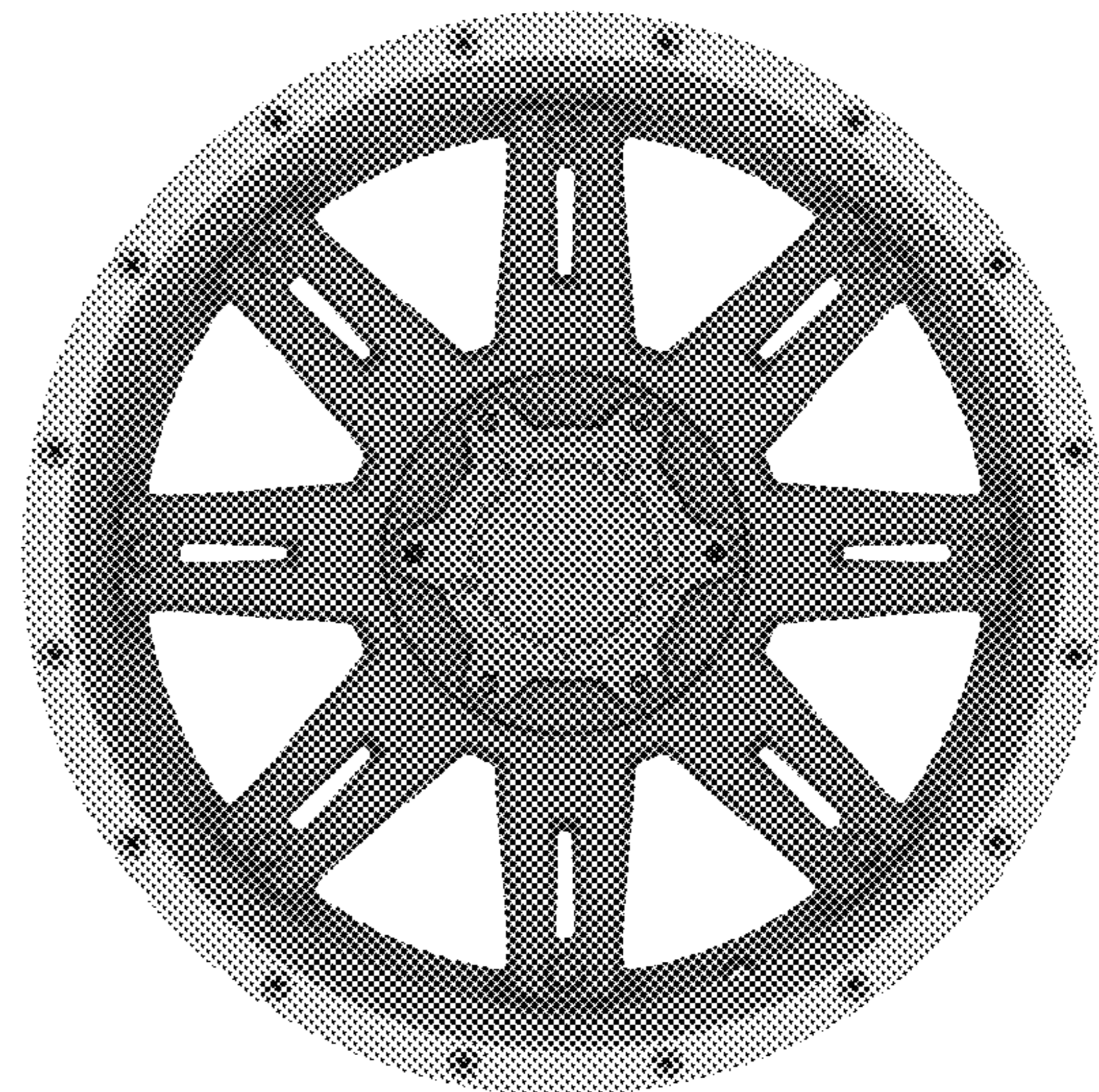
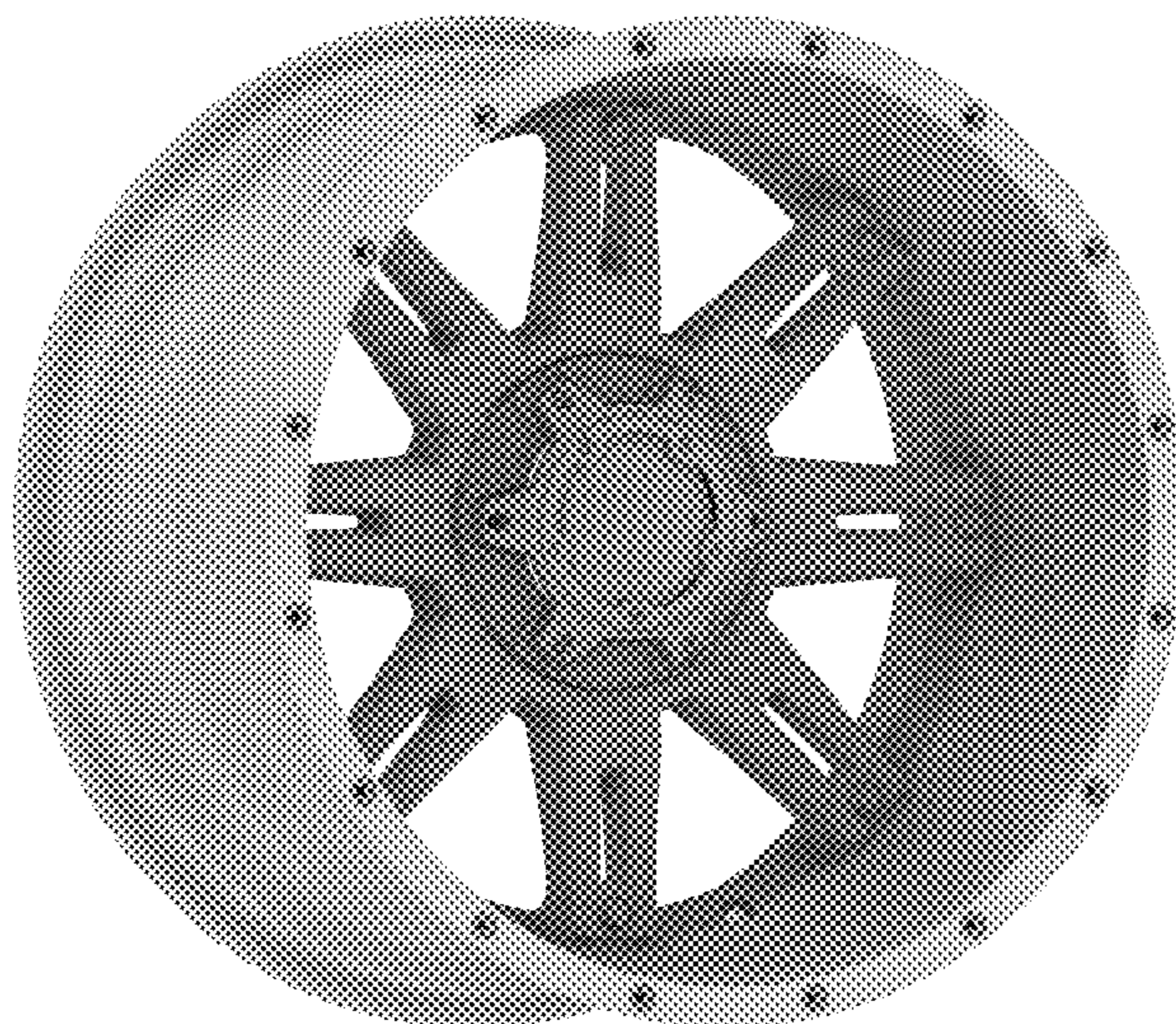
FIG. 10 is a perspective view of a fourth embodiment of an automotive wheel, showing my new design;

FIG. 11 is another perspective view thereof; and

FIG. 12 is a front view thereof; and,

FIG. 13 is a side view of the automotive wheel in FIGS. 1-12.

1 Claim, 13 Drawing Sheets



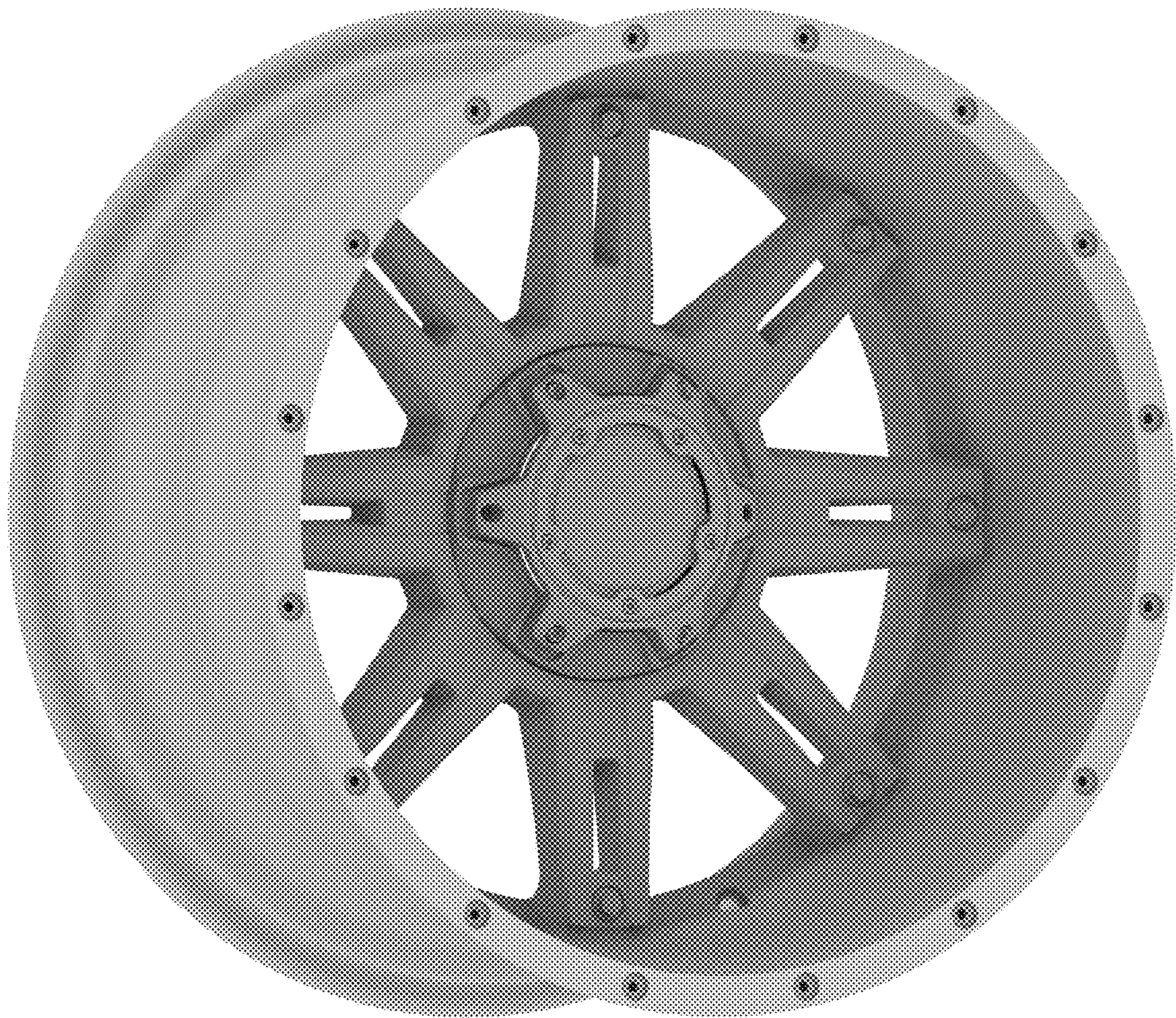


FIGURE 1

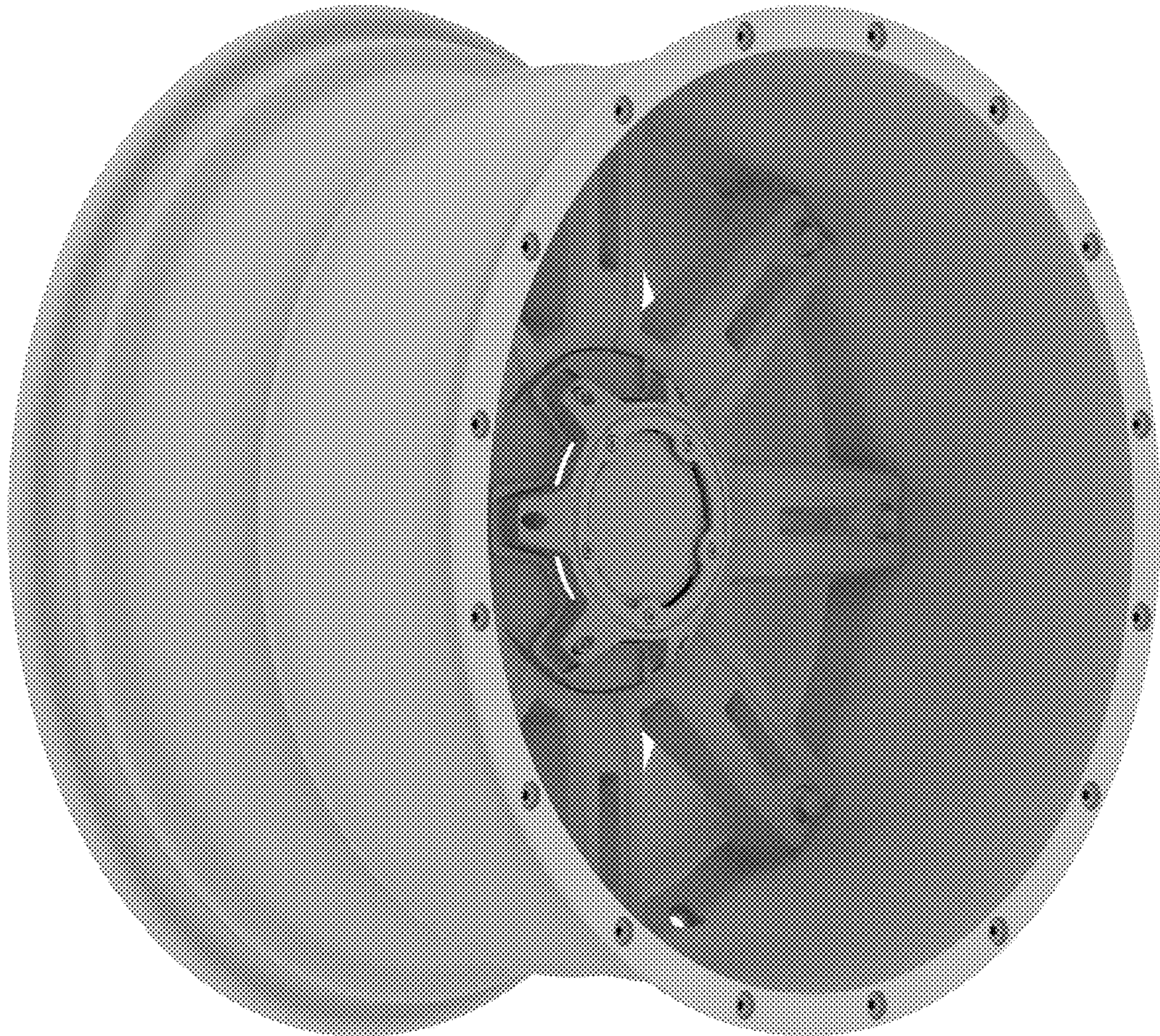


FIGURE 2

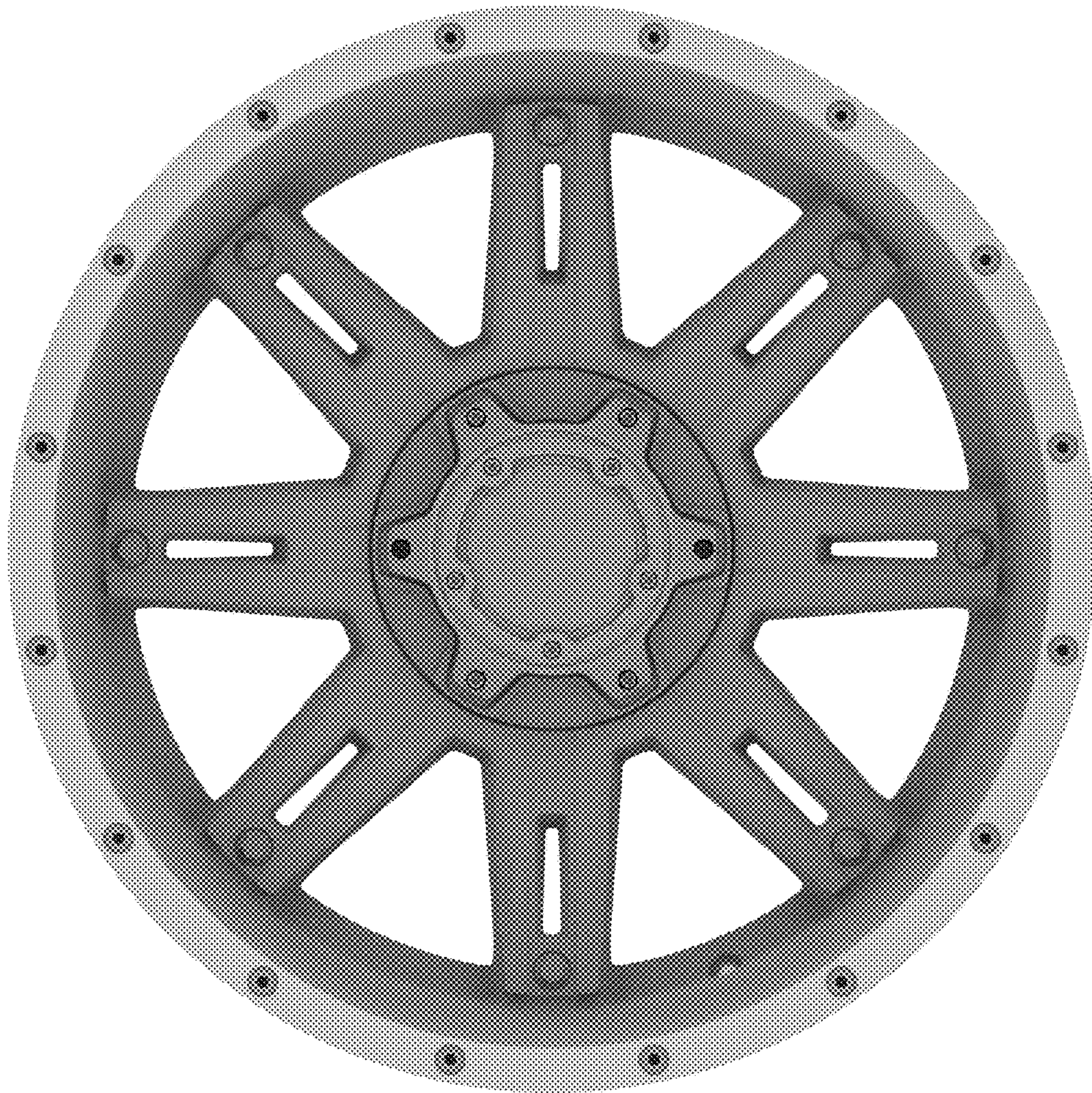


FIGURE 3

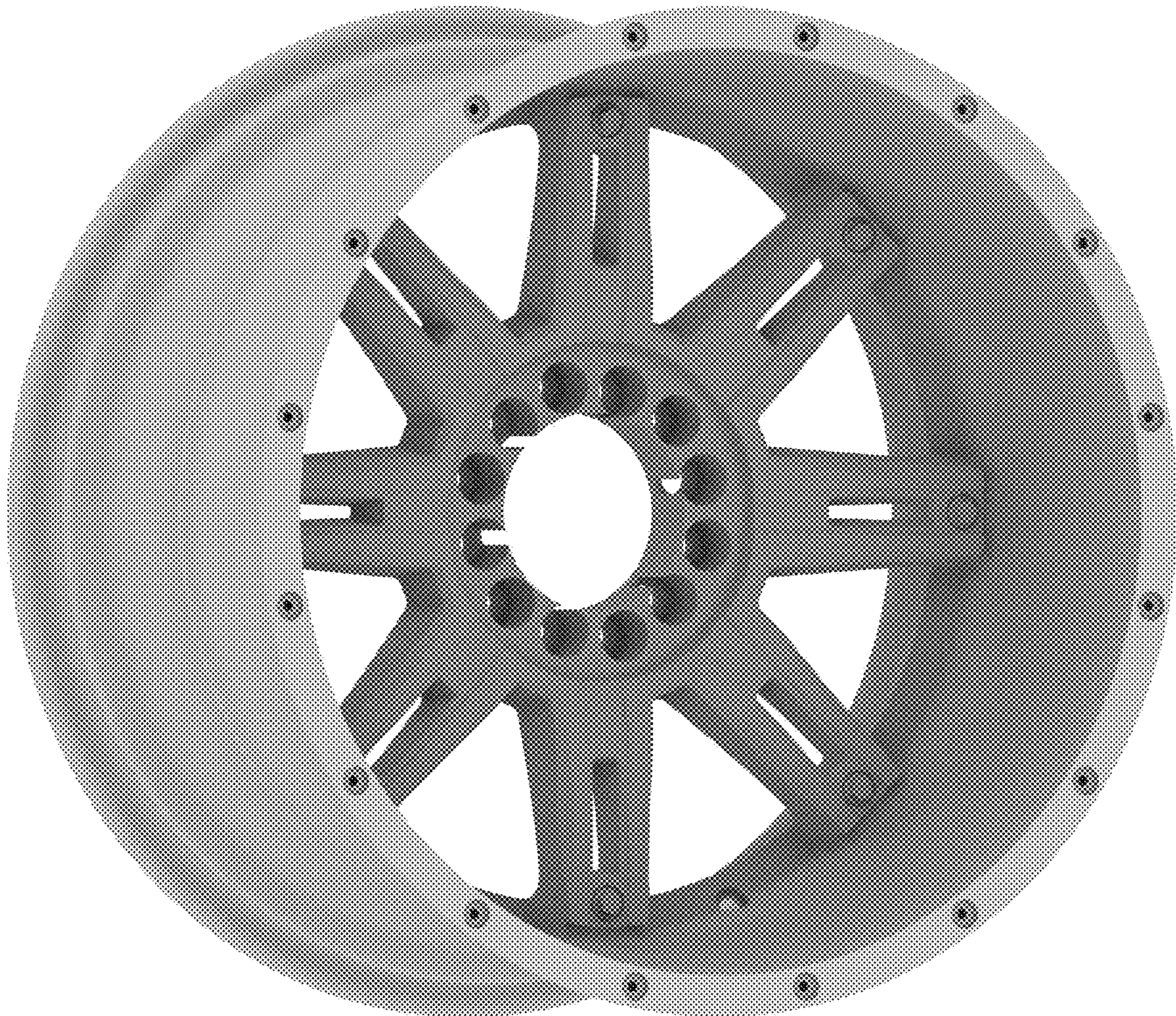


FIGURE 4

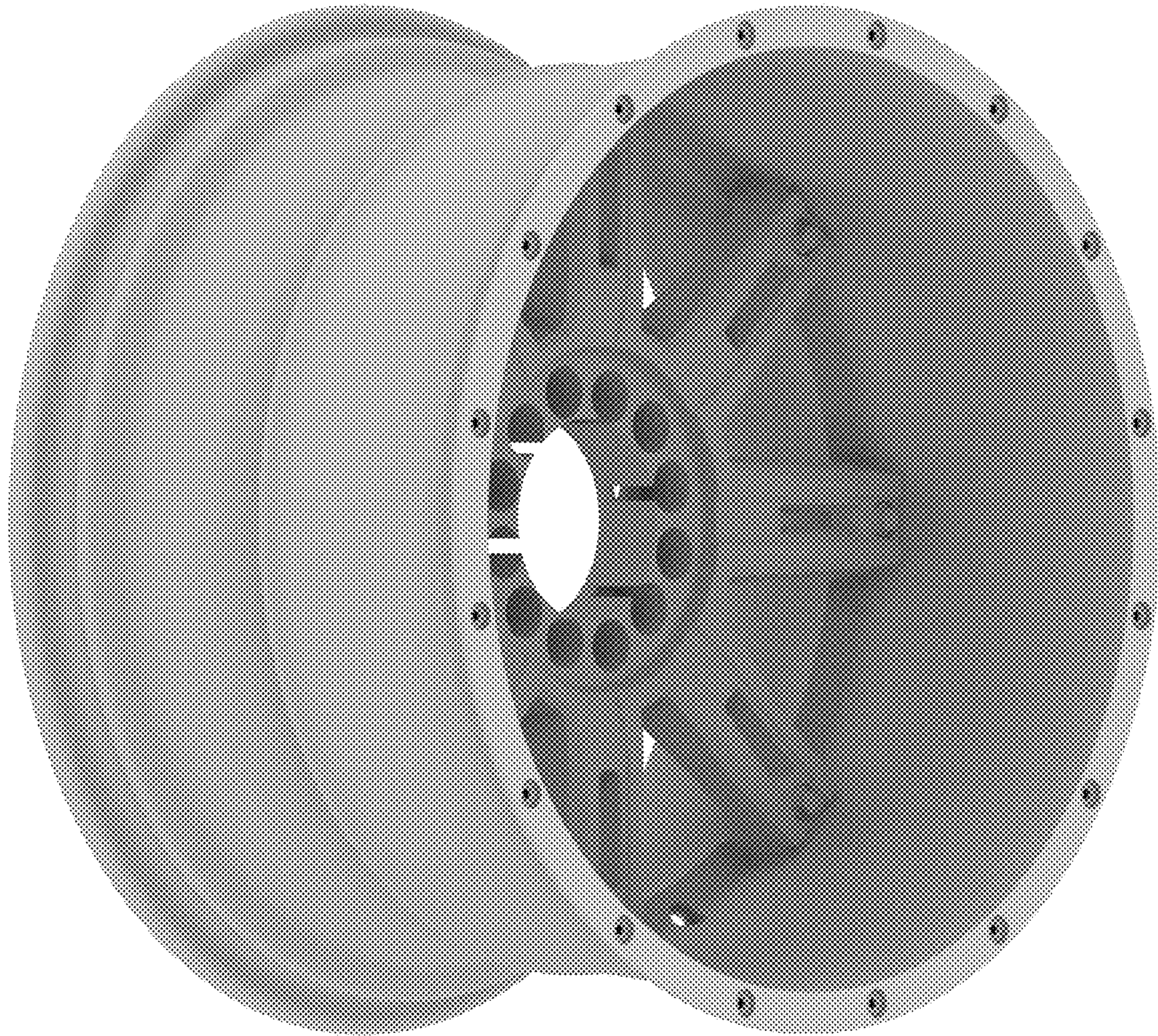


FIGURE 5

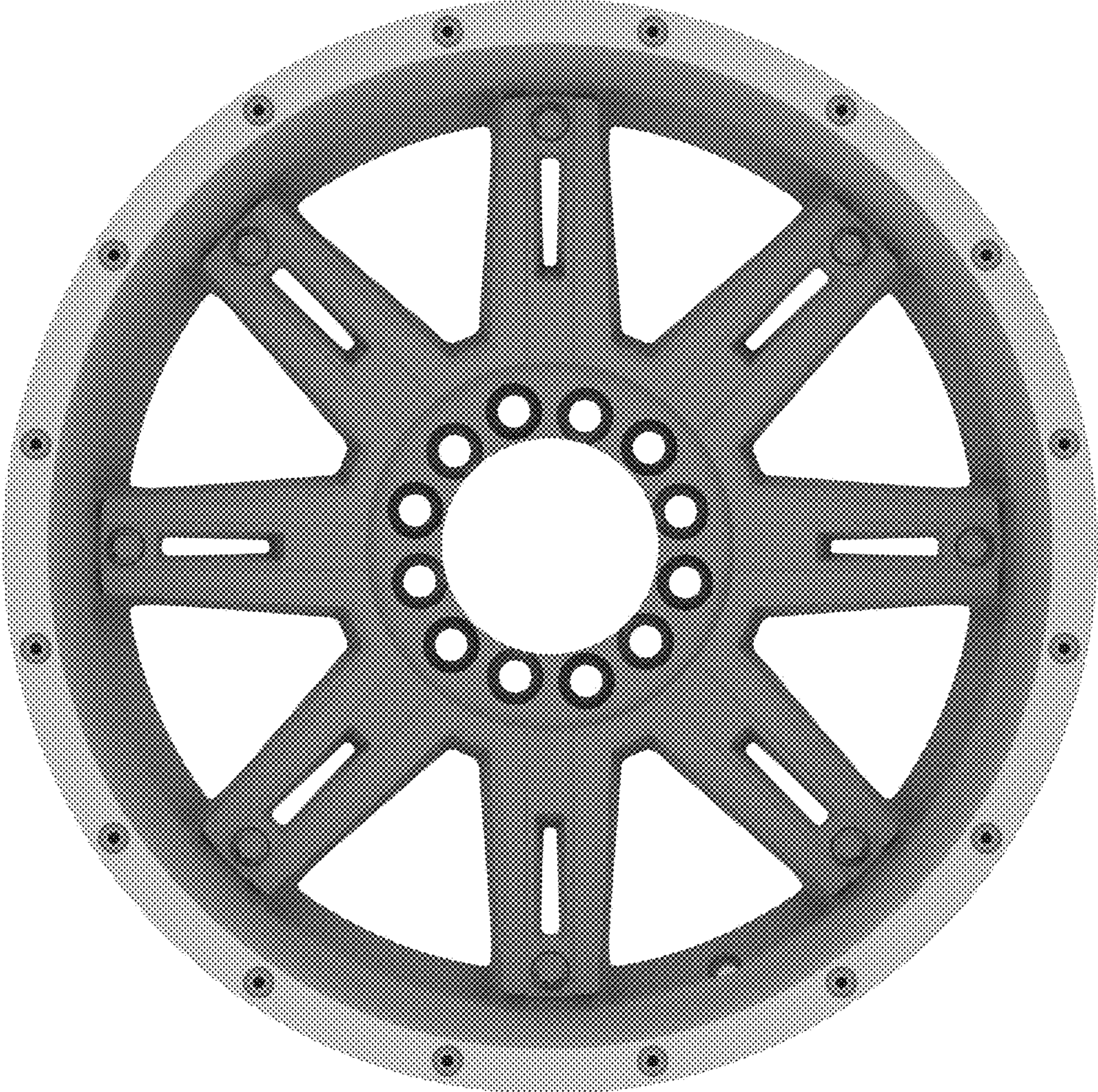


FIGURE 6

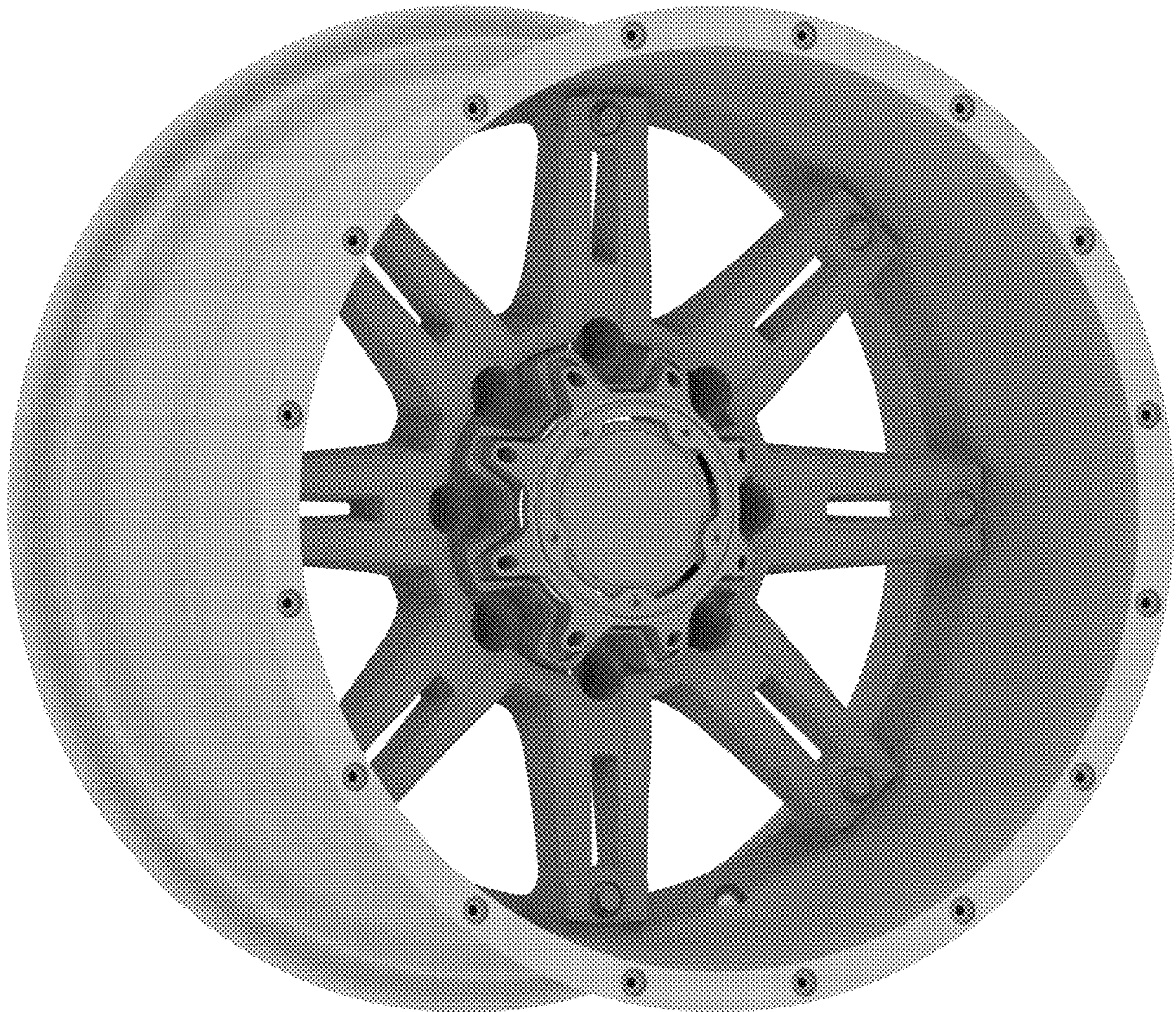


FIGURE 7

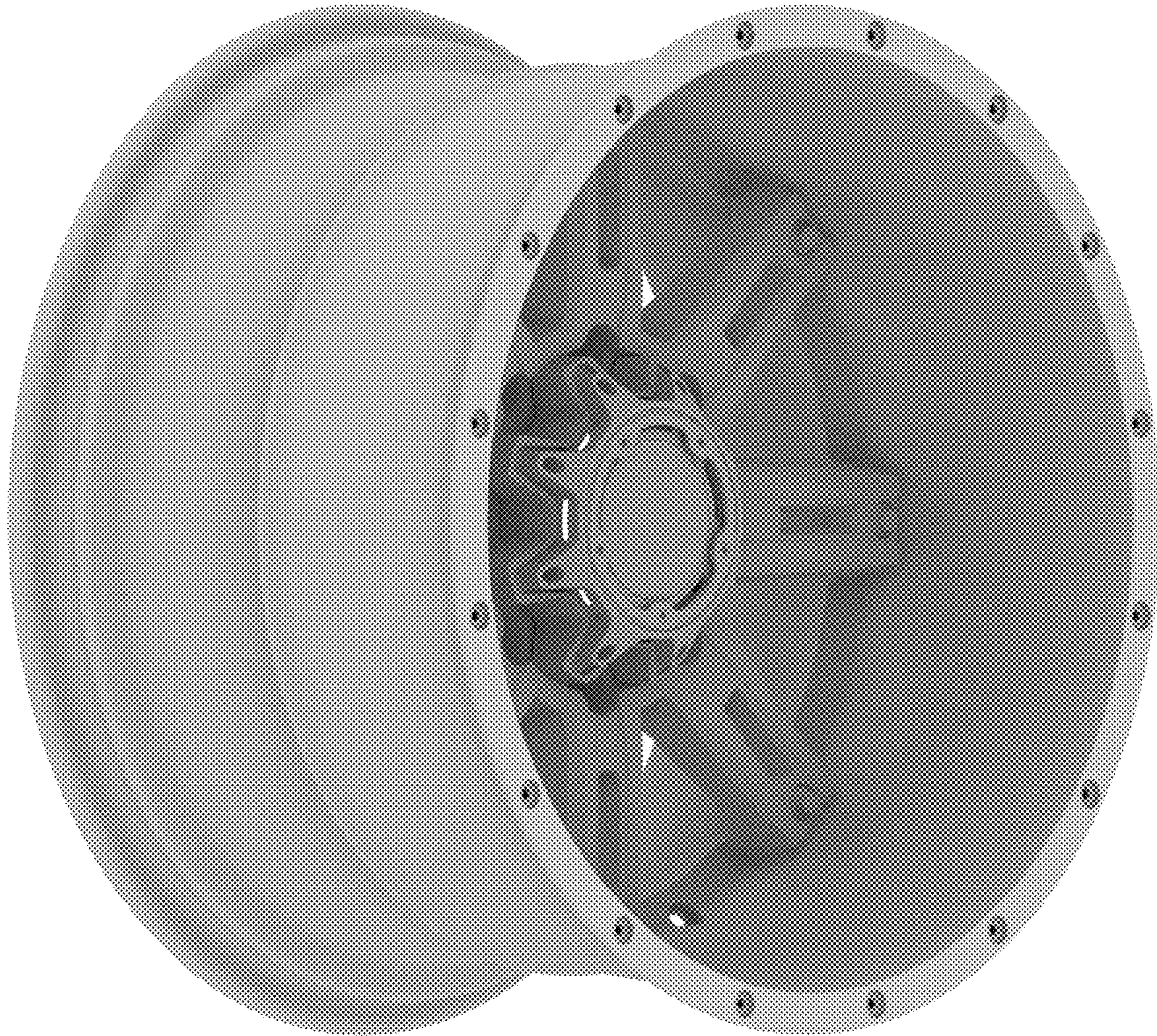


FIGURE 8

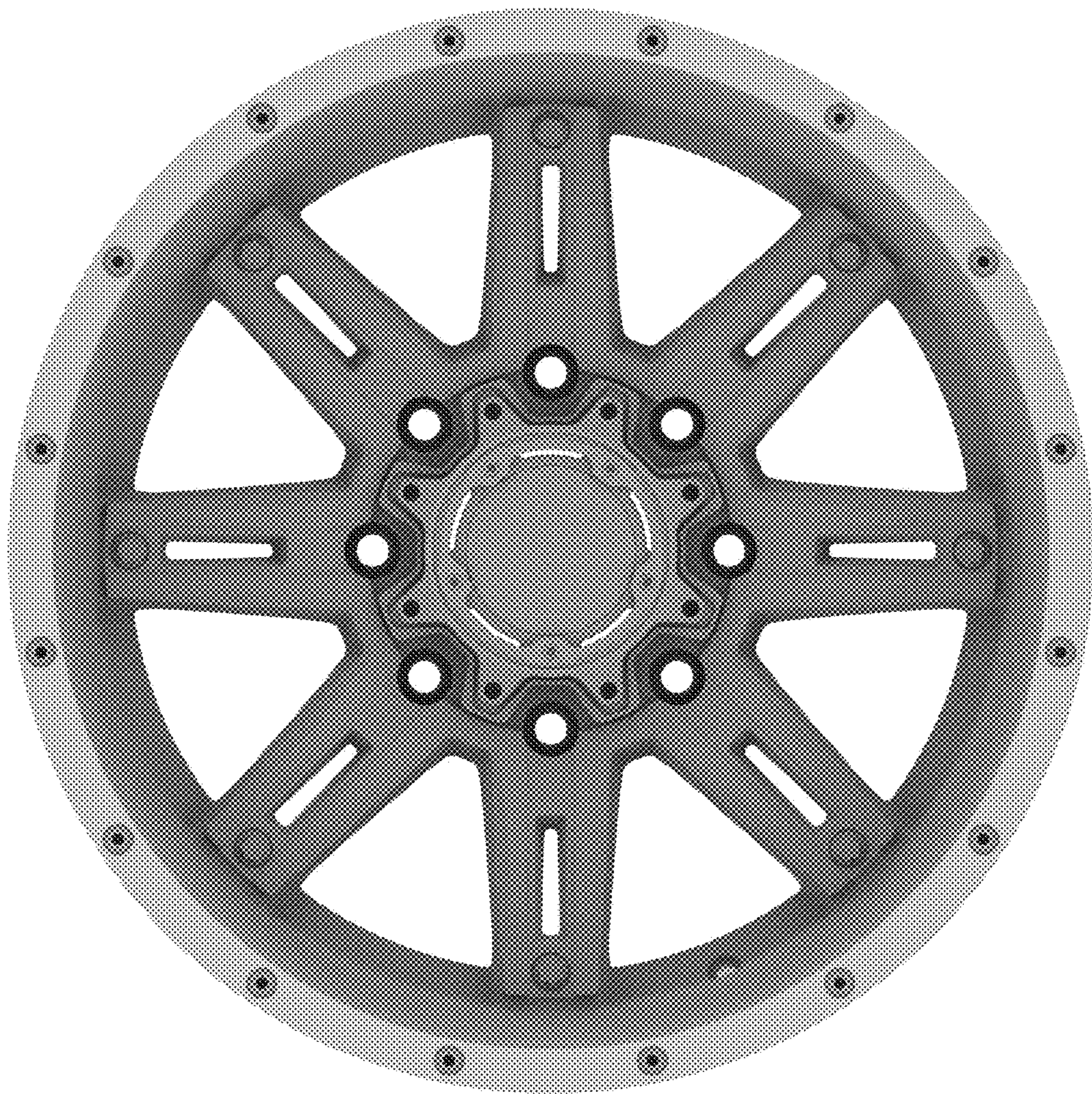


FIGURE 9

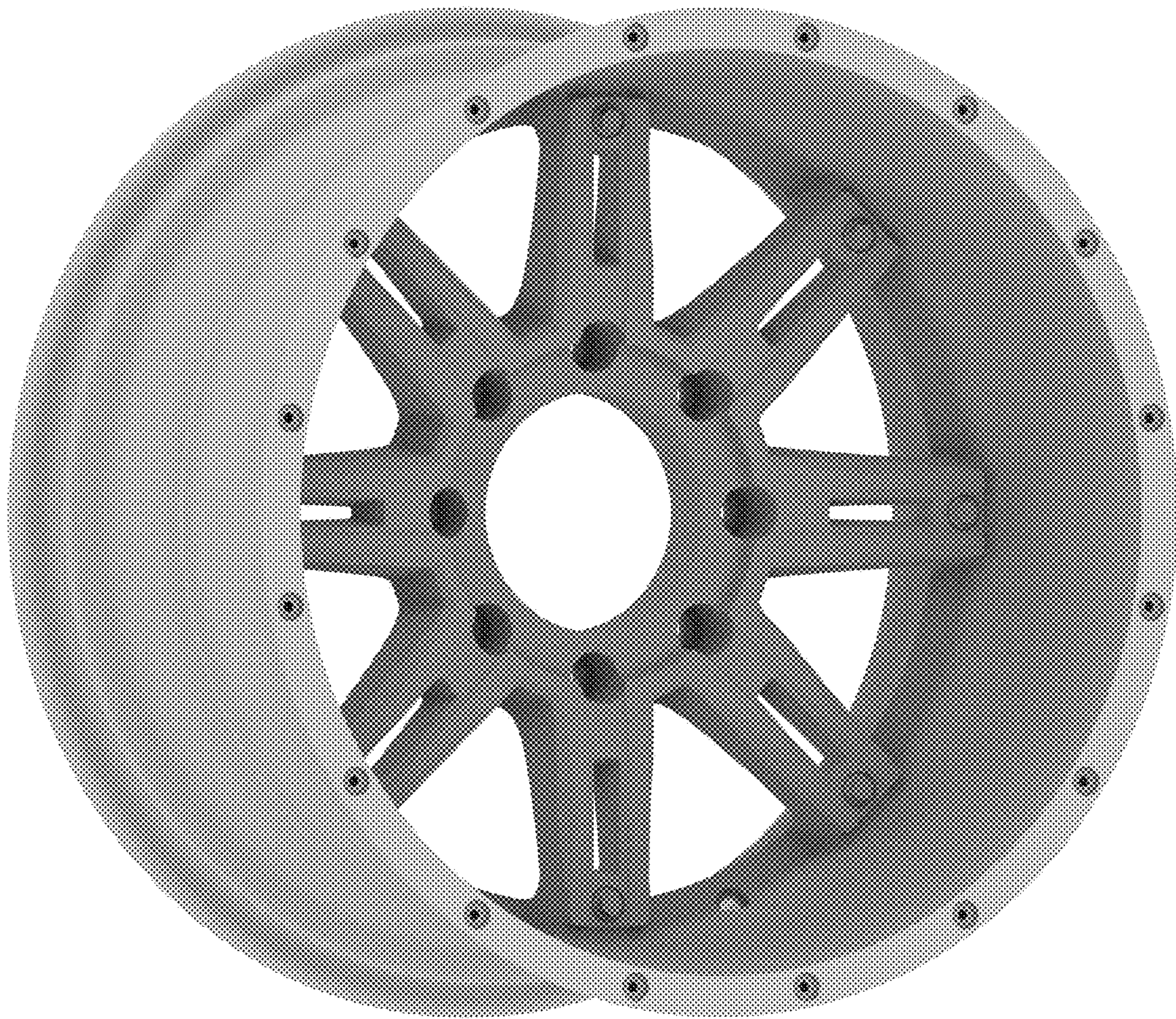


FIGURE 10

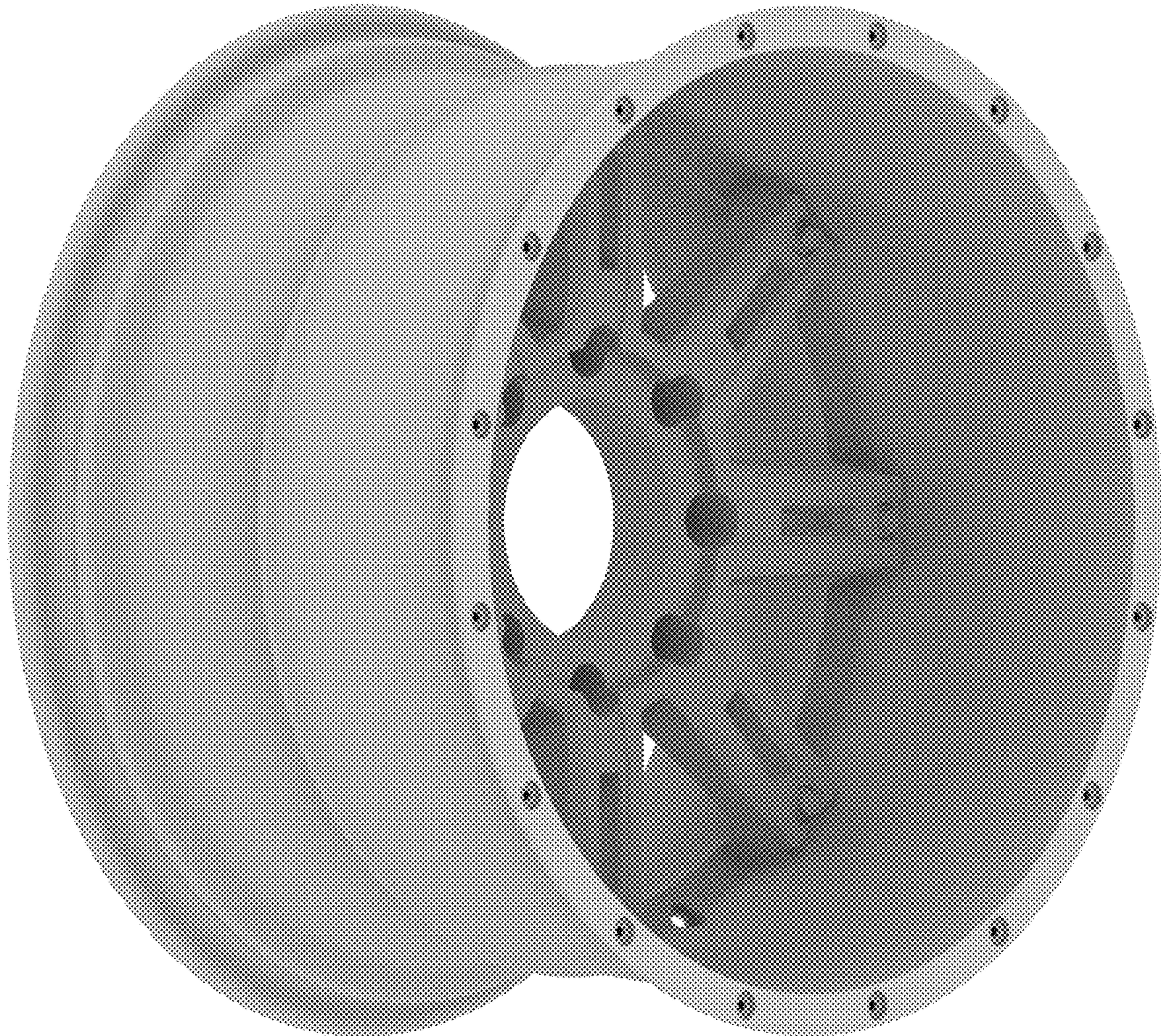


FIGURE 11

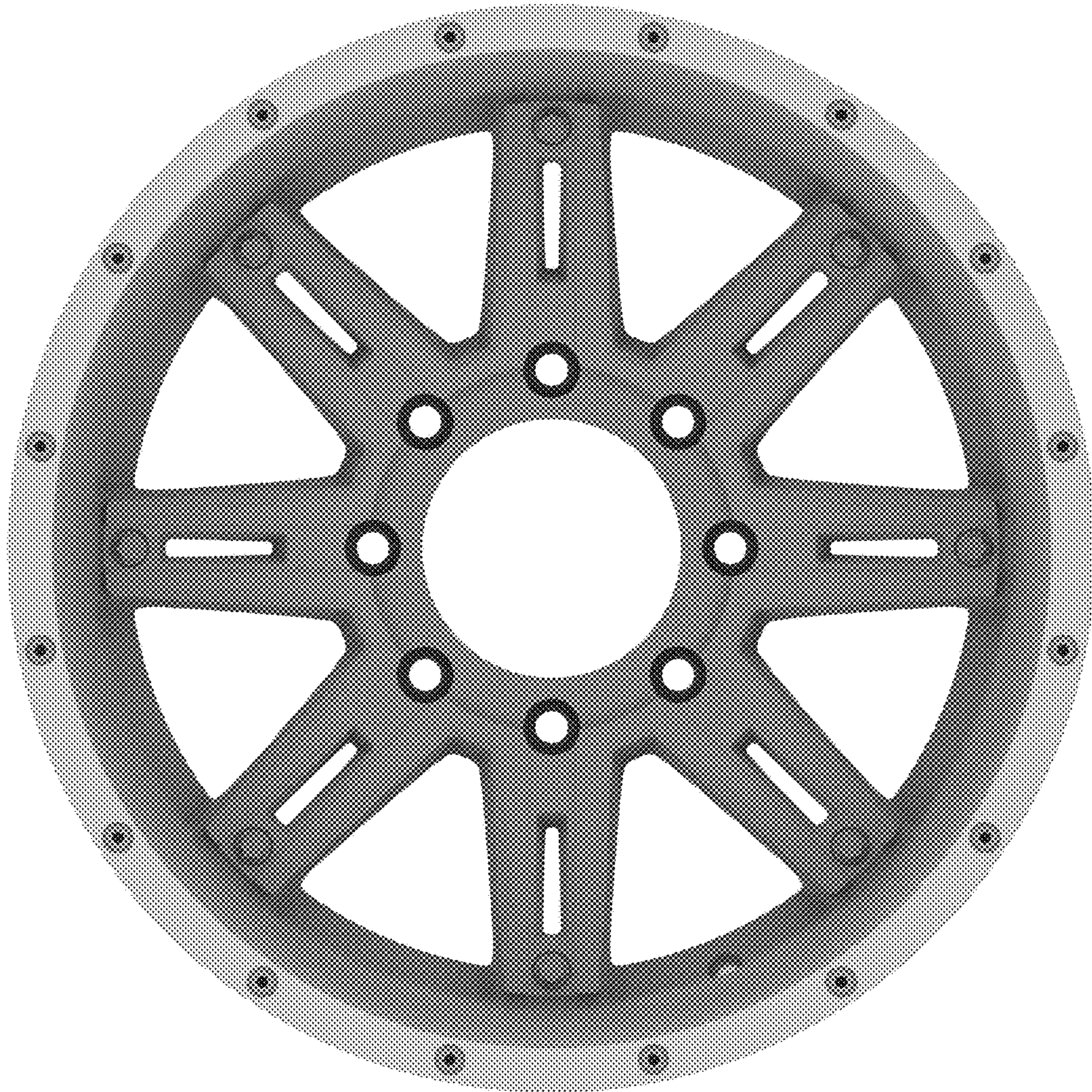


FIGURE 12

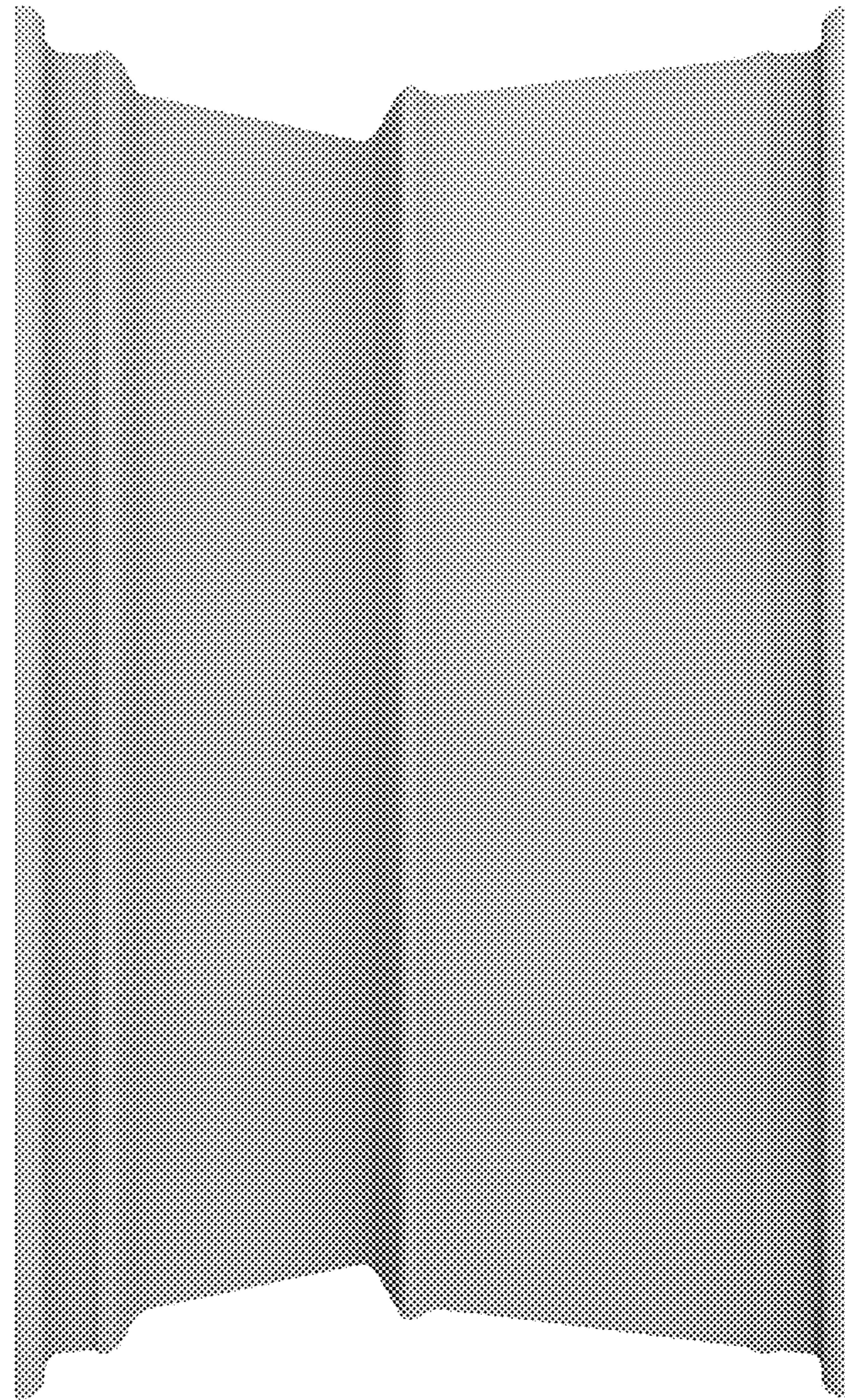


FIGURE 13