



US00D840897S

(12) **United States Design Patent** (10) **Patent No.:** **US D840,897 S**  
**Aiba** (45) **Date of Patent:** **\*\* Feb. 19, 2019**

(54) **WHEEL FOR AN AUTOMOBILE**  
(71) Applicant: **Subaru Corporation**, Tokyo (JP)  
(72) Inventor: **Kazuki Aiba**, Tokyo (JP)  
(73) Assignee: **Subaru Corporation**, Tokyo (JP)  
(\*\*) Term: **15 Years**  
(21) Appl. No.: **29/617,291**  
(22) Filed: **Sep. 13, 2017**  
(30) **Foreign Application Priority Data**

Mar. 13, 2017 (JP) ..... 2017-005058

(51) **LOC (11) Cl.** ..... **12-16**  
(52) **U.S. Cl.**  
USPC ..... **D12/209**  
(58) **Field of Classification Search**  
USPC ..... D12/204–213  
CPC .... B60B 7/00; B60B 7/02; B60B 7/04; B60B  
7/01; B60B 7/06; B60B 3/02; B60B 3/04;  
B60B 3/06; B60B 3/10; B60B 1/00;  
B60B 1/08; B60B 1/10; B60B 1/12  
See application file for complete search history.

(56) **References Cited**

U.S. PATENT DOCUMENTS

D505,372 S \* 5/2005 Kushartanto ..... D12/209  
D540,240 S \* 4/2007 Kountouras ..... D12/211  
D567,167 S \* 4/2008 Forster ..... D12/211  
D594,396 S \* 6/2009 Juergens ..... D12/209  
D594,802 S \* 6/2009 Gustafsson ..... D12/211  
D629,346 S \* 12/2010 Szews ..... D12/211

D633,027 S \* 2/2011 Matei ..... D12/211  
D641,679 S \* 7/2011 Vardis ..... D12/211  
D672,702 S \* 12/2012 Pollmann ..... D12/211  
D704,120 S \* 5/2014 Feuerherdt ..... D12/211  
D725,571 S \* 3/2015 Kobayashi ..... D12/211  
D734,701 S \* 7/2015 Mielke ..... D12/209  
D741,237 S \* 10/2015 Furst ..... D12/209  
D753,571 S \* 4/2016 Juergens ..... D12/211  
D759,563 S \* 6/2016 Setter ..... D12/209  
D763,763 S \* 8/2016 Stone ..... D12/209  
D769,169 S \* 10/2016 Kumeya ..... D12/211  
D787,409 S \* 5/2017 Smith ..... D12/211  
D791,039 S \* 7/2017 Rueckheim ..... D12/209  
D796,410 S \* 9/2017 Churchill ..... D12/211  
D799,395 S \* 10/2017 Chung ..... D12/209  
D803,136 S \* 11/2017 Platto ..... D12/211  
D814,379 S \* 4/2018 Cloke ..... D12/209

\* cited by examiner

*Primary Examiner* — Stacia A Cadmus

(74) *Attorney, Agent, or Firm* — Schiff Hardin LLP

(57) **CLAIM**

I claim the ornamental design for a wheel for an automobile thereof, as shown and described.

**DESCRIPTION**

FIG. 1 is a front perspective view for a “wheel for an automobile” showing my new design, FIG. 2 is a rear perspective view thereof, FIG. 3 is a front view thereof, FIG. 4 is a rear view thereof, FIG. 5 is a top view thereof, FIG. 6 is a bottom view thereof, FIG. 7 is a left-side view thereof; and, FIG. 8 is a right-side view thereof.

**1 Claim, 8 Drawing Sheets**

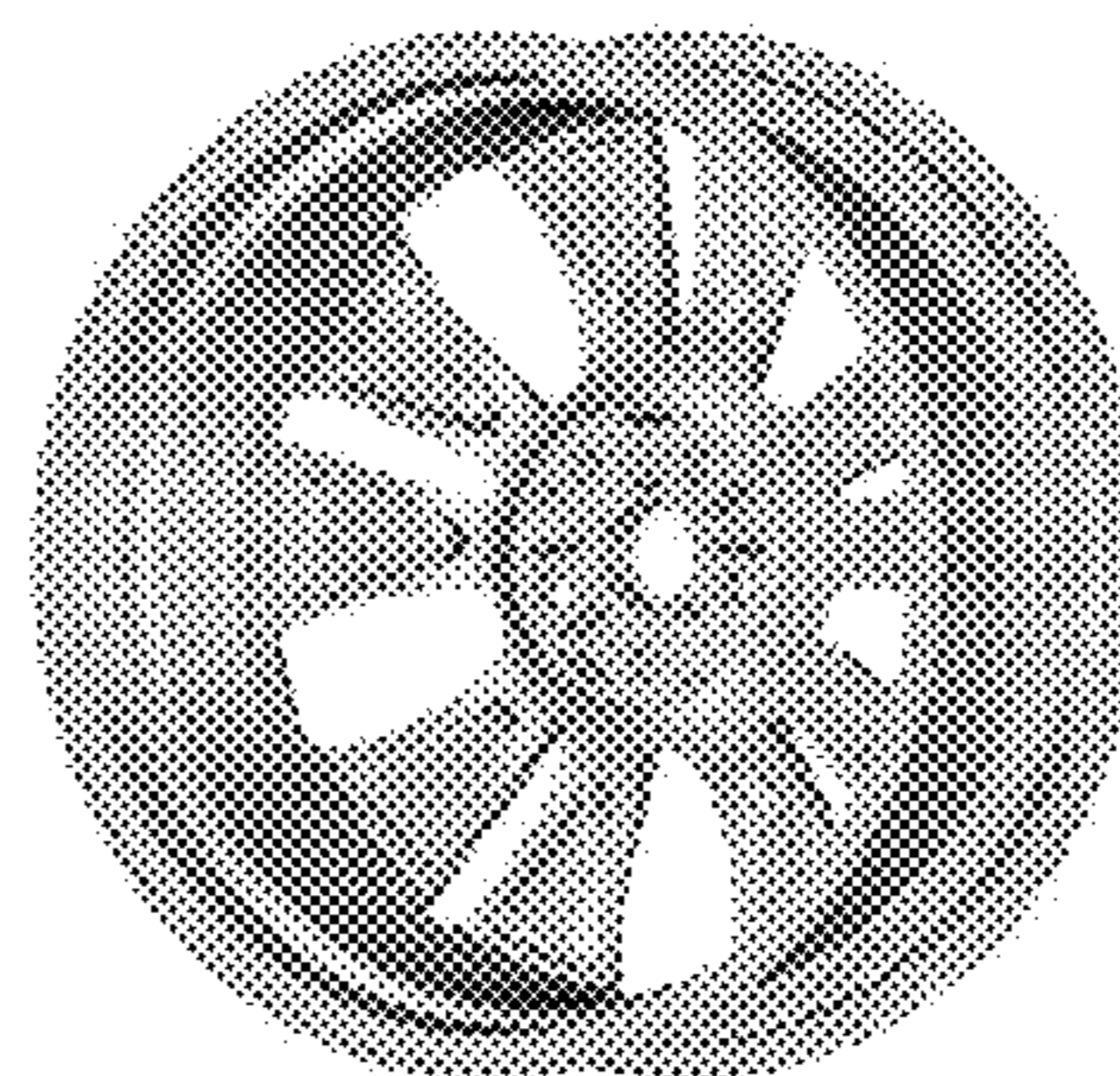
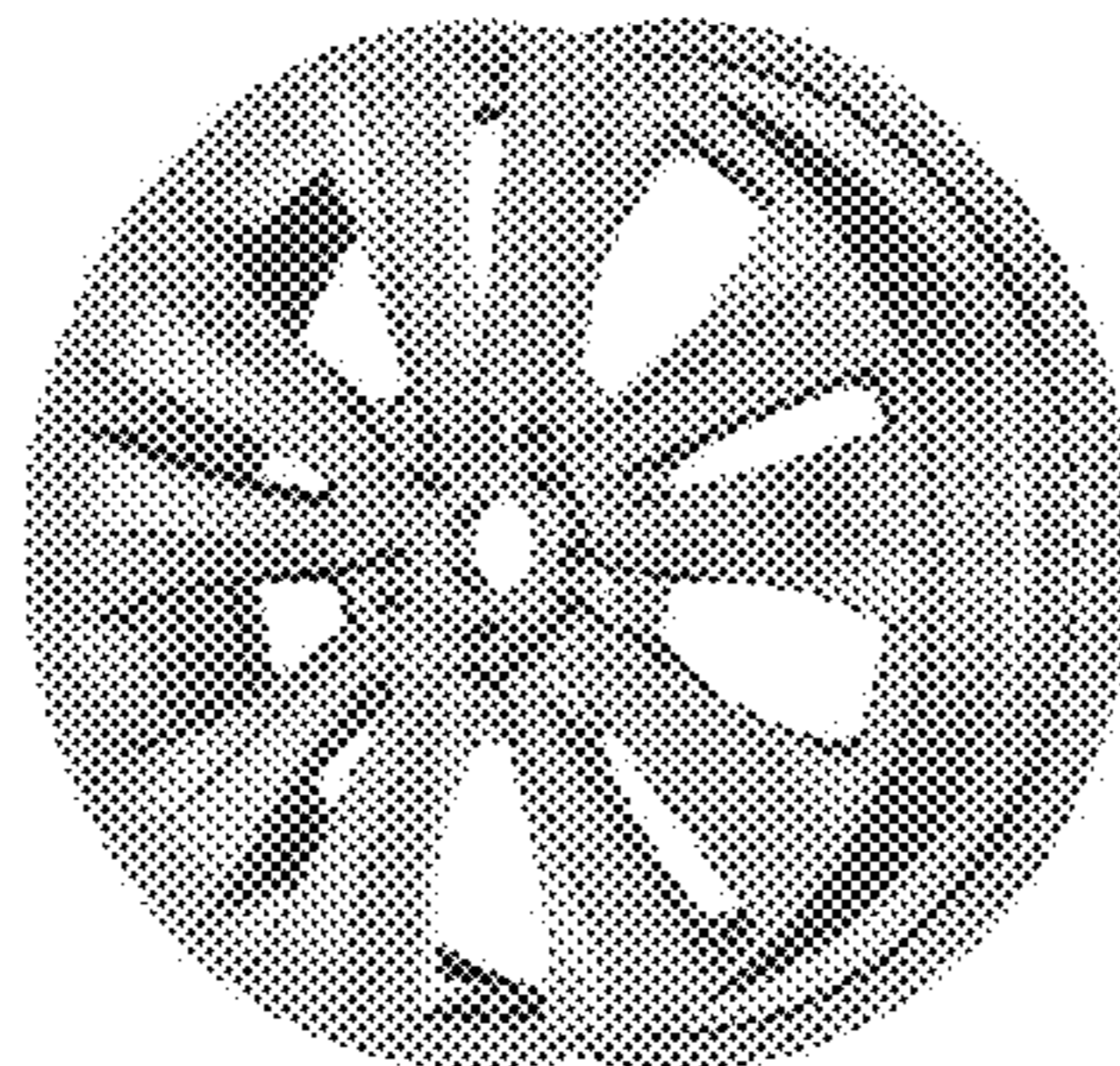


Fig. 1

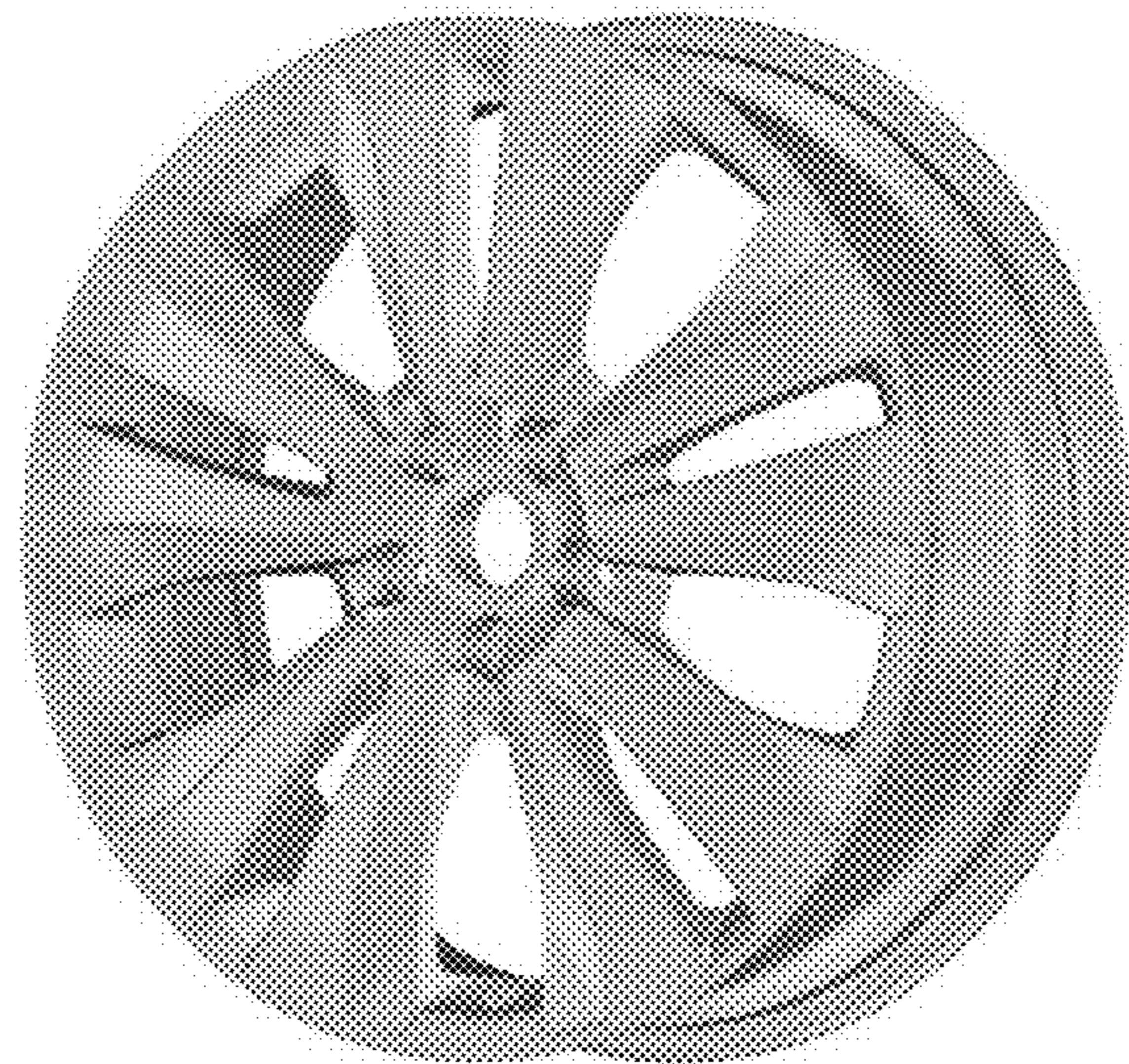


Fig. 2



Fig. 3

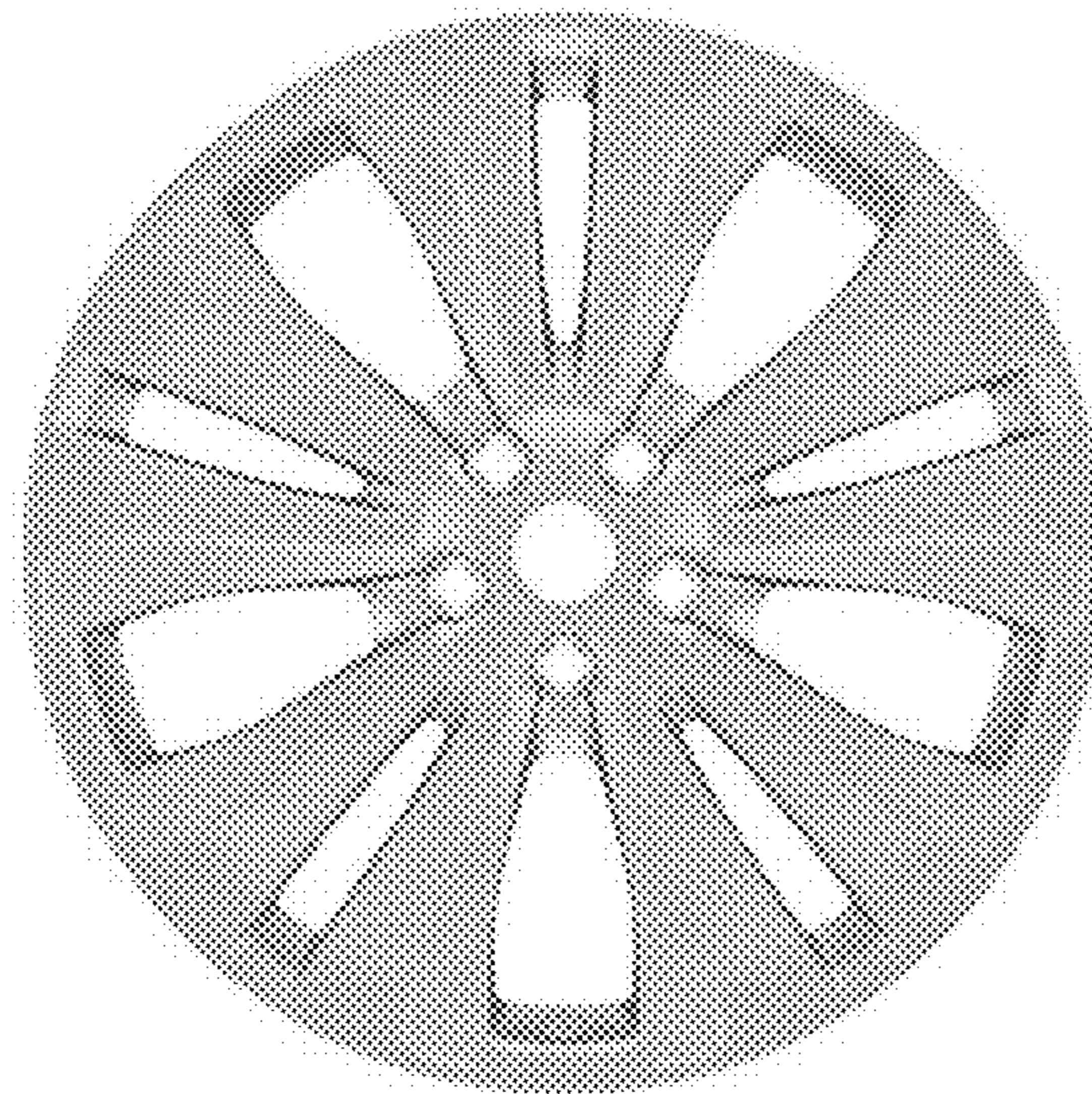


Fig. 4

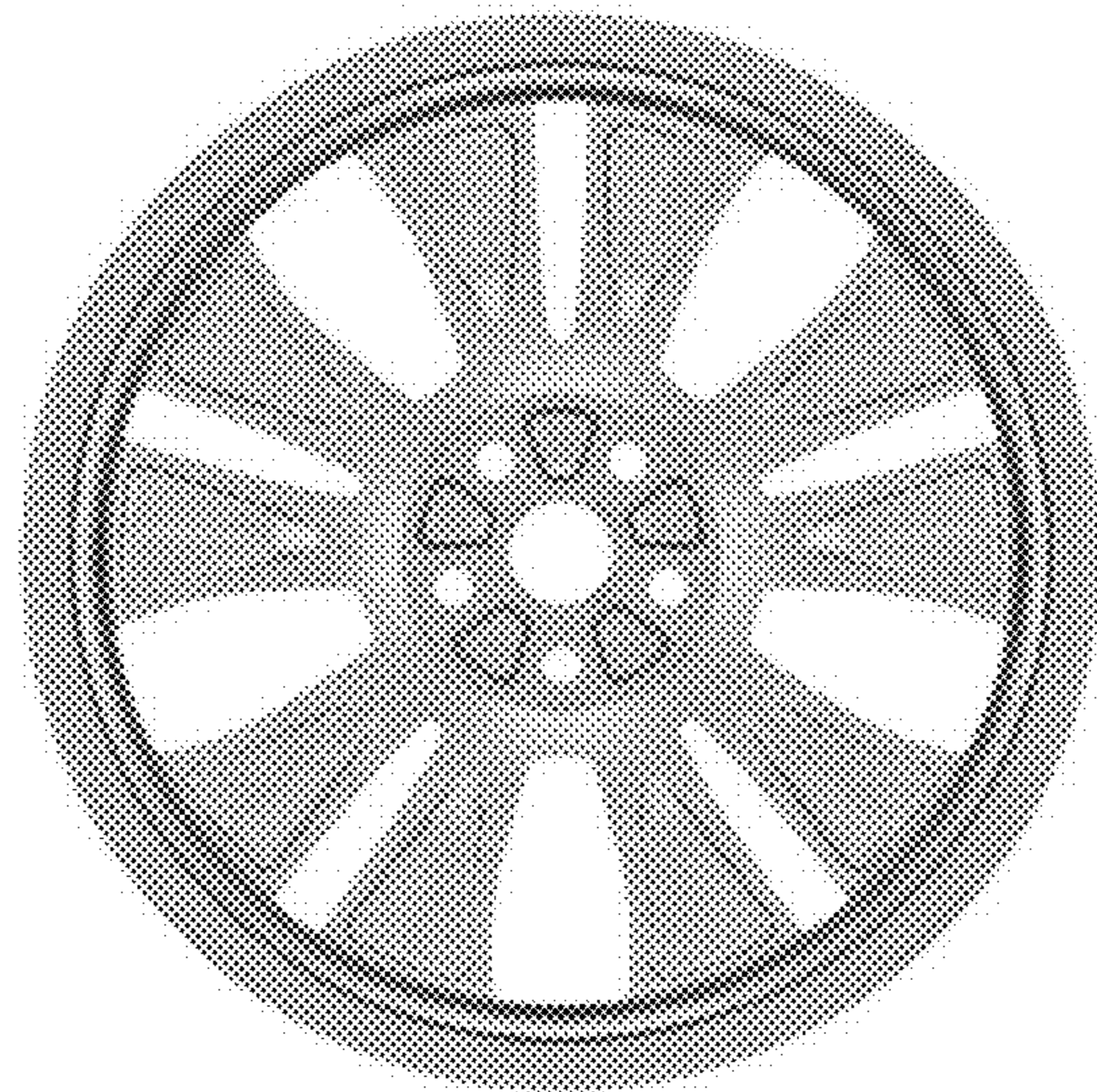


Fig. 5

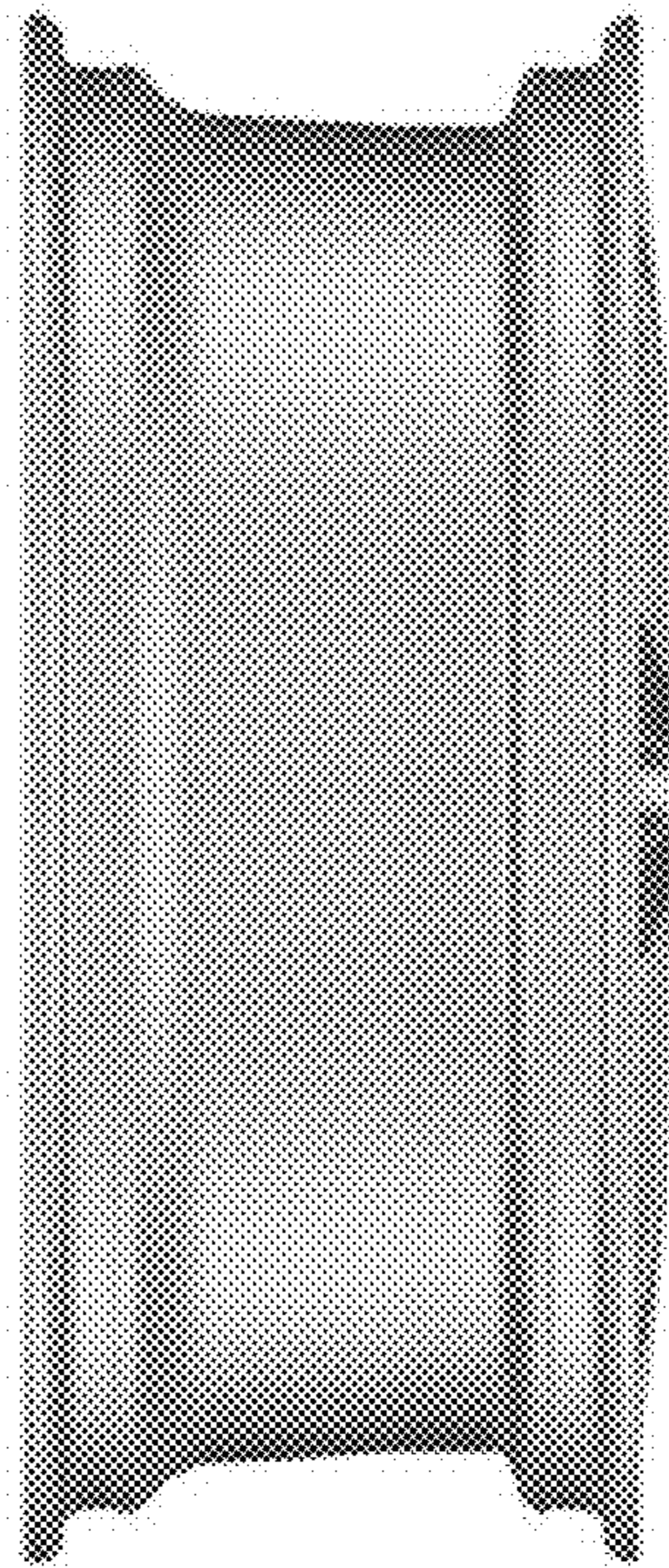


Fig. 6

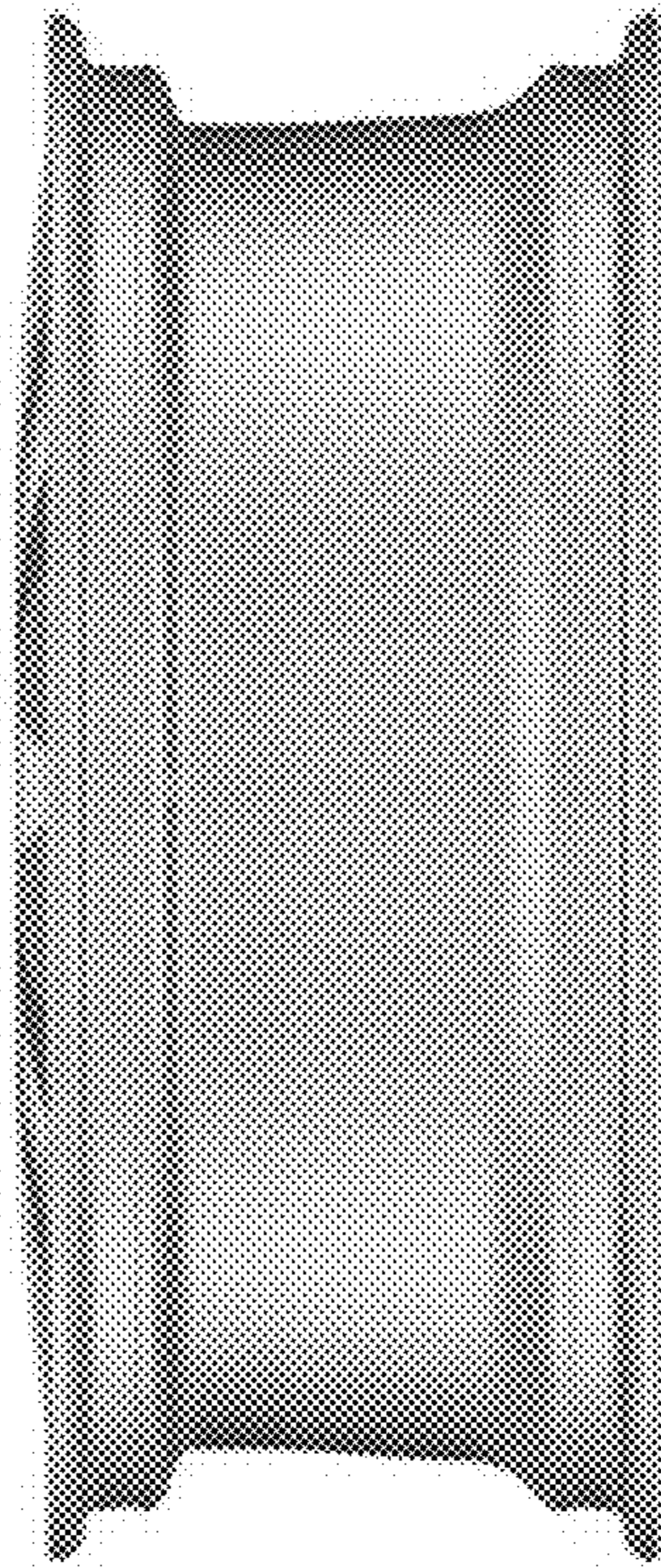


Fig. 7

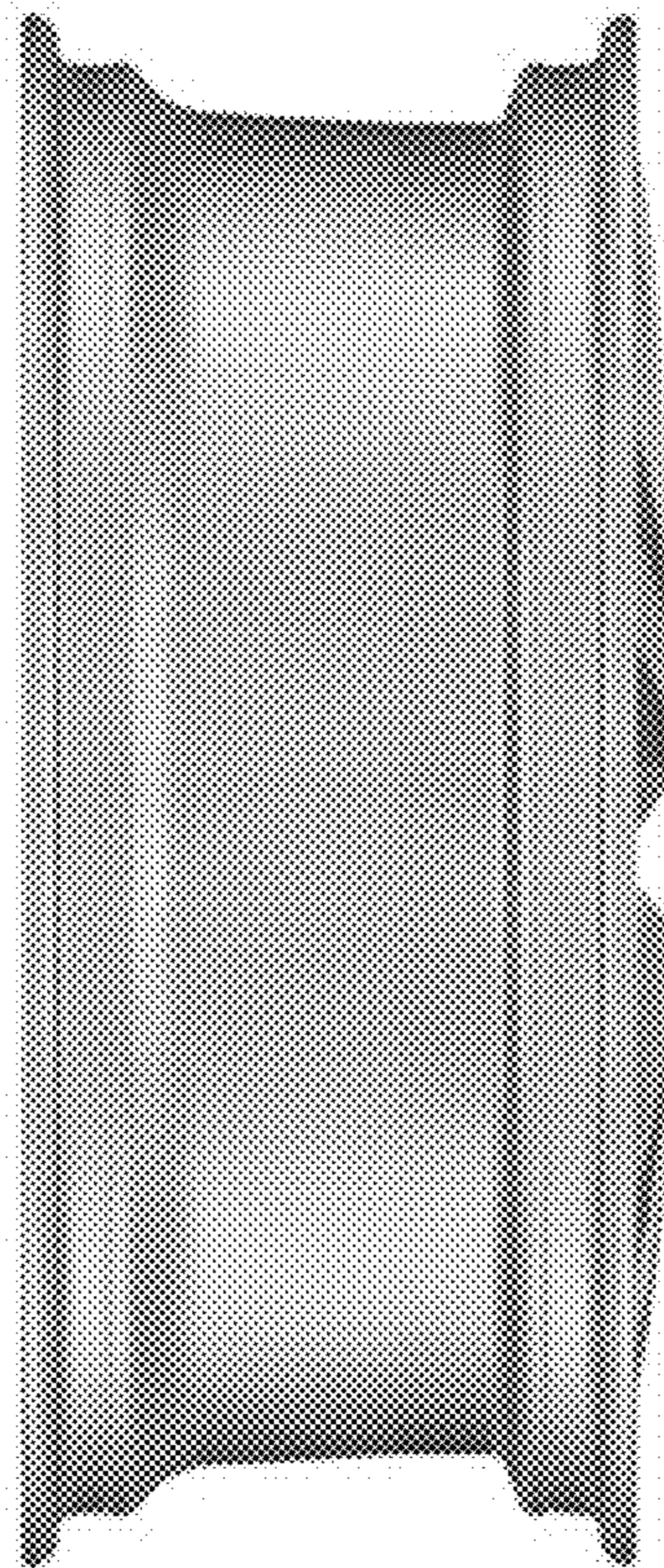




Fig. 8

