



US00D840895S

(12) **United States Design Patent**
Luo

(10) **Patent No.:** **US D840,895 S**

(45) **Date of Patent:** **** Feb. 19, 2019**

(54) **VEHICLE WHEEL**

(71) Applicant: **JAT Wheels, Inc.**, Alhambra, CA (US)

(72) Inventor: **Tom Luo**, Alhambra, CA (US)

(**) Term: **15 Years**

(21) Appl. No.: **29/611,601**

(22) Filed: **Jul. 24, 2017**

(51) **LOC (11) Cl.** **12-16**

(52) **U.S. Cl.**
USPC **D12/209**

(58) **Field of Classification Search**
USPC D12/204–213; D21/533, 561, 563
CPC B60B 7/00; B60B 7/02; B60B 7/04; B60B
7/06; B60B 3/02; B60B 3/04; B60B 3/06;
B60B 3/10; B60B 1/00; B60B 1/08;
B60B 1/10; B60B 1/12

See application file for complete search history.

(56) **References Cited**

U.S. PATENT DOCUMENTS

D405,409 S *	2/1999	Baumgartner	D12/211
D406,092 S *	2/1999	Baumgartner	D12/211
D541,202 S *	4/2007	Baumgartner	D12/211
D622,196 S *	8/2010	Gallert	D12/209
D622,199 S *	8/2010	Gallert	D12/211
D726,087 S *	4/2015	Breyton	D12/211
D735,630 S *	8/2015	Swanseger	D12/209
D756,282 S *	5/2016	Zhao	D12/209
D757,627 S *	5/2016	Chung	D12/211
D760,142 S *	6/2016	Chu	D12/211
D778,799 S *	2/2017	Gallert	D12/211

D784,238 S *	4/2017	Chu	D12/211
D810,647 S *	2/2018	Heizmann	D12/209
D811,978 S *	3/2018	Hodges	D12/211
D817,841 S *	5/2018	Chung	D12/209
D828,799 S *	9/2018	Zschocke	D12/209
D829,151 S *	9/2018	Chung	D12/209
D829,630 S *	10/2018	Chung	D12/209
D830,934 S *	10/2018	Zhao	D12/209
D831,555 S *	10/2018	Zhao	D12/209

* cited by examiner

Primary Examiner — Sheryl Lane

Assistant Examiner — Calvin E Vansant

(74) *Attorney, Agent, or Firm* — Tommy S F Wang;
Wang IP Law Group, P.C.

(57) **CLAIM**

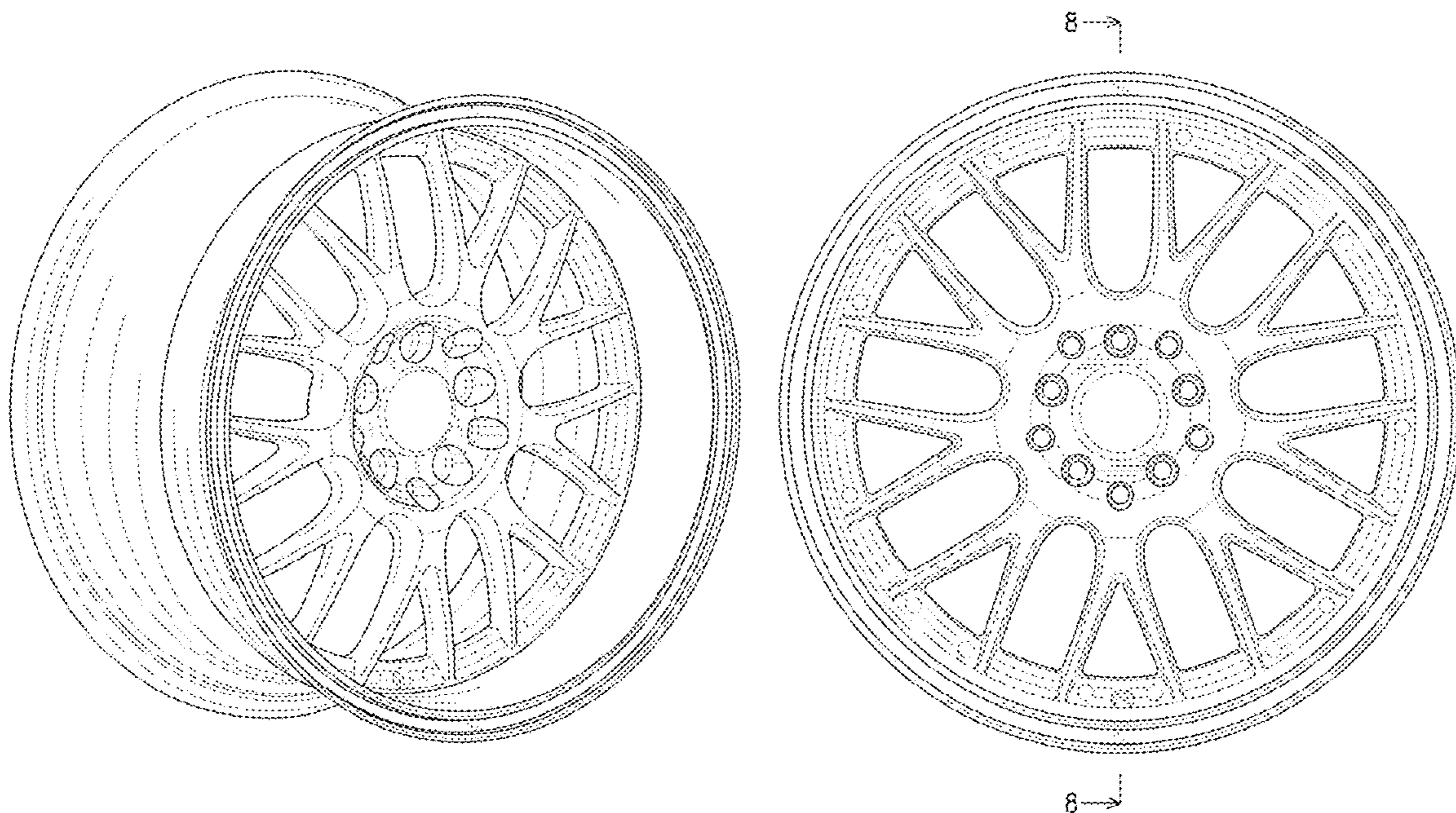
The ornamental design for a vehicle wheel, as shown and described.

DESCRIPTION

FIG. 1 is a perspective view of a vehicle wheel showing my new design;
FIG. 2 is a front view thereof;
FIG. 3 is a rear view thereof;
FIG. 4 is a left side view thereof;
FIG. 5 is a right side view thereof;
FIG. 6 is a top view thereof;
FIG. 7 is a bottom view thereof; and,
FIG. 8 is a cross-sectional view thereof taken along the line 8-8 of FIG. 2.

The broken line portions of the vehicle wheel in FIGS. 1-3 and 7-8 represent unclaimed portions of the claimed design and form no part thereof.

1 Claim, 7 Drawing Sheets



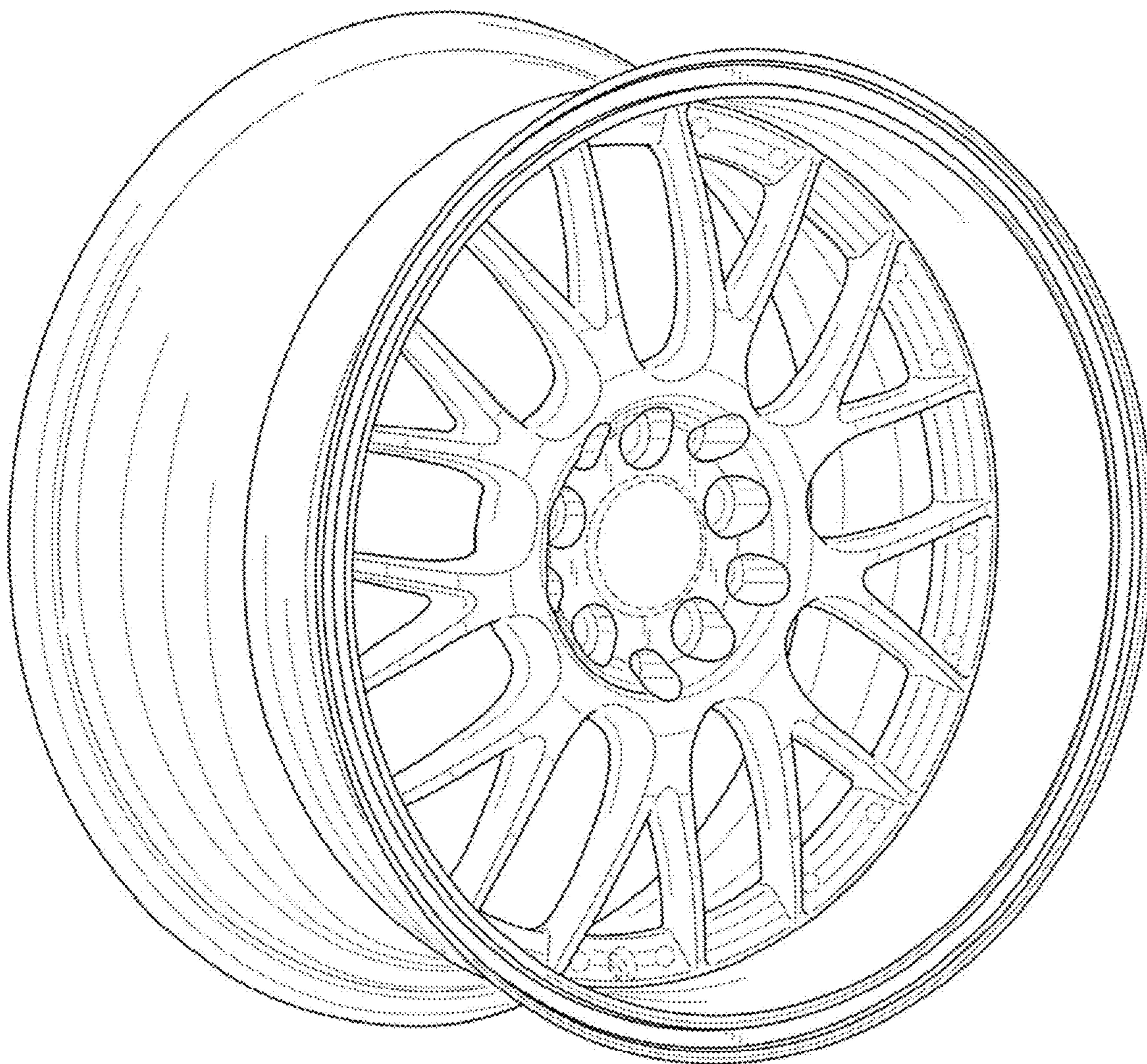


FIG. 1

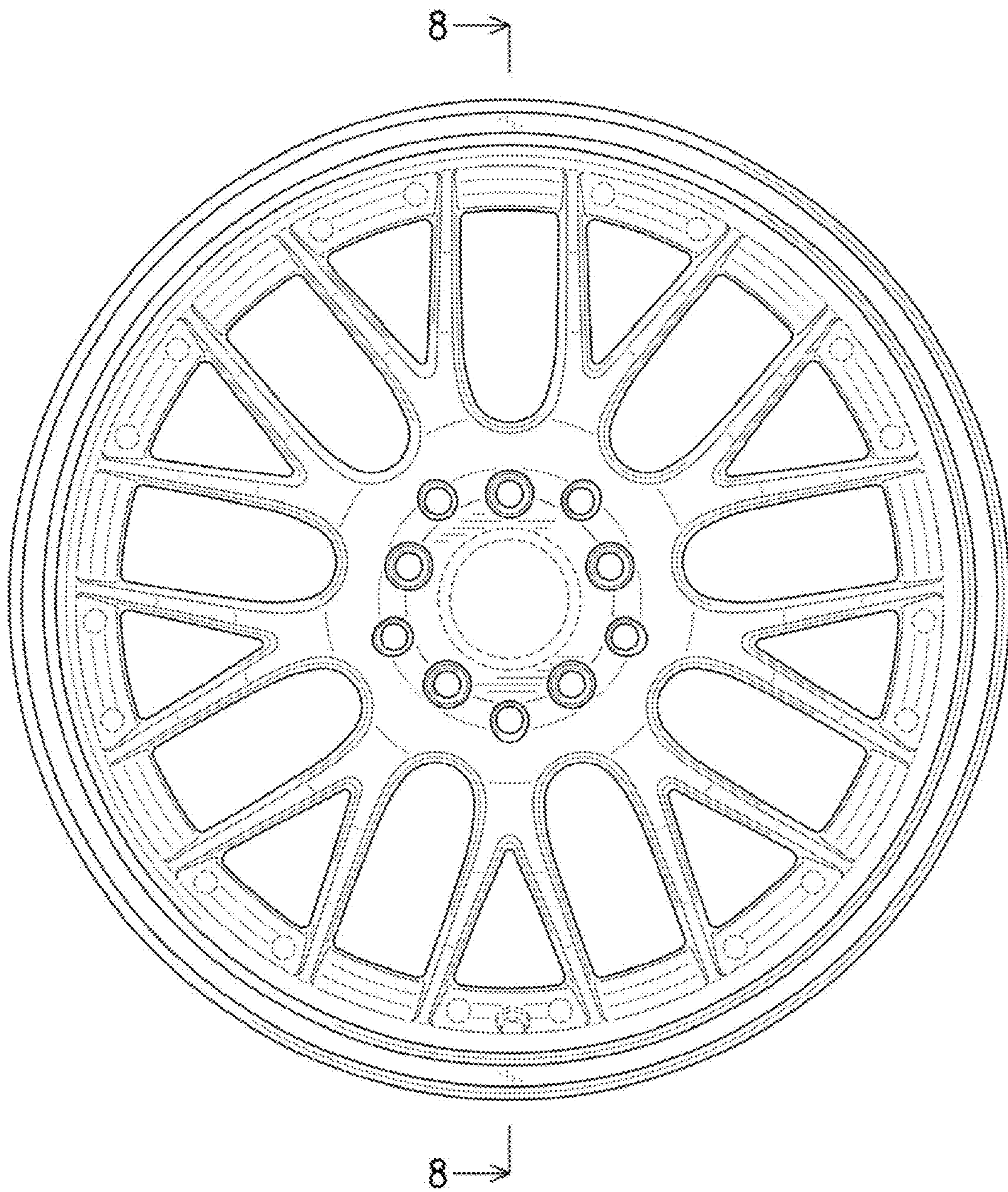


FIG. 2

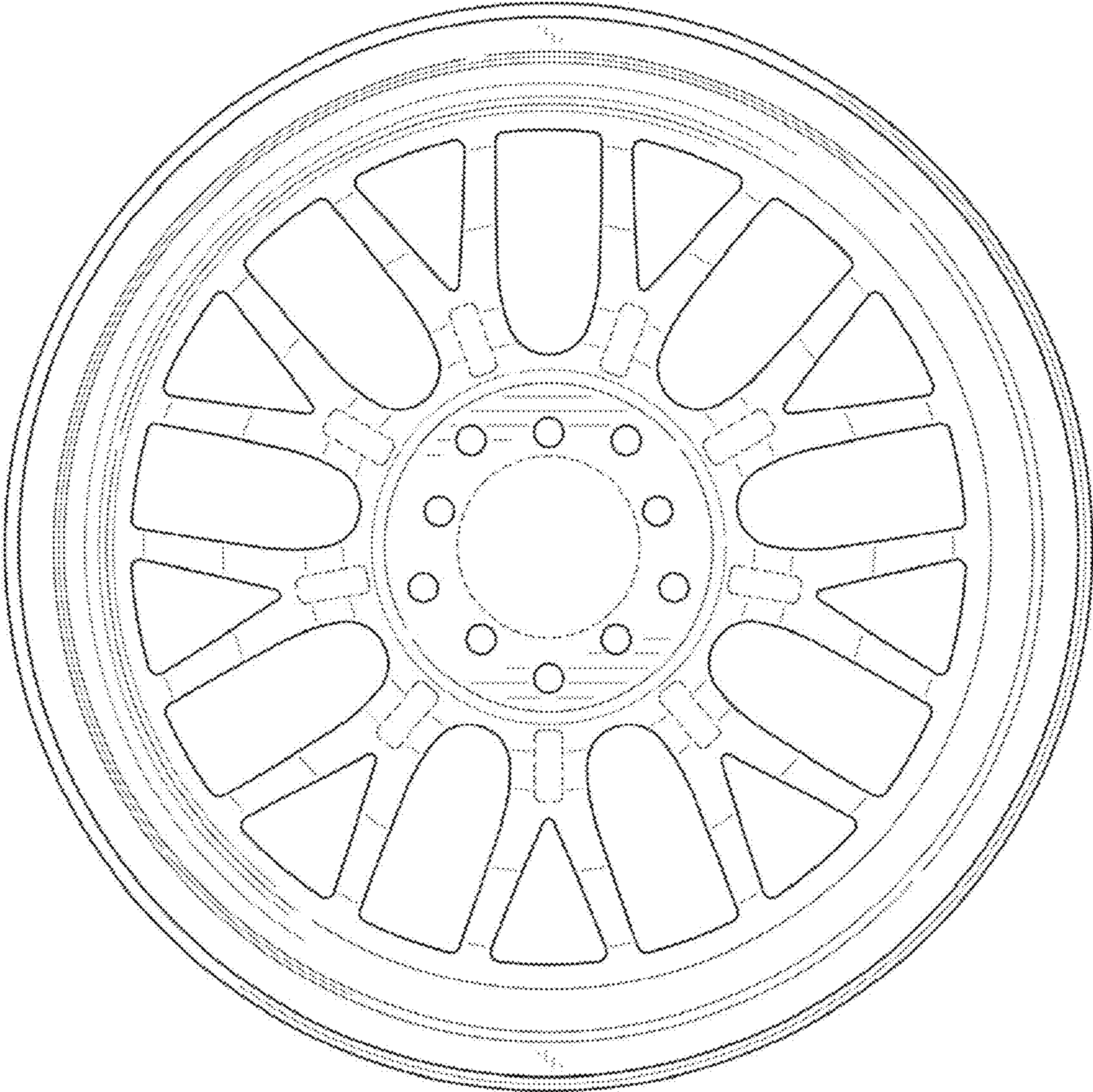


FIG. 3

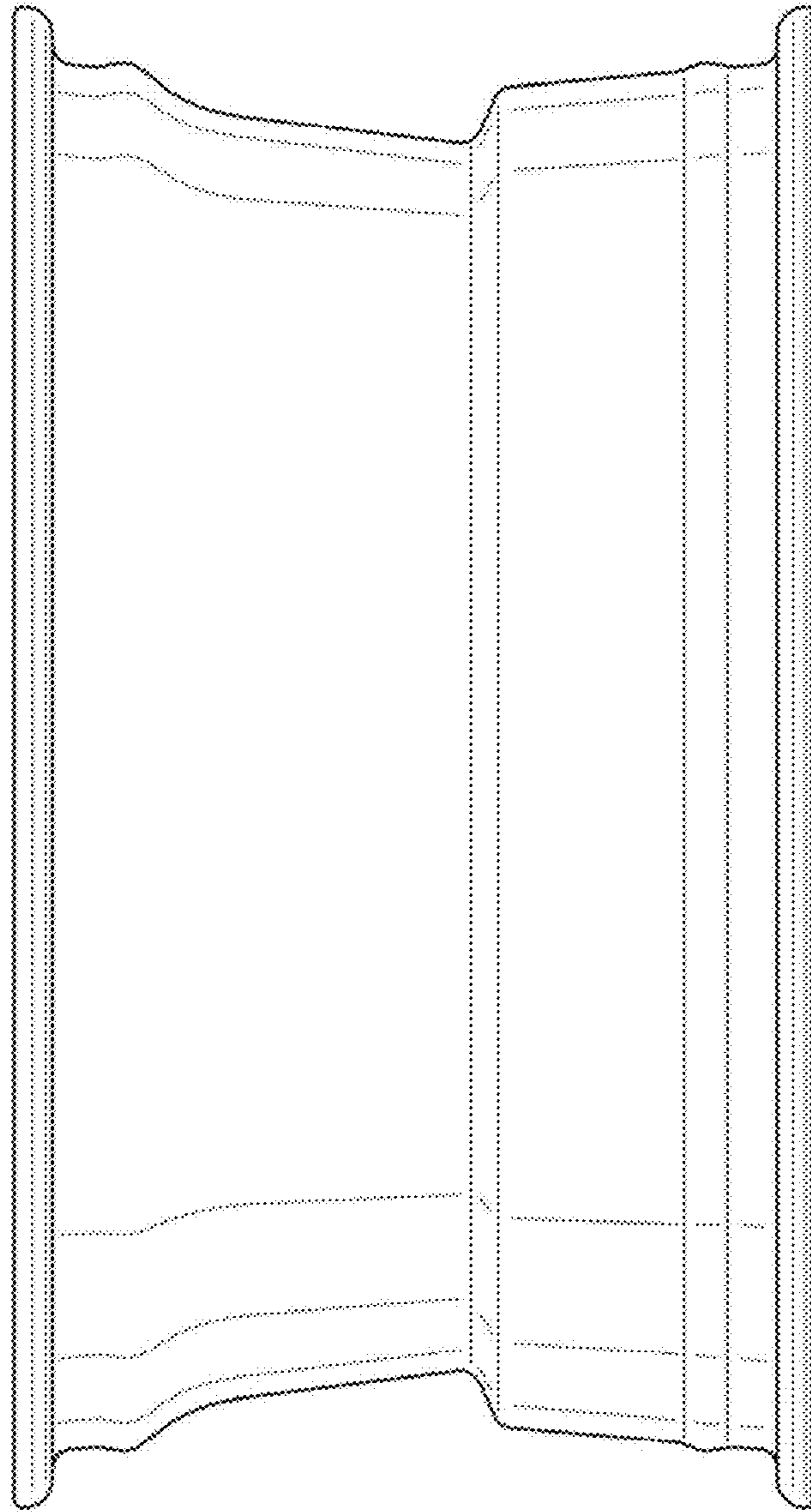


FIG. 4

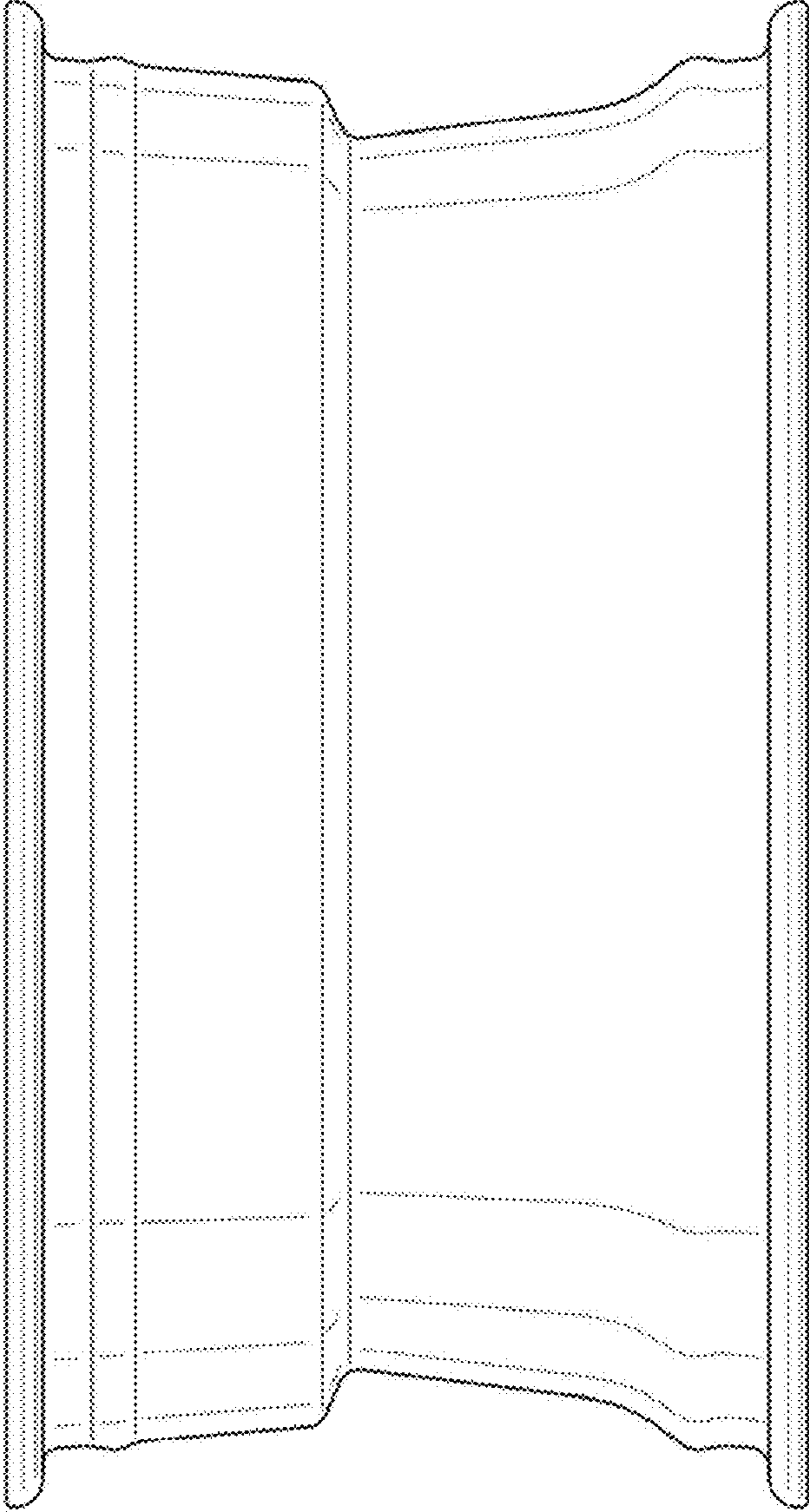


FIG. 5

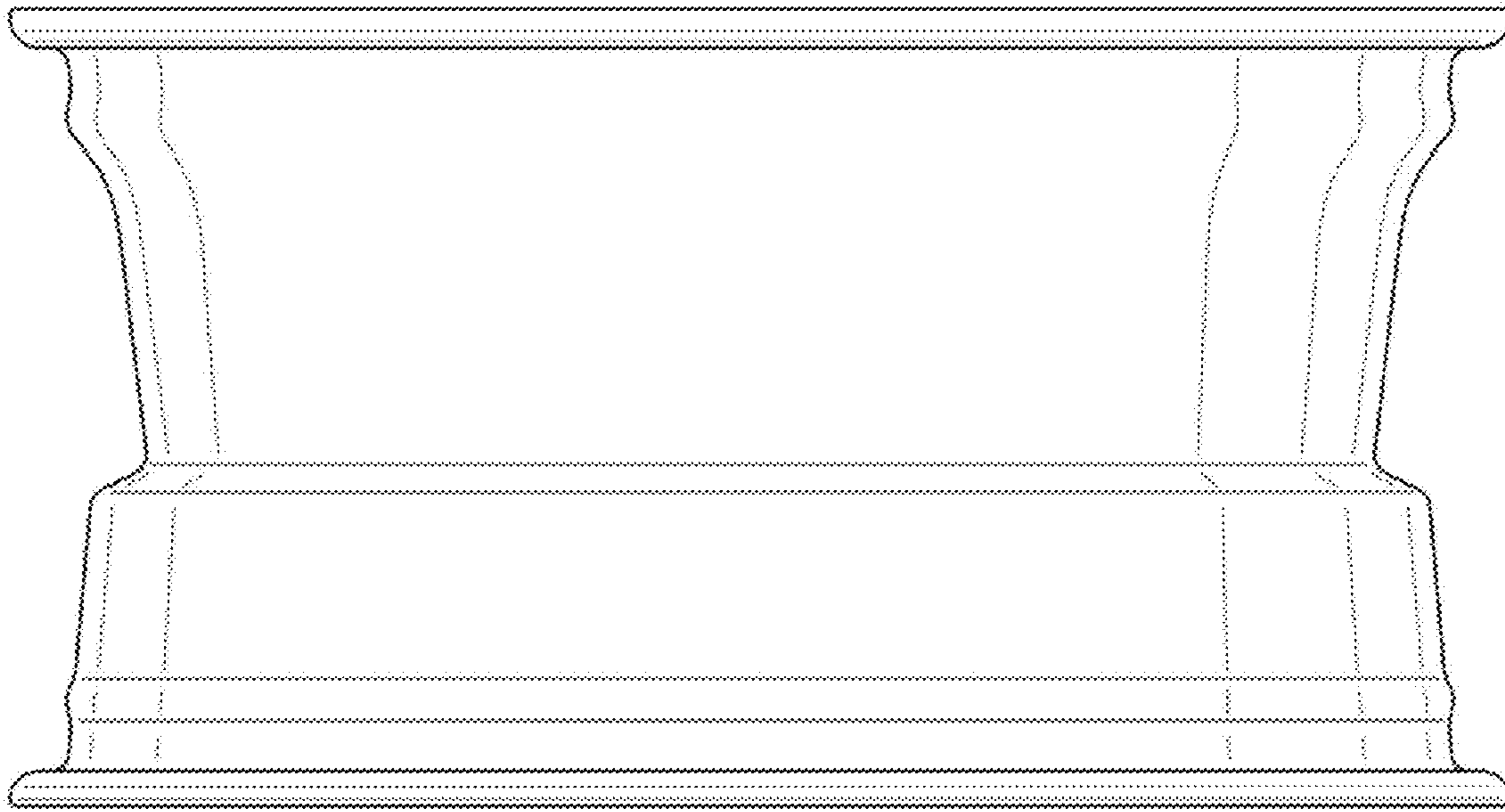


FIG. 6

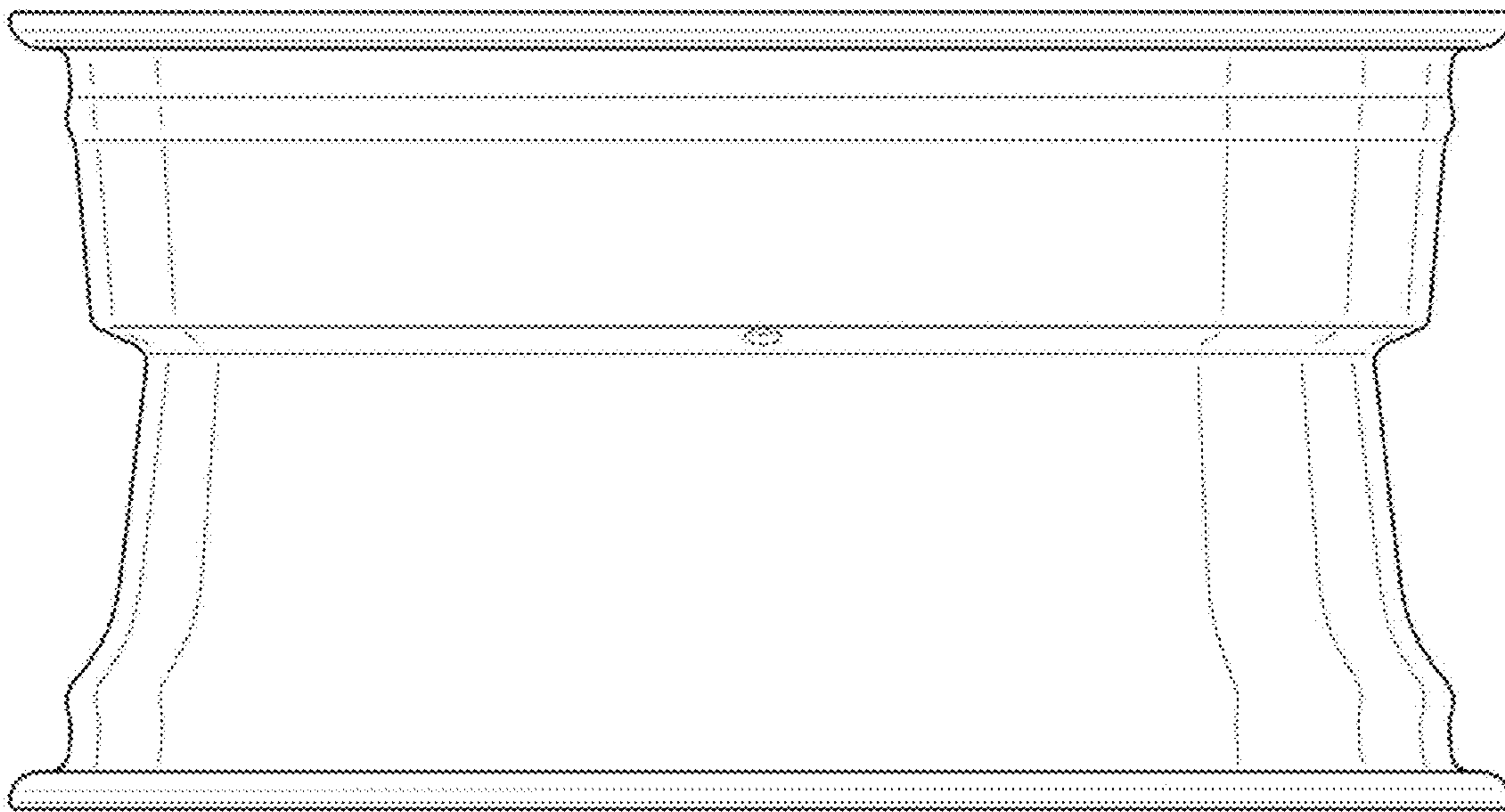


FIG. 7

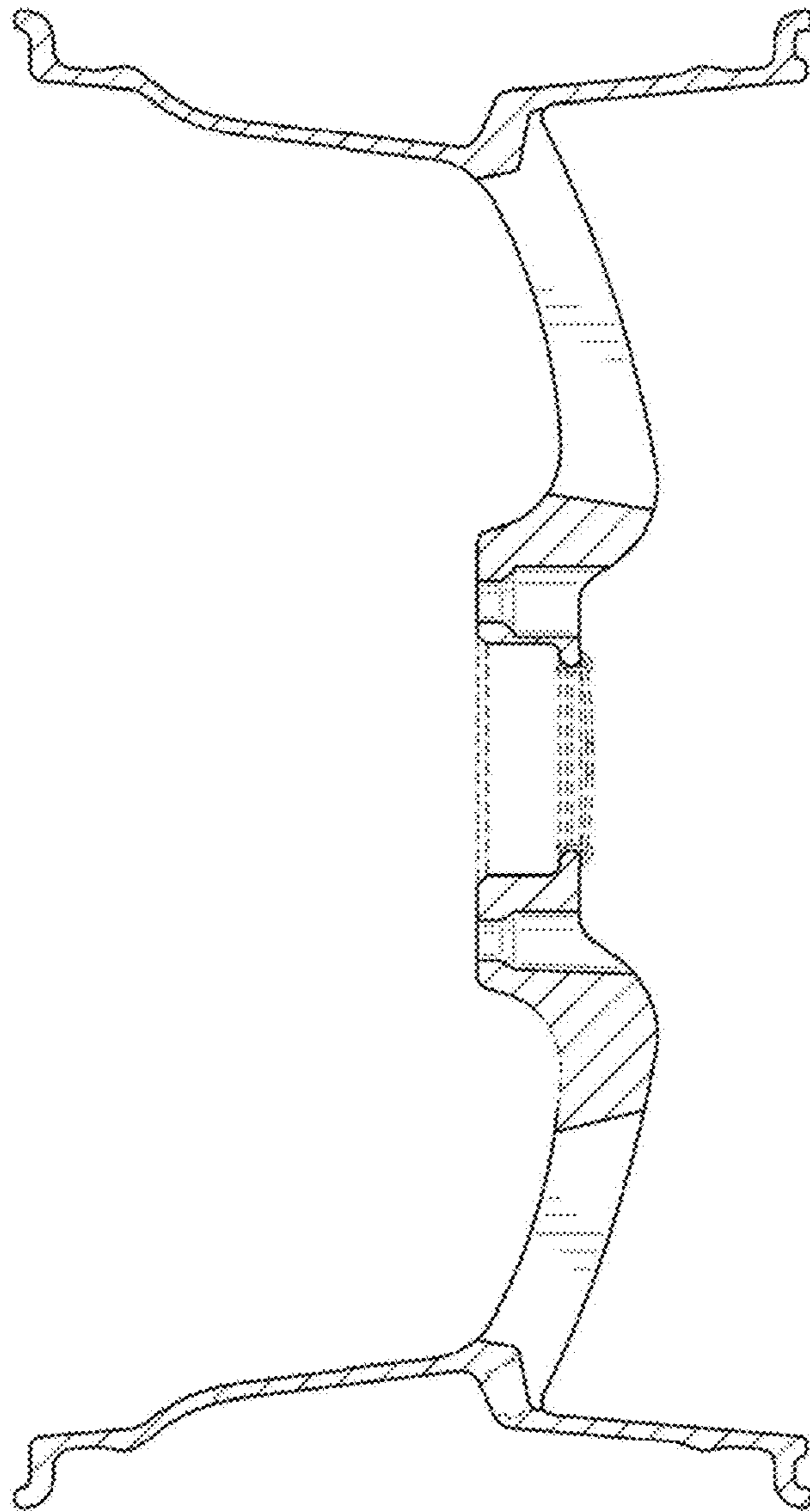


FIG. 8