



US00D840892S

(12) **United States Design Patent**
Chung

(10) **Patent No.:** **US D840,892 S**

(45) **Date of Patent:** **** Feb. 19, 2019**

- (54) **AUTOMOTIVE WHEEL**
- (71) Applicant: **Design Infini, Inc.**, Anaheim, CA (US)
- (72) Inventor: **Suny Chung**, Anaheim, CA (US)
- (73) Assignee: **Design Infini, Inc.**, Corona, CA (US)
- (**) Term: **15 Years**

- (21) Appl. No.: **29/581,162**
- (22) Filed: **Oct. 17, 2016**
- (51) **LOC (11) Cl.** **12-16**
- (52) **U.S. Cl.**
USPC **D12/209**
- (58) **Field of Classification Search**
USPC D12/204-213
CPC B60B 7/00; B60B 7/02; B60B 7/04; B60B 7/01; B60B 7/06; B60B 3/02; B60B 3/04; B60B 3/06; B60B 3/10; B60B 1/00; B60B 1/08; B60B 1/10; B60B 1/12
See application file for complete search history.

(56) **References Cited**

U.S. PATENT DOCUMENTS

- D480,036 S * 9/2003 Laengerer D12/211
- D542,209 S * 5/2007 Pfeiffer D12/211

- D654,007 S * 2/2012 Nissl D12/211
- D704,617 S * 5/2014 Chung D12/211
- D707,167 S * 6/2014 Chung D12/209
- D709,020 S * 7/2014 Chung D12/211
- D713,316 S * 9/2014 Song D12/211
- D726,630 S * 4/2015 Kong D12/211
- D731,946 S * 6/2015 Chung D12/211
- D769,785 S * 10/2016 Wells D12/211
- D788,677 S * 6/2017 Lickliter D12/209

* cited by examiner

Primary Examiner — Stacia A Cadmus

(74) *Attorney, Agent, or Firm* — Knobbe, Martens, Olson & Bear LLP

(57) **CLAIM**

The ornamental design for an automotive wheel, as shown and described.

DESCRIPTION

FIG. 1 is a perspective view of a first embodiment of an automotive wheel, showing my new design; FIG. 2 is another perspective view thereof; and FIG. 3 is a front view thereof. FIG. 4 is a perspective view of a second embodiment of an automotive wheel, showing my new design; FIG. 5 is another perspective view thereof; and FIG. 6 is a front view thereof; and, FIG. 7 is a side view of the automotive wheel in FIGS. 1-6.

1 Claim, 7 Drawing Sheets

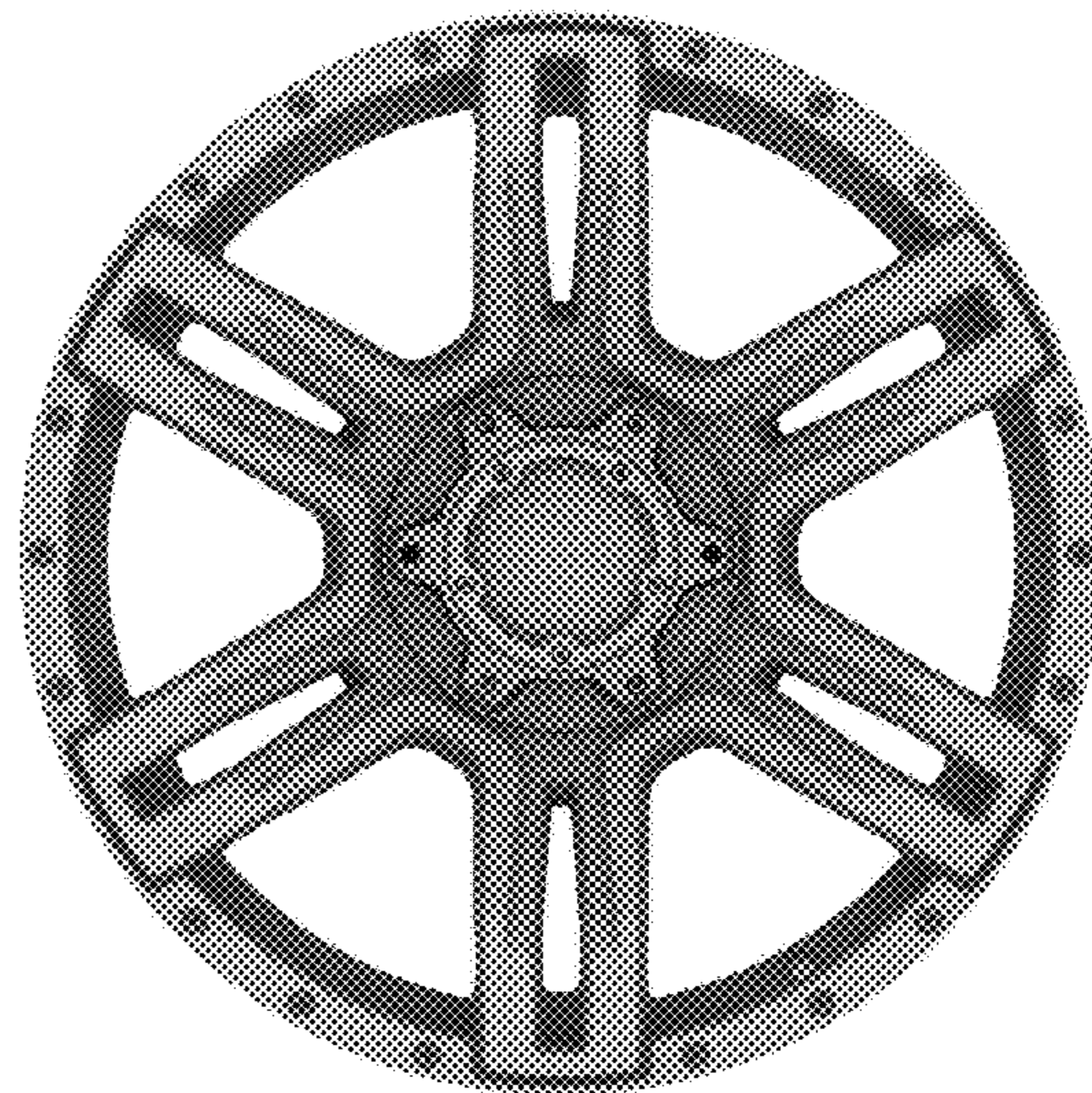
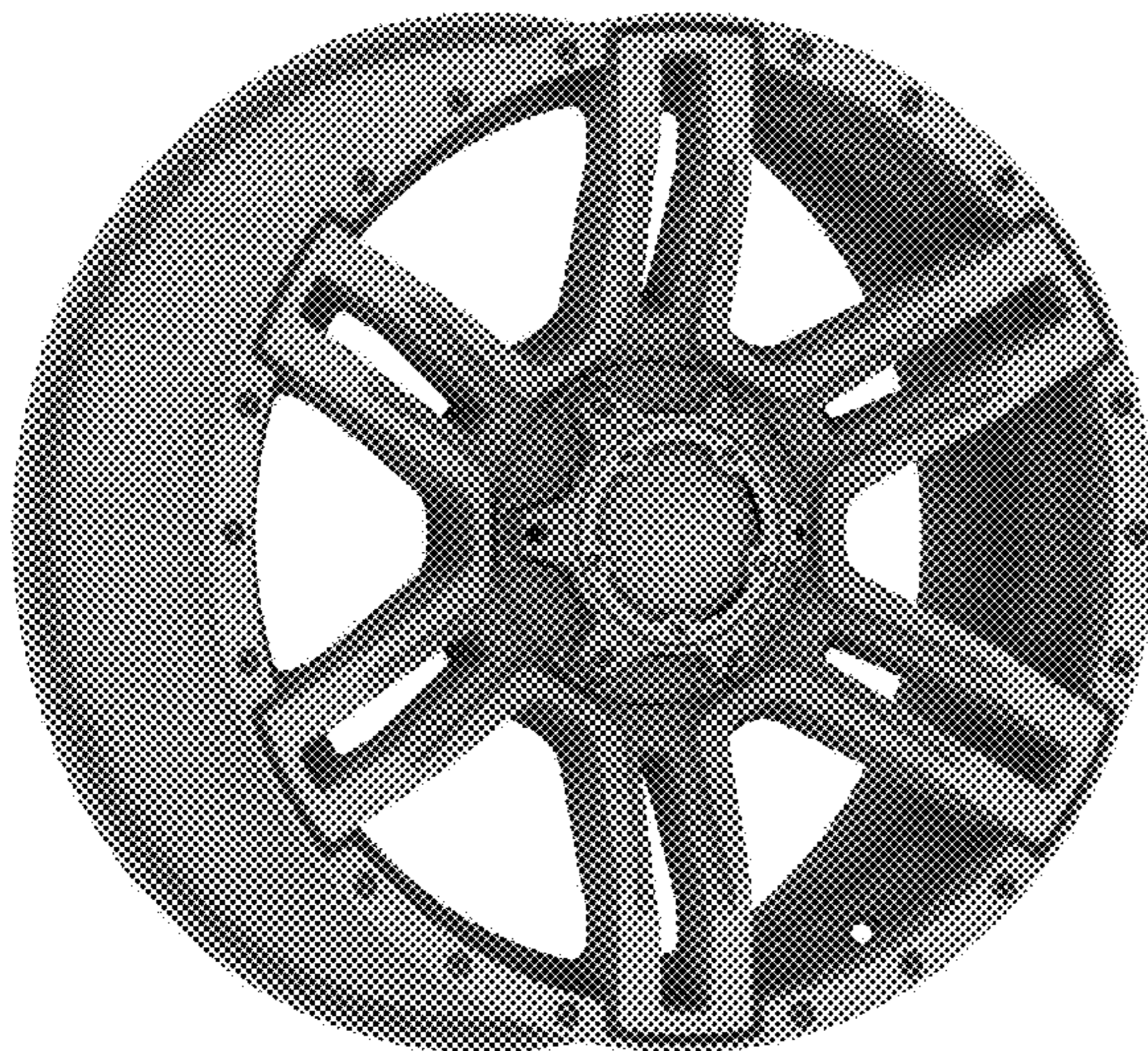




FIGURE 1

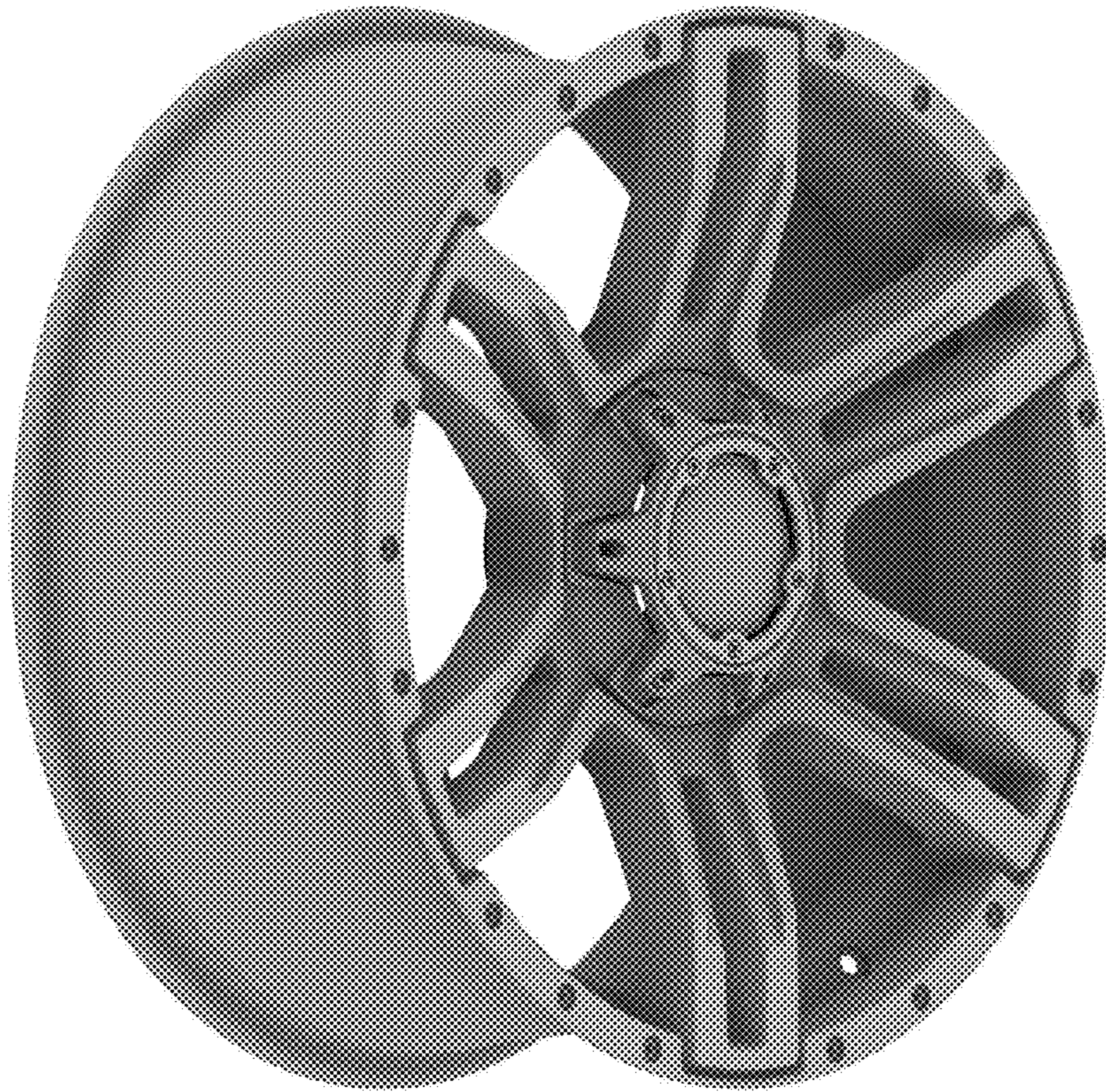


FIGURE 2

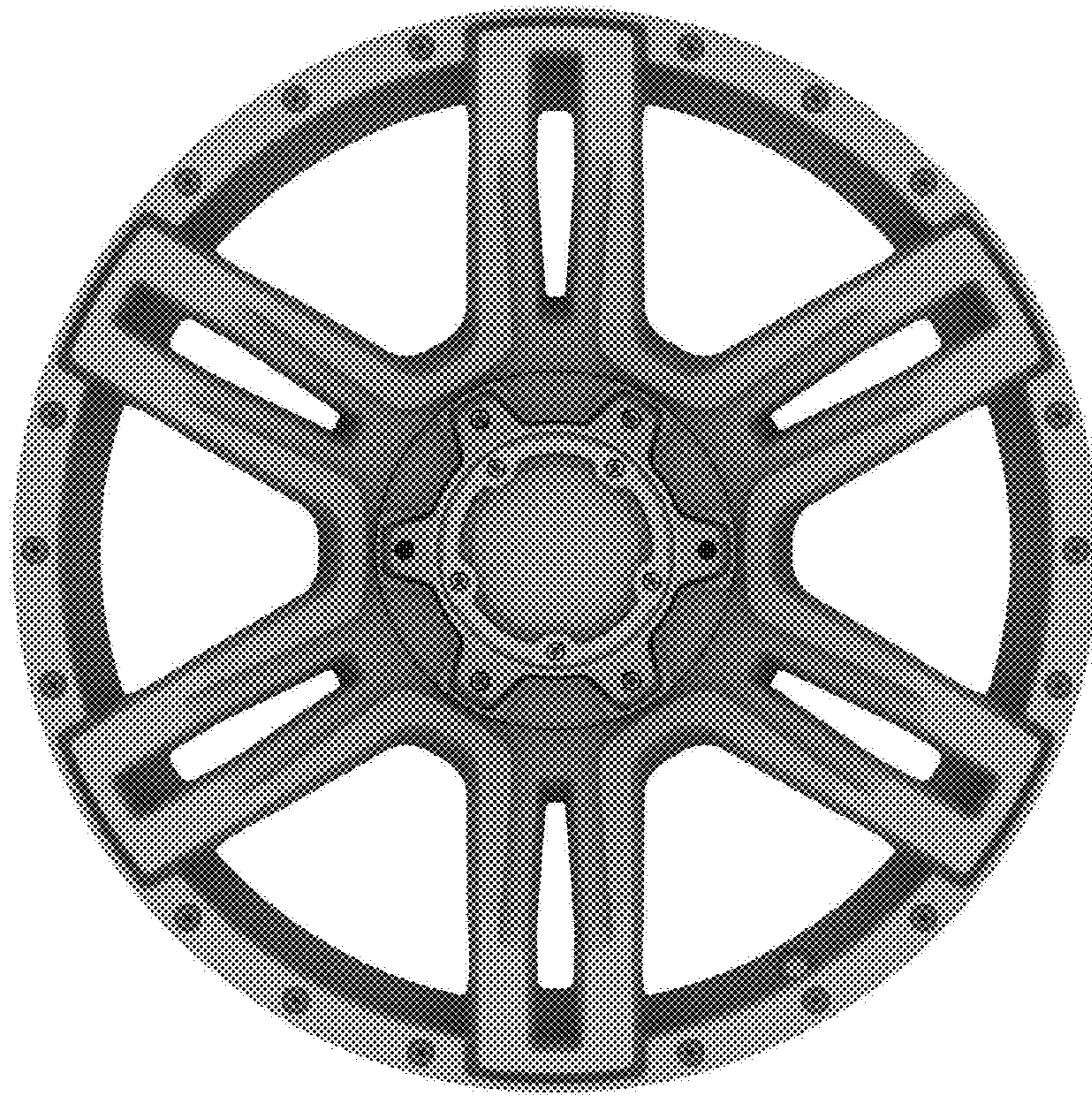


FIGURE 3

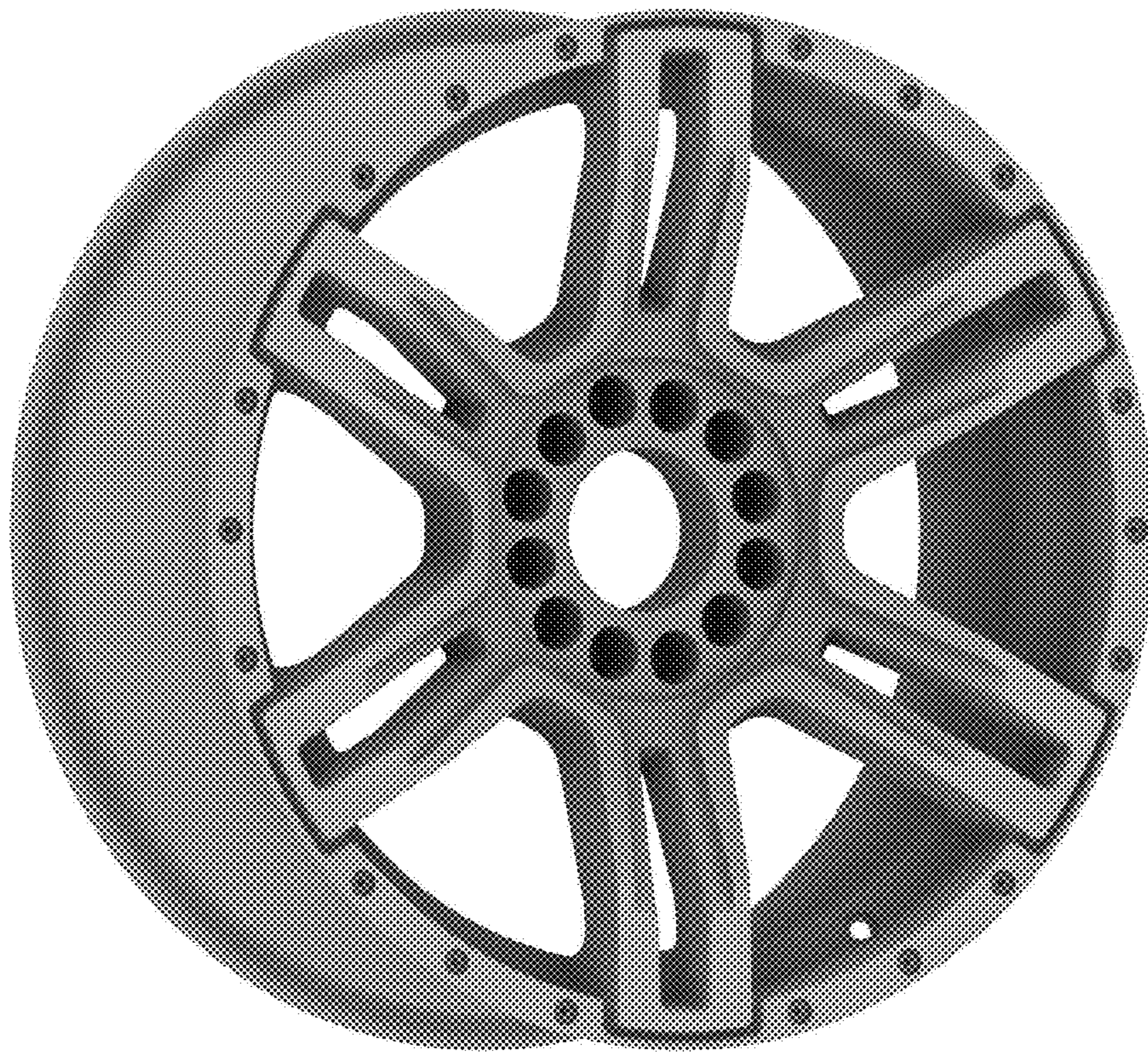


FIGURE 4

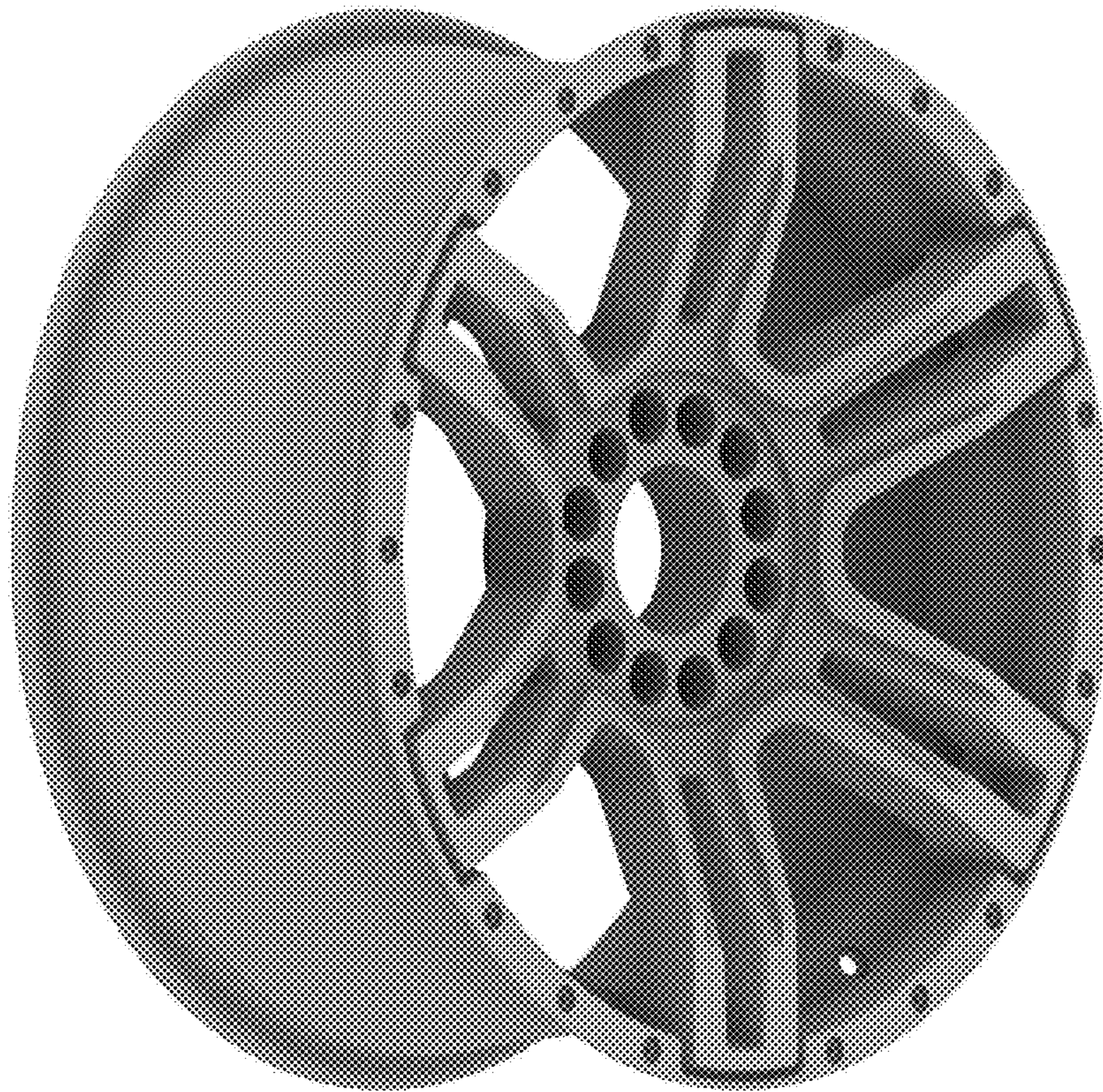


FIGURE 5

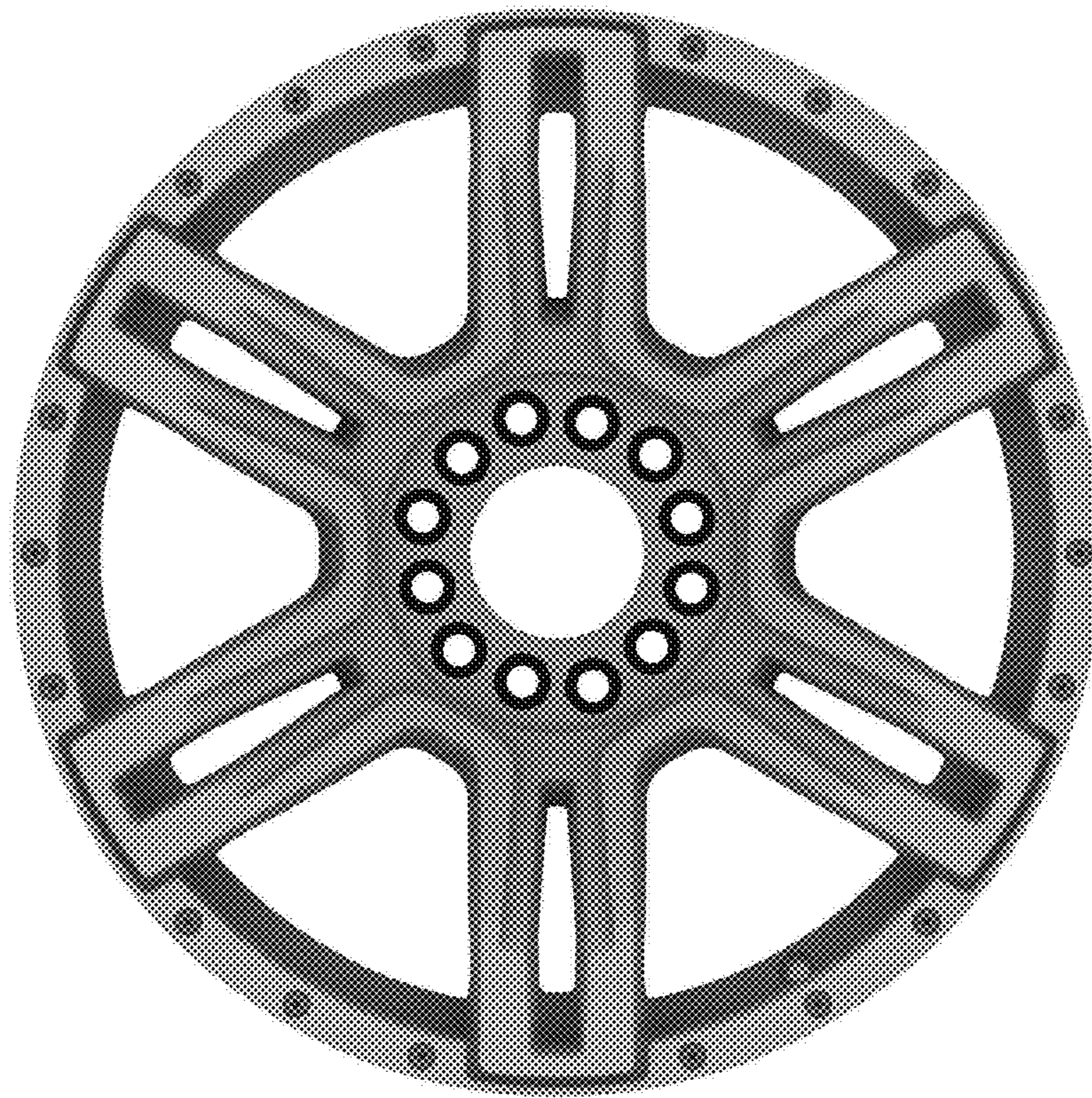


FIGURE 6

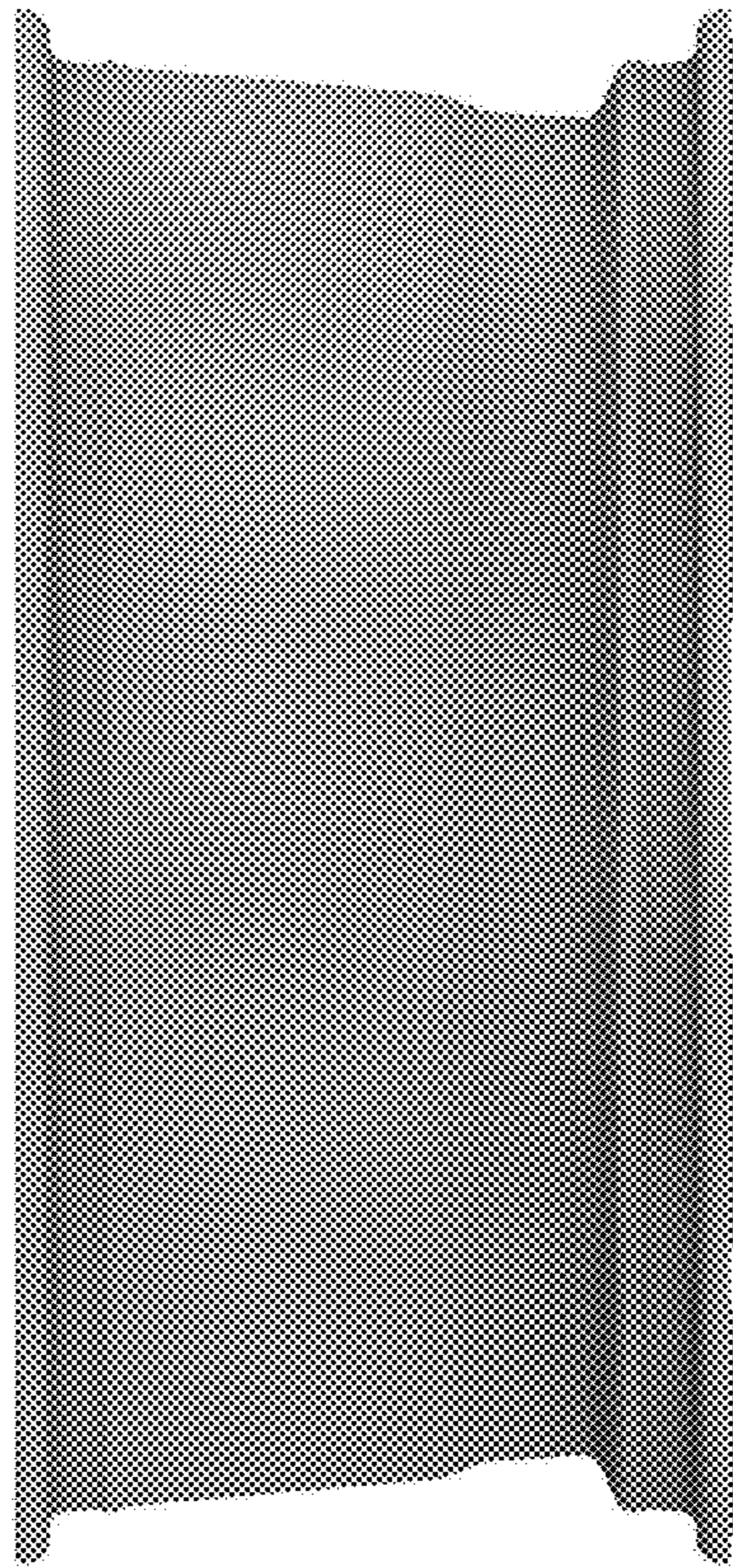


FIGURE 7