



US00D840886S

(12) **United States Design Patent**
Schittko

(10) **Patent No.:** **US D840,886 S**

(45) **Date of Patent:** **** Feb. 19, 2019**

(54) **FENDER WITH AIR INTAKE GRILLE AND ENGINE HOOD FOR VEHICLES**

(71) Applicant: **ORZ GMBH & CO KG**,
Unterschleißheim (DE)

(72) Inventor: **Patrick Schittko**, Unterschleissheim
(DE)

(73) Assignee: **ORZ GMBH & CO KG**,
Unterschleissheim (DE)

(**) Term: **15 Years**

(21) Appl. No.: **35/502,799**

(22) Filed: **Jan. 4, 2017**

(80) **Hague Agreement Data**

Int. Filing Date: **Jan. 4, 2017**
Int. Reg. No.: **DM/095478**
Int. Reg. Date: **Jan. 4, 2017**
Int. Reg. Pub. Date: **Apr. 14, 2017**

(51) **LOC (11) Cl.** **12-16**

(52) **U.S. Cl.**
USPC **D12/188**

(58) **Field of Classification Search**
USPC D12/82, 86, 88, 90-92, 93, 163, 164,
D12/167, 173, 181, 184, 185
CPC B62D 35/00; B62D 25/00; B62D 25/06;
B62D 33/00
See application file for complete search history.

(56) **References Cited**

U.S. PATENT DOCUMENTS

D645,801 S * 9/2011 Beigel D12/173
D652,358 S * 1/2012 Hodges D12/181
D758,931 S * 6/2016 Jelec D12/173
D762,148 S * 7/2016 Platto D12/173

D763,754 S * 8/2016 Sanders D12/184
D772,768 S * 11/2016 Chiang D12/173
D784,219 S * 4/2017 Jung D12/173
D789,260 S * 6/2017 Smith D12/173
D790,415 S * 6/2017 Woolley D12/173
D790,418 S * 6/2017 McMath D12/181
D792,822 S * 7/2017 Platto D12/184
D795,765 S * 8/2017 Rolfs D12/173
D800,226 S * 10/2017 Zeng D21/433
D804,372 S * 12/2017 Kozub D12/173
D805,013 S * 12/2017 Whitla D12/181
D805,014 S * 12/2017 Zipfel D12/184
D807,262 S * 1/2018 Piscitelli D12/184
D808,311 S * 1/2018 Piscitelli D12/173

* cited by examiner

Primary Examiner — Michael A. Pratt

(74) *Attorney, Agent, or Firm* — Schlee IP International,
P.C.; Alexander R. Schlee

(57) **CLAIM**

The ornamental design for an engine hood with fender and air intake grille for vehicles, as shown and described.

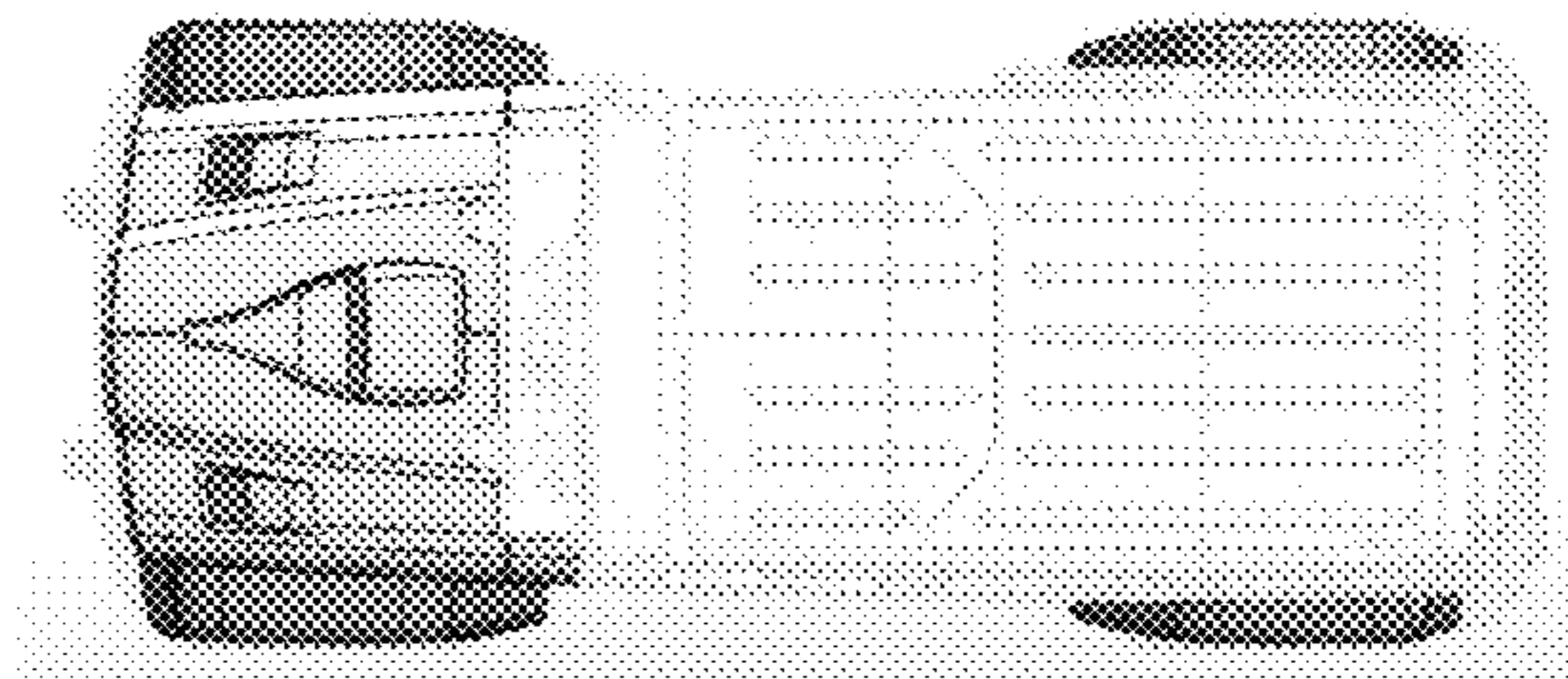
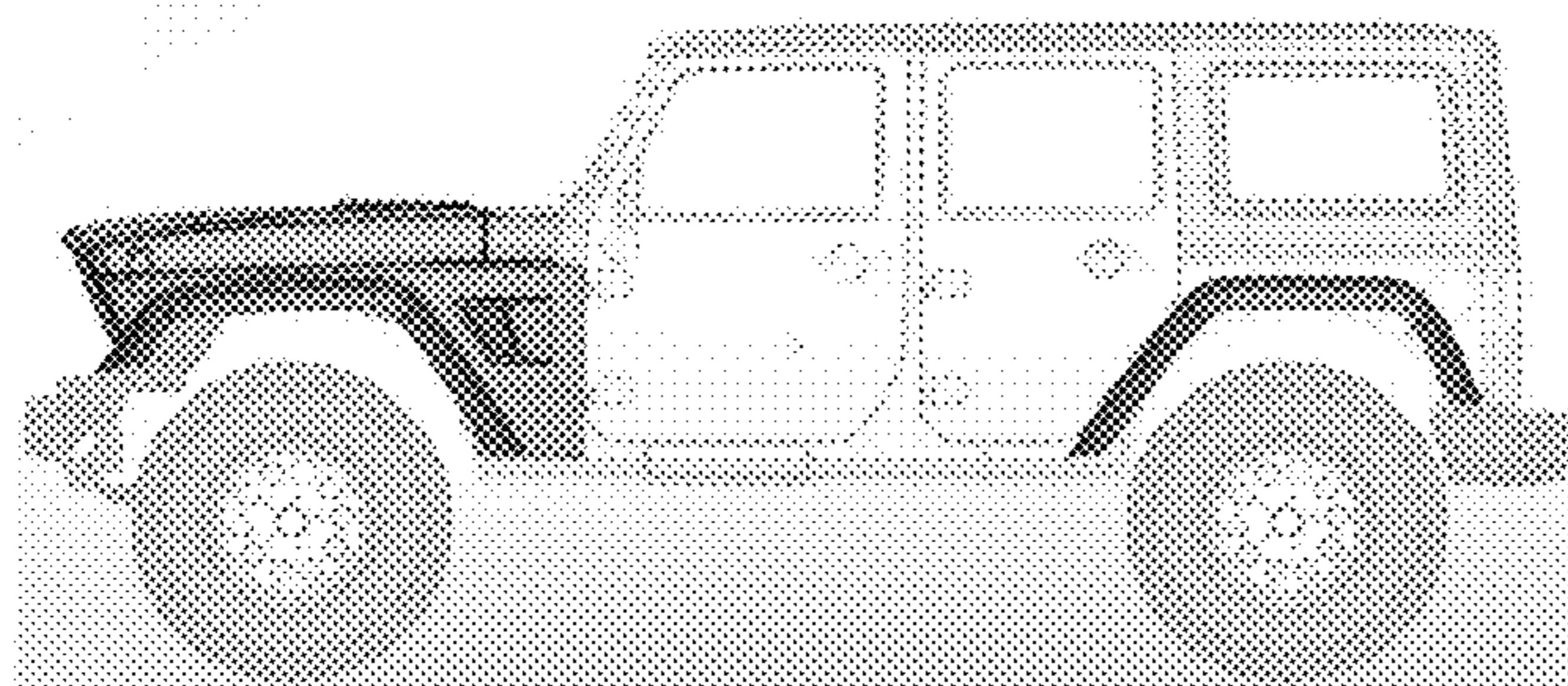
DESCRIPTION

The patent or application file contains at least one drawing executed in color. Copies of this patent or patent application publication with color drawing(s) will be provided by the Office upon request and payment of the necessary fee.

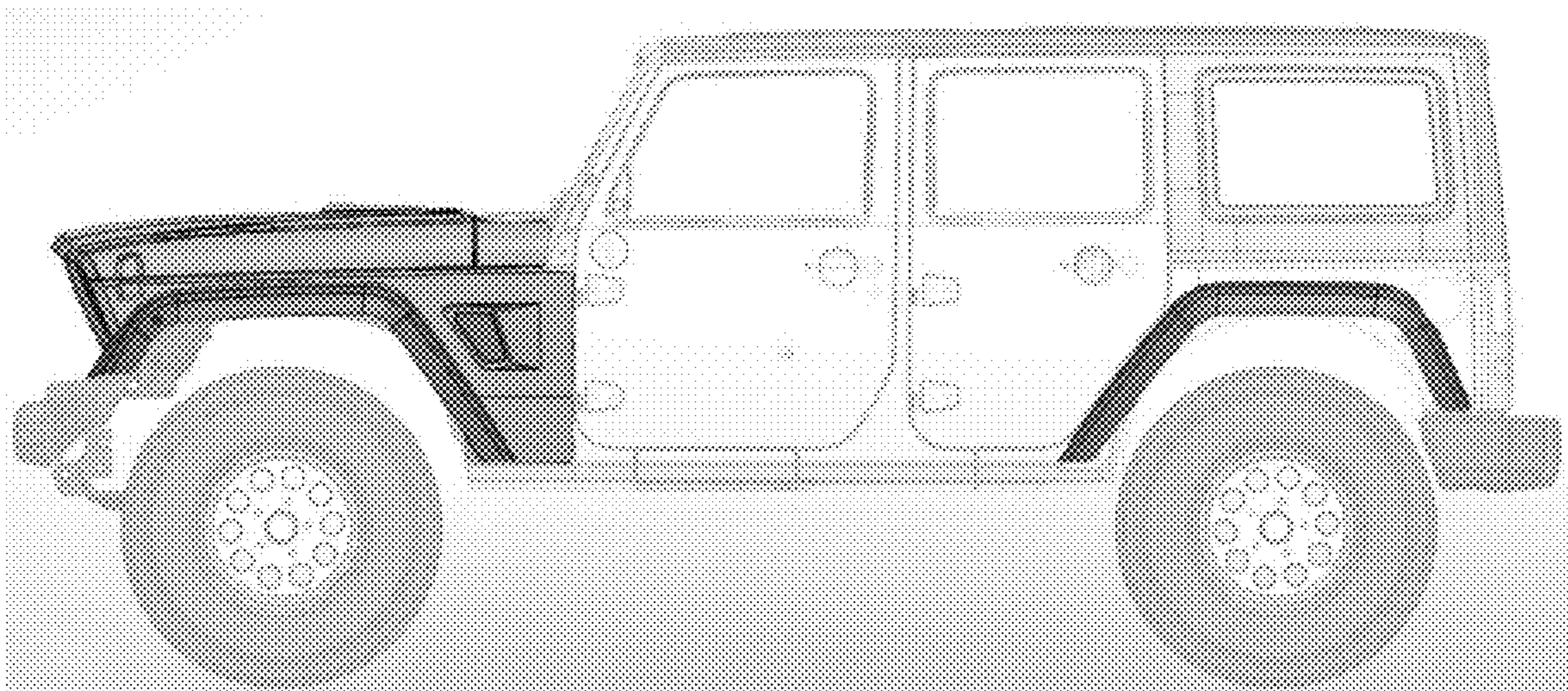
2. Engine hood with fender and air intake grille for vehicles
Figure 2.1 shows a side view of an embodiment of the engine hood with a fender and air intake grille for vehicles. Figure 2.2 shows a top view of the embodiment of the engine hood with a fender and air intake grille for vehicles shown in Figure 2.1.

The light grey and blue portions in the design as shown in Figures 2.1 and 2.2 are not claimed, only the dark and medium grey portions shown in Figures 2.1 and 2.2.

1 Claim, 2 Drawing Sheets
(2 of 2 Drawing Sheet(s) Filed in Color)



2.1



2.2

