

US00D840878S

(12) **United States Design Patent**  
**Lan et al.**

(10) **Patent No.:** **US D840,878 S**

(45) **Date of Patent:** **\*\* Feb. 19, 2019**

(54) **WHEELCHAIR**

*Primary Examiner* — Charles D Hanson

(74) *Attorney, Agent, or Firm* — LeClairRyan

(71) Applicant: **WELL HOME HEALTH PRODUCTS CO.**, Taichung (TW)

(57) **CLAIM**

(72) Inventors: **Chao-Wen Lan**, Taichung (TW);  
**Chien-Wei Chan**, Taichung (TW)

The ornamental design for a wheelchair, as shown and described.

(73) Assignee: **WELL HOME HEALTH PRODUCTS CO.**, Taichung (TW)

**DESCRIPTION**

(\*\*) Term: **15 Years**

FIG. 1 is a perspective view of a wheelchair showing our new design;

(21) Appl. No.: **29/616,407**

FIG. 2 is a front elevational view thereof;

(22) Filed: **Sep. 6, 2017**

FIG. 3 is a rear elevational view thereof;

(51) **LOC (11) Cl.** ..... **12-12**

FIG. 4 is a left side elevational view thereof;

(52) **U.S. Cl.**

FIG. 5 is a right side elevational view thereof;

USPC ..... **D12/133**

FIG. 6 is a top plan view thereof;

(58) **Field of Classification Search**

FIG. 7 is a bottom plan view thereof;

USPC ..... D12/128–133

FIG. 8 is an enlarged fragmentary perspective view showing a control device of the wheelchair;

CPC ..... A61G 5/00–5/14

FIG. 9 is a front elevational view showing the control device;

See application file for complete search history.

FIG. 10 is an enlarged fragmentary perspective view showing a pedal device of the wheelchair;

(56) **References Cited**

FIG. 11 is another enlarged fragmentary perspective view showing the pedal device;

**U.S. PATENT DOCUMENTS**

D412,869 S \* 8/1999 Bissell ..... D12/131

FIG. 12 is a fragmentary front elevational view showing the pedal device;

7,367,432 B2 \* 5/2008 Chen ..... B62B 7/08

FIG. 13 is a fragmentary rear elevational view showing the pedal device;

188/19

D589,411 S \* 3/2009 Brown ..... D12/133

FIG. 14 is a fragmentary right side elevational view showing the pedal device; and,

D592,373 S \* 5/2009 Evans ..... D12/133

FIG. 15 is a fragmentary top plan view showing the pedal device.

D633,830 S \* 3/2011 Derks ..... D12/131

The broken line showing forms no part of the claimed design.

D731,366 S \* 6/2015 Gingras ..... D12/133

D770,334 S \* 11/2016 Dahlin ..... D12/133

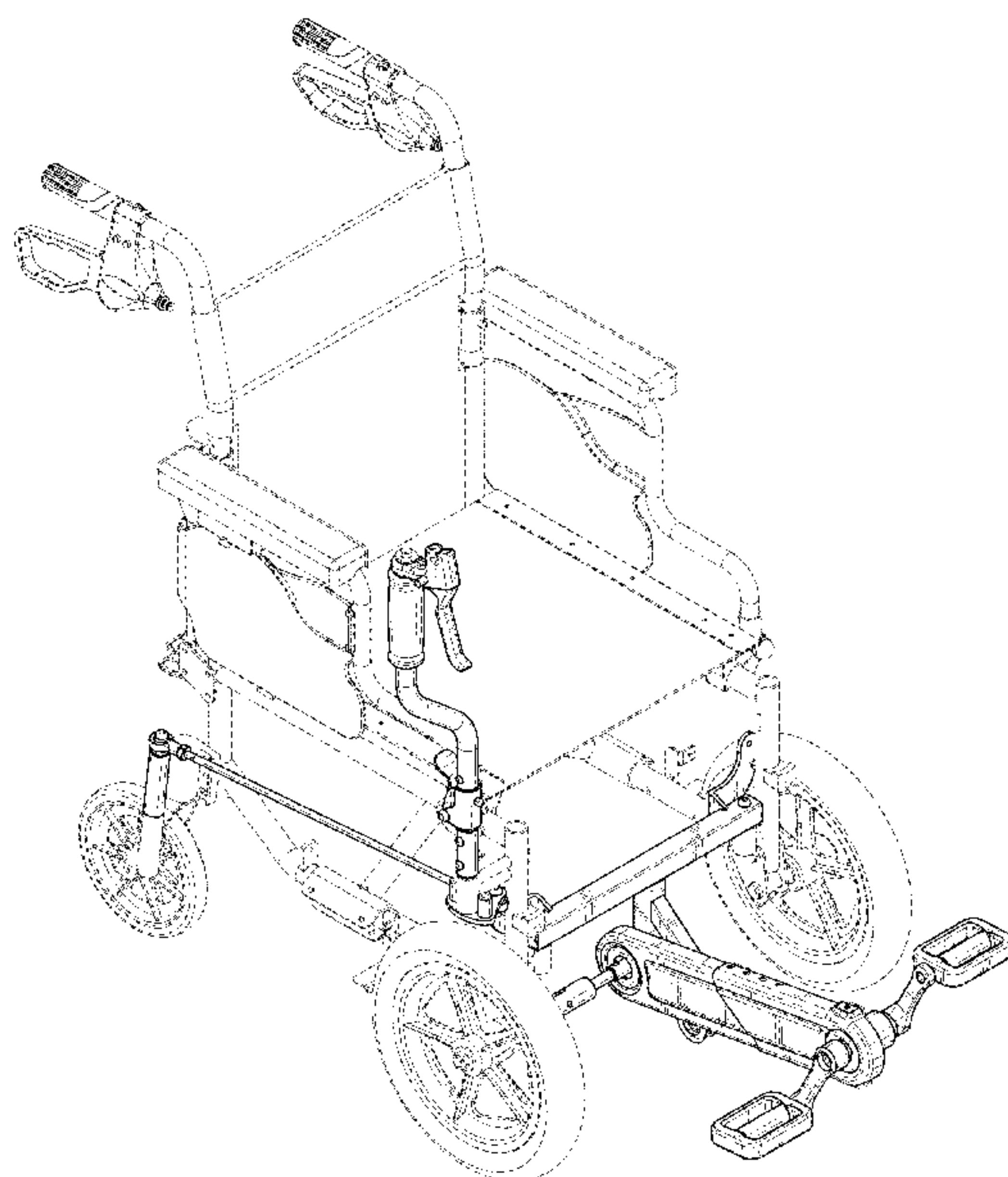
D780,642 S \* 3/2017 Karshmer ..... D12/133

D789,256 S \* 6/2017 Kutsch ..... D12/131

D821,928 S \* 7/2018 Bardina ..... D12/133

\* cited by examiner

**1 Claim, 15 Drawing Sheets**



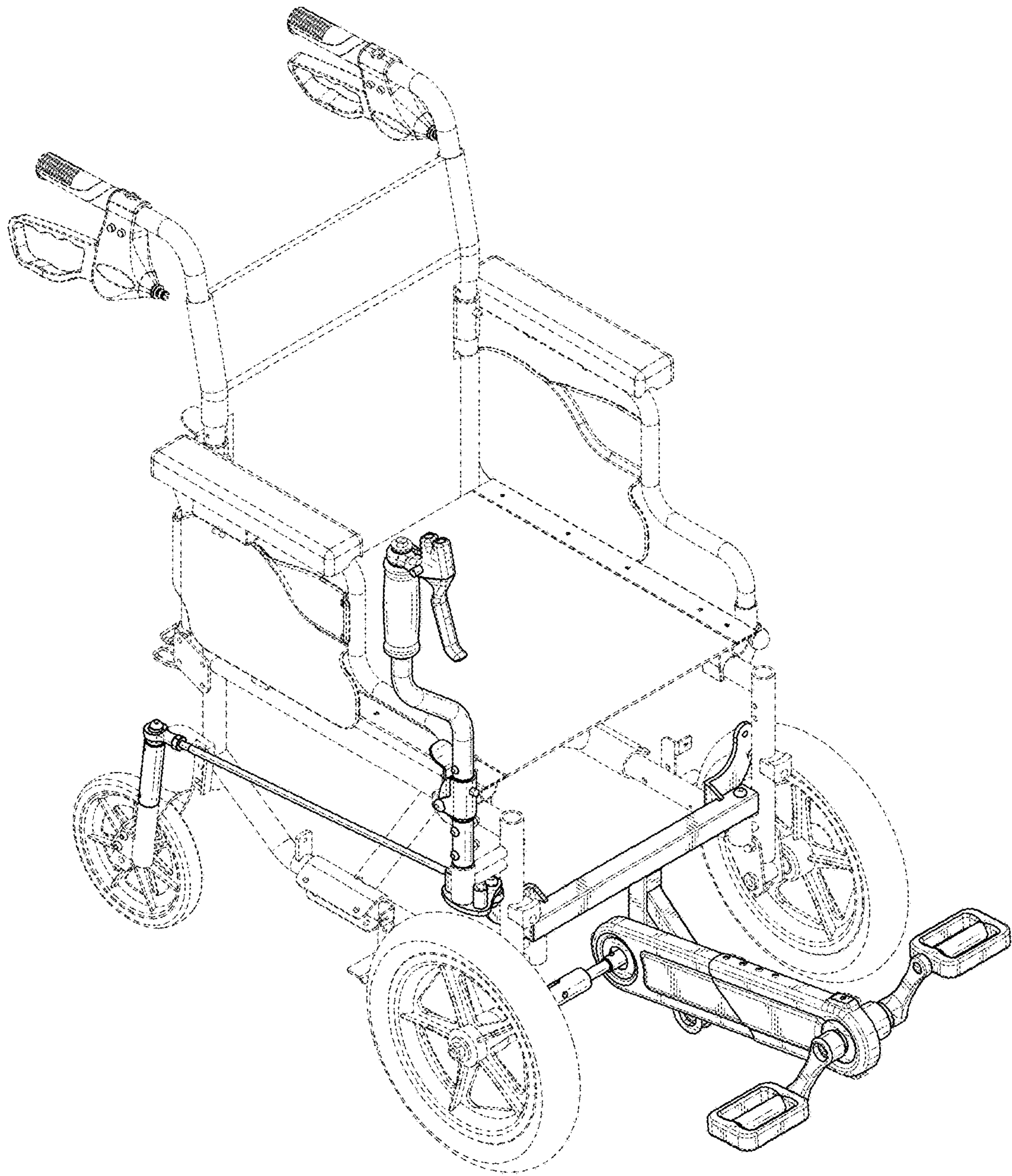


FIG. 1



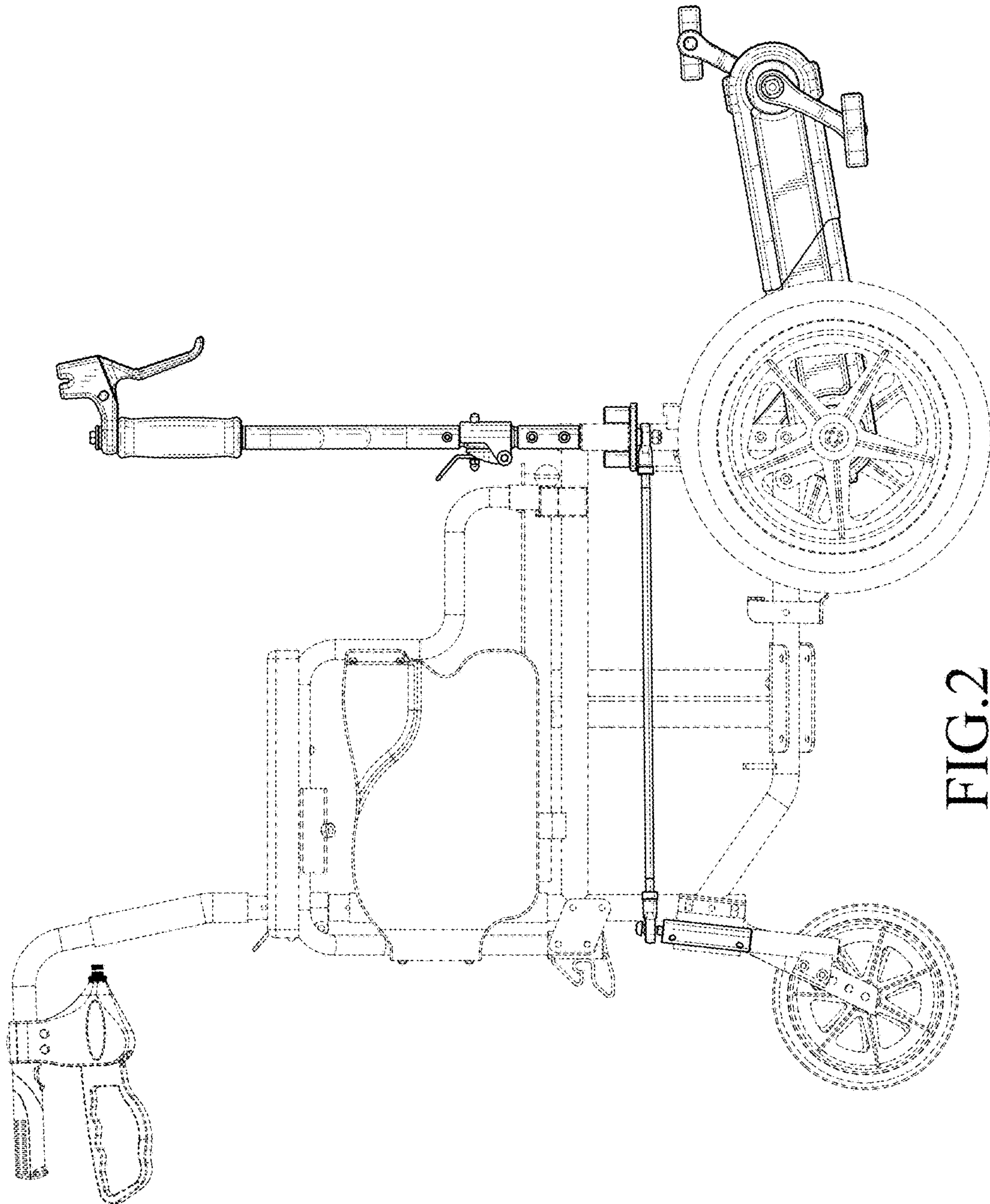


FIG.2

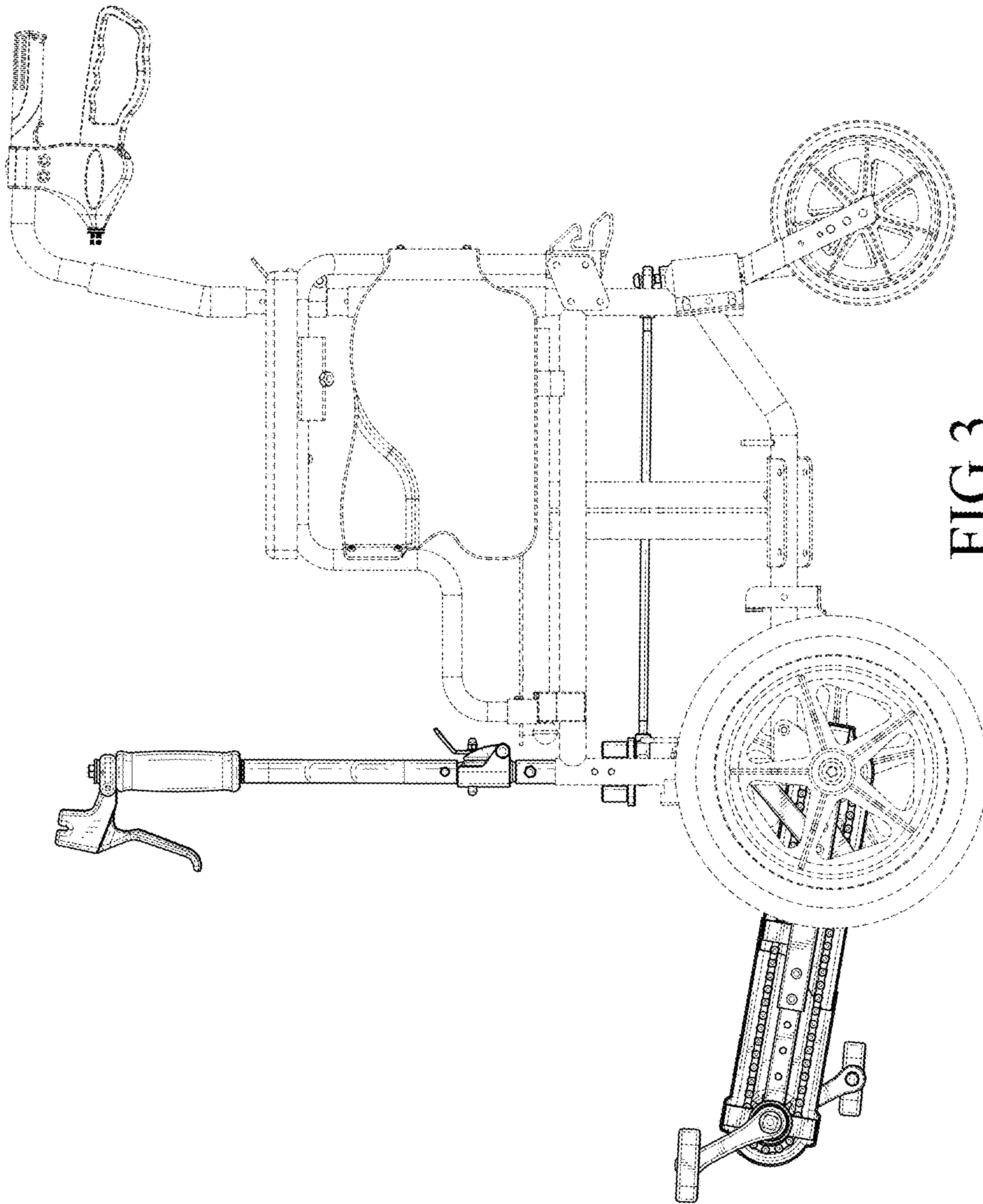


FIG. 3

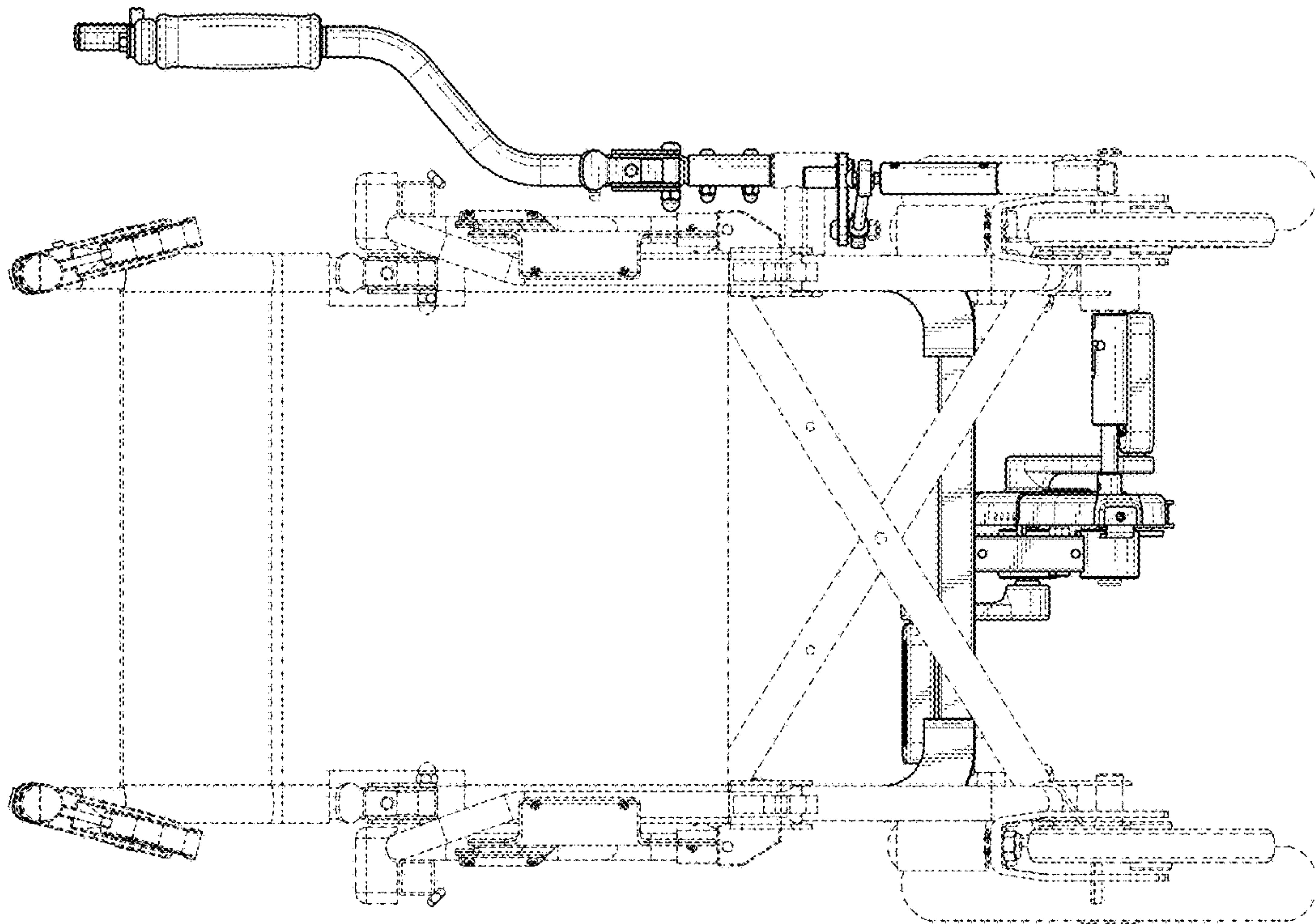


FIG.4

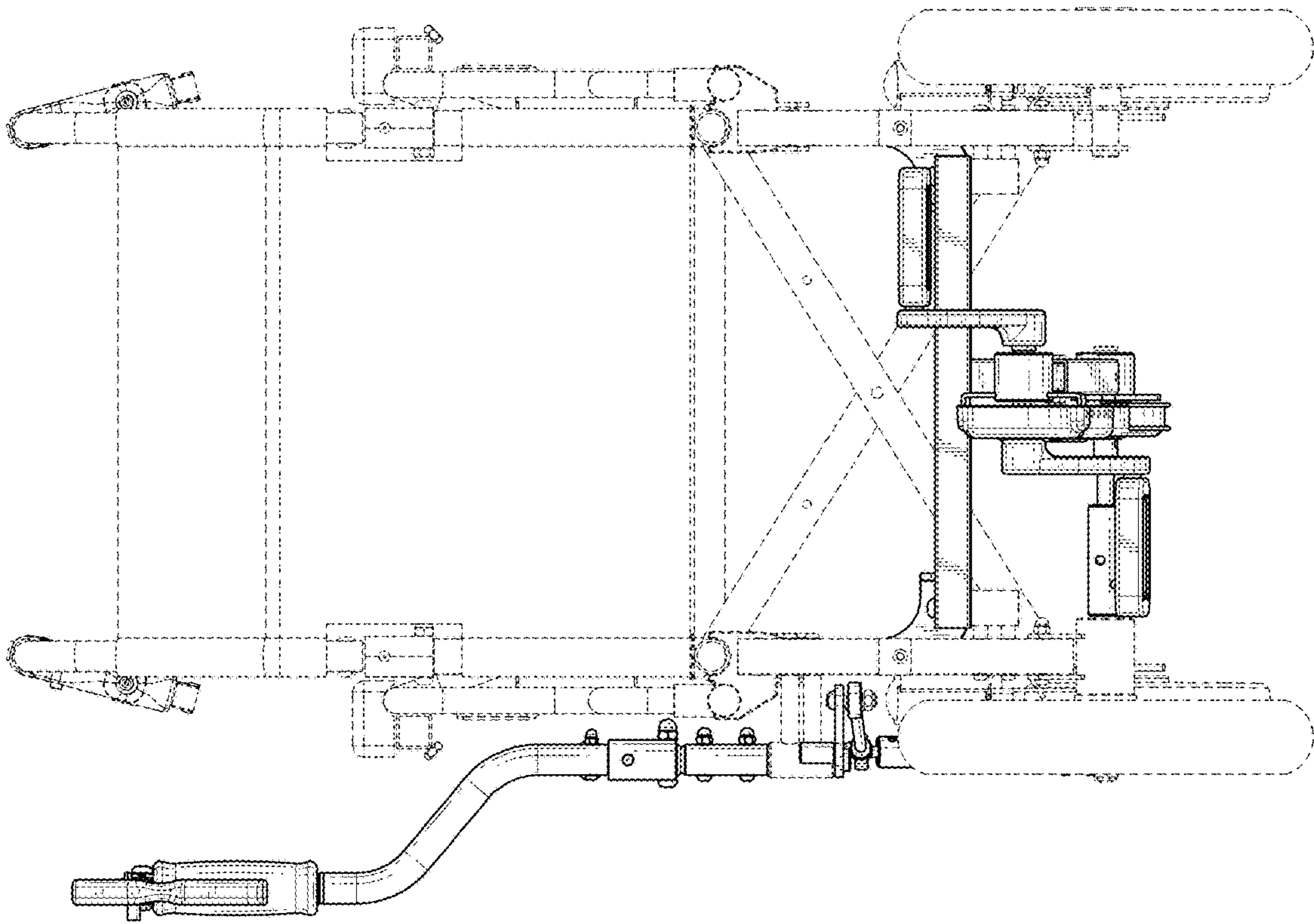


FIG. 5



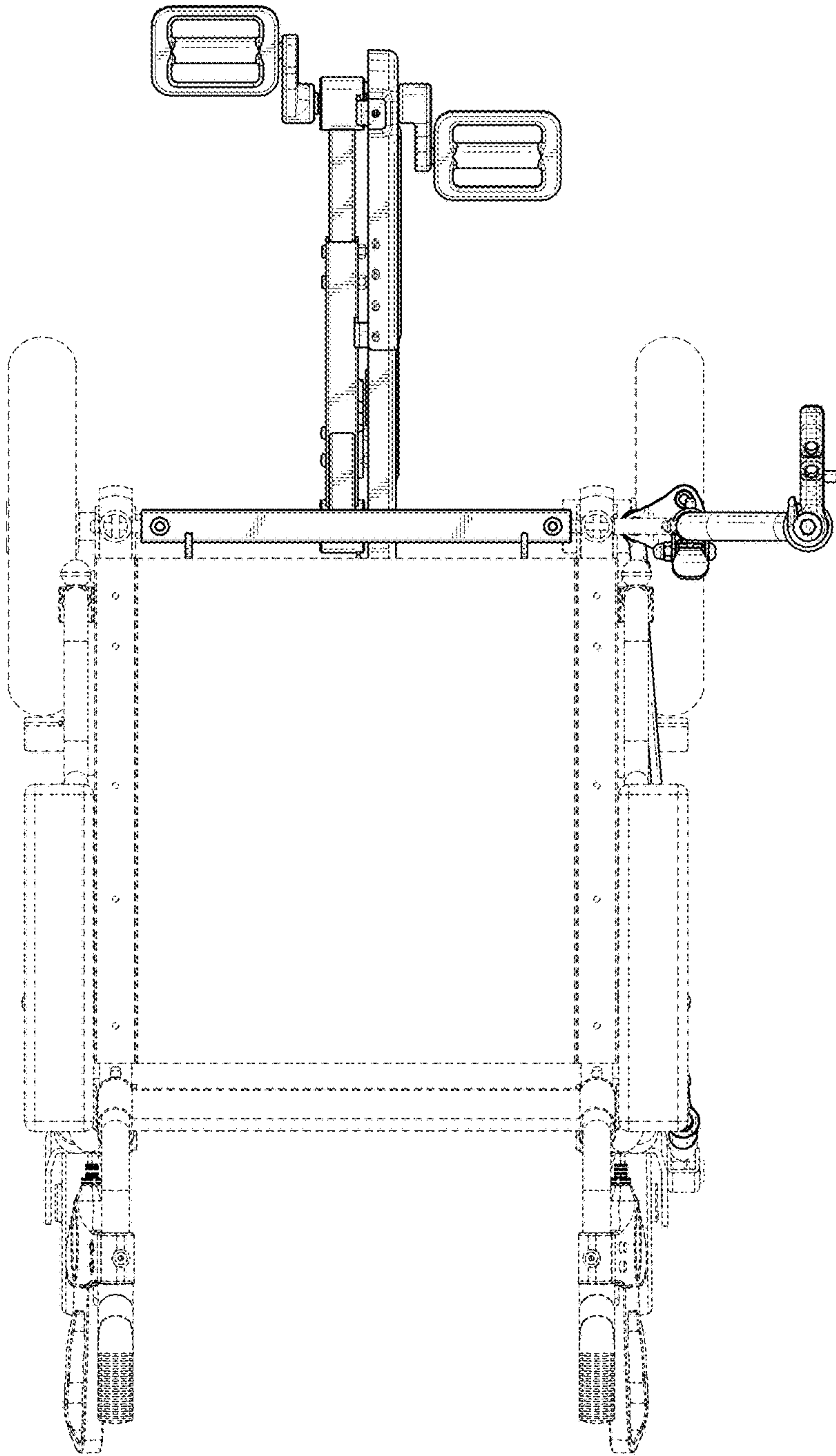


FIG.6

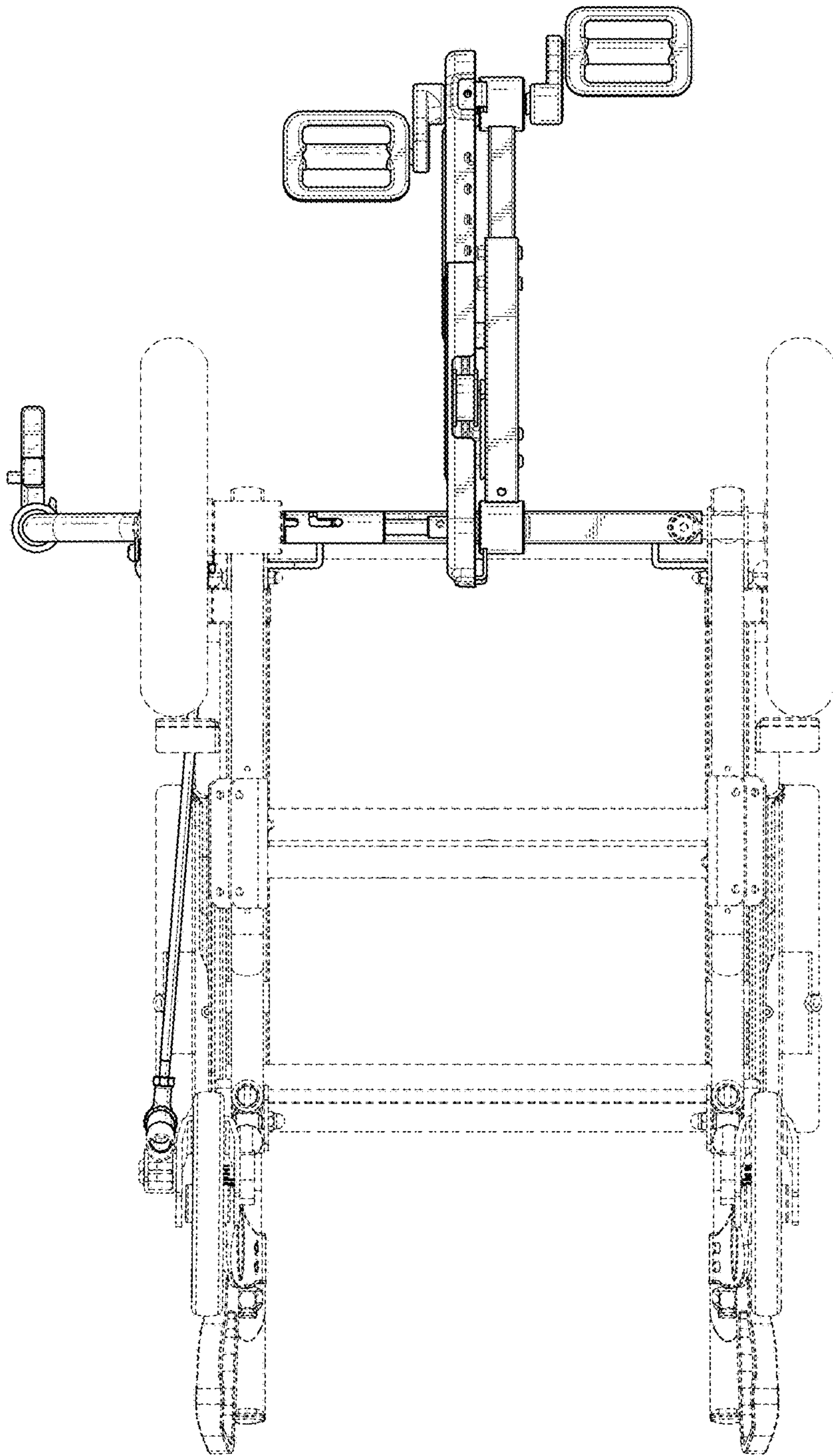


FIG.7



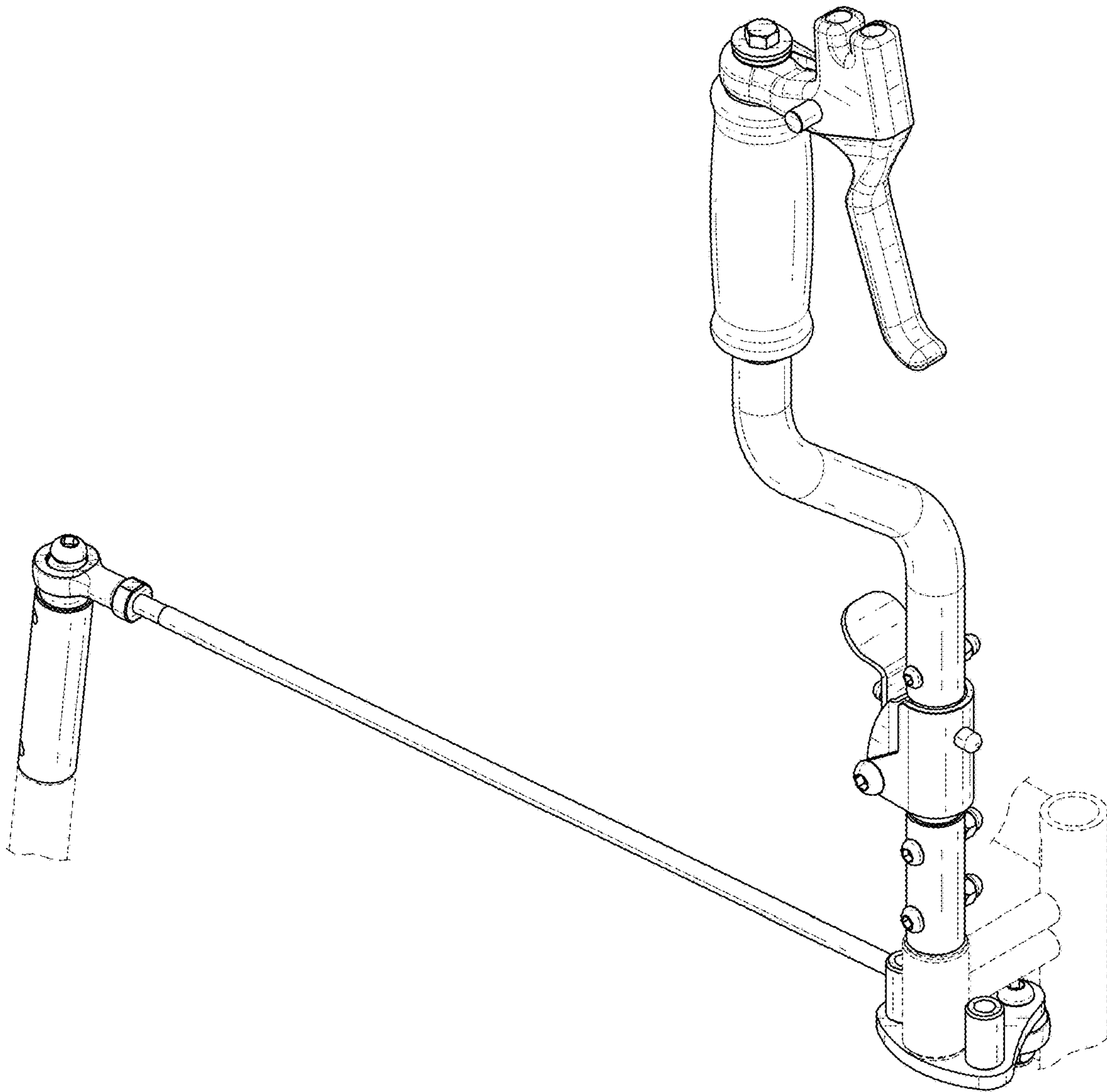


FIG.8

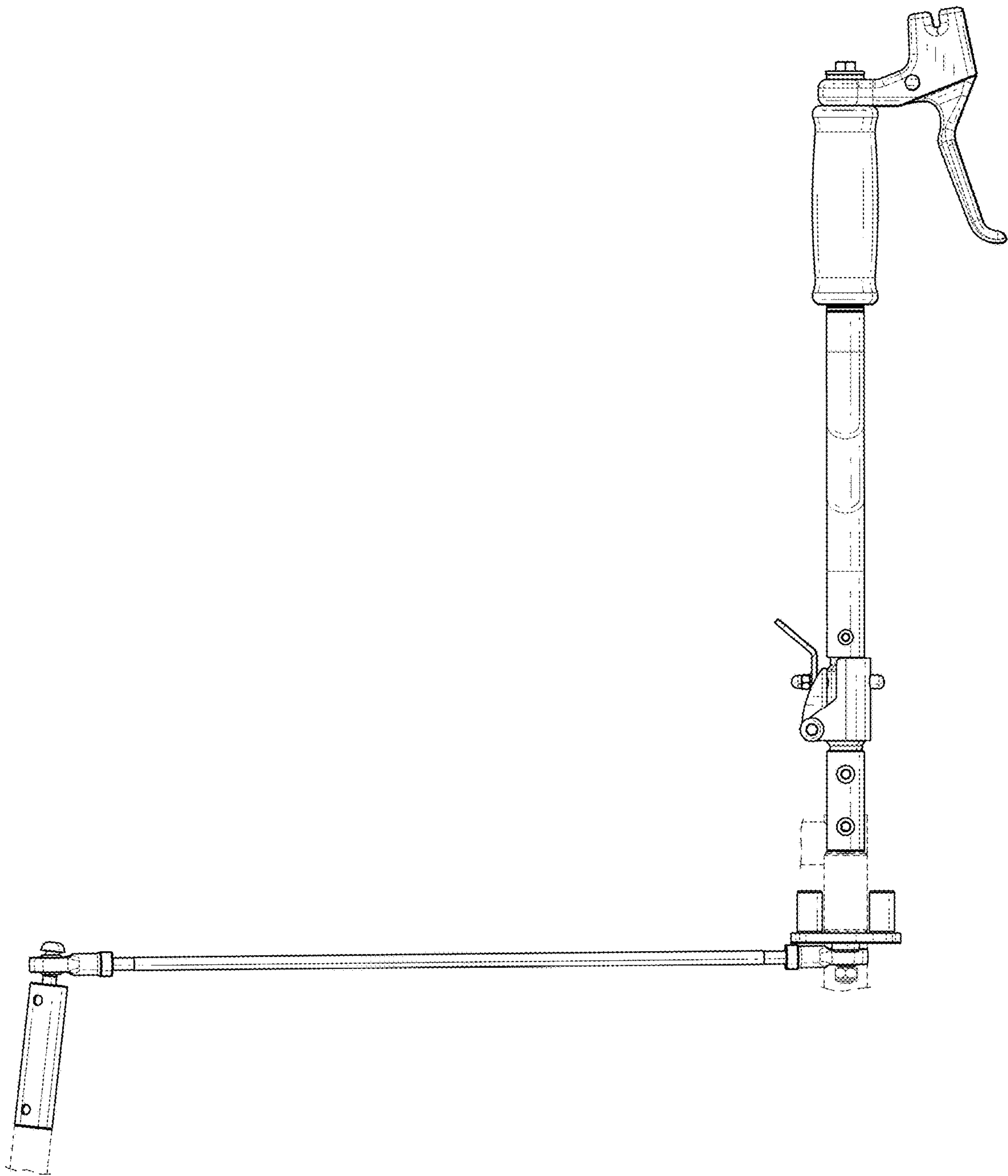


FIG. 9

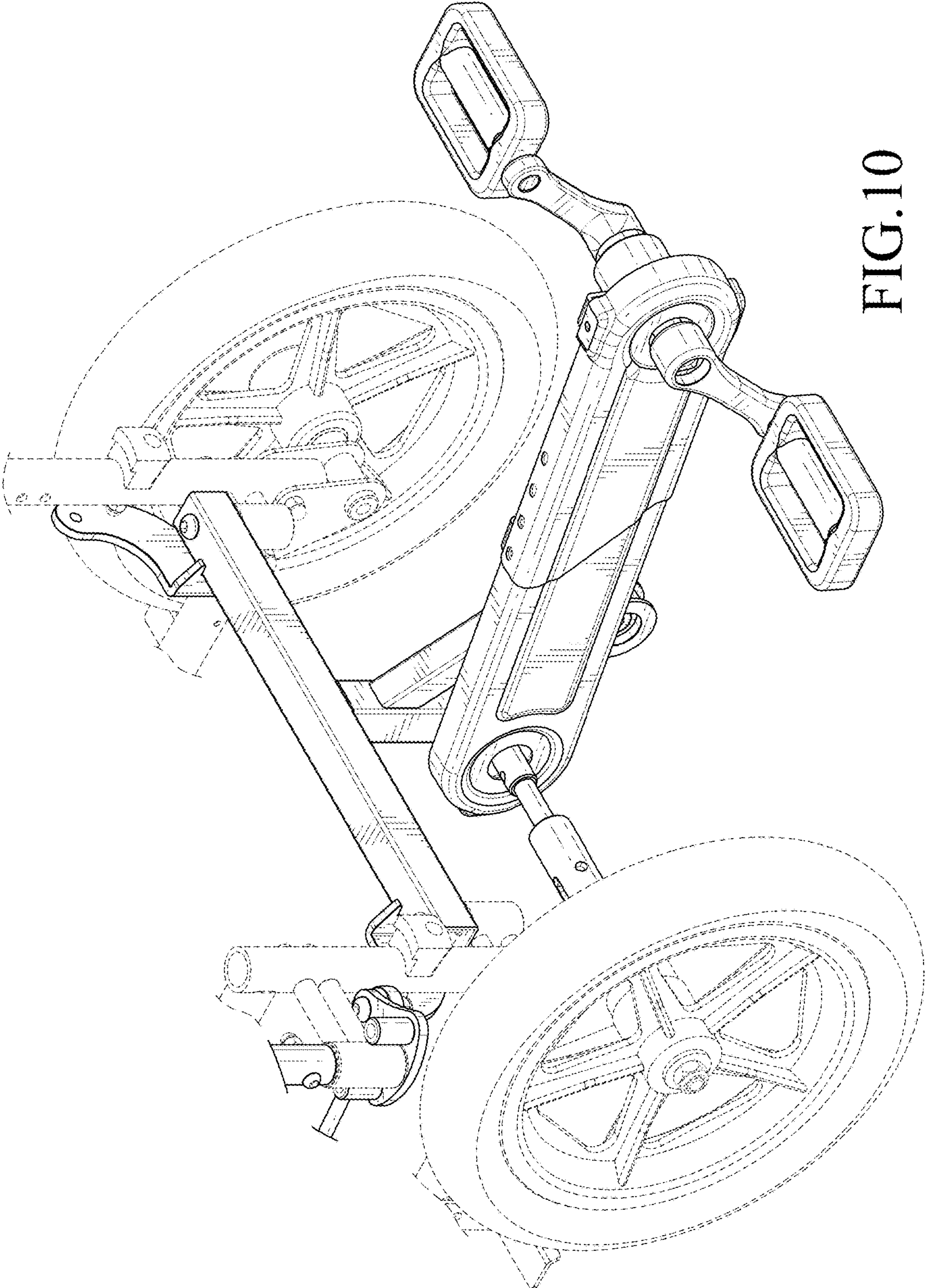


FIG.10



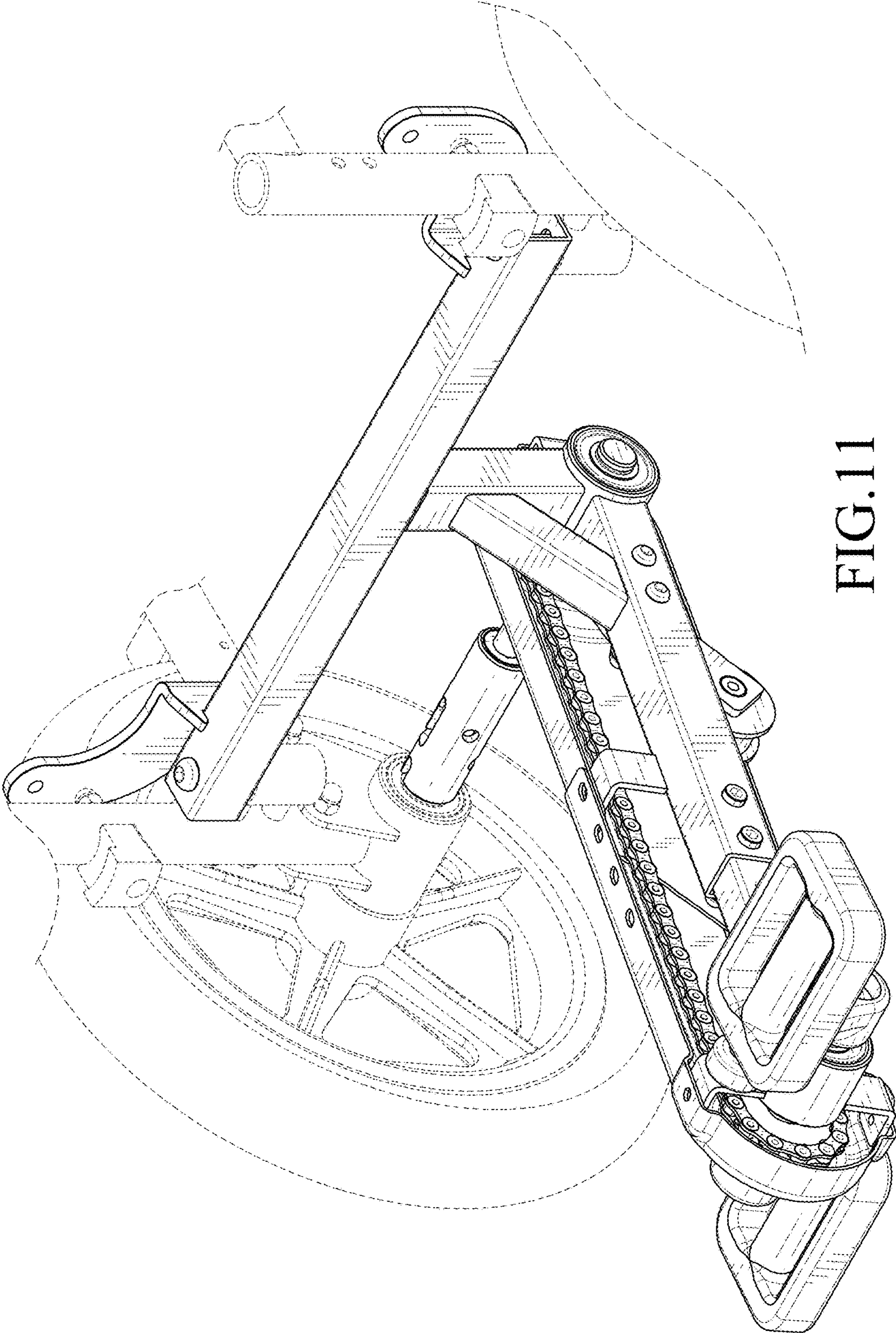


FIG.11

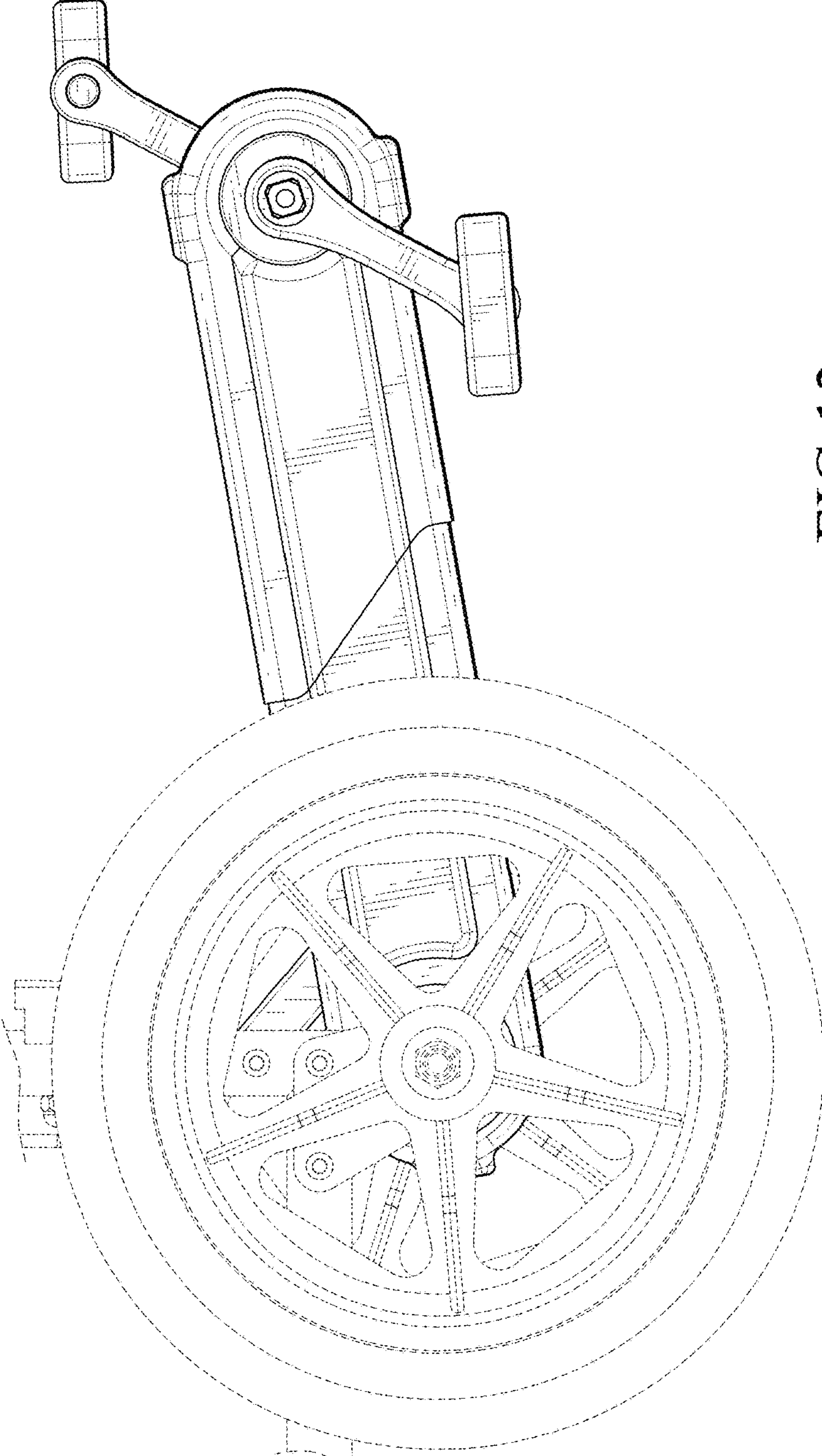


FIG.12

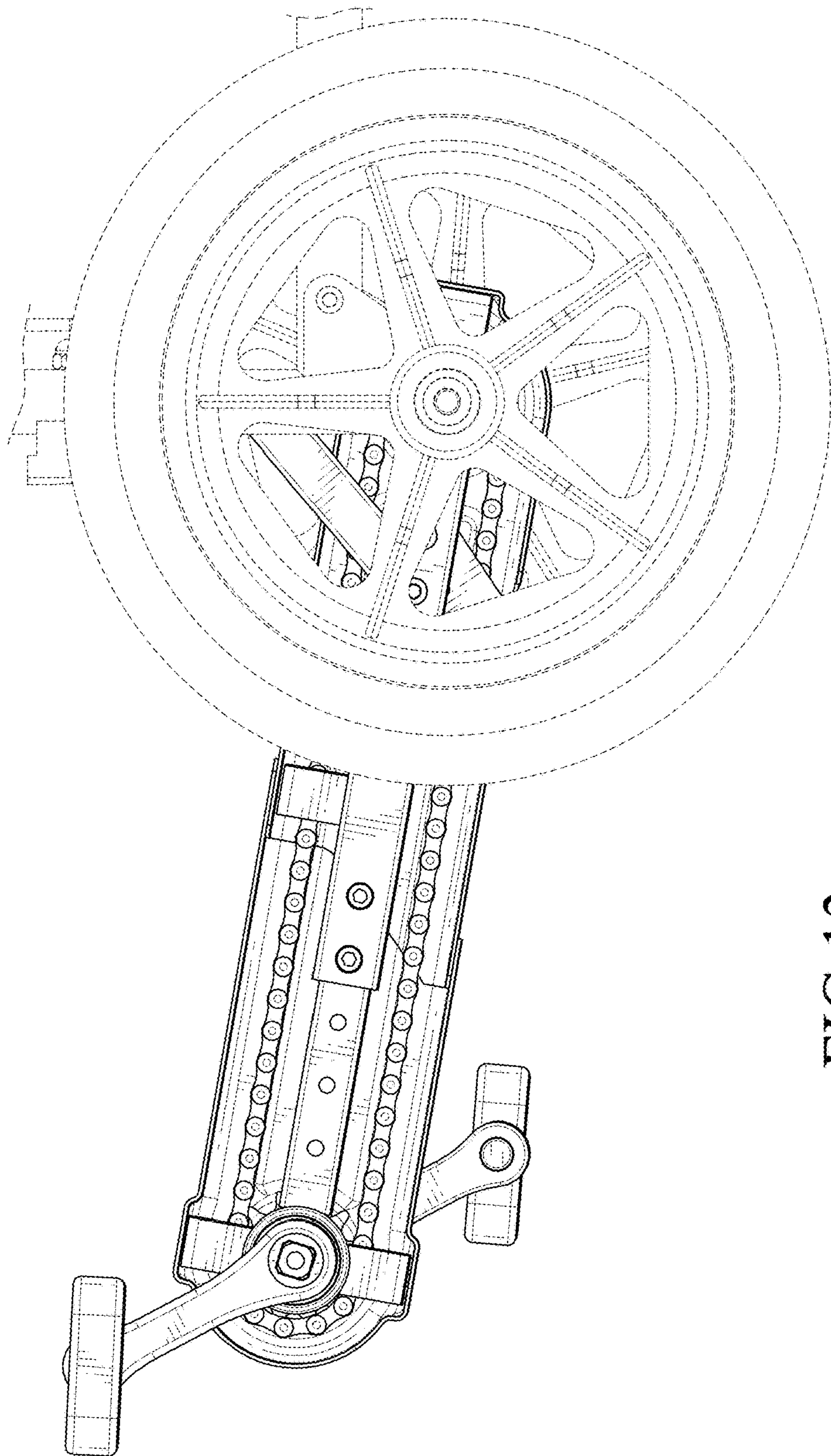


FIG.13



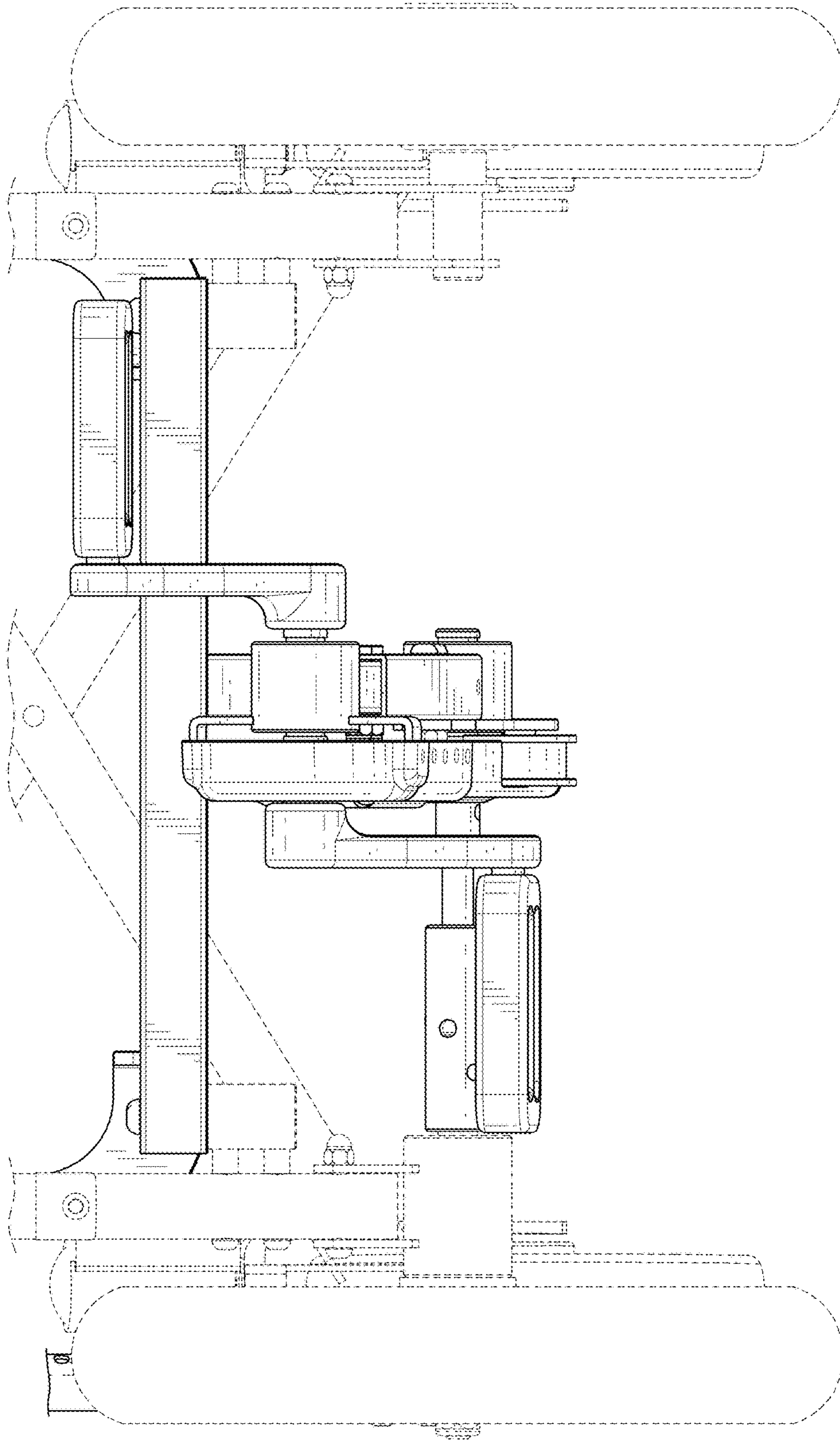


FIG.14

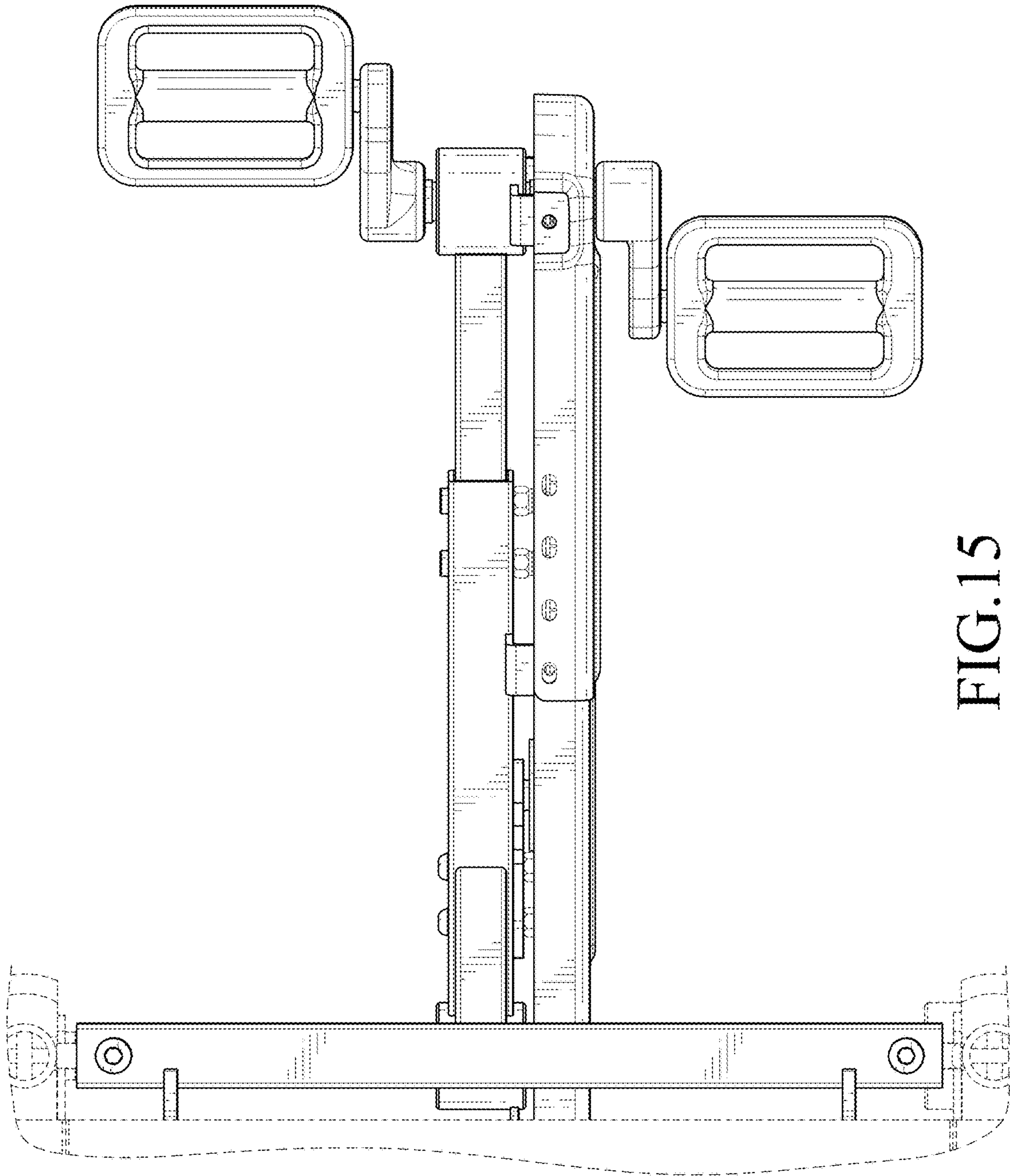


FIG.15