



US00D840877S

(12) **United States Design Patent**
Michelena et al.

(10) **Patent No.:** **US D840,877 S**
(45) **Date of Patent:** **** Feb. 19, 2019**

- (54) **RECIPROCATING ROLLATOR**
- (71) Applicant: **Medline Industries, Inc.**, Northfield, IL (US)
- (72) Inventors: **Alberto Michelena**, Highlands Ranch, CO (US); **Allison Moran**, Denver, CO (US); **Shuting Guo**, Boulder, CO (US); **Jennifer Kracha**, Lafayette, CO (US); **Kyle Sebo**, Oceanside, CA (US); **Timothy Visos-Ely**, Boulder, CO (US)
- (73) Assignee: **Medline Industries, Inc.**, Northfield, IL (US)
- (**) Term: **15 Years**
- (21) Appl. No.: **29/612,722**
- (22) Filed: **Aug. 3, 2017**
- (51) **LOC (11) Cl.** **12-12**
- (52) **U.S. Cl.**
USPC **D12/130**
- (58) **Field of Classification Search**
USPC D12/128–133
CPC A61H 3/00; A61H 3/04; A61H 2003/001–2003/007; A61H 2003/043; A61H 2003/046
See application file for complete search history.

- 9,763,849 B2 * 9/2017 Paterson A61H 3/04
- 9,839,571 B2 * 12/2017 Pan A47C 4/04
- D807,793 S * 1/2018 Paterson D12/130
- 9,877,889 B2 * 1/2018 Chen A61H 3/04
- 9,907,723 B2 * 3/2018 Bisceglia A61H 3/04
- 9,968,509 B2 * 5/2018 Andersen A61H 3/04
- 9,974,708 B1 * 5/2018 Janeczek A61H 3/04

* cited by examiner

Primary Examiner — Charles D Hanson
(74) *Attorney, Agent, or Firm* — Fitch, Even, Tabin & Flannery LLP

(57) **CLAIM**

We claim the ornamental design for a reciprocating rollator, as shown and described.

DESCRIPTION

FIG. 1 is a front perspective view of a reciprocating rollator showing our new design with the backrest in a deployed configuration and the rollator shown in a first configuration with the right and left sides of the rollator in approximately intermediate positions;

FIG. 2 is a front elevation view thereof;

FIG. 3 is a top plan view thereof;

FIG. 4 is a left side elevation view thereof;

FIG. 5 is a rear elevation view thereof;

FIG. 6 is a right side elevation view thereof;

FIG. 7 is a bottom plan view thereof;

FIG. 8 is a front perspective view thereof showing the backrest in a folded configuration;

FIG. 9 is a top plan view thereof;

FIG. 10 is a top plan view thereof showing the rollator in a second configuration with the right side of the rollator in an advanced position and the left side in a rearward position;

FIG. 11 is a left side elevation view thereof; and,

FIG. 12 is a right side elevation view thereof.

1 Claim, 12 Drawing Sheets

(56) **References Cited**

U.S. PATENT DOCUMENTS

- D739,314 S * 9/2015 Wang D12/130
- 9,226,868 B2 * 1/2016 Andersen A61H 3/04
- D754,034 S * 4/2016 Wang D12/130
- D754,568 S * 4/2016 Wang D12/130
- 9,381,132 B2 * 7/2016 Chen A61H 3/04
- 9,687,411 B2 * 6/2017 Chen A61H 3/04

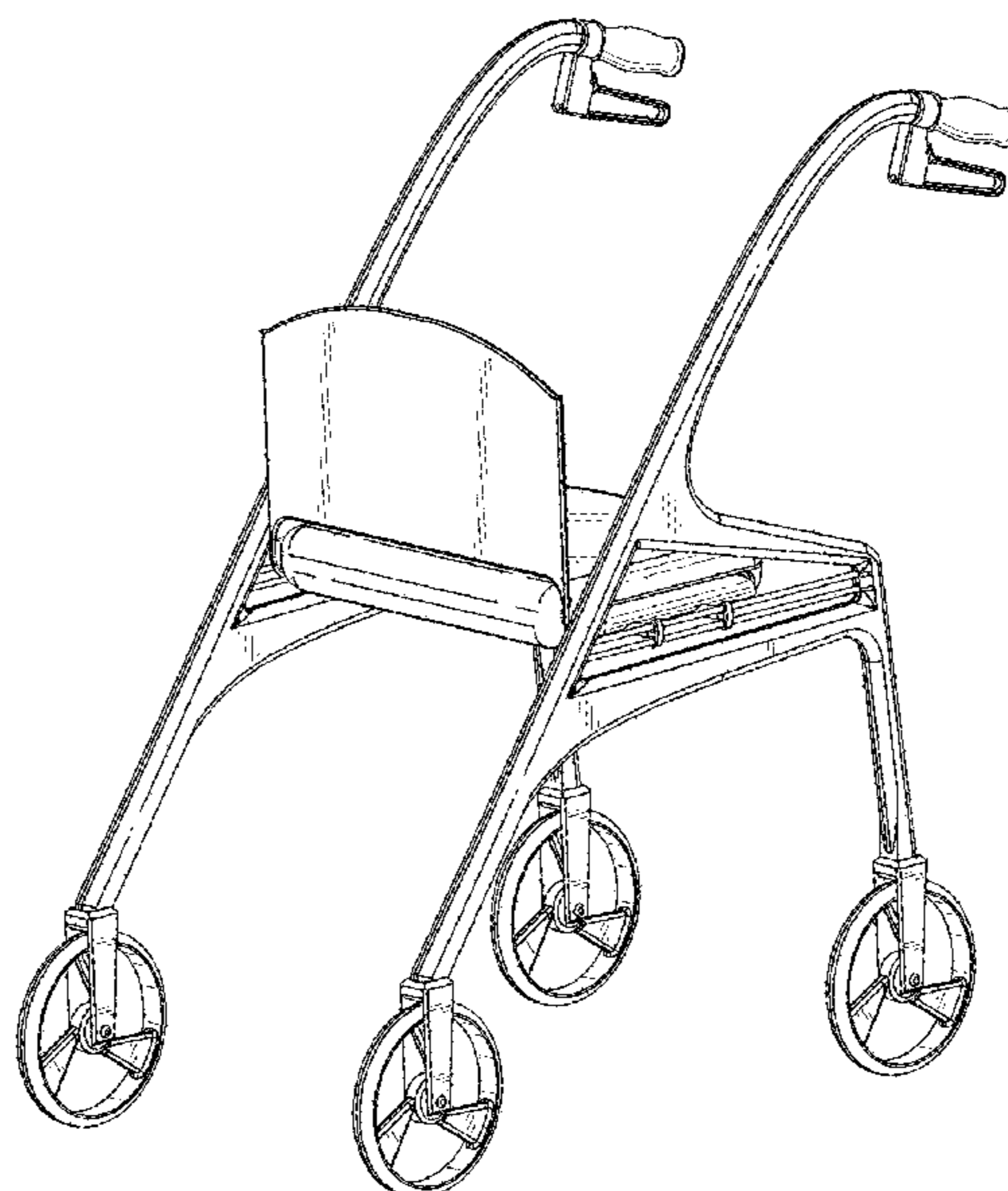


FIG. 1



FIG. 2

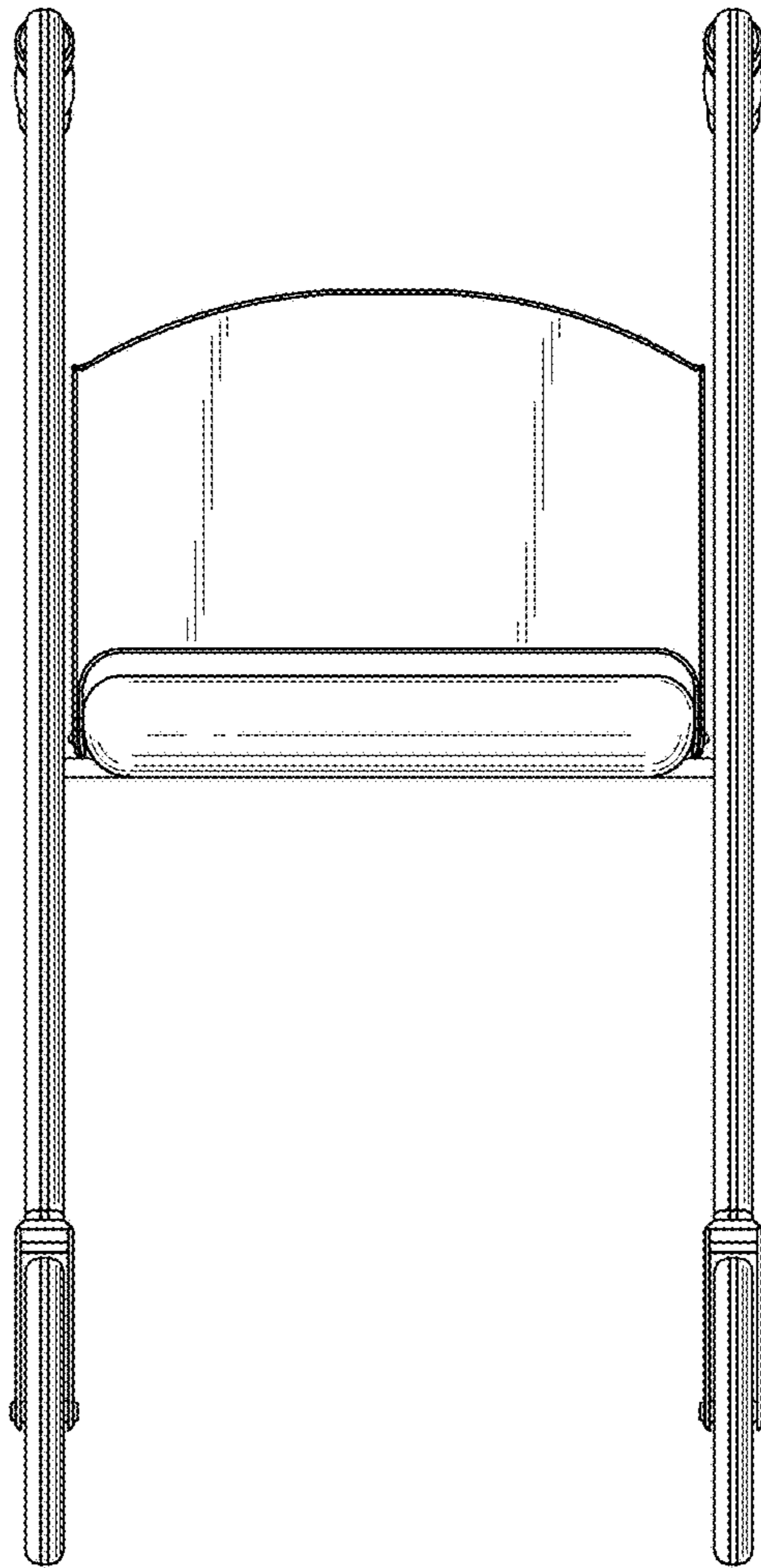


FIG. 3

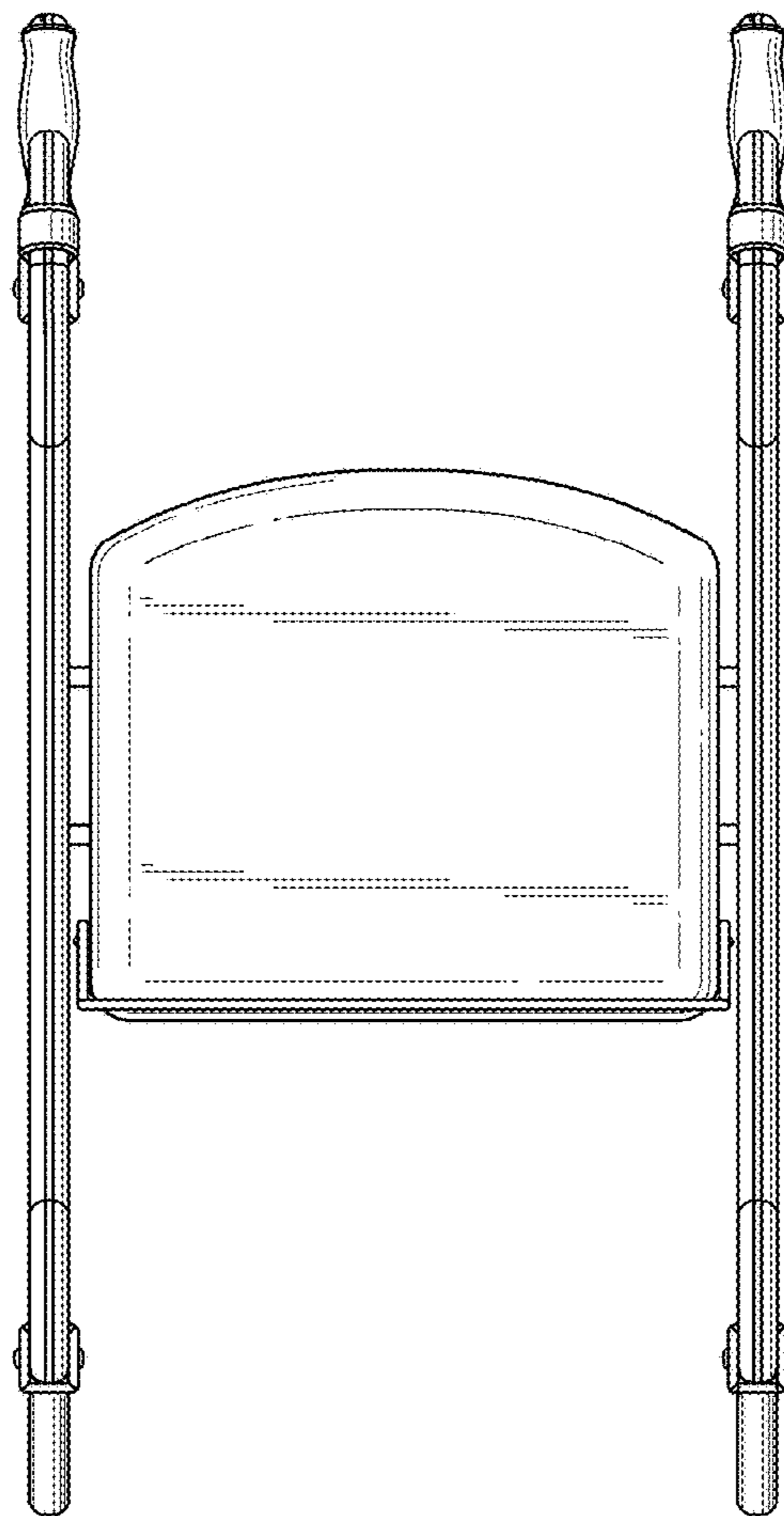


FIG. 4

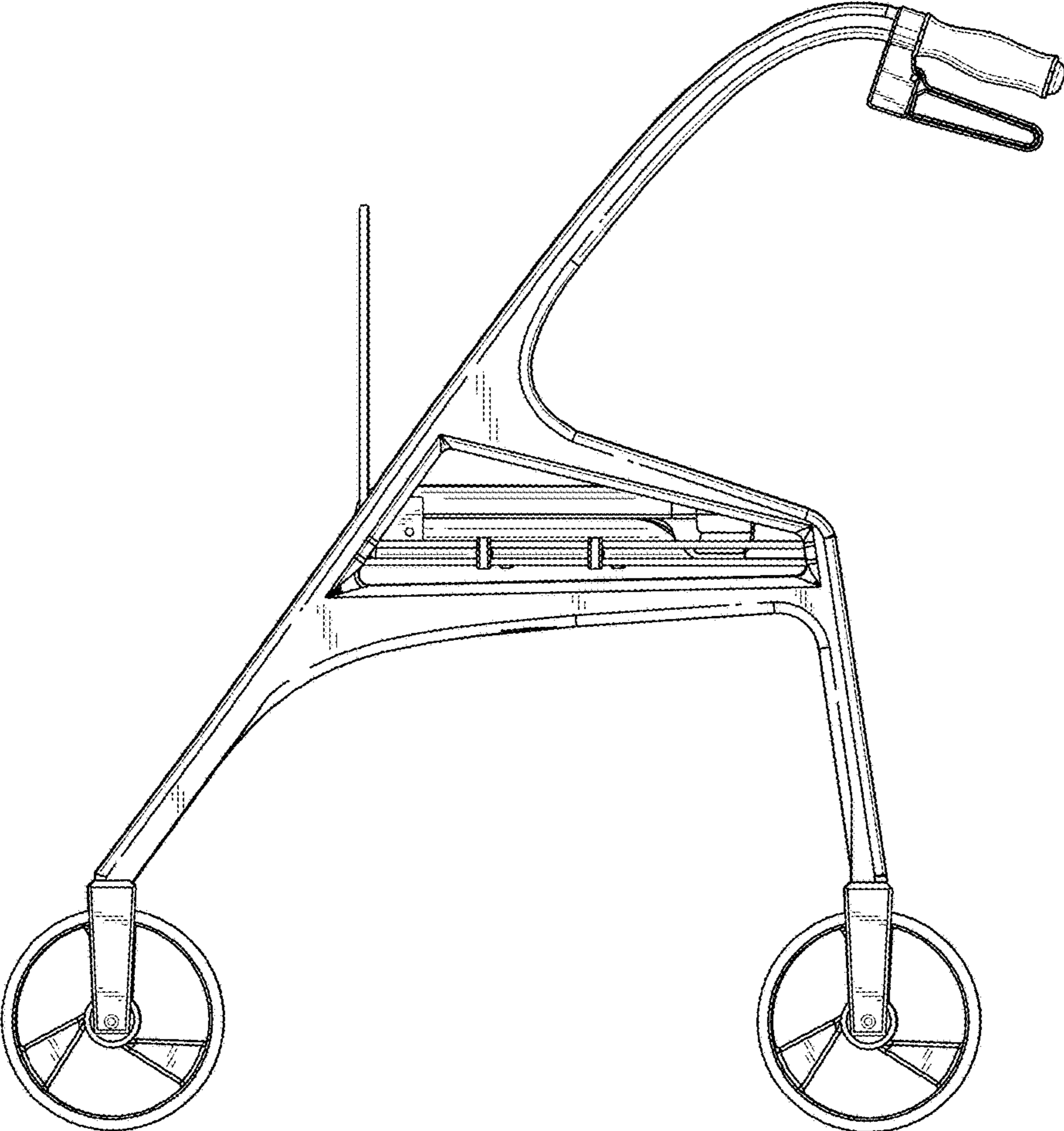


FIG. 5

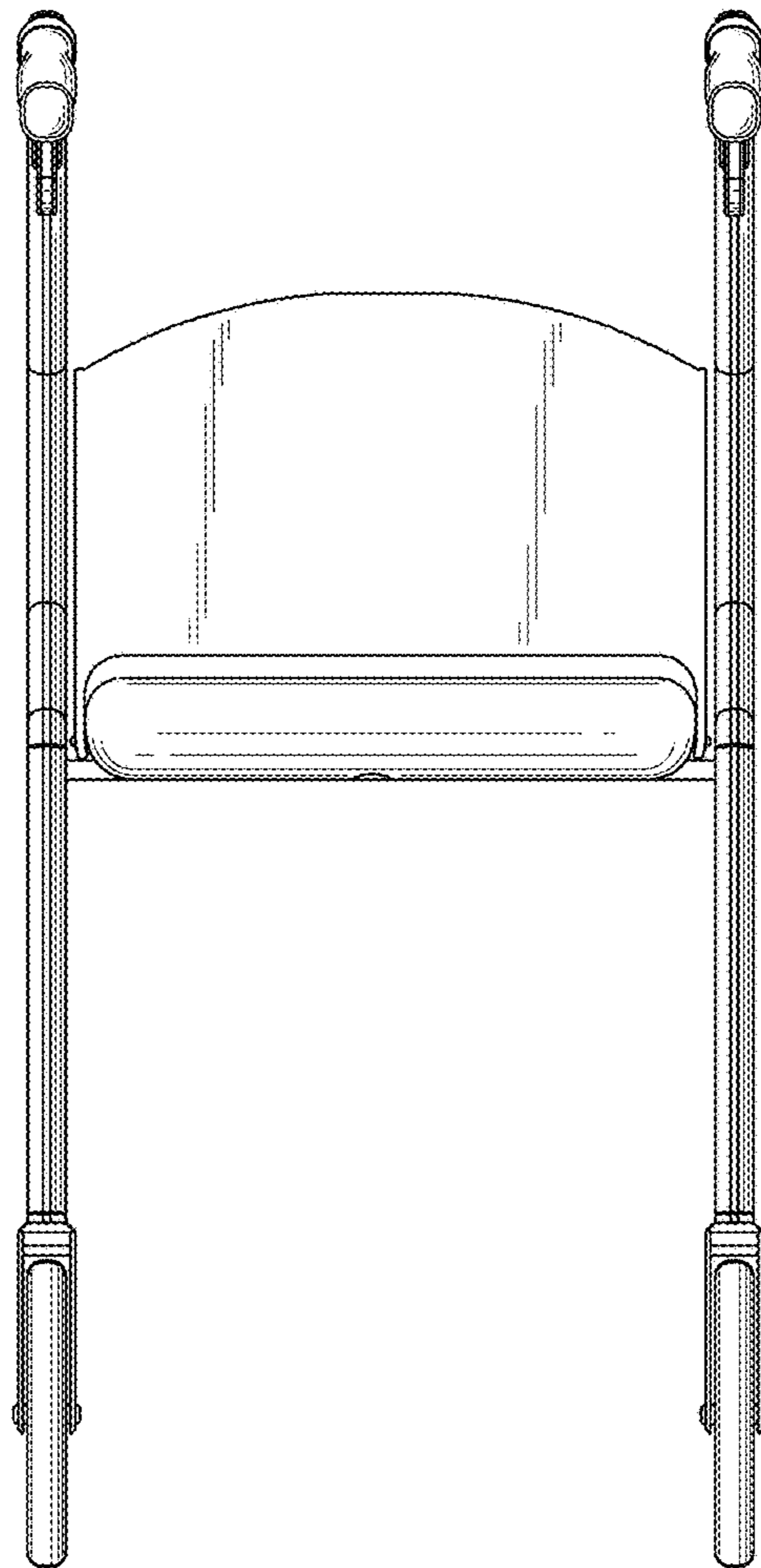


FIG. 6

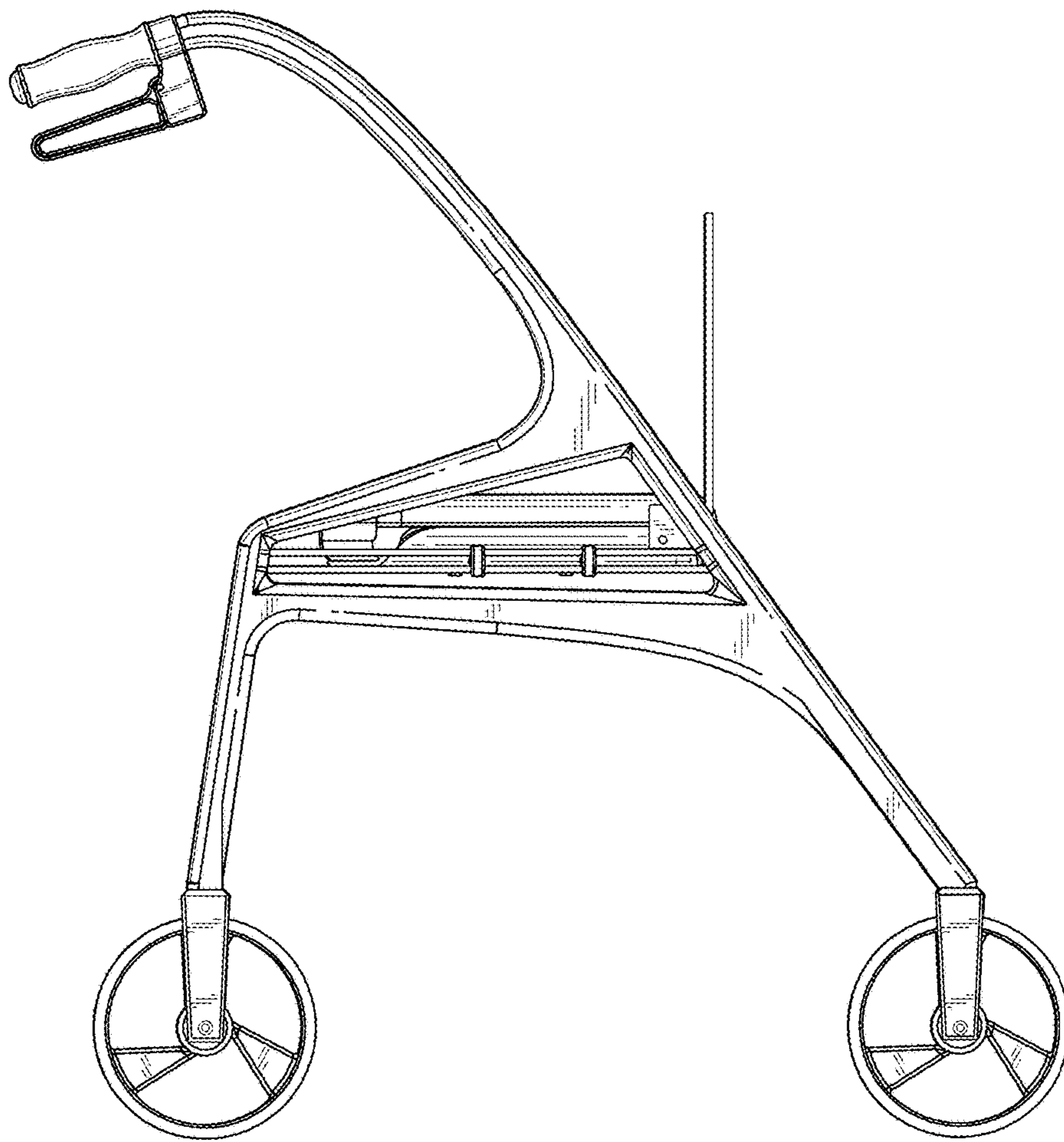


FIG. 7

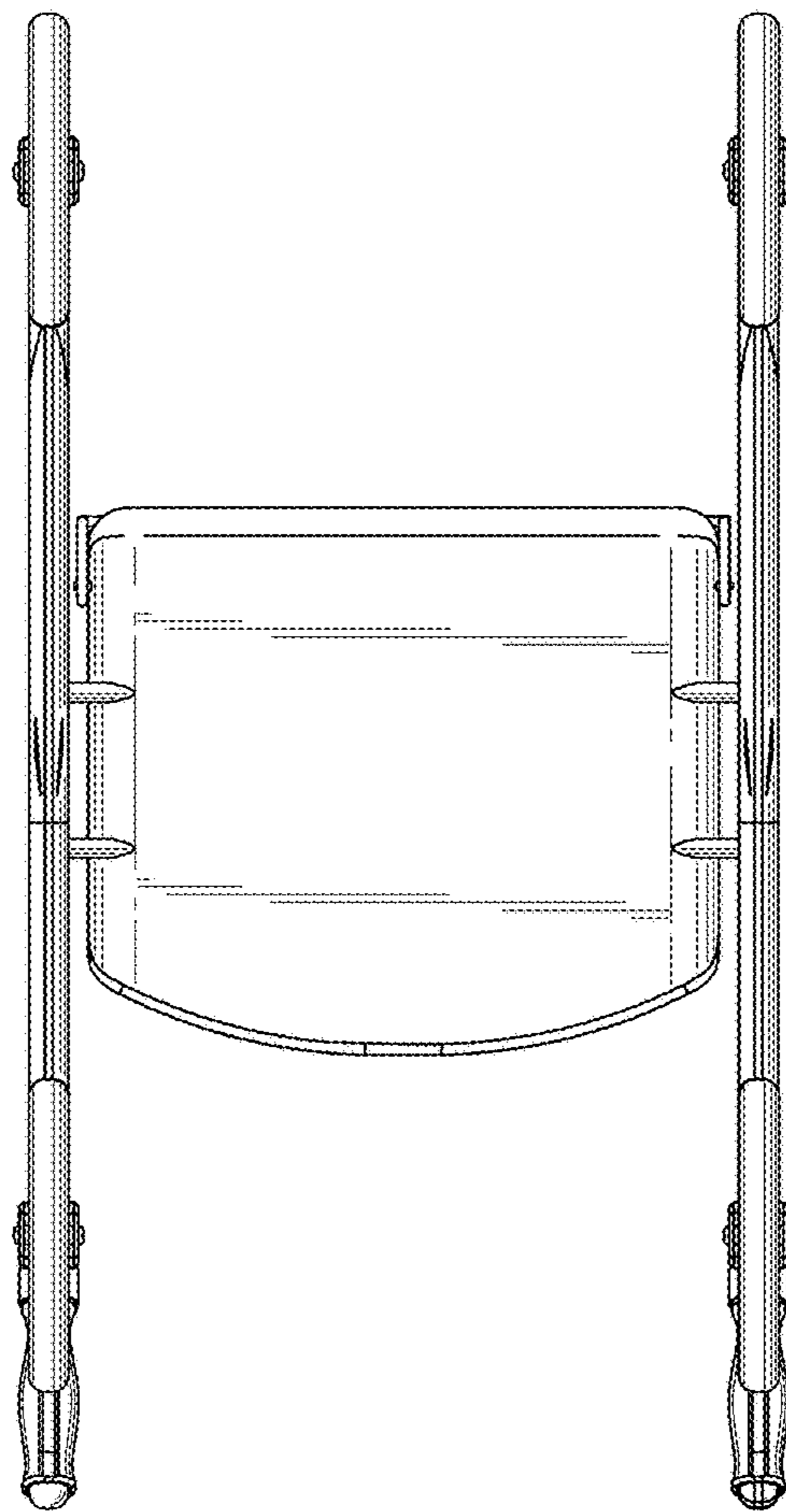


FIG. 8



FIG. 9

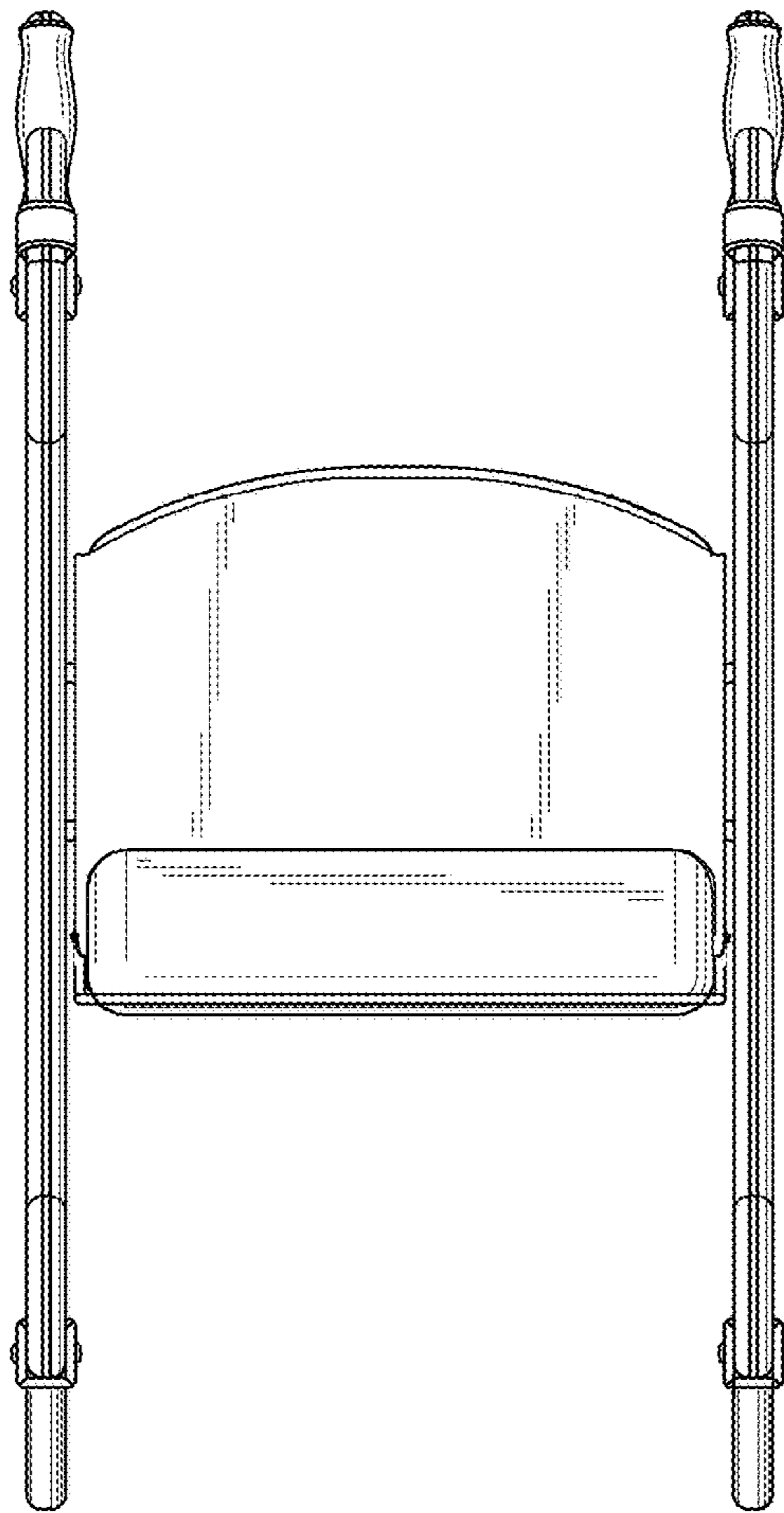
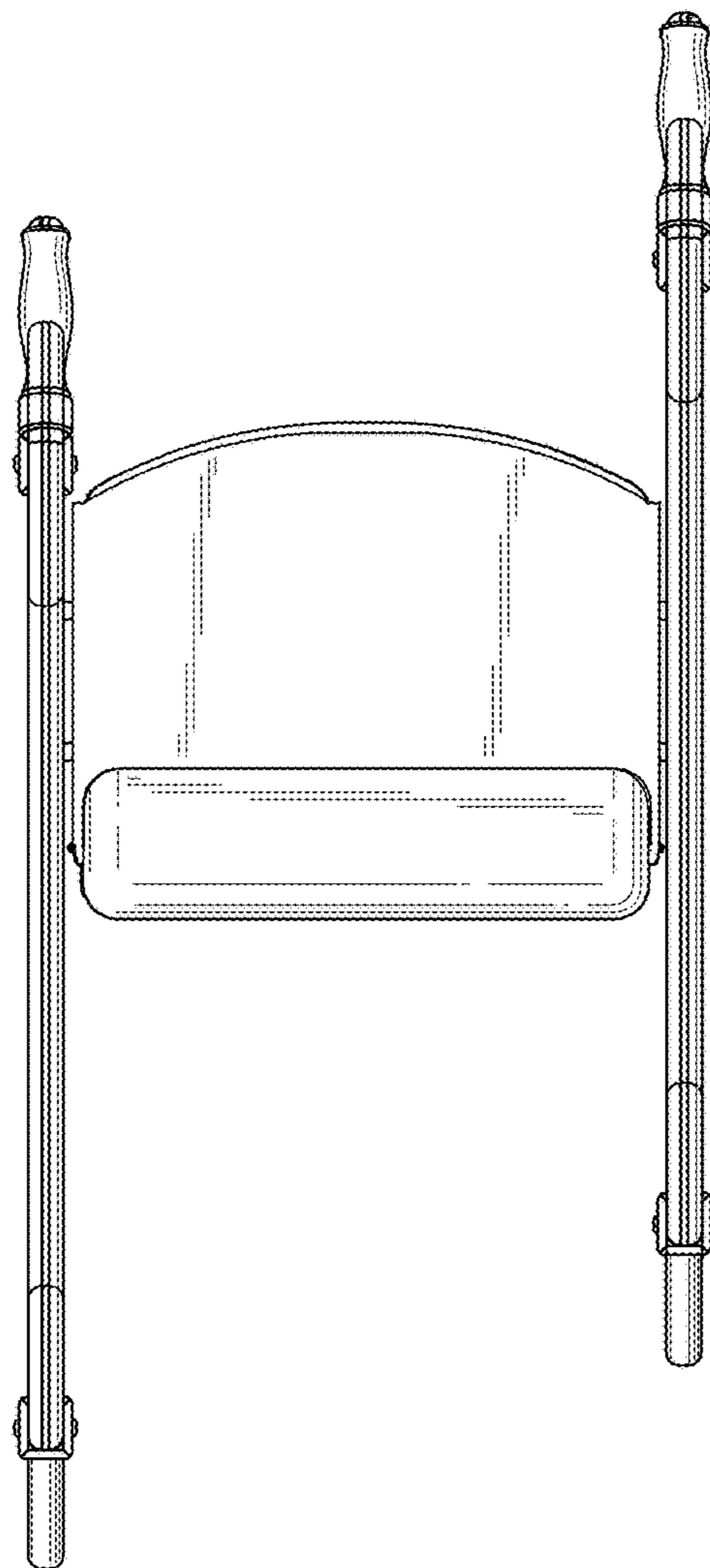


FIG. 10



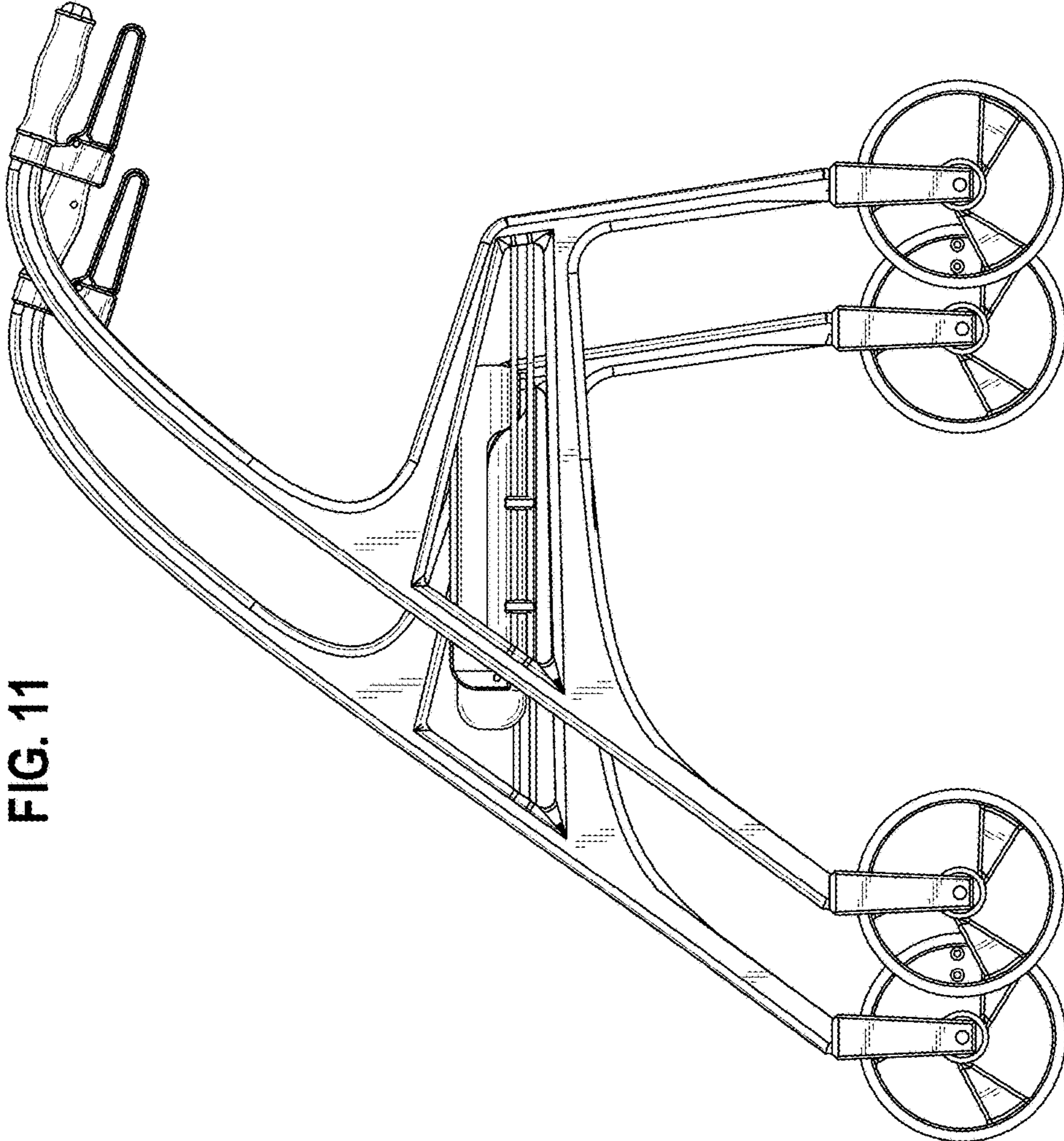


FIG. 11

FIG. 12

