



US00D840876S

(12) **United States Design Patent**  
**De Roeck**

(10) **Patent No.:** **US D840,876 S**  
(45) **Date of Patent:** **\*\* Feb. 19, 2019**

- (54) **BICYCLE FRAME**
- (71) Applicant: **The Chillafish Company, N.V.**,  
Antwerp (BE)
- (72) Inventor: **Sebastian Annemie B De Roeck**,  
Westmalle (BE)
- (73) Assignee: **The Chillafish Company, N.V.**,  
Antwerp (BE)
- (\*\*) Term: **15 Years**
- (21) Appl. No.: **29/604,322**
- (22) Filed: **May 17, 2017**
- (51) **LOC (11) Cl.** ..... **12-11**
- (52) **U.S. Cl.**  
USPC ..... **D12/111**
- (58) **Field of Classification Search**  
USPC ..... D12/111, 117; D21/412, 414, 419,  
D21/423-428, 431-435  
CPC ..... B62K 3/00; B62K 3/02; B62K 3/06  
See application file for complete search history.

8,967,641 B2 *	3/2015	De Roeck	.....	B62K 9/02	280/87.021
D729,700 S *	5/2015	De Roeck	.....	D12/111	
D735,619 S *	8/2015	Lawson	.....	D12/111	
D735,620 S *	8/2015	Pape	.....	B62K 9/00	D12/111
D739,308 S *	9/2015	Barnaby Latham	.....	D12/111	
D797,201 S *	9/2017	Wu	.....	D21/432	
D803,728 S *	11/2017	Kamler	.....	D12/111	
D825,395 S *	8/2018	Gafni	.....	D12/111	

\* cited by examiner

*Primary Examiner* — Darlington Ly  
(74) *Attorney, Agent, or Firm* — Kirschstein, Israel,  
Schiffmiller & Pieroni, P.C.

(56) **References Cited**

U.S. PATENT DOCUMENTS

D512,664 S *	12/2005	Schreier	.....	D12/111
D597,147 S *	7/2009	Verlinden	.....	D21/424
D629,049 S *	12/2010	McFarland	.....	B62K 9/00
				D12/111
D695,847 S *	12/2013	Liu	.....	D12/111
8,844,952 B2 *	9/2014	Chen	.....	B62K 9/00
				280/87.021

(57) **CLAIM**

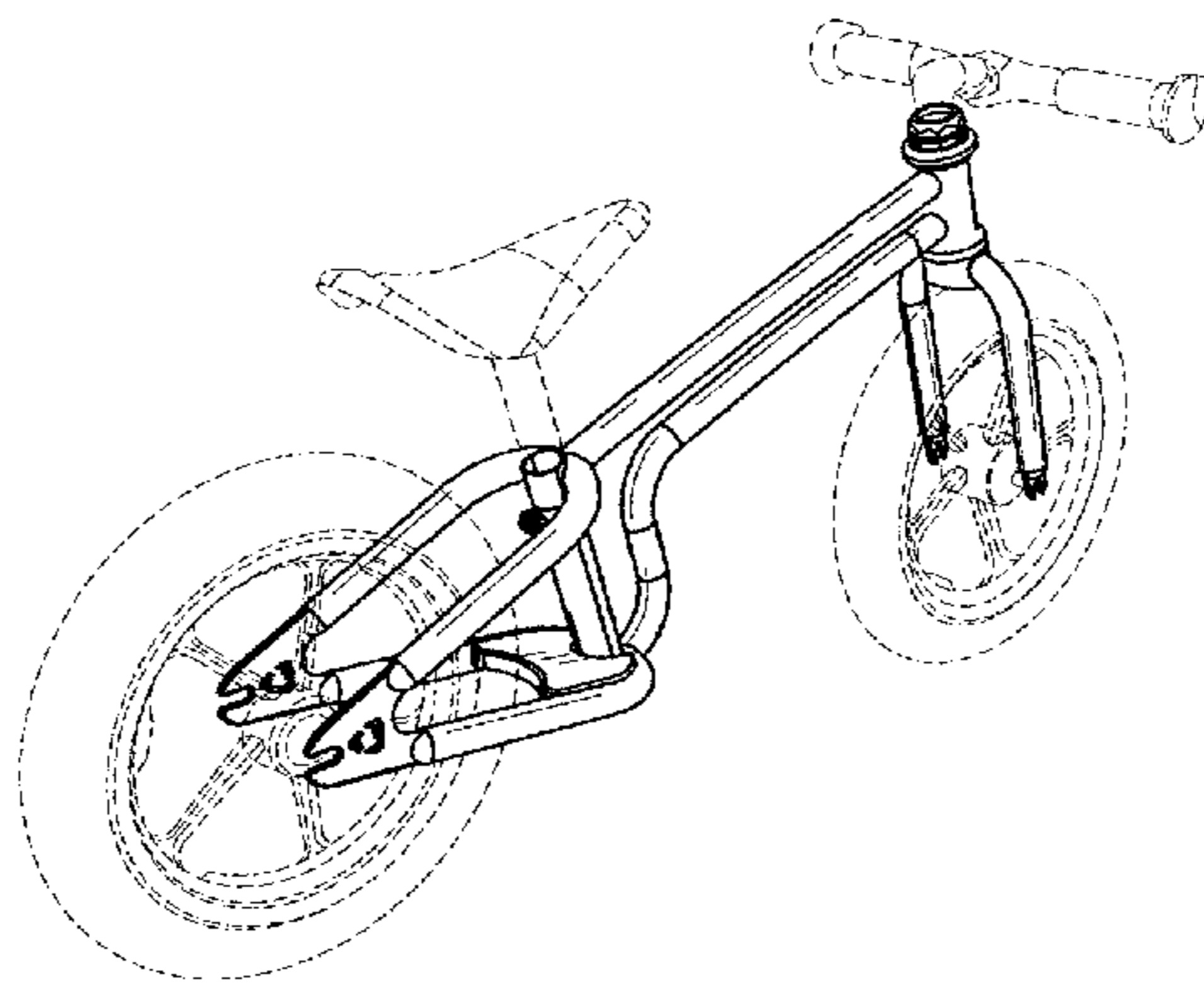
The ornamental design for a bicycle frame, as shown and described.

**DESCRIPTION**

FIG. 1 is a top, rear, and right side perspective view of a bicycle frame showing my new design; FIG. 2 is a front and left side perspective view thereof; FIG. 3 is a front elevation view thereof; FIG. 4 is a left side elevation view thereof, to which the right side elevation view is a mirror image; and, FIG. 5 is a top plan view thereof.

The broken lines in the drawings illustrate portions of an environmental bicycle that form no part of the claimed design.

**1 Claim, 5 Drawing Sheets**



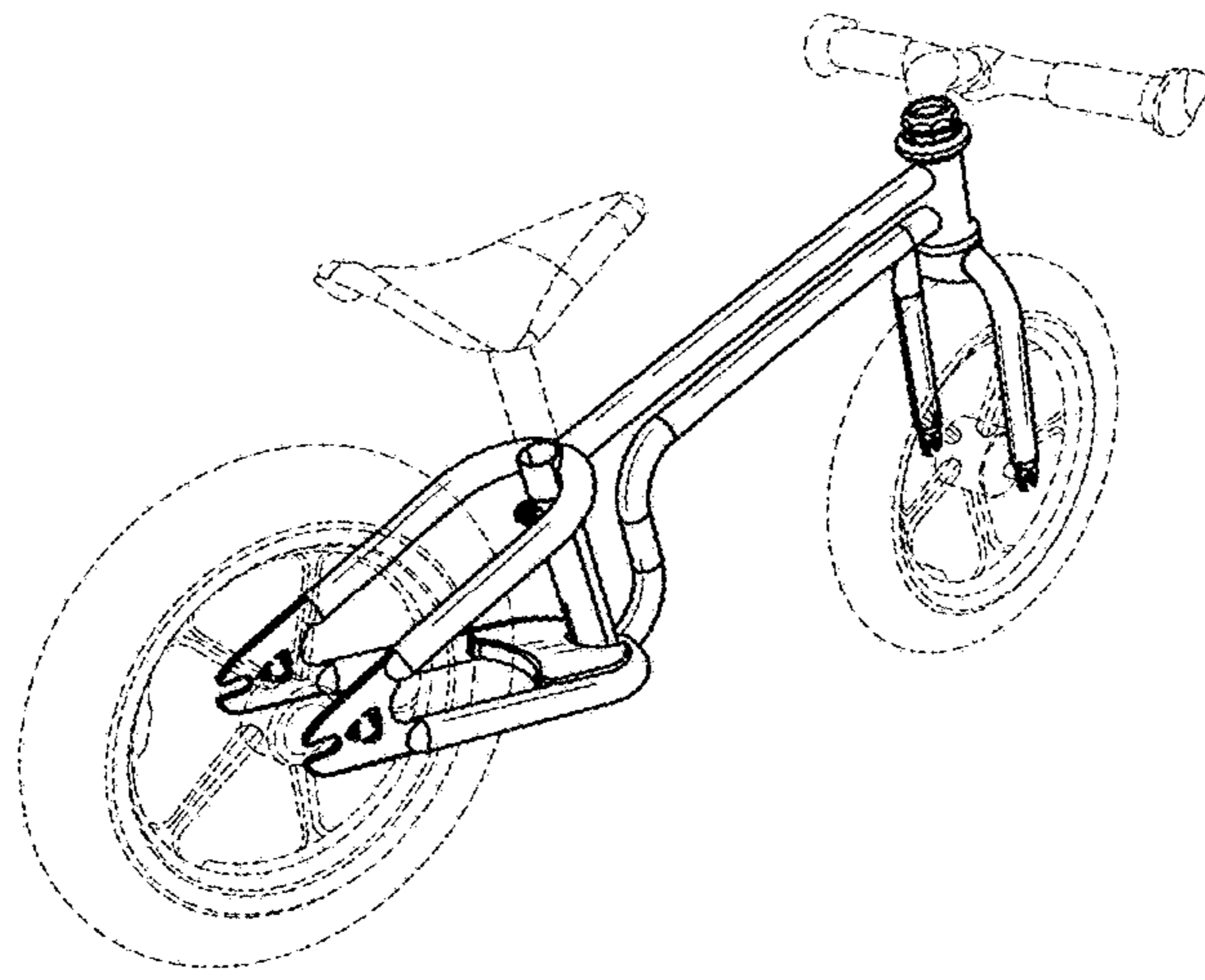


FIG. 1

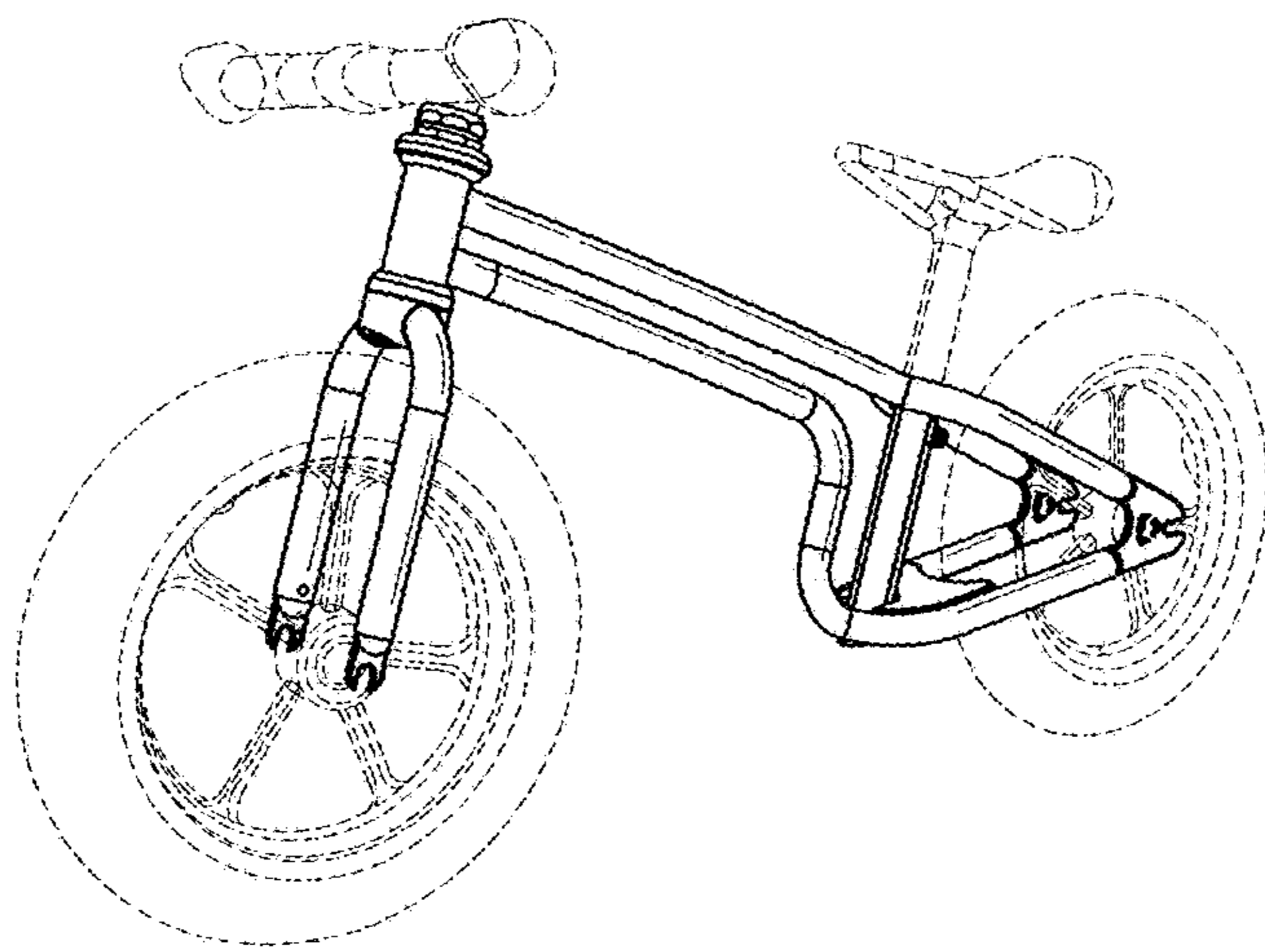


FIG. 2

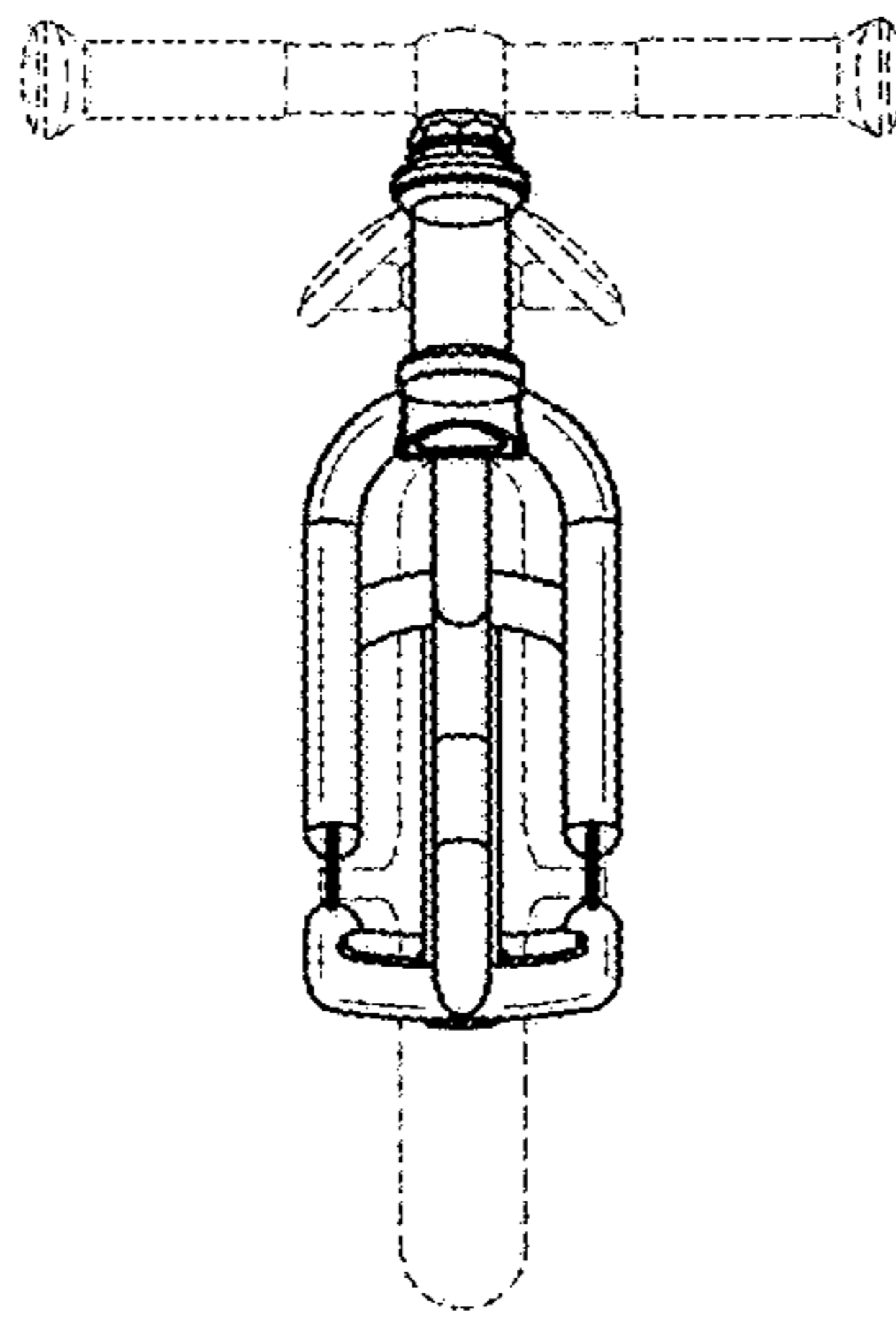


FIG. 3

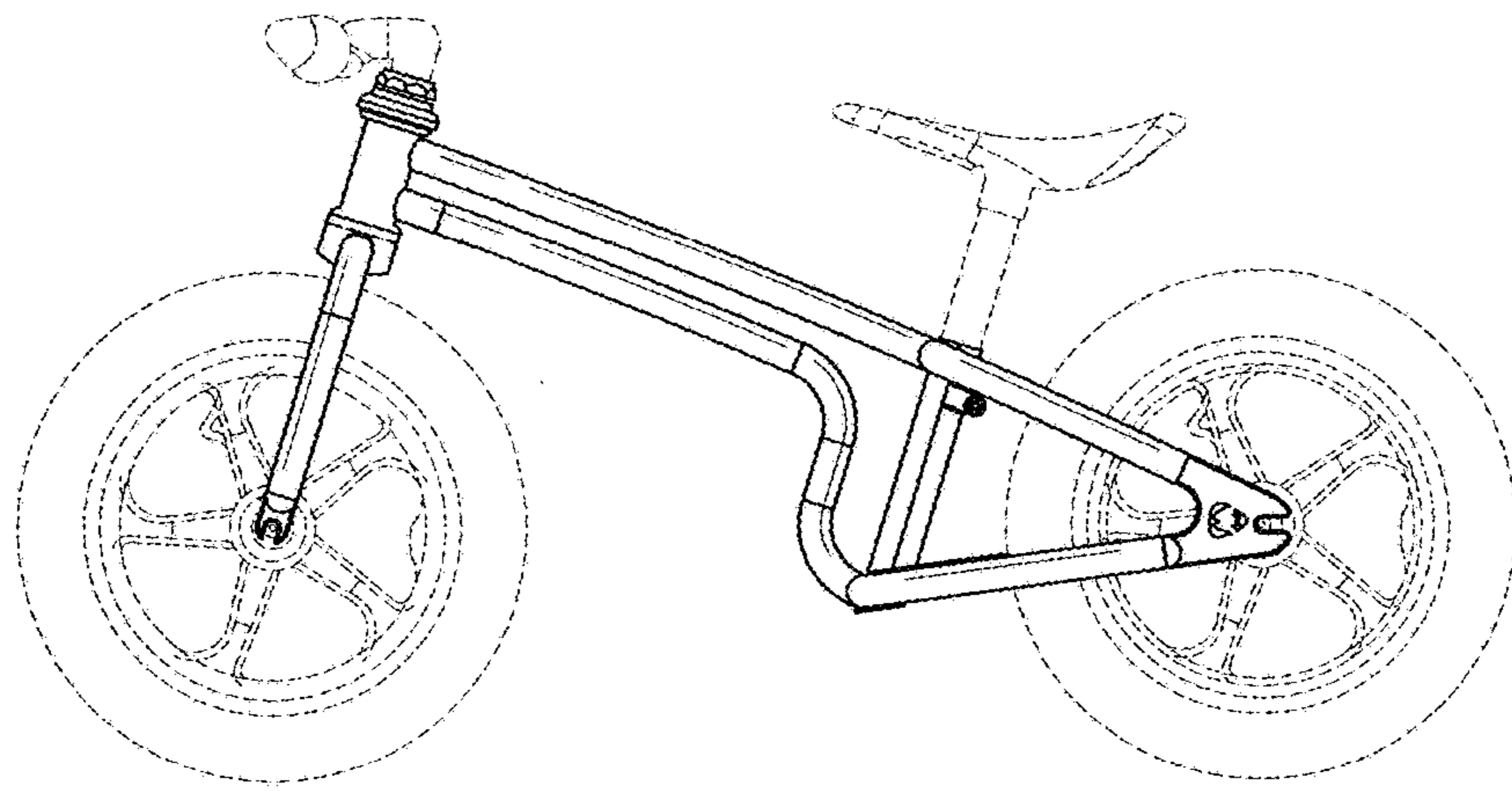


FIG. 4

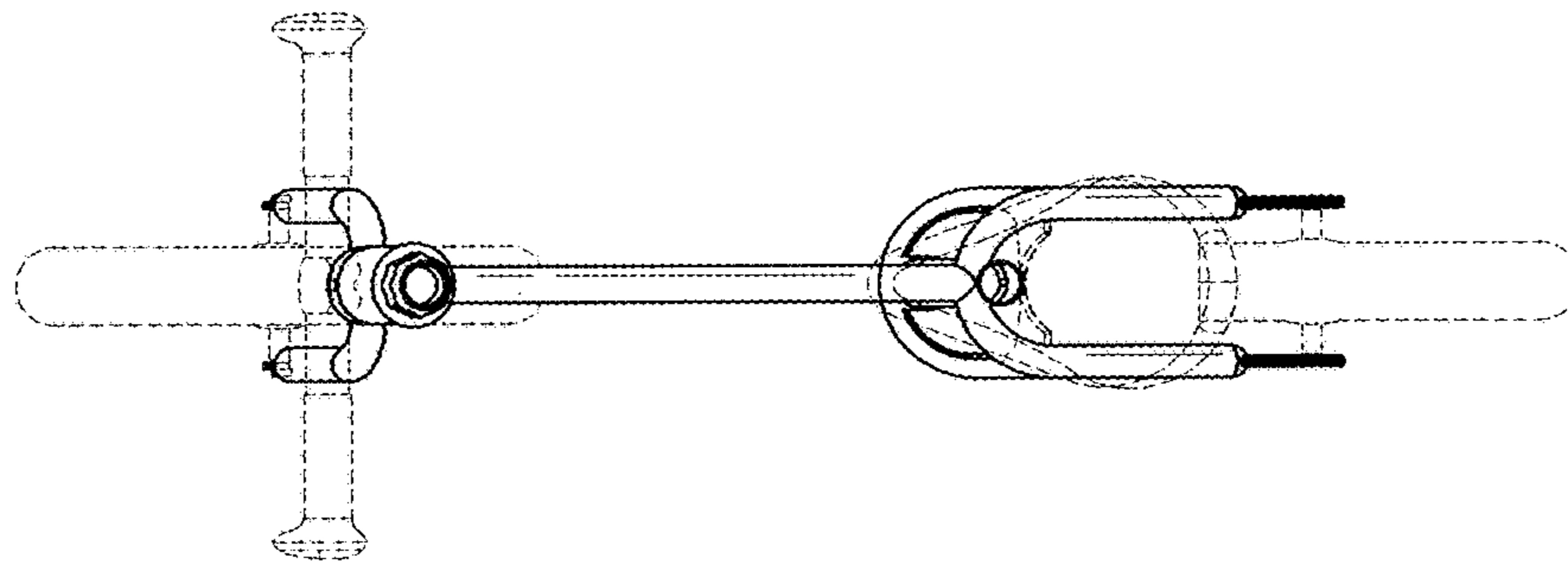


FIG. 5