



US00D840875S

(12) **United States Design Patent**
Lee et al.

(10) **Patent No.:** **US D840,875 S**
(45) **Date of Patent:** **** Feb. 19, 2019**

(54) **MOTOR VEHICLE AND/OR TOY REPLICA THEREOF**

D806,609 S * 1/2018 Lee D12/92
D820,731 S * 6/2018 Suga D12/92
D820,738 S * 6/2018 Suga D12/164

(71) Applicants: **Chung Woo Lee**, Ypsilanti, MI (US);
Ian Richard Cartabiano, Torrance, CA (US); **Takeo Sowa**, Miyoshi (JP); **Kouji Katsuno**, Seto (JP)

OTHER PUBLICATIONS

Netcarshow, Lexus LS 500 (2018), <https://www.netcarshow.com/lexus/2018-ls_500/>, available as early as Feb. 3, 2017.
Netcarshow, Infiniti Q50 (2016), <<https://www.netcarshow.com/infiniti/2016-q50/>>, available as early as Feb. 3, 2017.

(72) Inventors: **Chung Woo Lee**, Ypsilanti, MI (US);
Ian Richard Cartabiano, Torrance, CA (US); **Takeo Sowa**, Miyoshi (JP); **Kouji Katsuno**, Seto (JP)

* cited by examiner

(73) Assignee: **TOYOTA JIDOSHA KABUSHIKI KAISHA** (JP)

Primary Examiner — Melody N Brown

(74) *Attorney, Agent, or Firm* — Saidman DesignLaw Group, LLC

(**) Term: **15 Years**

(21) Appl. No.: **29/638,825**

(57) **CLAIM**

The ornamental design for a motor vehicle and/or toy replica thereof, as shown and described.

(22) Filed: **Mar. 1, 2018**

(51) **LOC (11) Cl.** **12-08**

(52) **U.S. Cl.**
USPC **D12/92**

DESCRIPTION

(58) **Field of Classification Search**
USPC D12/86, 90-92; D21/424, 433, 434;
296/181.1-181.5, 183.1
CPC B62D 25/00; B62D 25/06; B62D 33/00;
B62D 35/00
See application file for complete search history.

FIG. 1 is a left, front perspective view of a motor vehicle and/or toy replica thereof showing our new design;
FIG. 2 is a left, rear perspective view thereof;
FIG. 3 is a right, front perspective view thereof;
FIG. 4 is a right, rear perspective view thereof;
FIG. 5 is a left side view thereof;
FIG. 6 is a right side view thereof;
FIG. 7 is a front view thereof;
FIG. 8 is a rear view thereof; and,
FIG. 9 is a top view thereof.

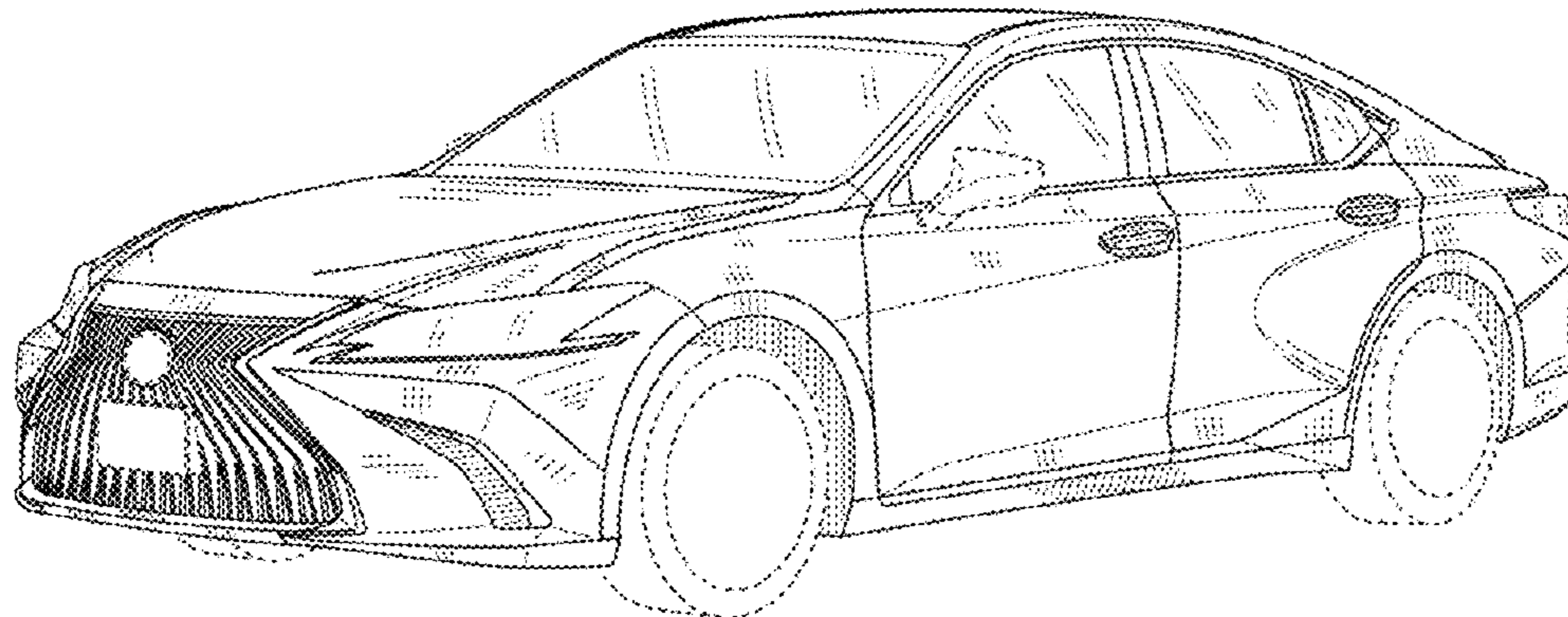
(56) **References Cited**

U.S. PATENT DOCUMENTS

D743,845 S * 11/2015 Hirai D12/92
D761,696 S * 7/2016 Kamiura D12/92
D762,144 S * 7/2016 Nagafuchi D12/92
D781,183 S * 3/2017 Suga D12/92

The broken lines illustrate structure or features which form no part of the claimed design.

1 Claim, 9 Drawing Sheets



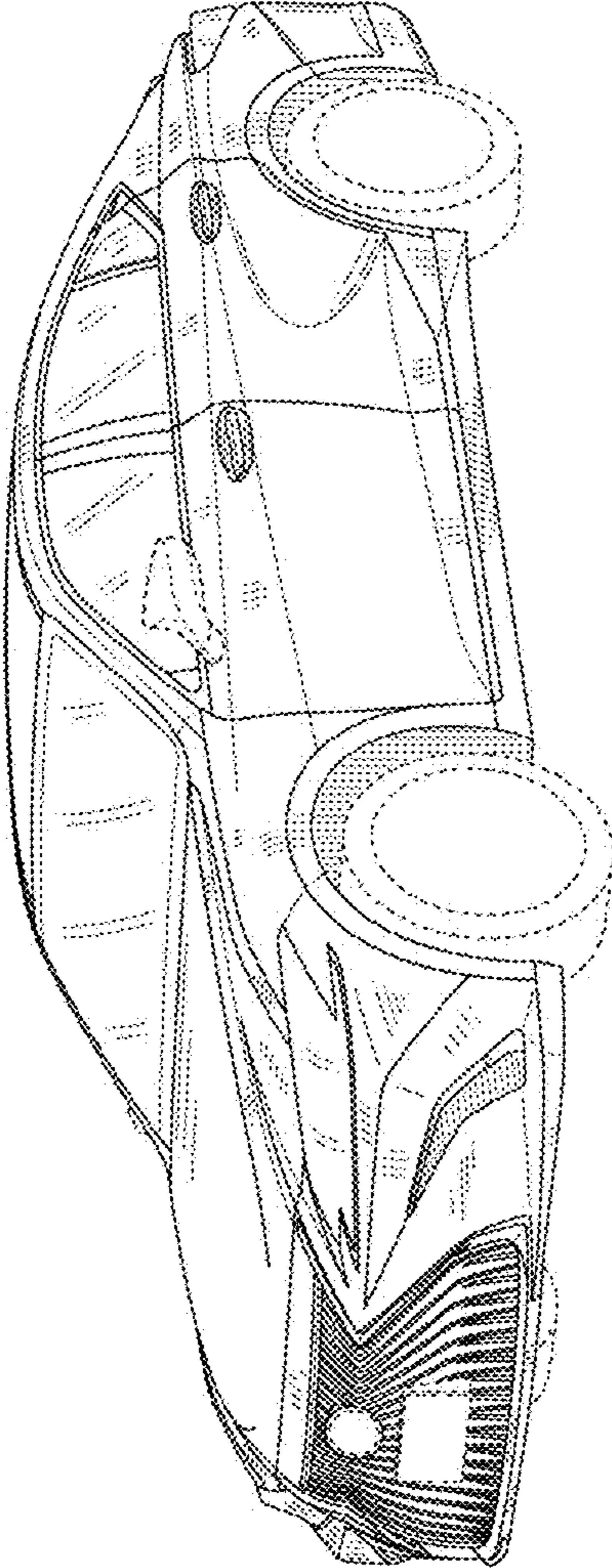


FIG. 1

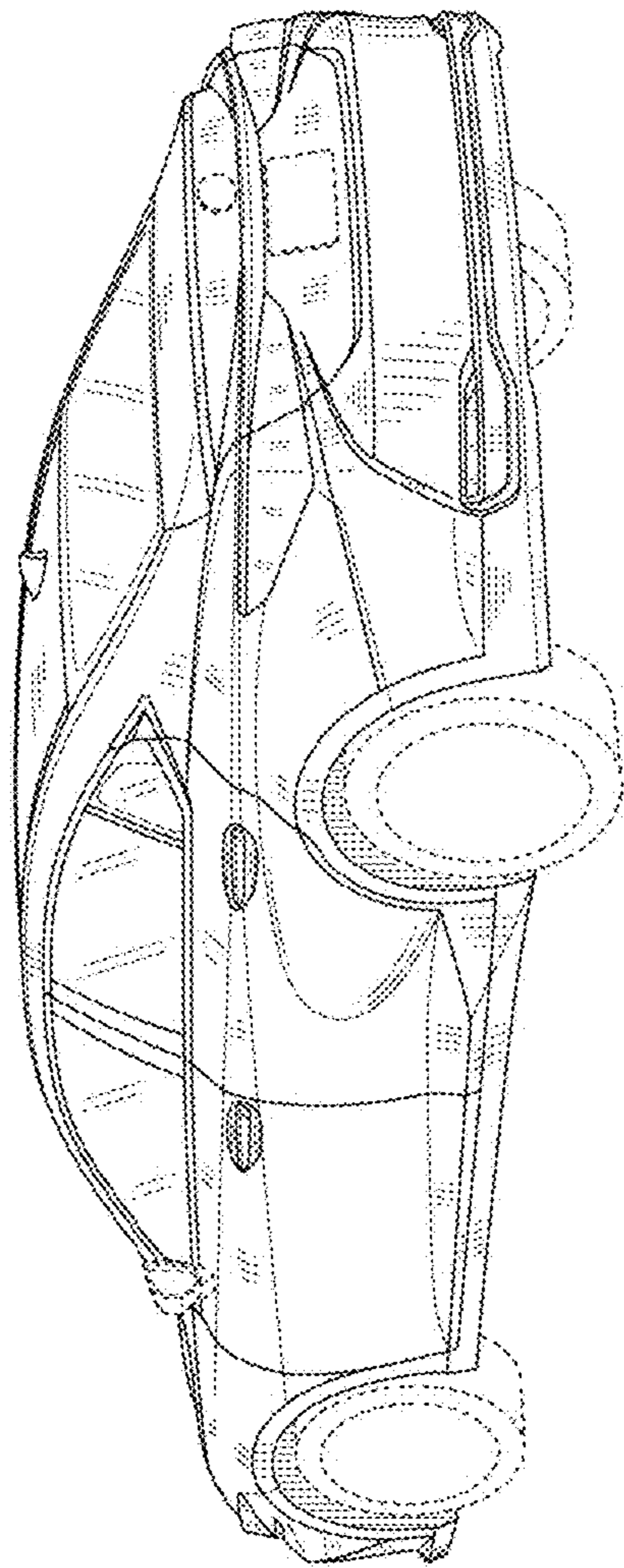


FIG. 2

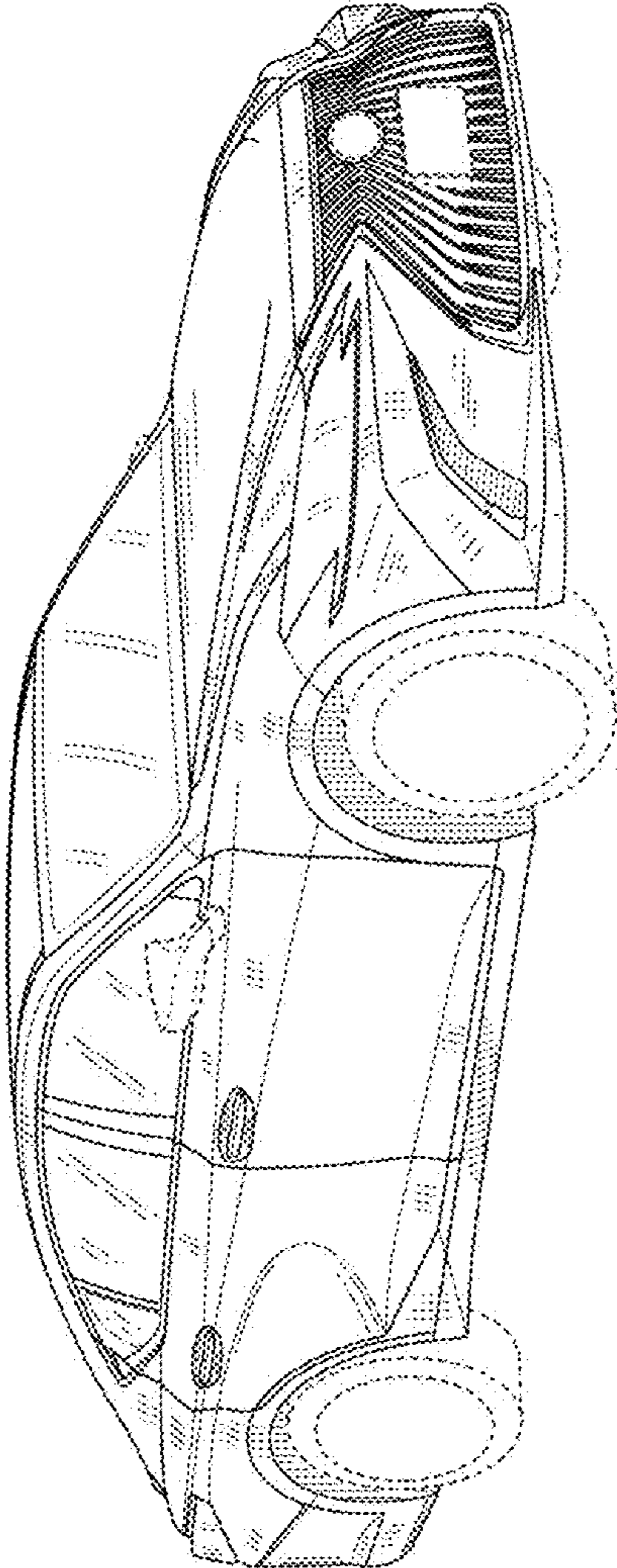


FIG. 3

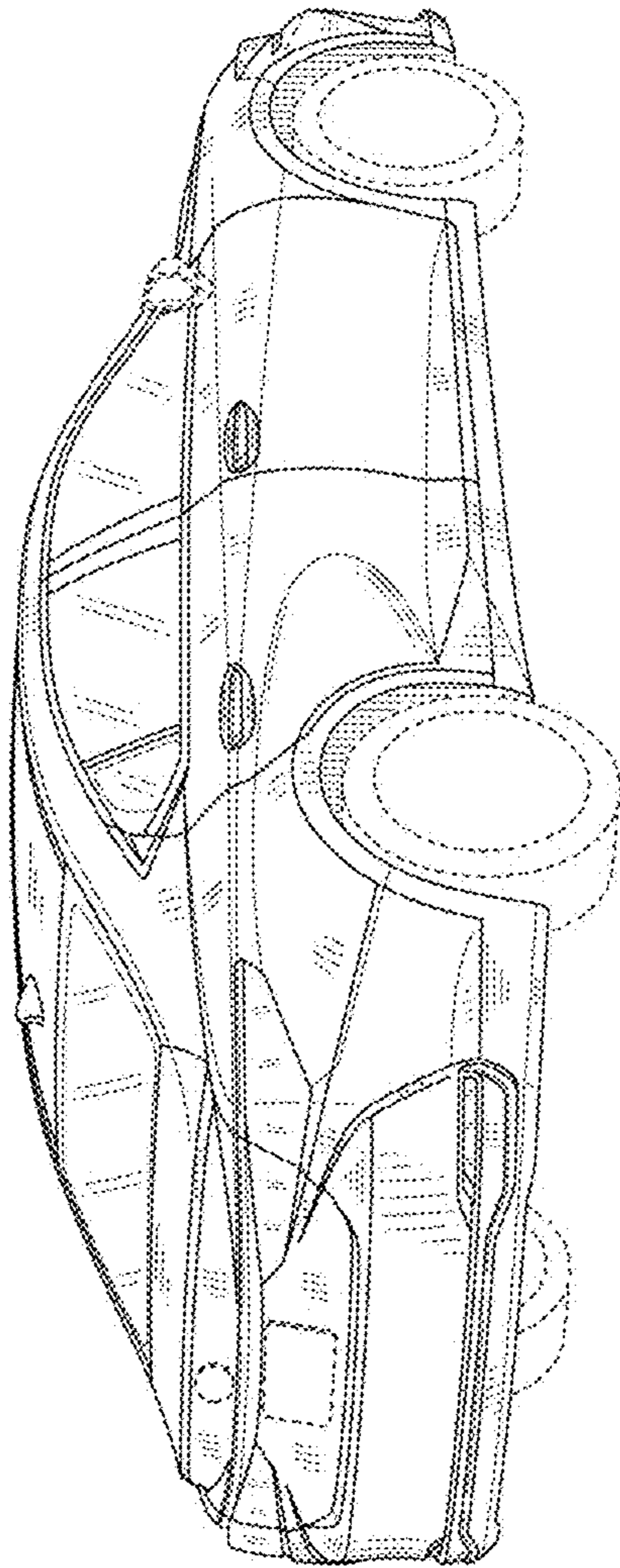


FIG. 4

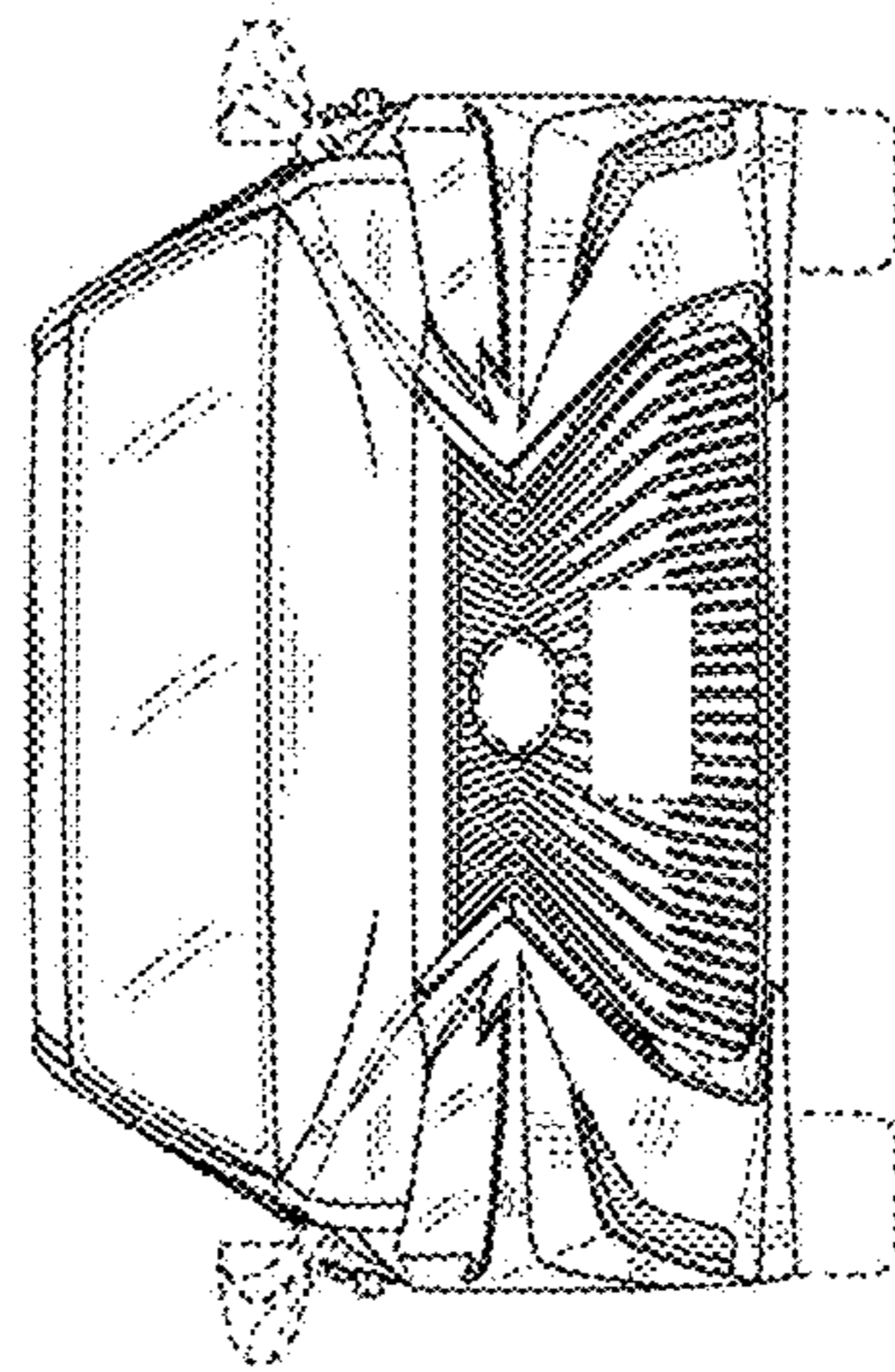


FIG. 5

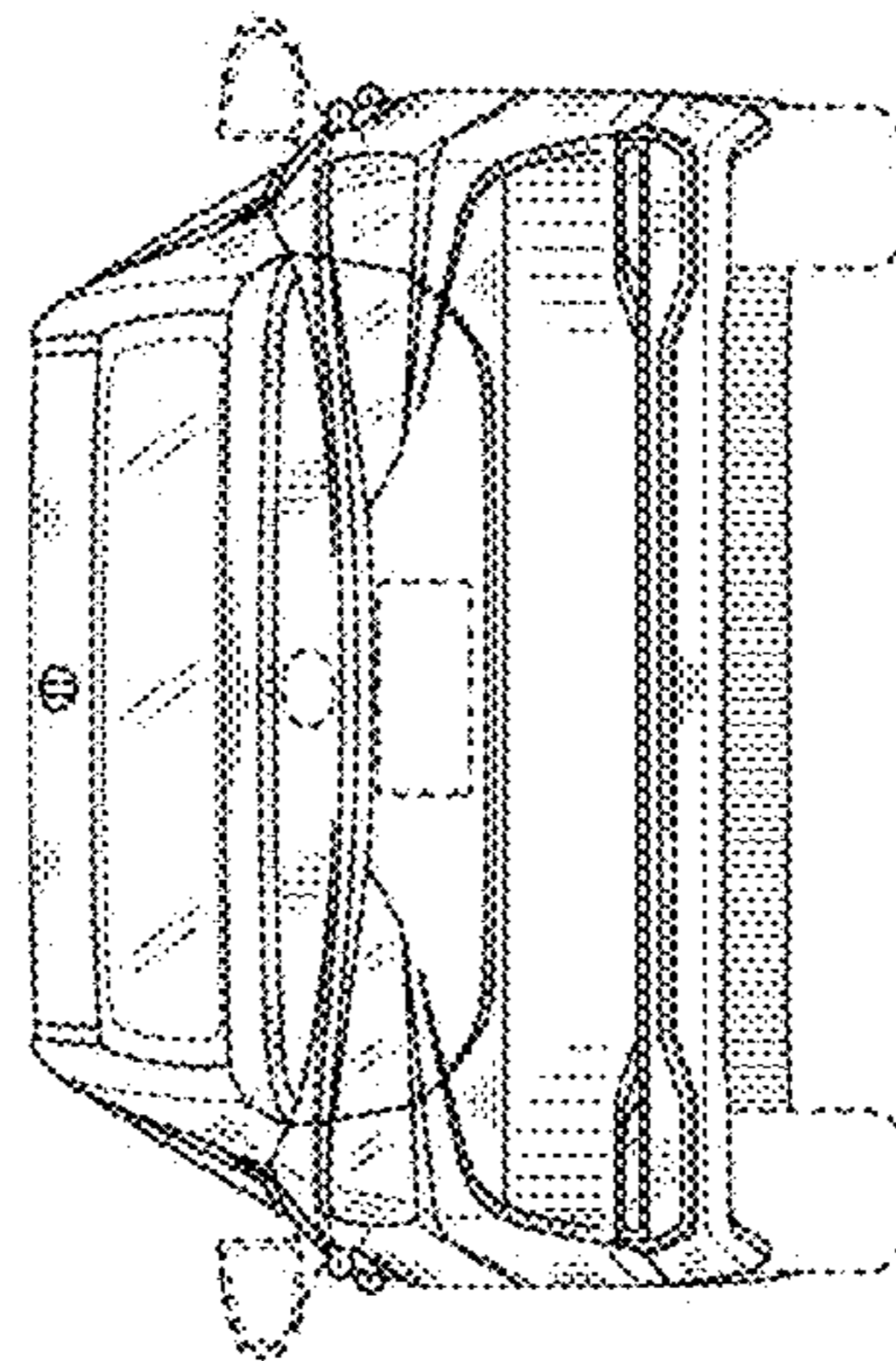


FIG. 6

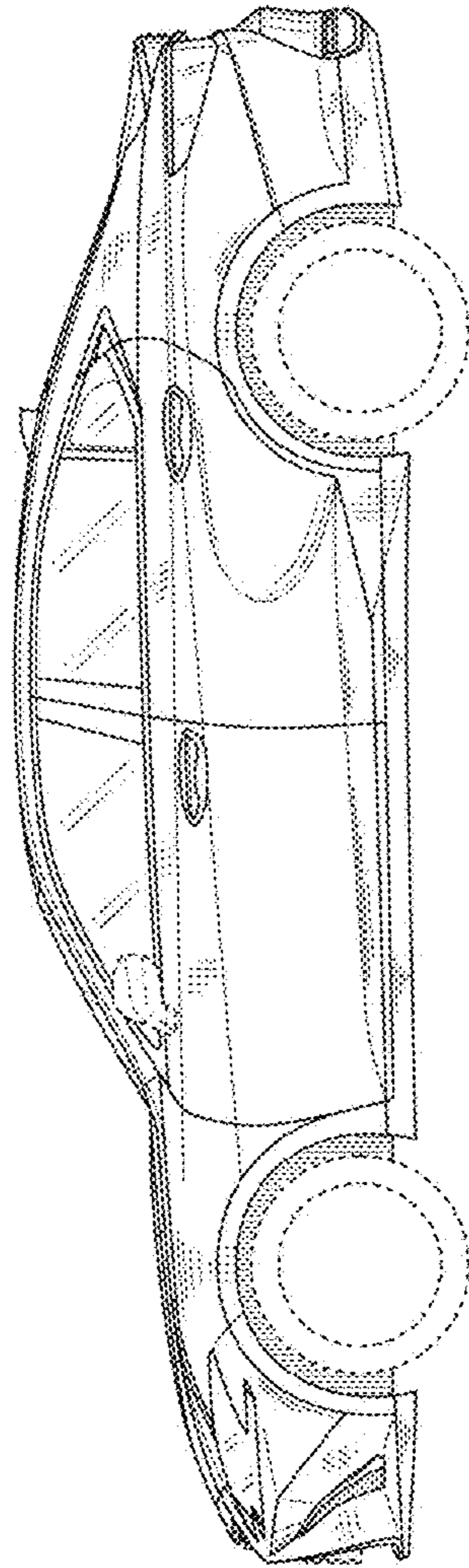


FIG. 7

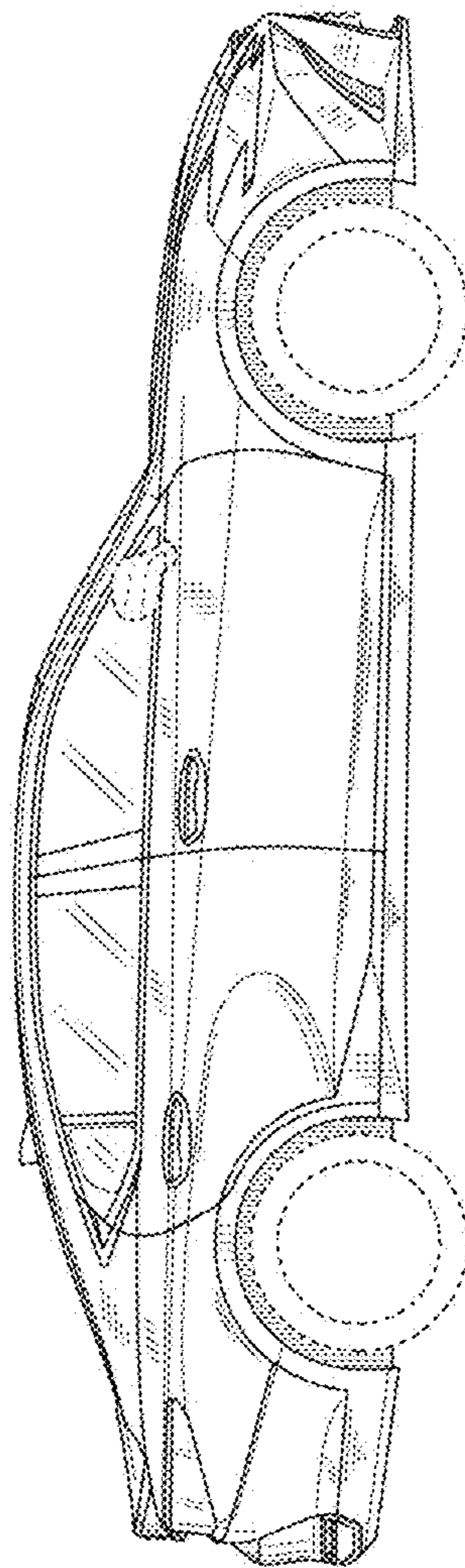


FIG. 8

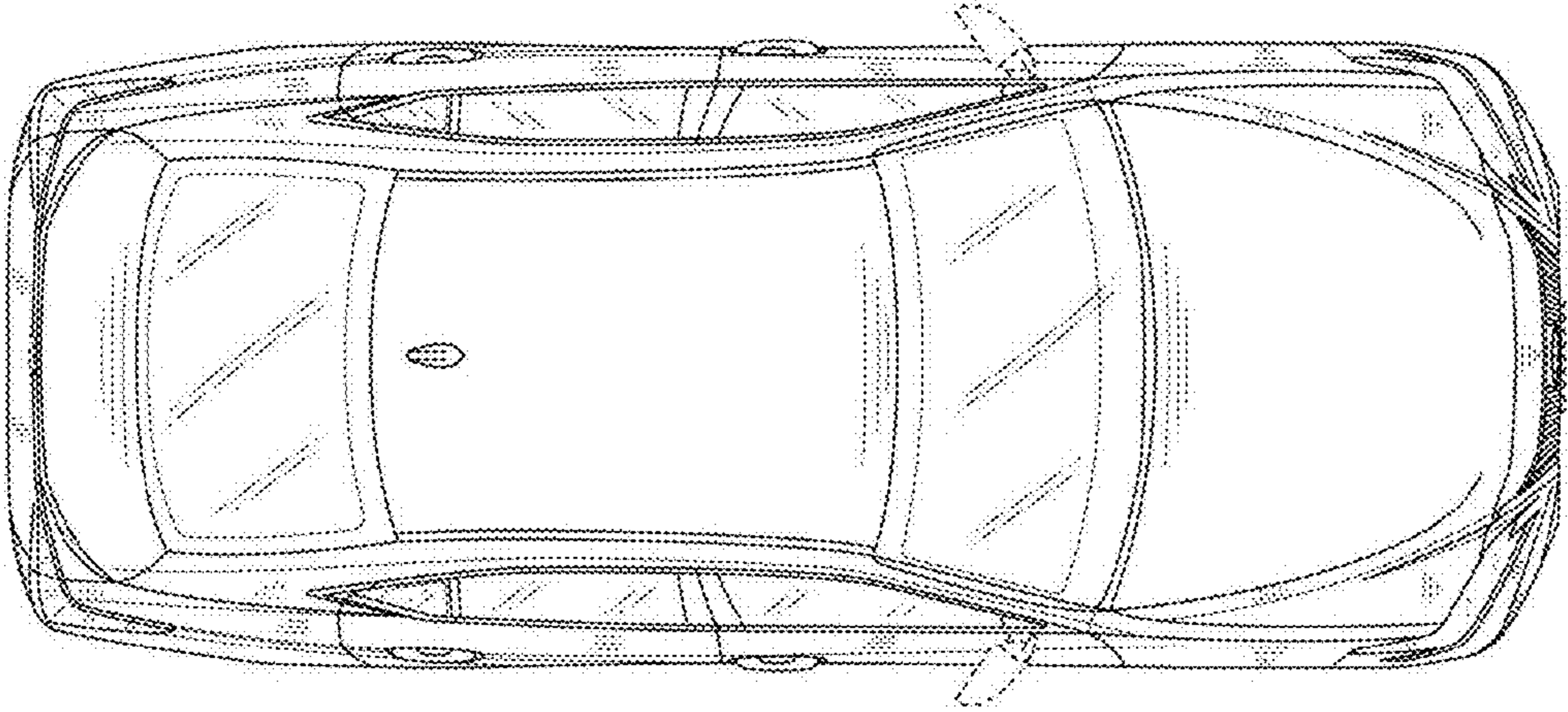


FIG. 9