



US00D840871S

(12) **United States Design Patent**
Leung

(10) **Patent No.:** **US D840,871 S**

(45) **Date of Patent:** **** Feb. 19, 2019**

(54) **SNAP BUTTON**

(71) Applicant: **Ching Fung Apparel Accessories Co. Ltd.**, Hong Kong (CN)

(72) Inventor: **Kwok Yun Gary Leung**, Hong Kong (CN)

(73) Assignee: **Ching Fung Apparel Accessories Co. Ltd.**, Hong Kong (CN)

(**) Term: **15 Years**

(21) Appl. No.: **29/584,430**

(22) Filed: **Nov. 15, 2016**

(30) **Foreign Application Priority Data**

Aug. 12, 2016 (HK) 1601541.6M001
Aug. 12, 2016 (HK) 1601541.6M002

(51) **LOC (11) Cl.** **02-07**

(52) **U.S. Cl.**
USPC **D11/220**

(58) **Field of Classification Search**

USPC D11/220, 22, 226, 218; D8/382, 352,
D8/354, 397-399; 24/1, 681, 689-691,
24/683, 108, 674, 692, 621-623, 671,
24/662, 618, 90.1, 113 R; 292/319
CPC ... A44B 17/0088; A44B 1/08; Y10T 24/3683;
Y10T 24/36; Y10T 24/45178; Y10T
24/45257

See application file for complete search history.

(56) **References Cited**

U.S. PATENT DOCUMENTS

D361,034 S * 8/1995 Strassle D8/397
D473,820 S * 4/2003 Ming D11/220

D477,246 S * 7/2003 Takeda D11/220
D539,698 S * 4/2007 Choi D11/220
D551,960 S * 10/2007 Shinjo D8/397
D659,529 S * 5/2012 Ojanen D8/399
D678,816 S * 3/2013 Chan D11/220

(Continued)

Primary Examiner — Cathron C Brooks

Assistant Examiner — W. A. Teddy Falloway

(74) *Attorney, Agent, or Firm* — Eagle IP Limited;
Jacqueline C. Lui

(57) **CLAIM**

The ornamental design for snap button, as shown.

DESCRIPTION

FIG. 1 is a perspective view of a first embodiment of snap button showing my new design;

FIG. 2 is a front view of the snap button of FIG. 1 thereof;

FIG. 3 is a rear view of the snap button of FIG. 1 thereof;

FIG. 4 is a left side view of the snap button of FIG. 1 thereof;

FIG. 5 is a right side view of the snap button of FIG. 1 thereof;

FIG. 6 is a top view of the snap button of FIG. 1 thereof;

FIG. 7 is a bottom view of the snap button of FIG. 1 thereof;

FIG. 8 is a perspective view of a second embodiment of snap button showing my new design;

FIG. 9 is a front view of the snap button of FIG. 8 thereof;

FIG. 10 is a rear view of the snap button of FIG. 8 thereof;

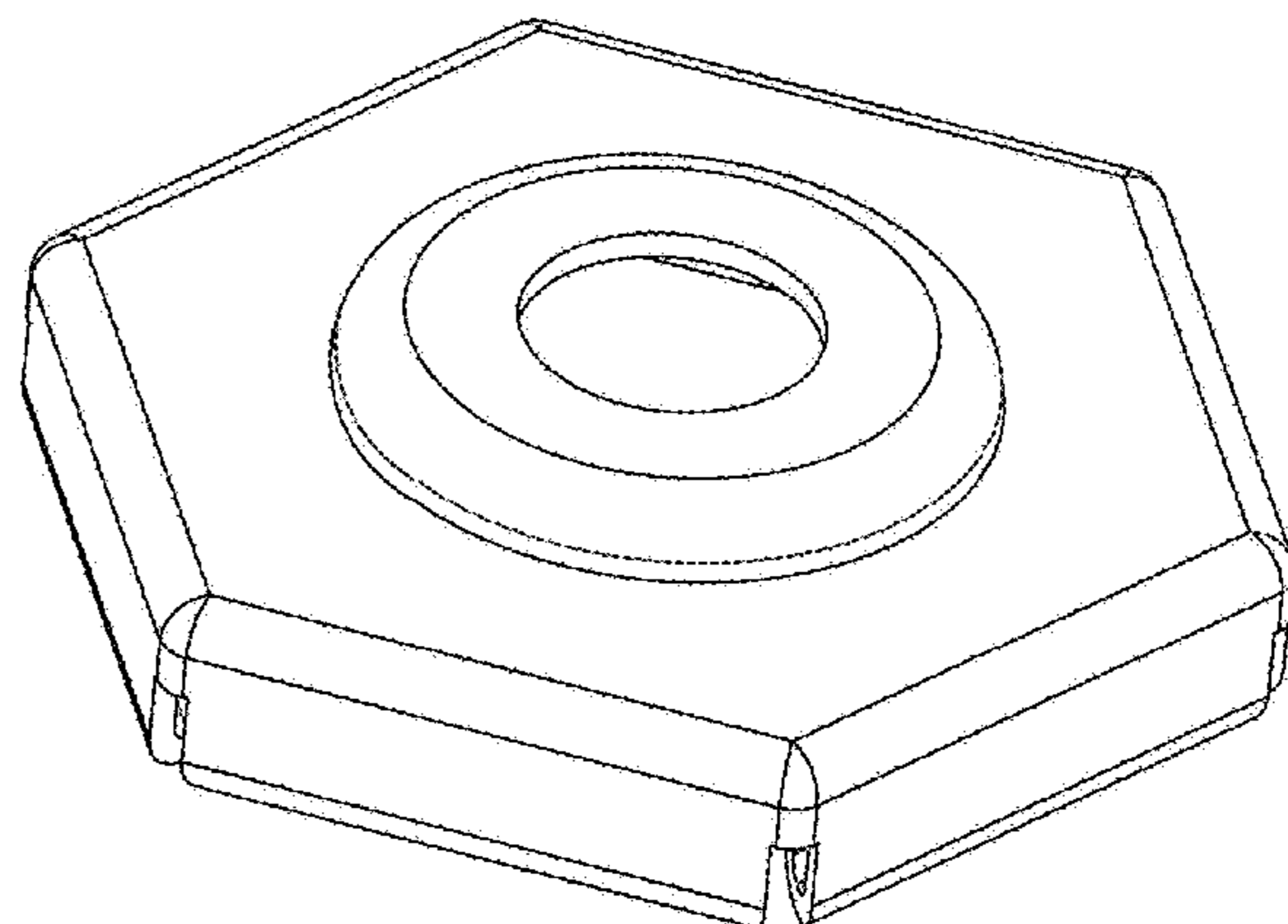
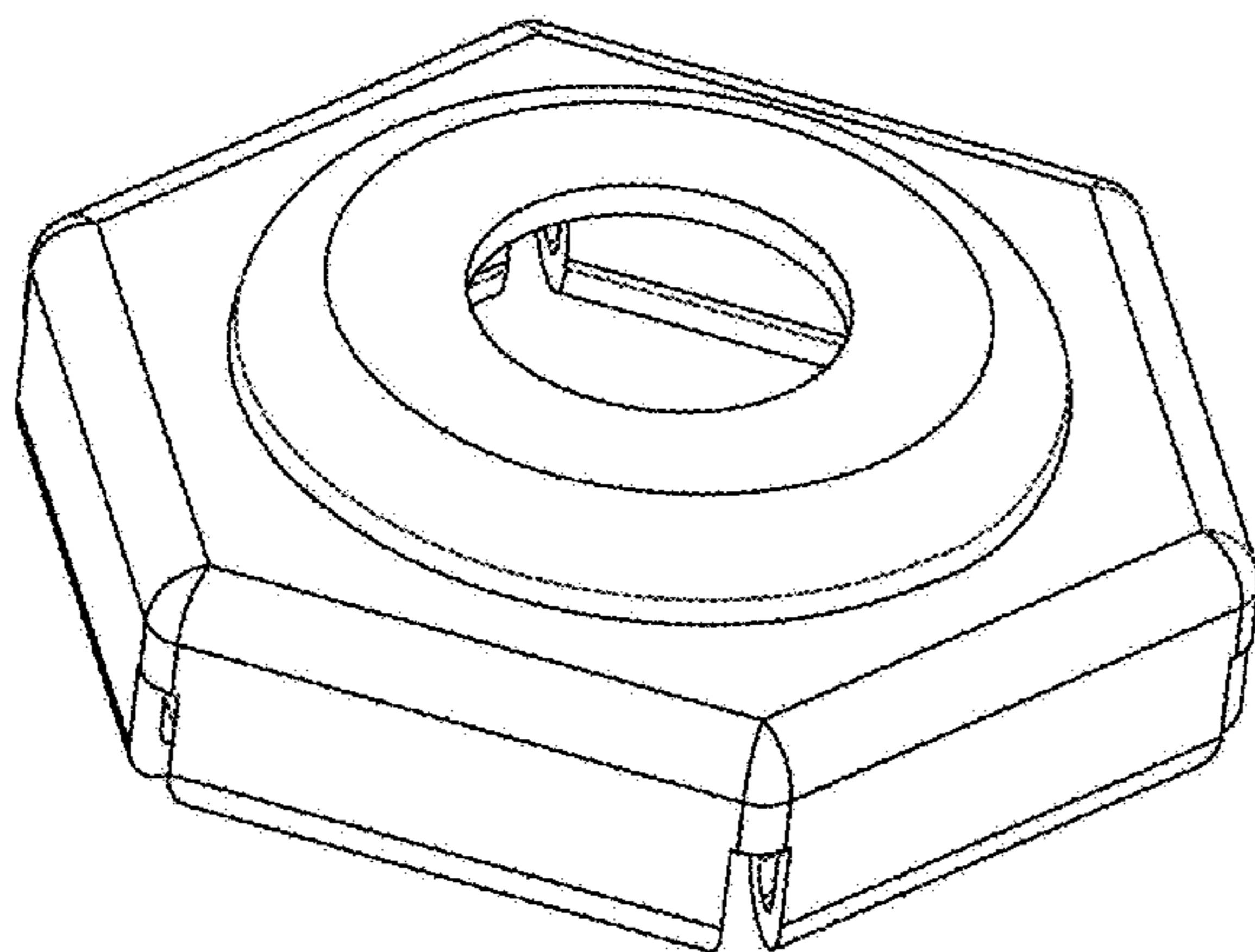
FIG. 11 is a left side view of the snap button of FIG. 8 thereof;

FIG. 12 is a right side view of the snap button of FIG. 8 thereof;

FIG. 13 is a top view of the snap button of FIG. 8 thereof;
and,

FIG. 14 is a bottom view of the snap button of FIG. 8 thereof.

1 Claim, 10 Drawing Sheets



(56)

References Cited

U.S. PATENT DOCUMENTS

D725,461 S * 3/2015 Kopp D8/397
D728,420 S * 5/2015 Leung D11/220
2010/0058898 A1* 3/2010 Liu B25B 15/008
81/177.2
2011/0283496 A1* 11/2011 Taniguchi A44B 17/0029
24/697.1
2012/0297586 A1* 11/2012 Hasegawa A44B 17/0023
24/591.1
2017/0119106 A1* 5/2017 Leslie A41B 9/007

* cited by examiner

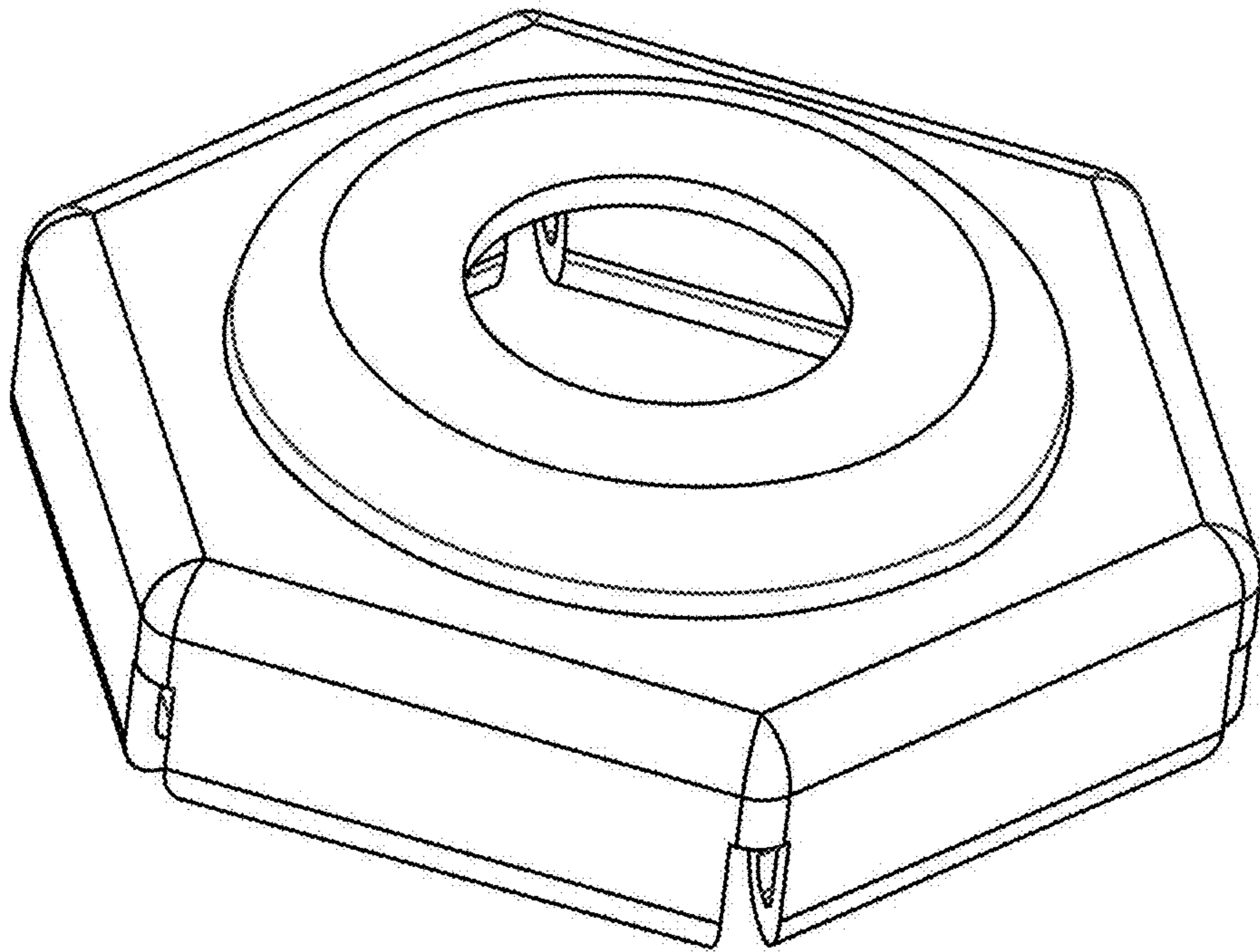


Fig. 1

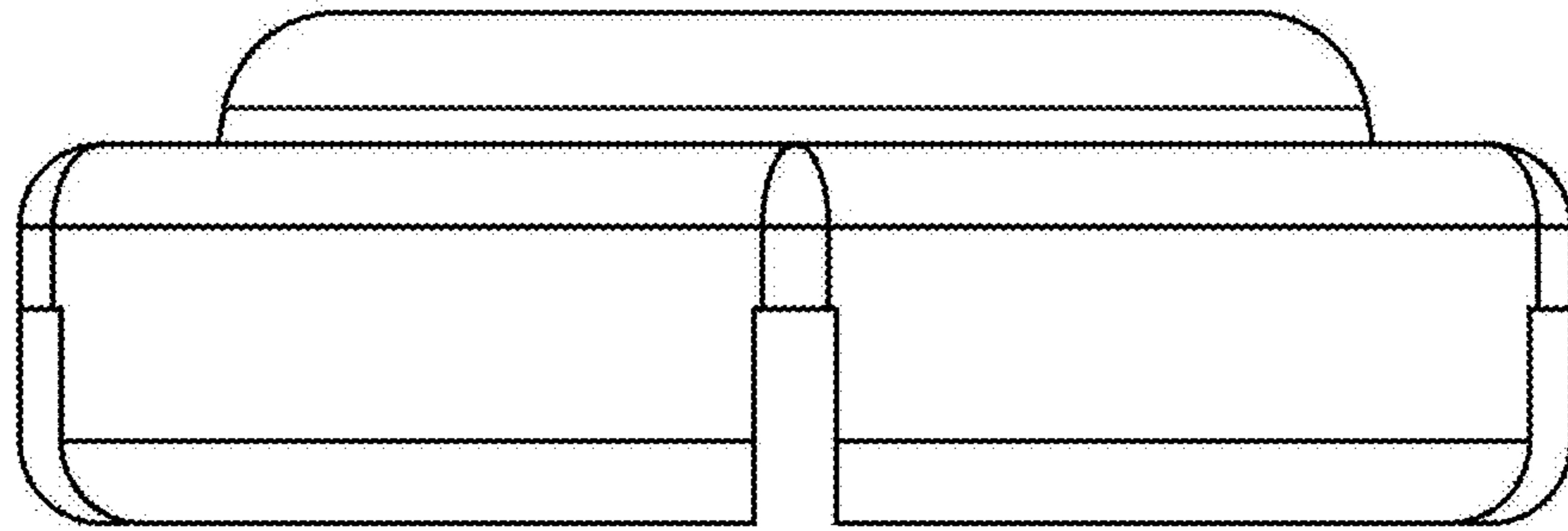


Fig. 2

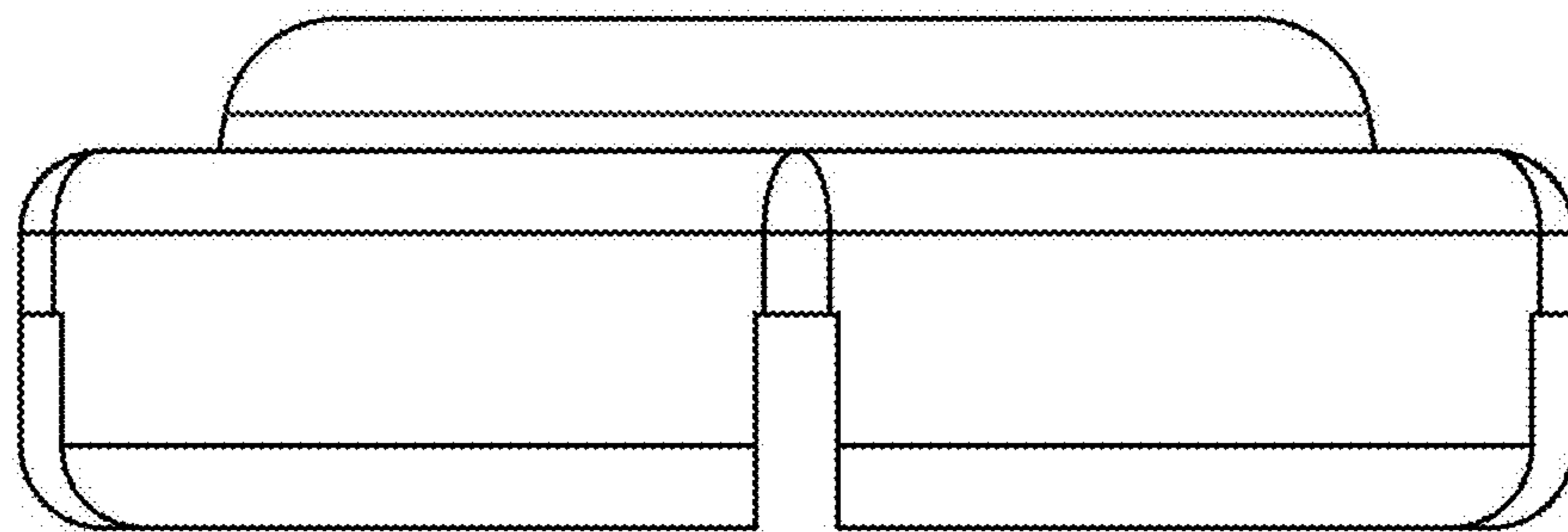


Fig. 3

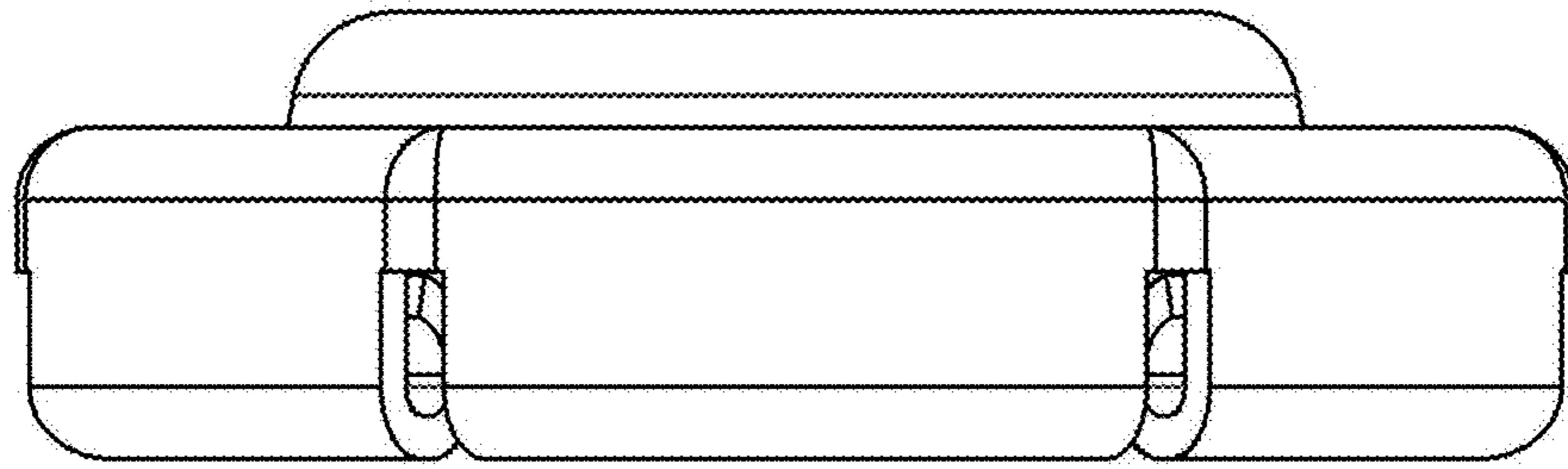


Fig. 4

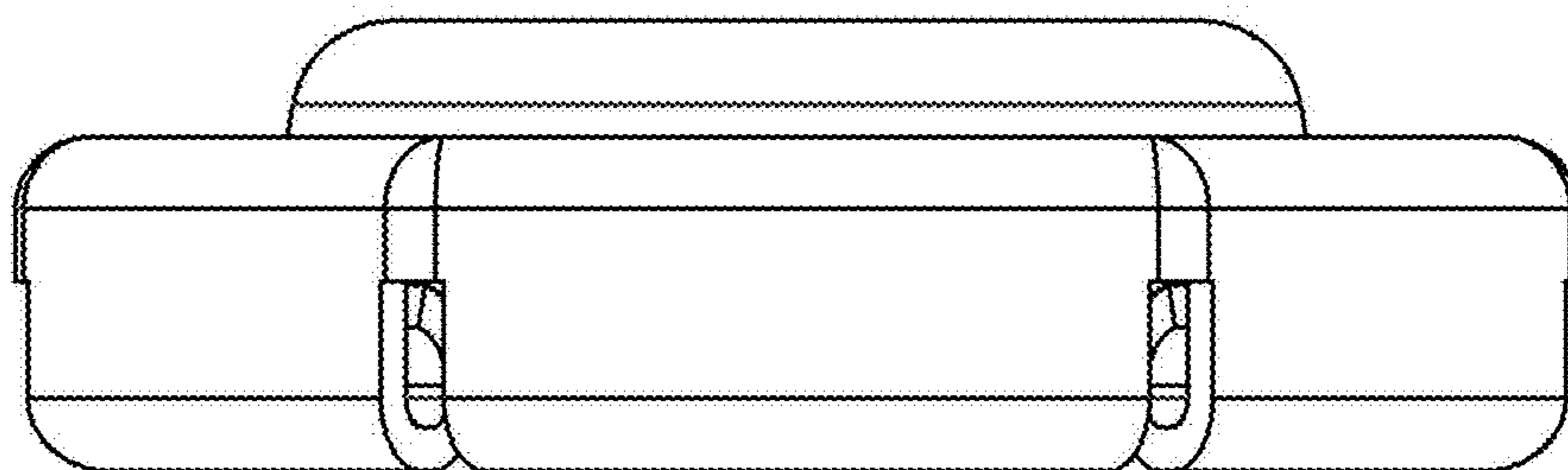


Fig. 5

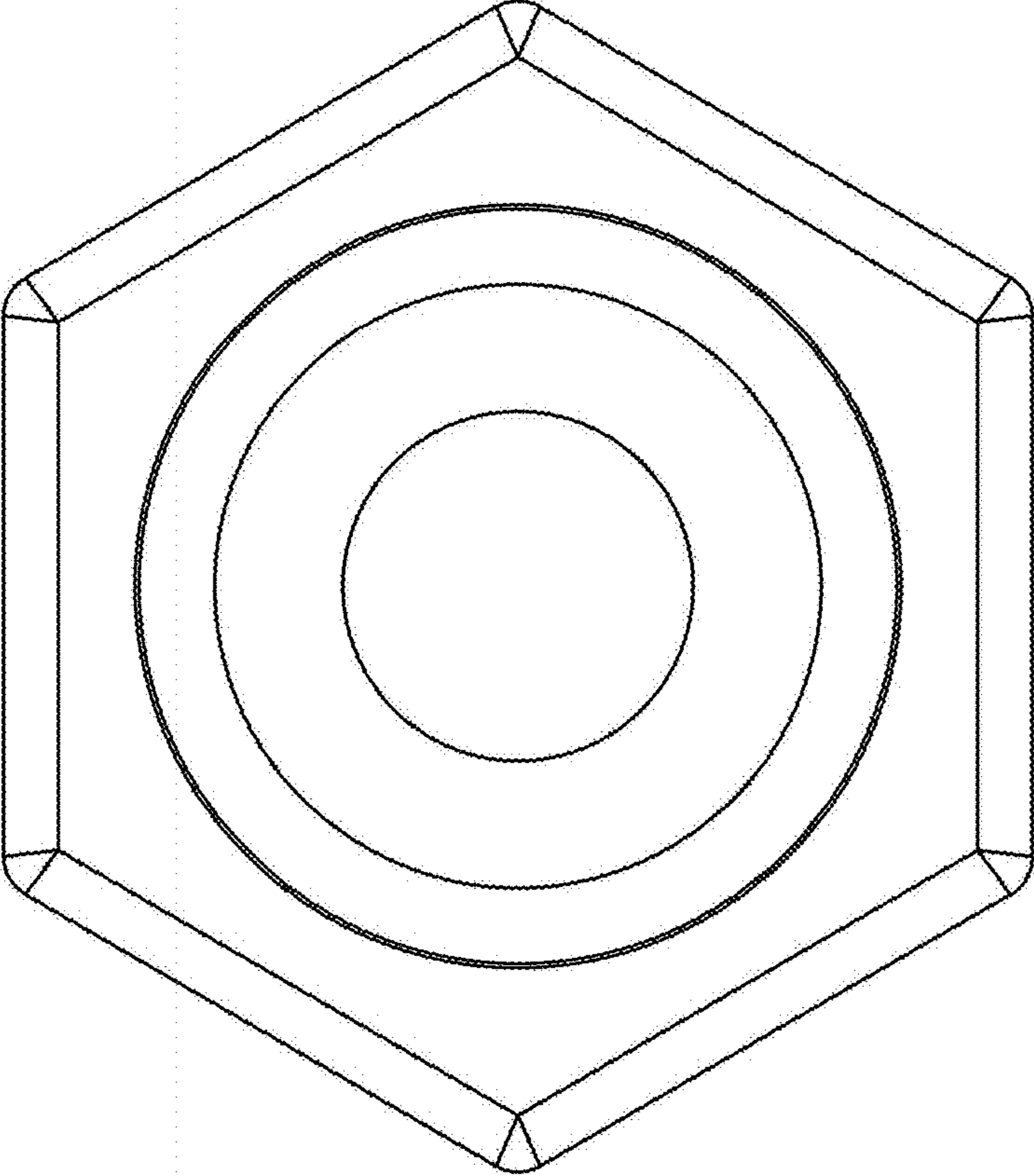


Fig. 6

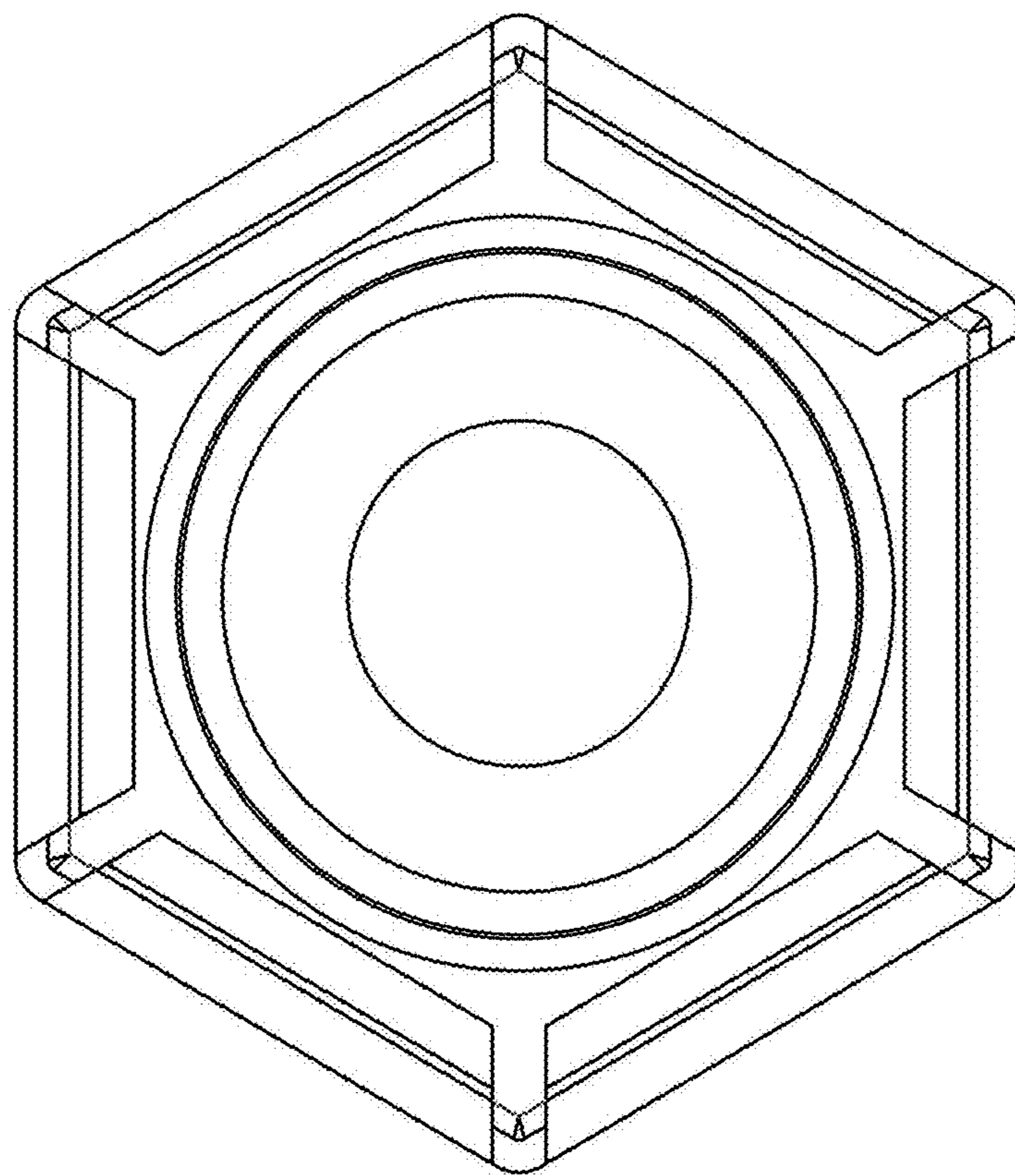


Fig. 7

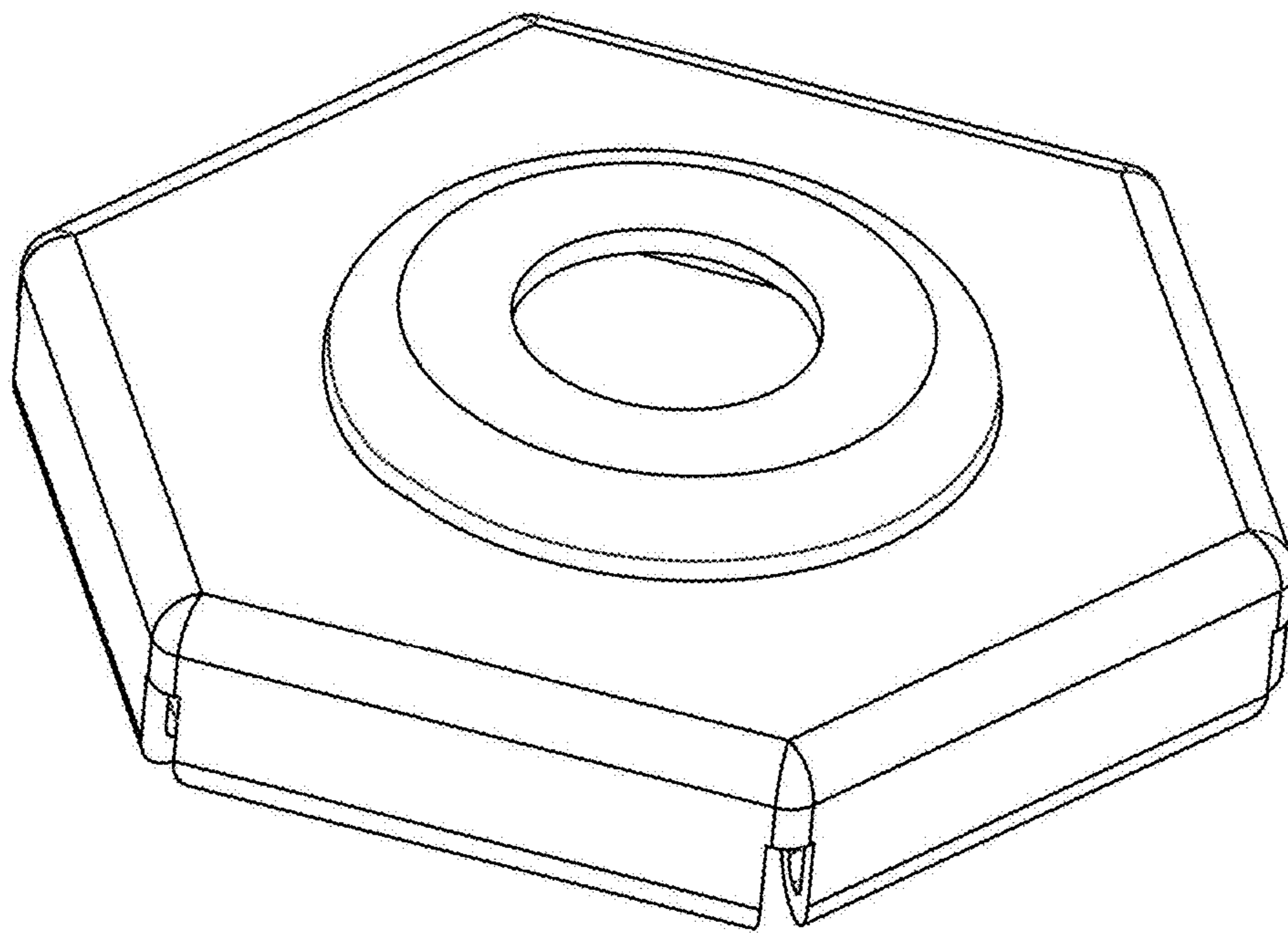


Fig. 8

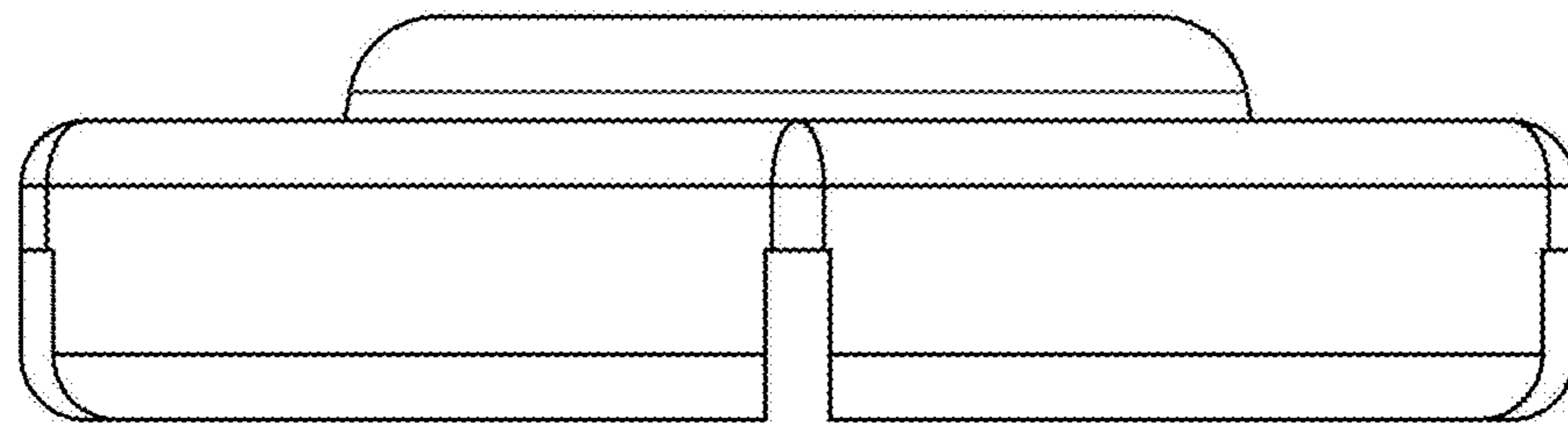


Fig. 9

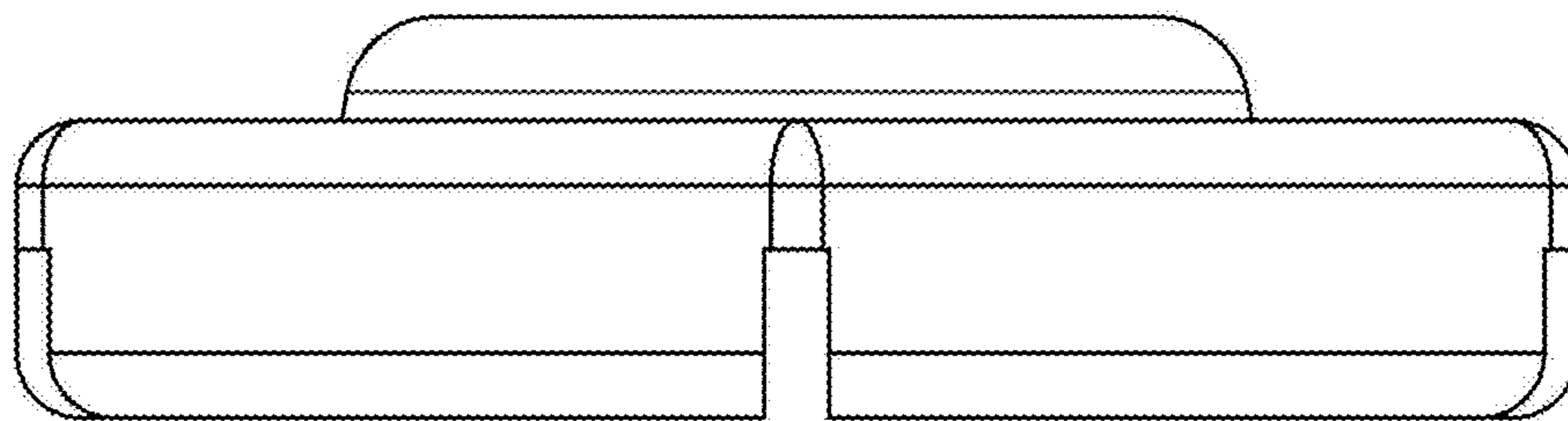


Fig. 10

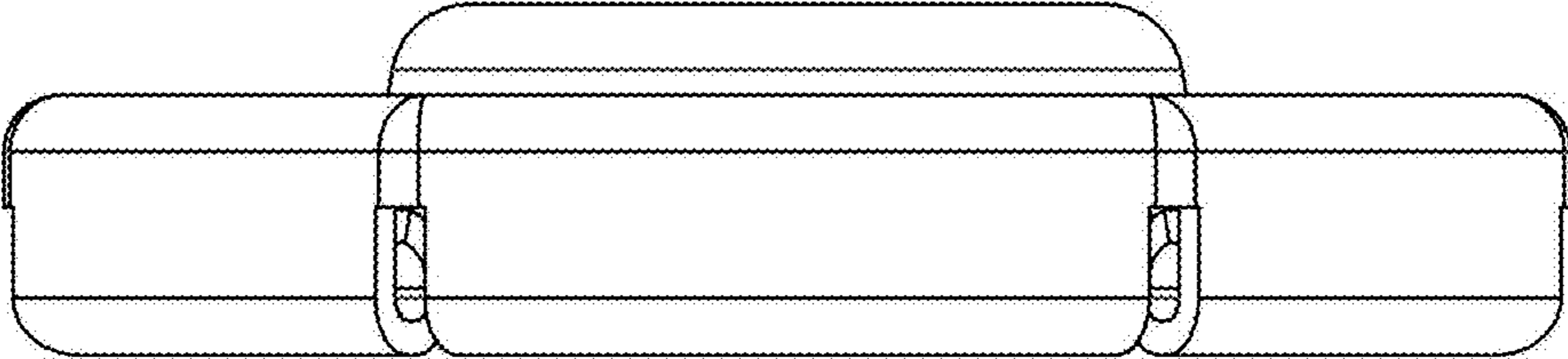


Fig. 11

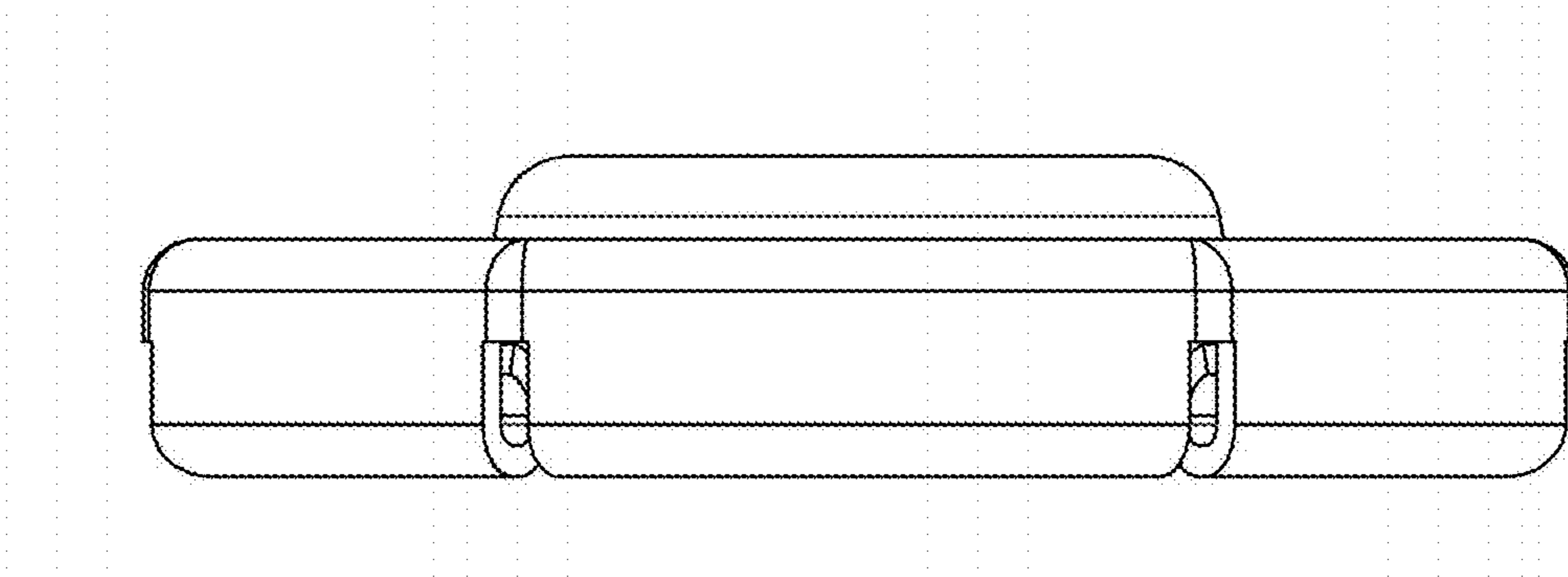


Fig. 12

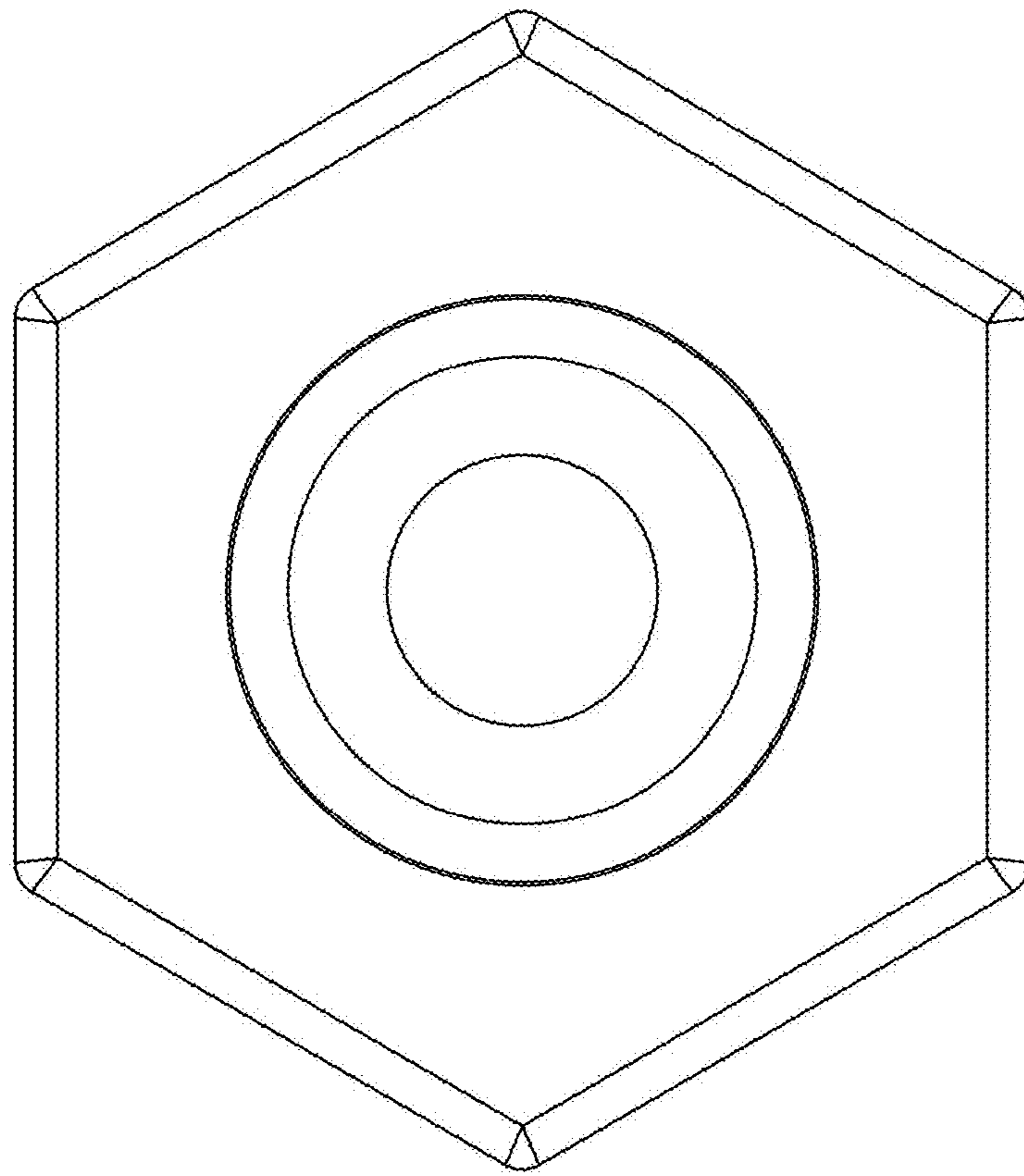


Fig. 13

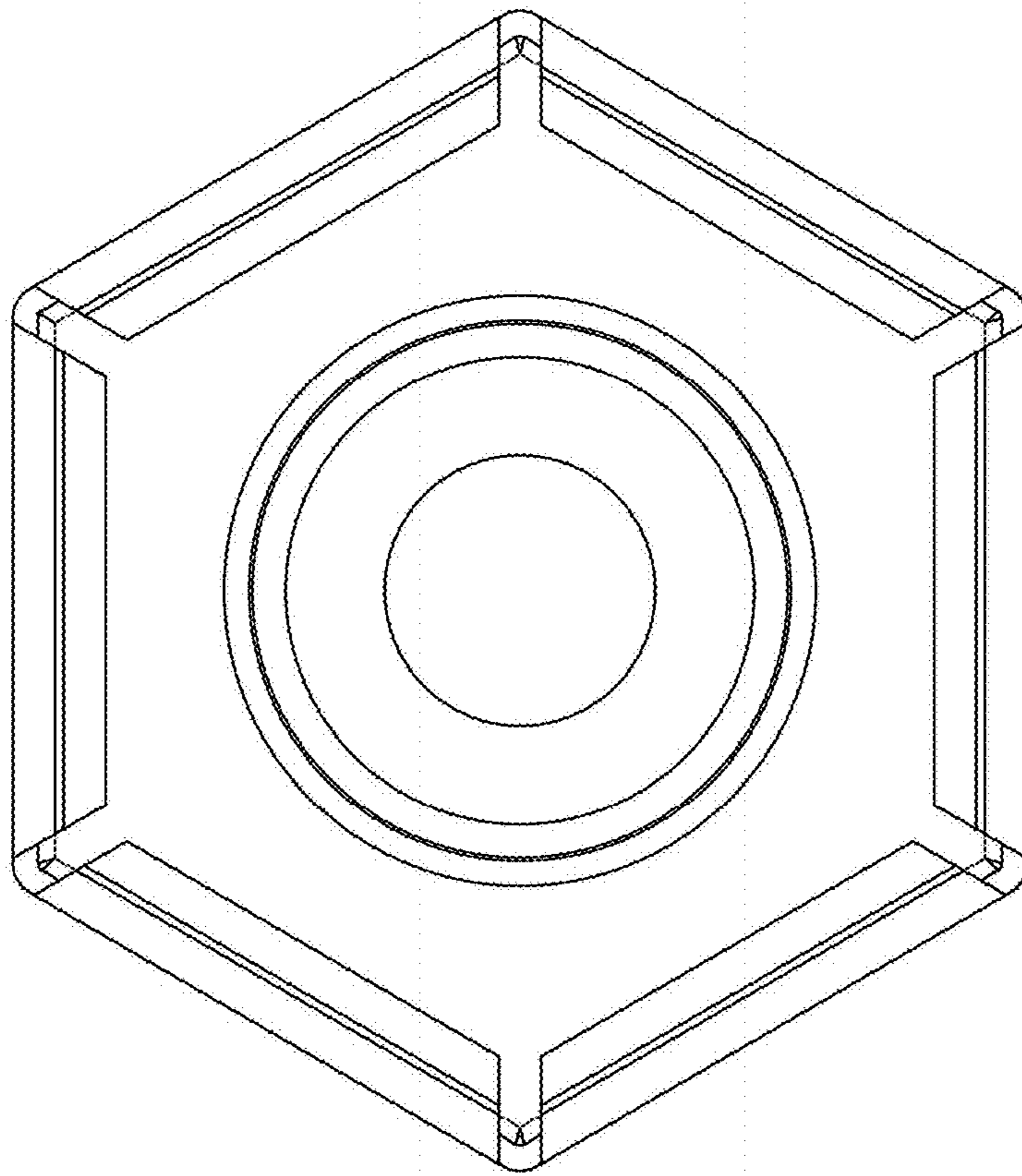


Fig. 14