



US00D840870S

(12) **United States Design Patent**  
**Koreishi**

(10) **Patent No.:** **US D840,870 S**

(45) **Date of Patent:** **\*\* Feb. 19, 2019**

(54) **BUCKLE**  
(71) Applicant: **NIFCO INC.**, Kanagawa (JP)  
(72) Inventor: **Namiko Koreishi**, Yokosuka (JP)  
(73) Assignee: **NIFCO INC.**, Yokosuka-shi, Kanagawa (JP)

(\*\*) Term: **15 Years**

(21) Appl. No.: **35/502,949**

(22) Filed: **Feb. 15, 2017**

(80) **Hague Agreement Data**

Int. Filing Date: **Feb. 15, 2017**

Int. Reg. No.: **DM/095812**

Int. Reg. Date: **Feb. 15, 2017**

Int. Reg. Pub. Date: **May 12, 2017**

(51) **LOC (11) Cl.** ..... **02-07**

(52) **U.S. Cl.**  
USPC ..... **D11/218**

(58) **Field of Classification Search**  
USPC ..... D11/200, 201, 206-210, 214-218;  
24/163 R, 169-171, 173, 177-179, 191,  
24/194, 195, 198, 200, 614-616, 625,  
24/578.11, 578.1, 163 K, 114  
CPC ..... A44B 11/00; A44B 11/02; A44B 11/04;  
A44B 11/25; A44B 11/2526; A44B 11/26;  
A44B 17/00; A44B 21/00; A41F 19/00  
See application file for complete search history.

(56) **References Cited**

**U.S. PATENT DOCUMENTS**

D46,861 S \* 1/1915 Christi ..... D11/218  
1,437,250 A \* 11/1922 Kerngood ..... A44B 11/10  
24/194  
2,343,118 A \* 2/1944 White ..... A44B 11/04  
24/198

D328,044 S \* 7/1992 Murai ..... 24/169  
D340,008 S \* 10/1993 Anscher ..... D11/218  
D398,262 S \* 9/1998 Anscher ..... D11/218  
D421,578 S \* 3/2000 Anscher ..... D11/218  
D446,473 S \* 8/2001 Chung ..... D11/218  
D452,185 S \* 12/2001 Yoshiguchi ..... D11/218  
D471,132 S \* 3/2003 Murata ..... D11/218  
D483,294 S \* 12/2003 Uehara ..... D11/218  
D491,103 S \* 6/2004 Uehara ..... D11/218  
D507,763 S \* 7/2005 Kaneko ..... D11/218  
D563,270 S \* 3/2008 Zeng ..... D11/218  
D648,653 S \* 11/2011 Kadoishi ..... D11/218  
D649,907 S \* 12/2011 Kataguchi ..... D11/218  
D650,720 S \* 12/2011 Park ..... D11/218  
D668,580 S \* 10/2012 Kax ..... D11/218  
D683,263 S \* 5/2013 Paik ..... D11/218  
D702,151 S \* 4/2014 Kaneko ..... D11/218  
D703,097 S \* 4/2014 Nanbu ..... D11/218  
D703,100 S \* 4/2014 Saitsu ..... D11/218  
D721,010 S \* 1/2015 Spater ..... D11/218  
D729,689 S \* 5/2015 Kelleghan ..... D11/218  
D731,919 S \* 6/2015 Kung ..... D11/218  
D731,920 S \* 6/2015 Kung ..... D11/218  
D731,921 S \* 6/2015 Kung ..... D11/218  
D741,148 S \* 10/2015 Liu ..... D11/218

(Continued)

*Primary Examiner* — Melanie Pellegrini

(74) *Attorney, Agent, or Firm* — Banner & Witcoff, Ltd.

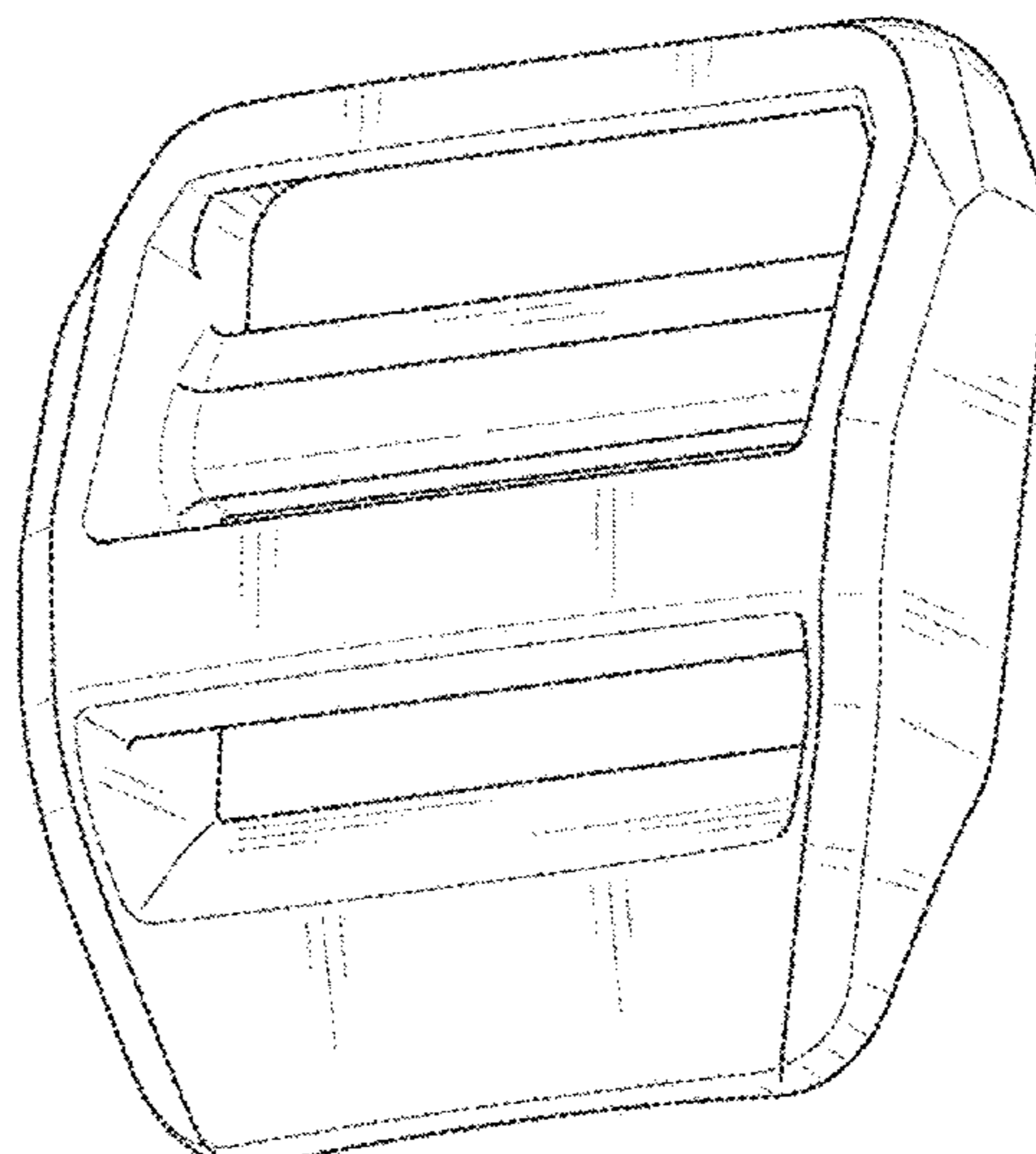
(57) **CLAIM**

The ornamental design for a buckle, as shown and described.

**DESCRIPTION**

1.1-1.7 Buckle  
**1.1** : Perspective  
**1.2** : Front  
**1.3** : Back  
**1.4** : Top  
**1.5** : Bottom  
**1.6** : Left  
**1.7** : Right

**1 Claim, 7 Drawing Sheets**



(56)

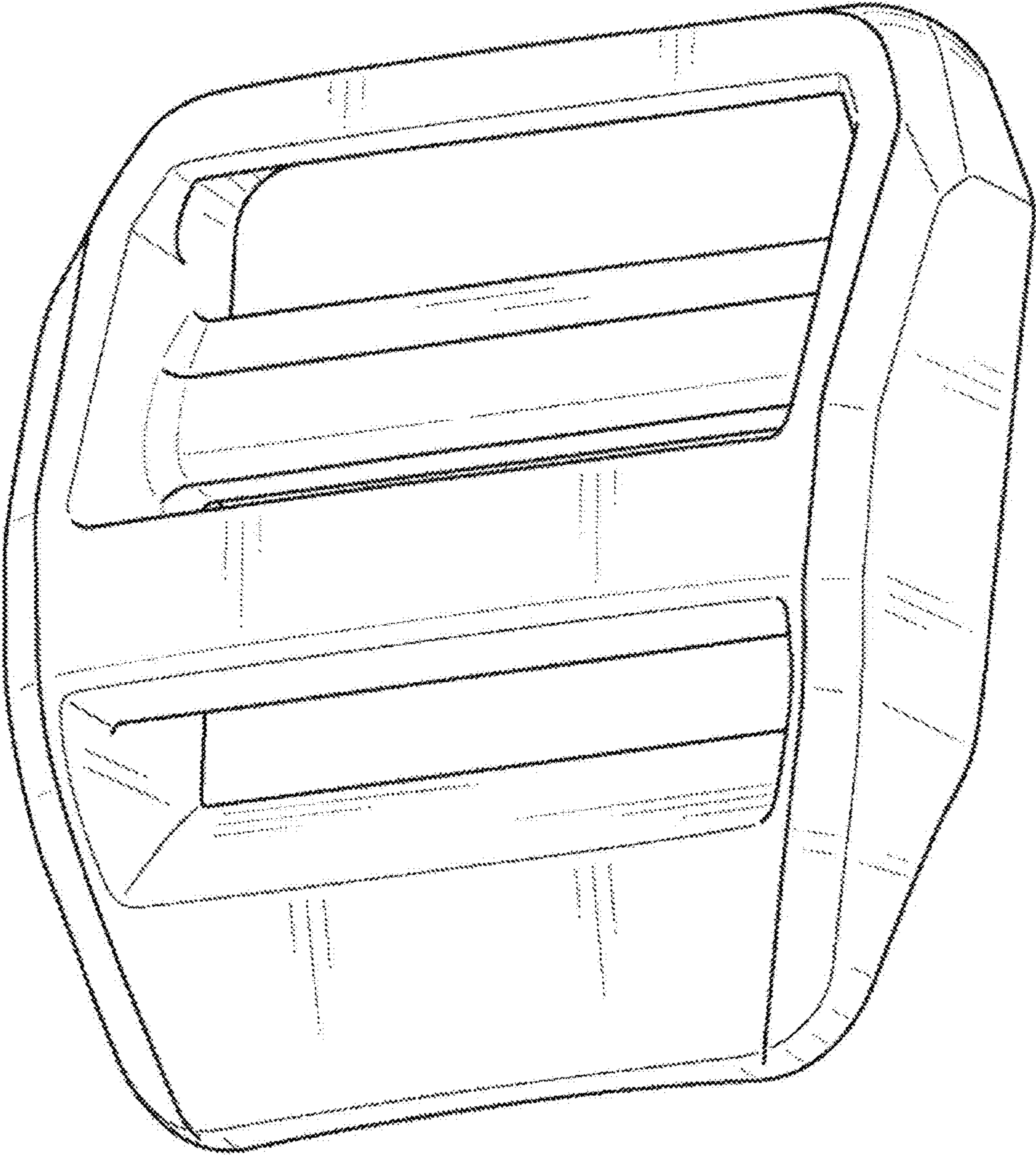
**References Cited**

U.S. PATENT DOCUMENTS

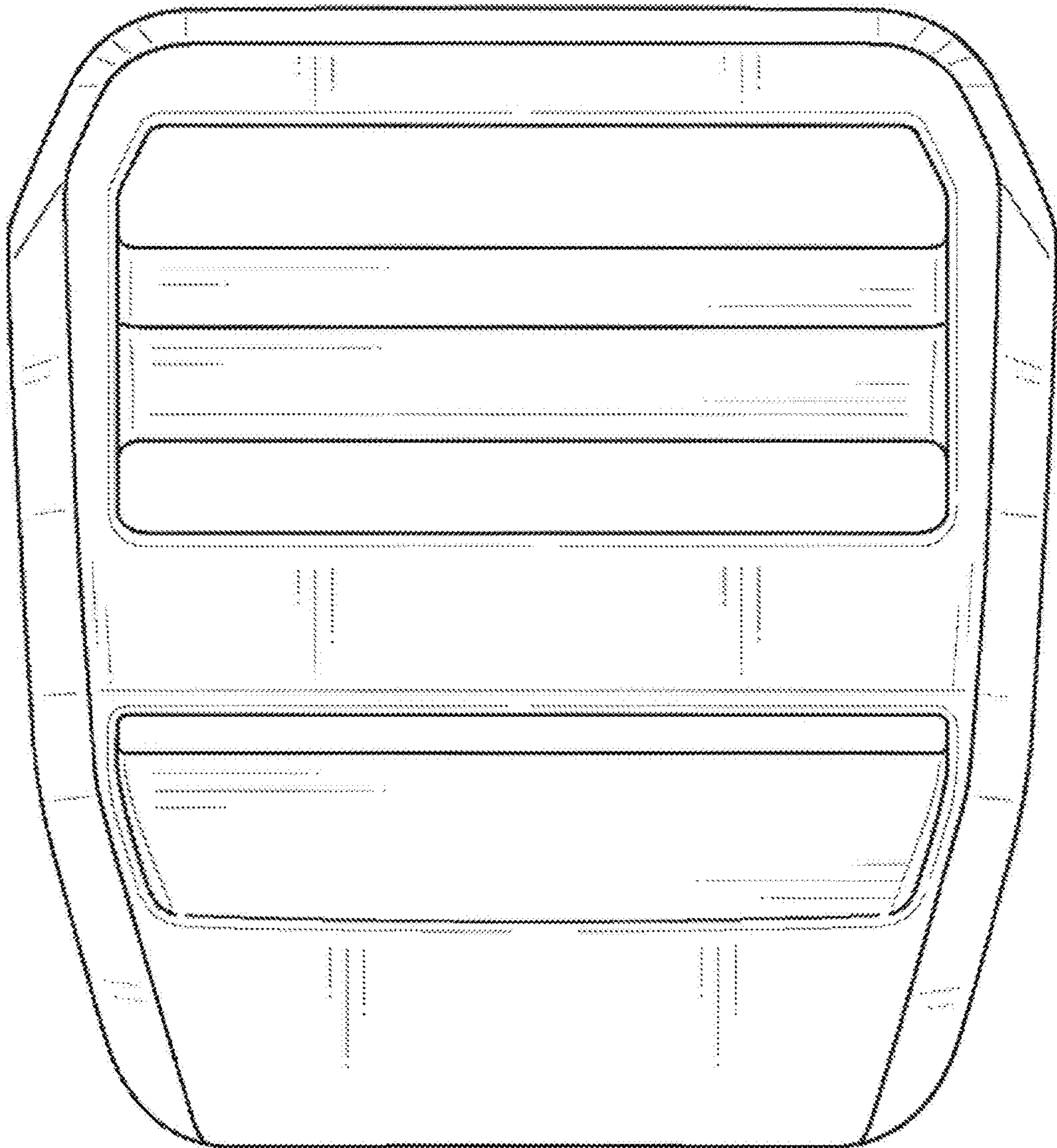
D823,717 S \* 7/2018 Ho ..... D11/218  
2008/0078069 A1\* 4/2008 Pontae ..... A44B 11/04  
24/196

\* cited by examiner

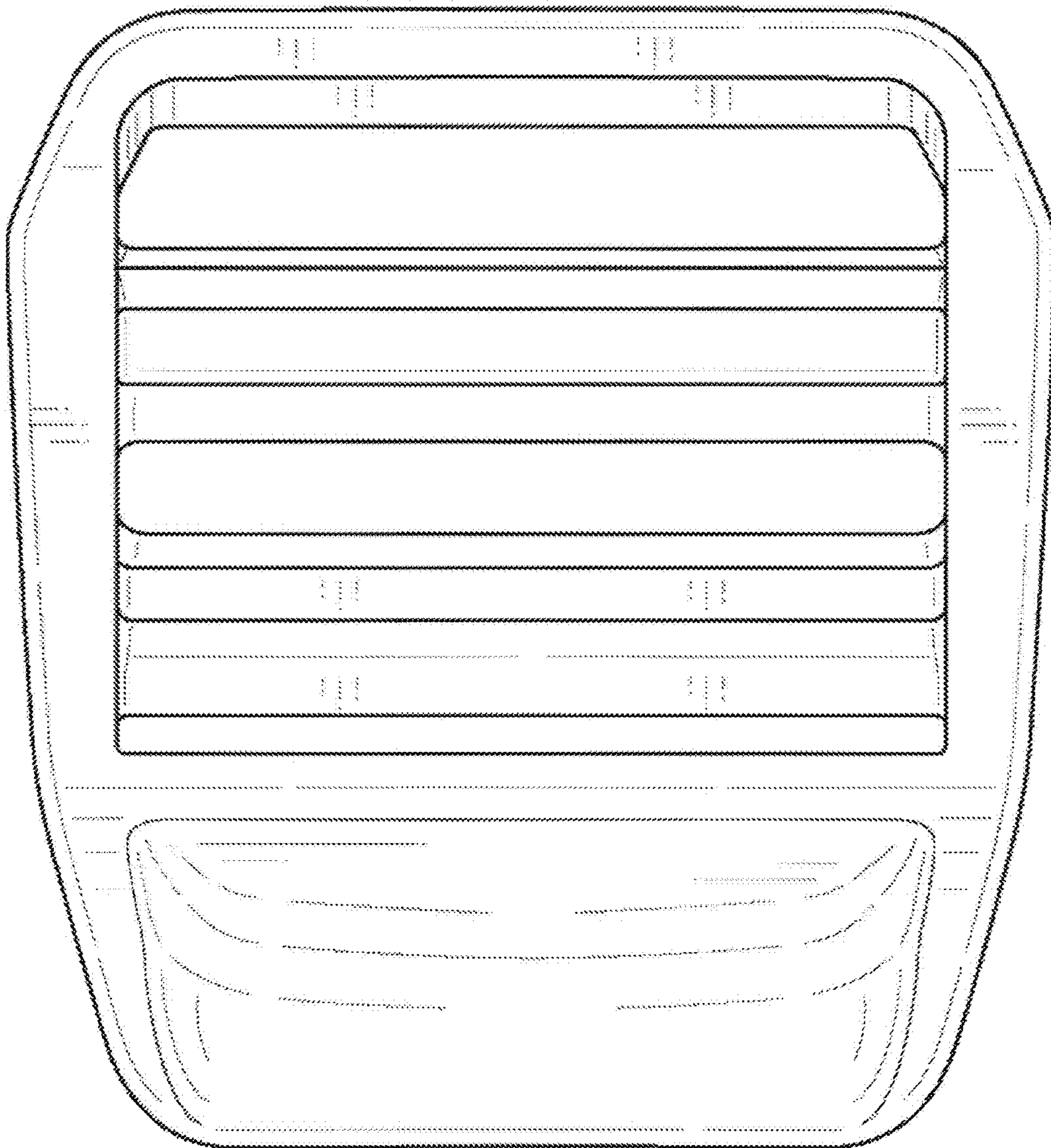
1.1



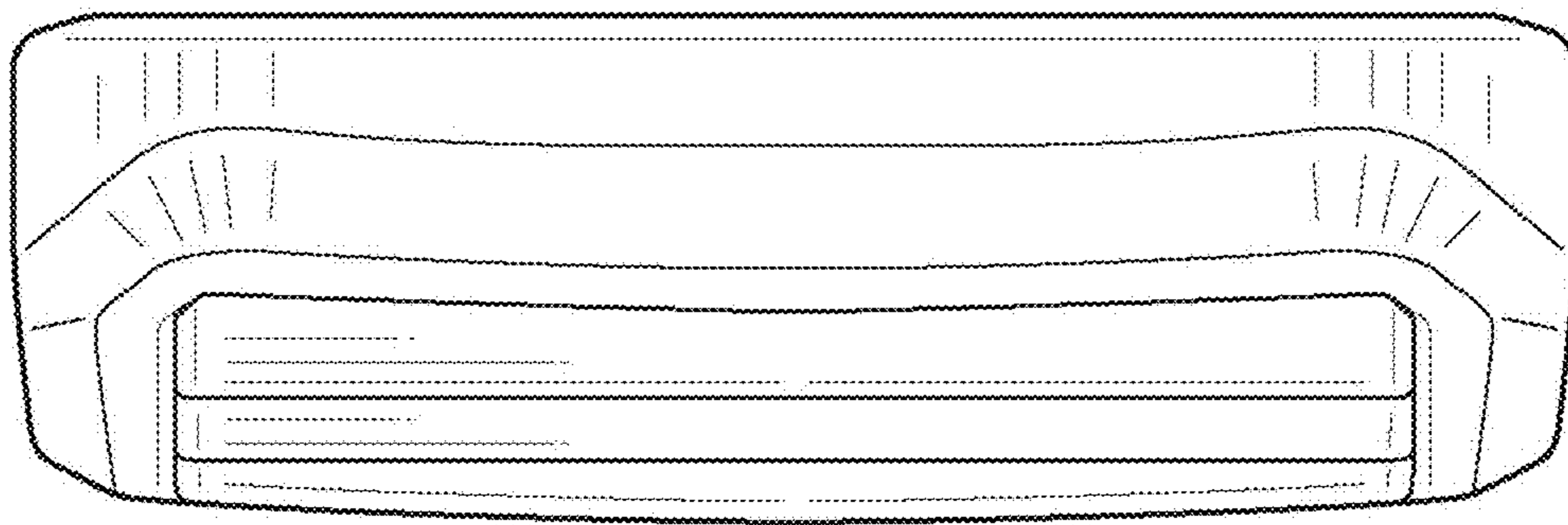
1.2



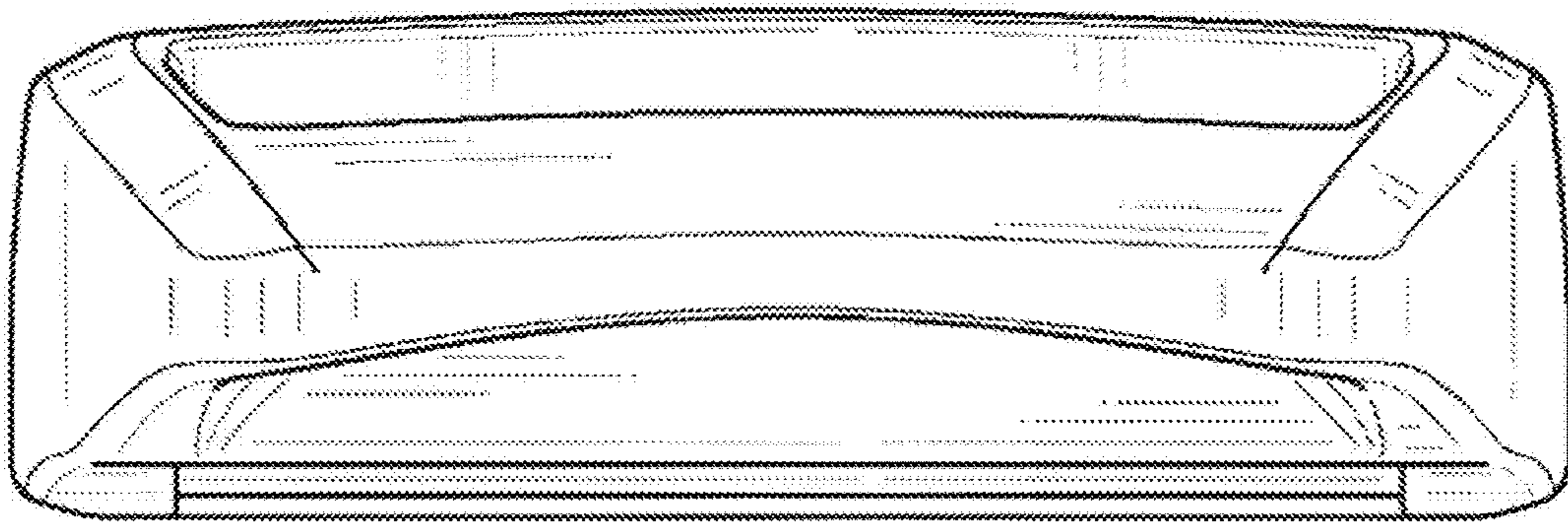
1.3



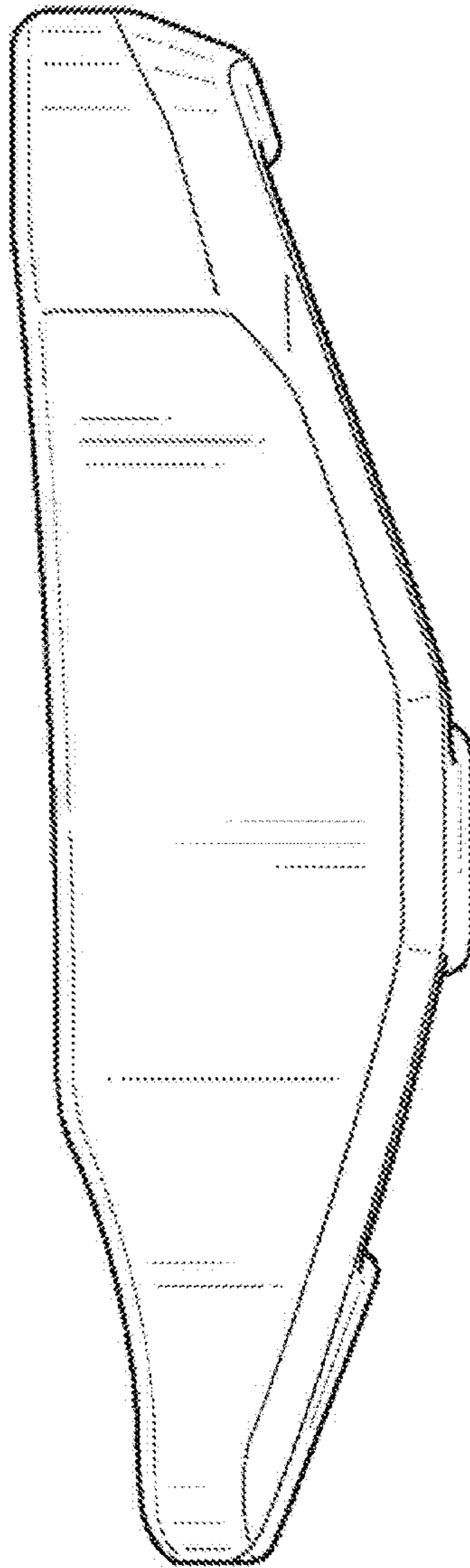
1.4



1.5



1.6





1.7

