



US00D840869S

(12) **United States Design Patent** (10) **Patent No.:** **US D840,869 S**
Koreishi (45) **Date of Patent:** **** Feb. 19, 2019**

(54) BUCKLE	3,192,588 A *	7/1965	White	A44B 11/04 24/200
(71) Applicant: NIFCO INC. , Yokosuka-shi, Kanagawa (JP)	D328,044 S	7/1992	Murai	
	D398,262 S	9/1998	Anscher	
	D421,578 S	3/2000	Anscher	
(72) Inventor: Namiko Koreishi , Yokosuka (JP)	D446,473 S	8/2001	Chung	
	D471,132 S	3/2003	Murata	
	D483,294 S	12/2003	Uehara	
(73) Assignee: NIFCO INC. , Yokosuka-shi, Kanagawa (JP)	D507,990 S *	8/2005	Yoshiguchi	D11/218
	D563,270 S	3/2008	Zeng	
	7,552,515 B2 *	6/2009	Funo	A44B 11/04 24/200
(**) Term: 15 Years	D610,946 S *	3/2010	Harada	D11/200
(21) Appl. No.: 29/655,335	D648,653 S	11/2011	Kadoishi	
	D649,907 S	12/2011	Kataguchi	
	D650,720 S	12/2011	Park	
(22) Filed: Jul. 2, 2018	D683,263 S	5/2013	Paik et al.	
	D702,151 S	4/2014	Kaneko et al.	
	D703,096 S *	4/2014	Kelleghan	D11/218

(Continued)

Related U.S. Application Data

(62) Division of application No. 35/502,949 (U.S. filing date under 35 U.S.C. 384), and having an international filing date of Feb. 15, 2017.

(51) **LOC (11) Cl.** **02-07**

(52) **U.S. Cl.**
USPC **D11/218**

(58) **Field of Classification Search**
USPC D11/200, 201, 206-210, 214-218;
24/163 R, 169-171, 173, 177-179, 191,
24/194, 195, 198, 200, 614-616, 625,
24/578.11, 578.1, 163 K, 114
CPC A44B 11/00; A44B 11/02; A44B 11/04;
A44B 11/25; A44B 11/2526; A44B 11/26;
A44B 17/00; A44B 21/00; A41F 19/00
See application file for complete search history.

(56) **References Cited**

U.S. PATENT DOCUMENTS

D46,861 S	1/1915	Christi	
1,437,250 A	11/1922	Kerngood	
D134,138 S *	10/1942	Smith	D11/218
2,343,118 A	2/1944	White	

OTHER PUBLICATIONS

[Online] "Web Buckle Catalogue" https://nifcobuckle.com/global_catalogue/tape-adjusters/I-d/. Retrieved Sep. 26, 2018.*

Primary Examiner — Melanie Pellegrini
(74) *Attorney, Agent, or Firm* — Banner & Witcoff, Ltd.

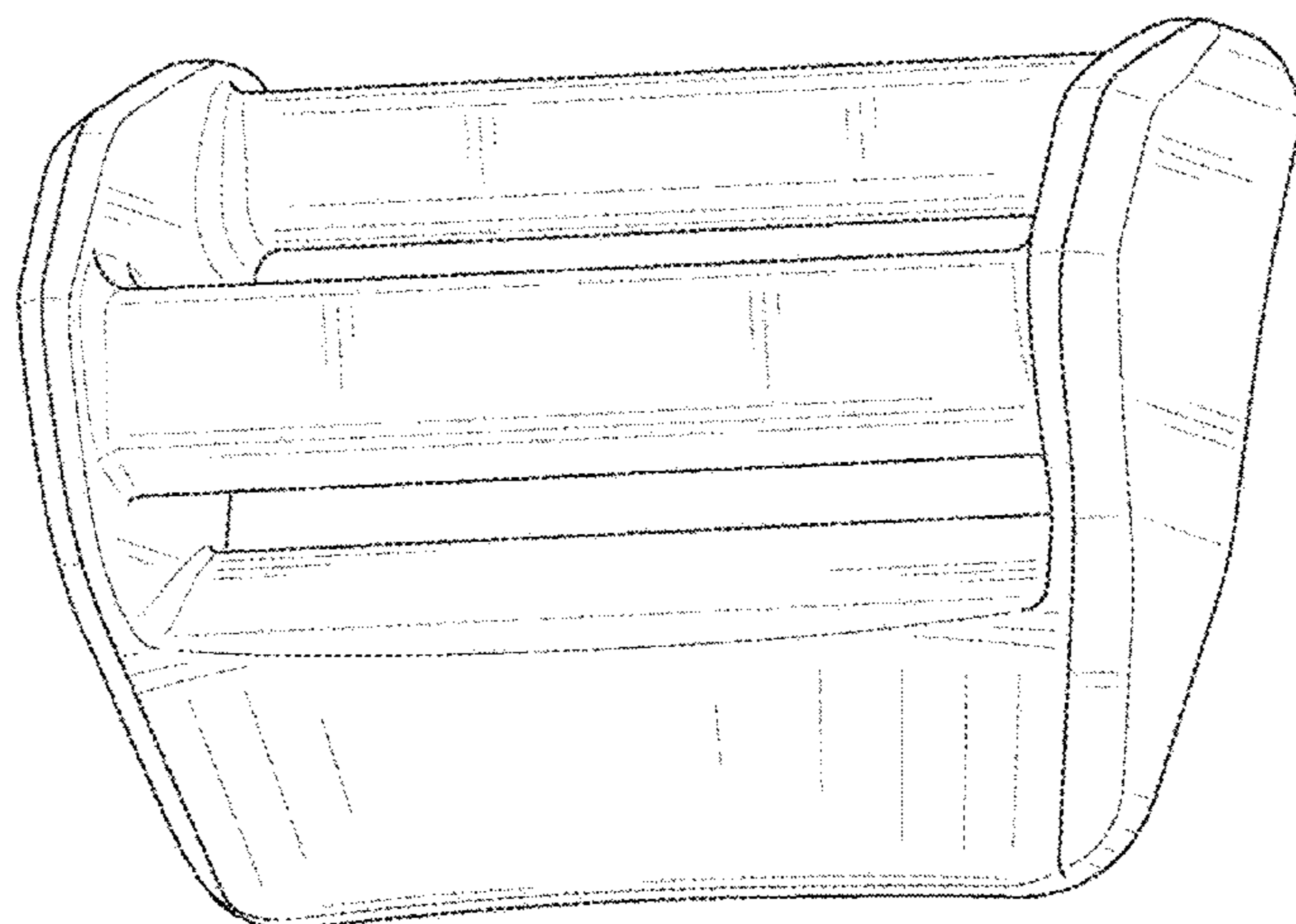
(57) **CLAIM**

The ornamental design for a buckle, as shown and described.

DESCRIPTION

FIG. 1 is a perspective view of a buckle showing my new design;
FIG. 2 is a front view thereof;
FIG. 3 is a rear view thereof;
FIG. 4 is top view thereof;
FIG. 5 is a bottom view thereof;
FIG. 6 is a left side view thereof; and,
FIG. 7 is a right side view thereof.

1 Claim, 7 Drawing Sheets



(56)

References Cited

U.S. PATENT DOCUMENTS

D703,097	S	4/2014	Nanbu et al.	
D703,100	S	4/2014	Saitsu	
D721,010	S	1/2015	Spater	
8,984,723	B2 *	3/2015	Pitman	A41F 15/002 24/200
D729,689	S	5/2015	Kelleghan	
D731,919	S	6/2015	Kung	
D731,920	S	6/2015	Kung	
D731,921	S	6/2015	Kung	
D741,148	S	10/2015	Liu	
D786,735	S *	5/2017	Koreishi	D11/218
10,039,349	B2 *	8/2018	Muller	A44B 11/04
2008/0078069	A1	4/2008	Pontaoe	

* cited by examiner

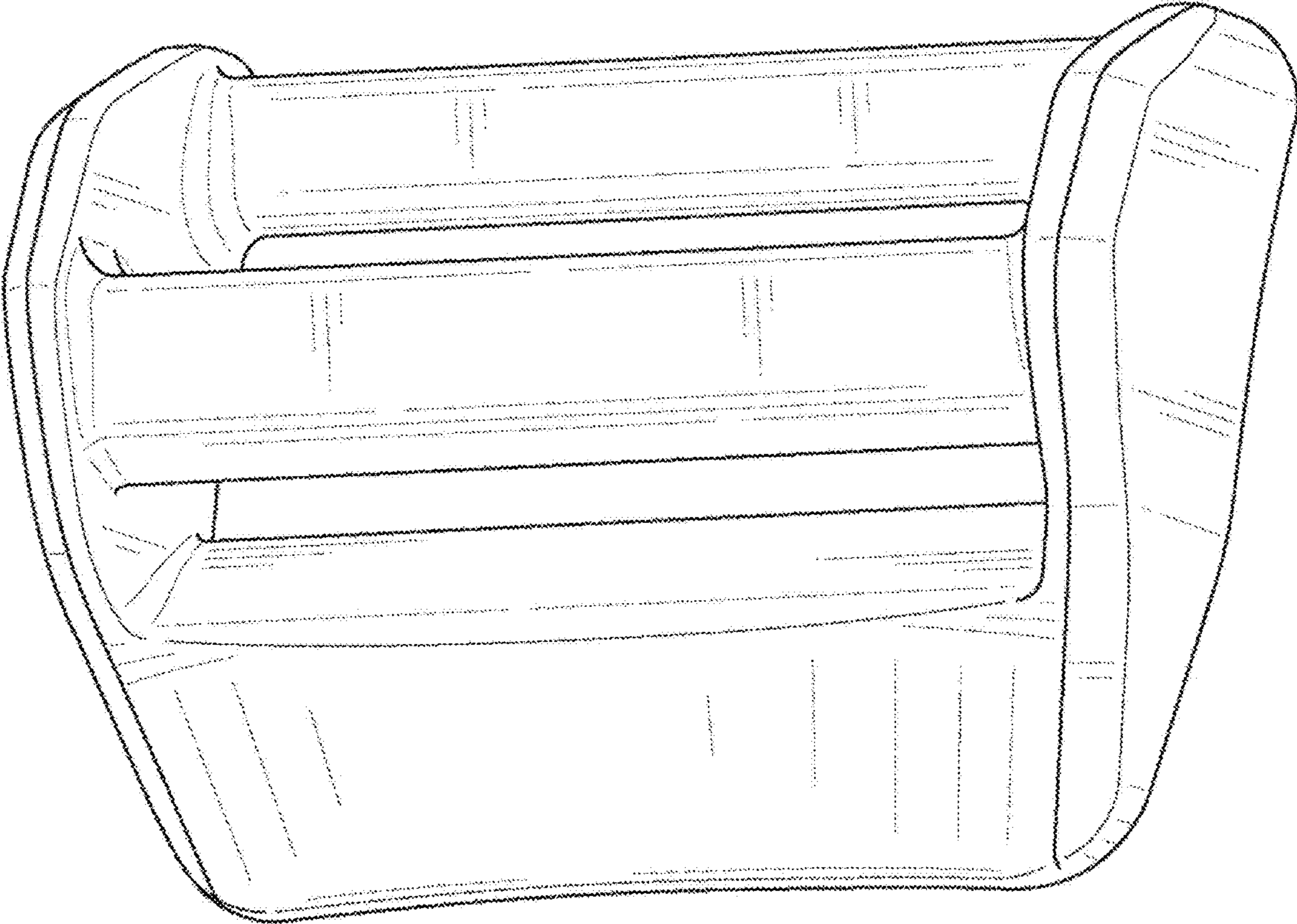


FIG. 1

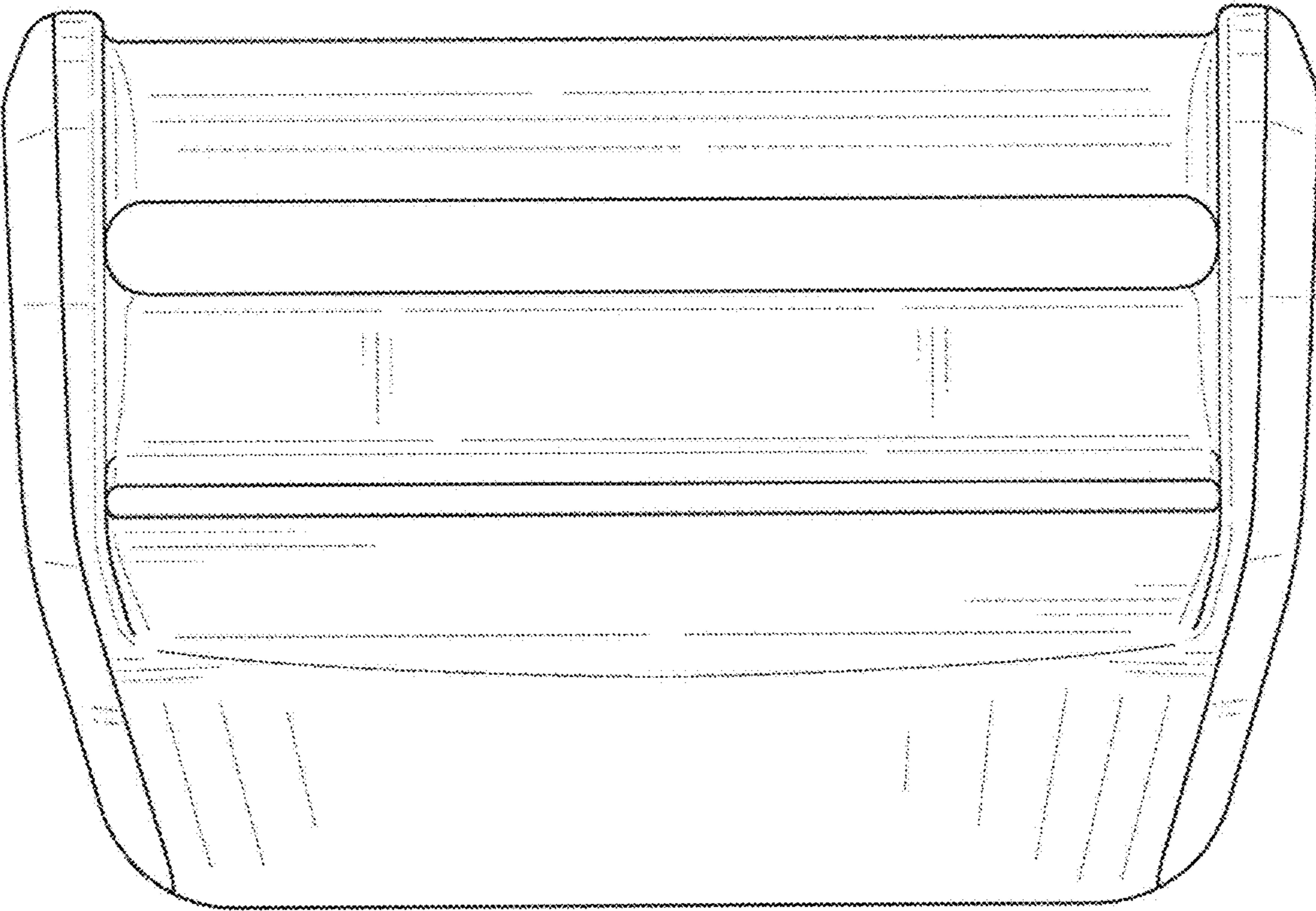


FIG. 2

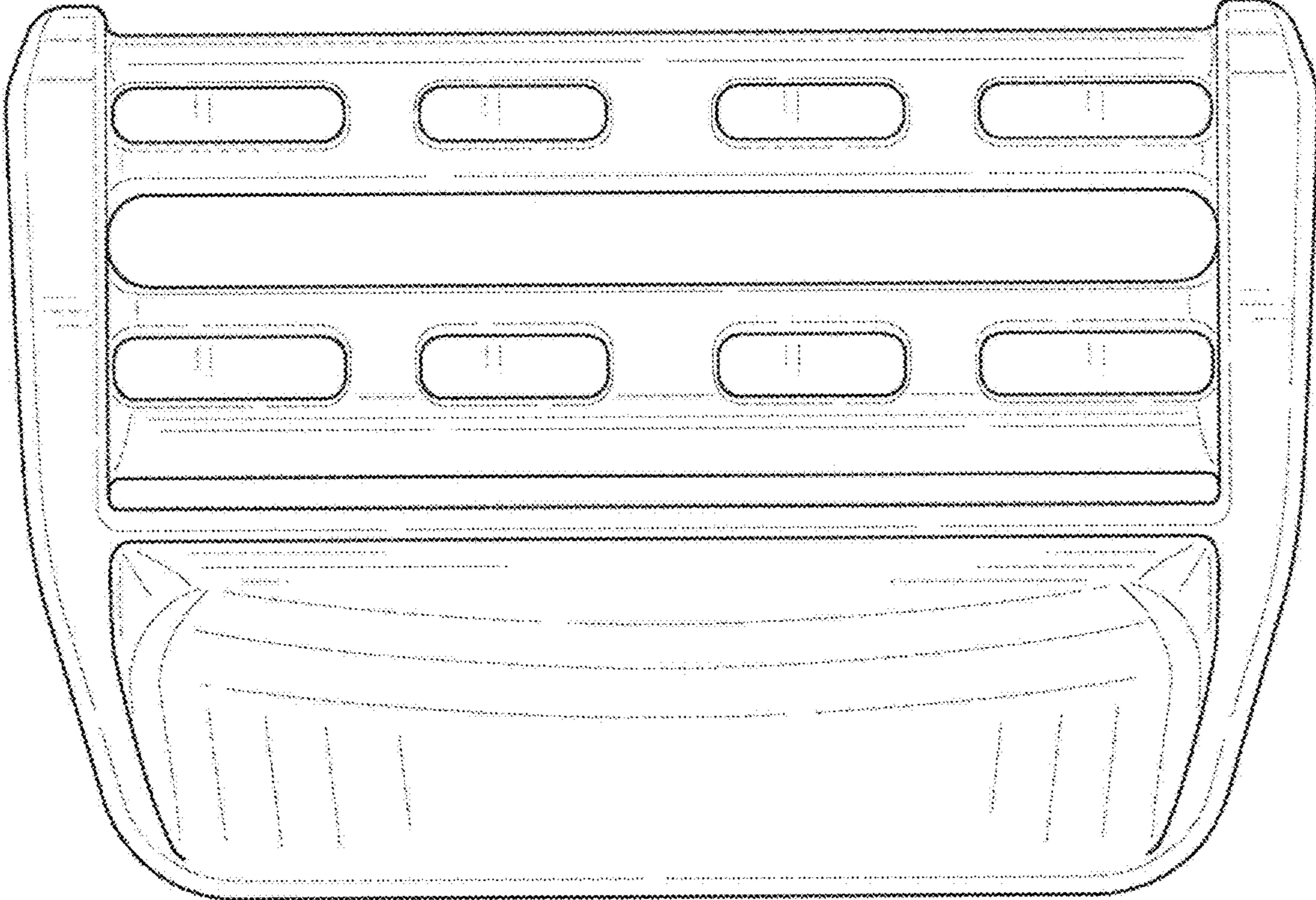


FIG. 3

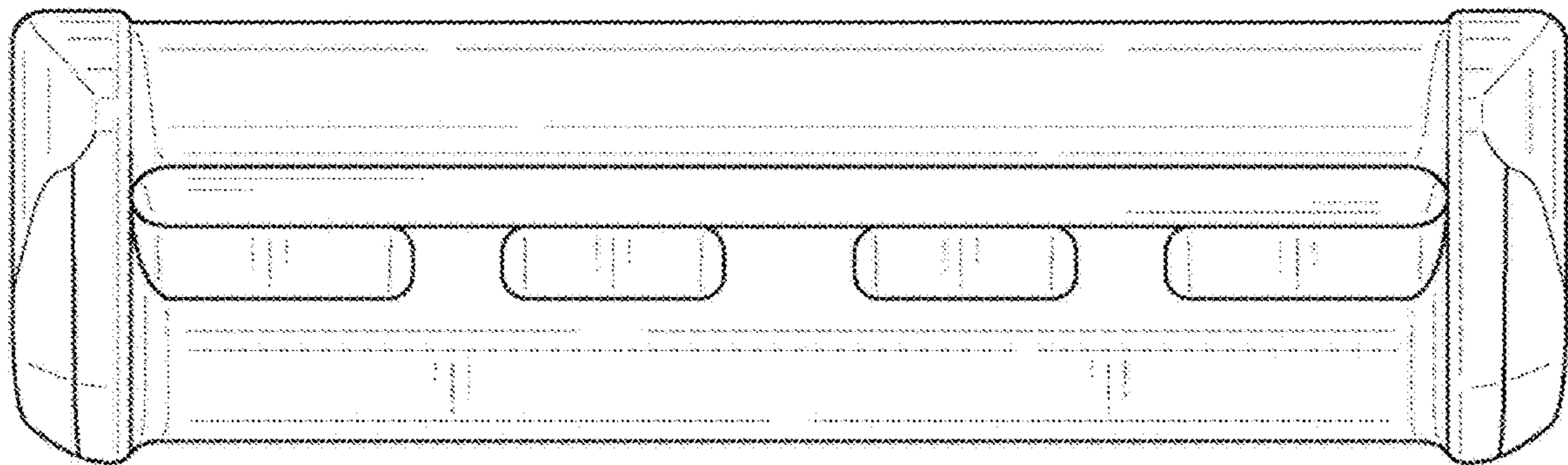


FIG. 4

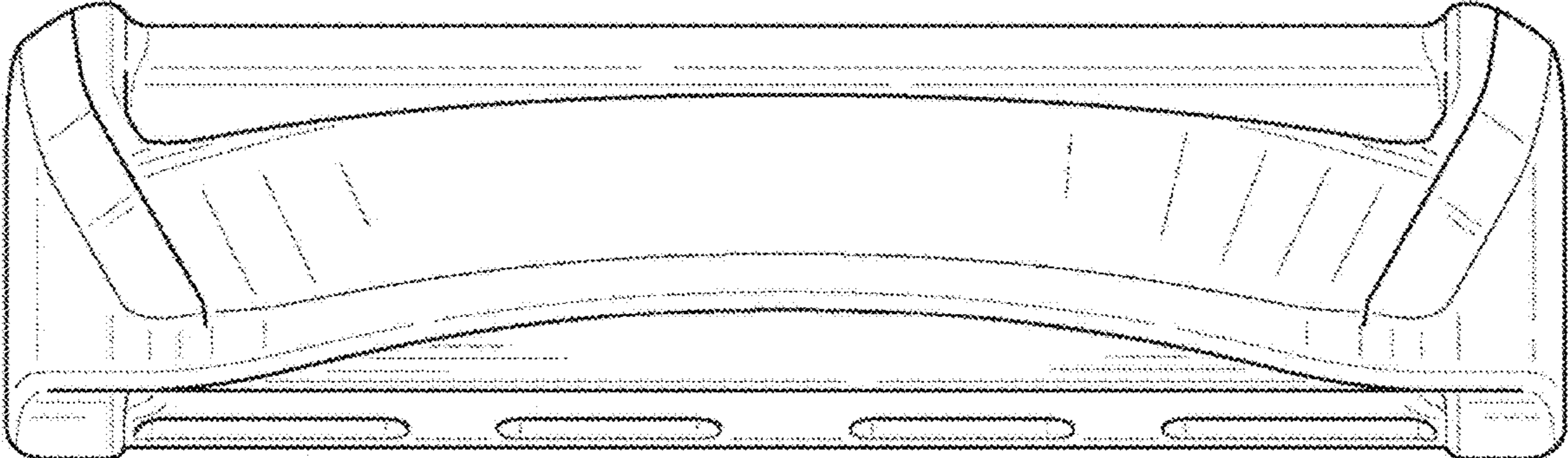


FIG. 5

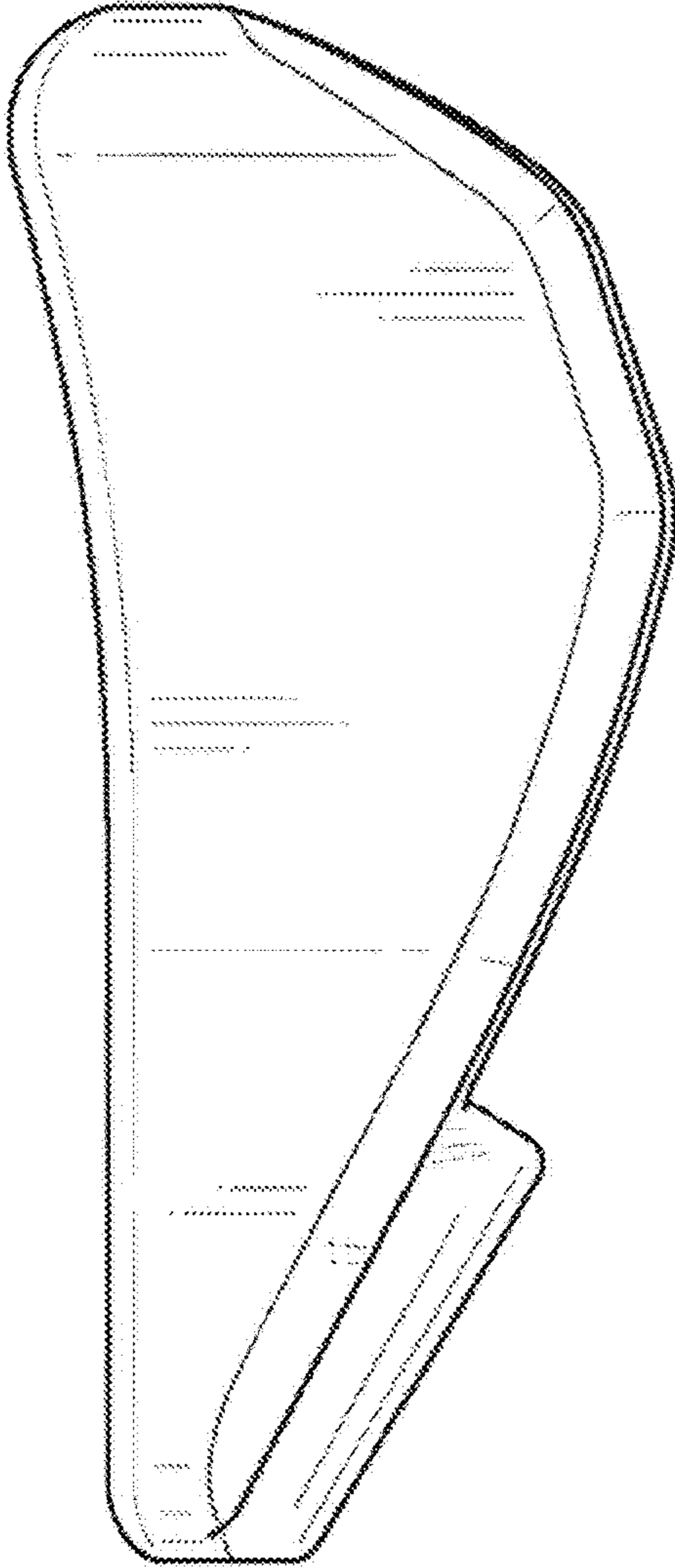


FIG. 6

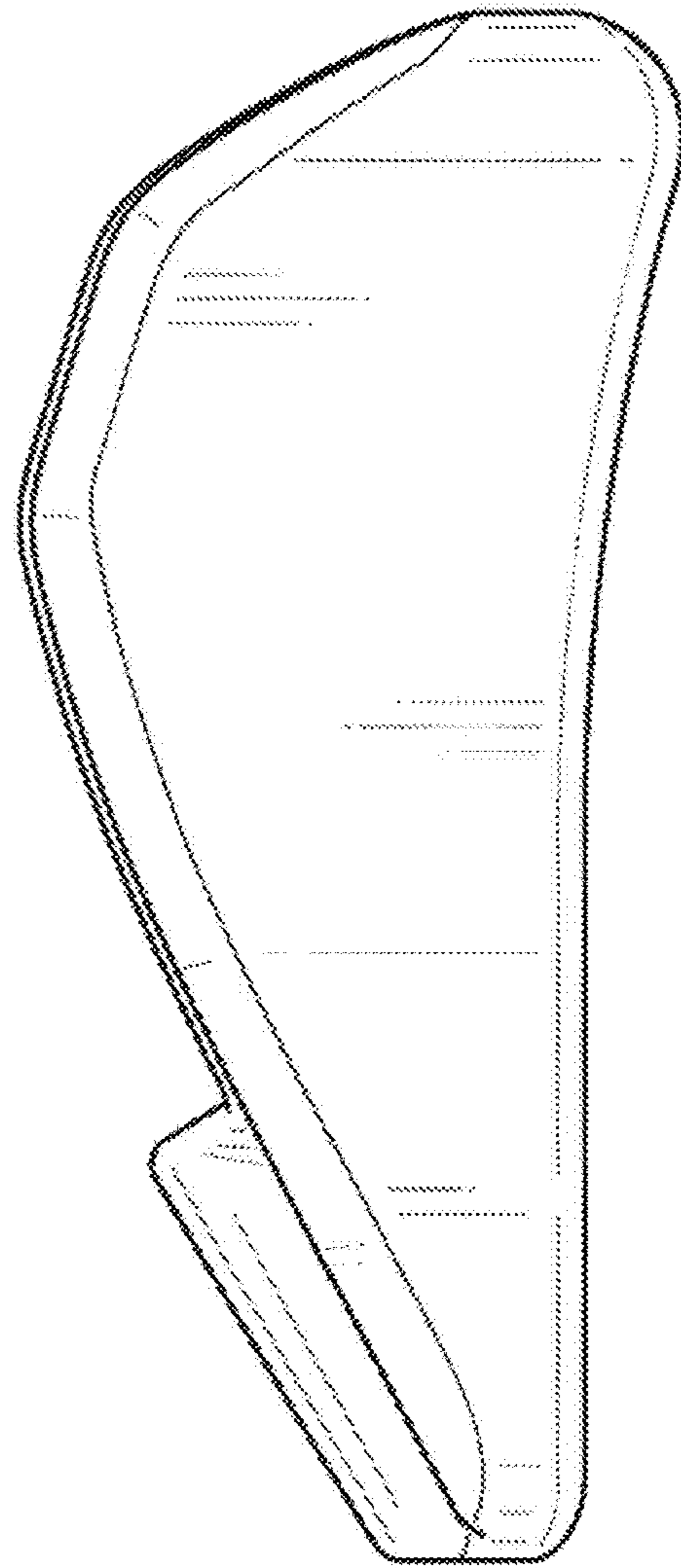


FIG. 7