

US00D840867S

(12) **United States Design Patent** (10) **Patent No.:** **US D840,867 S**
Conrad, Jr. (45) **Date of Patent:** **** Feb. 19, 2019**

(54) **SELF-WATERING PLANTER INSERT**

(71) Applicant: **WaterWell Planters, Inc.**, Martinsville, NJ (US)

(72) Inventor: **Michael L. Conrad, Jr.**, Bridgewater, NJ (US)

(73) Assignee: **Waterwell Planters, Inc.**, Martinsville, NJ (US)

(**) Term: **15 Years**

(21) Appl. No.: **29/572,368**

(22) Filed: **Jul. 27, 2016**

(51) **LOC (11) Cl.** **11-06**

(52) **U.S. Cl.**
USPC **D11/152**

(58) **Field of Classification Search**
USPC D11/143, 152-156; D6/556
CPC A01G 9/02; A01G 9/021; A01G 9/022;
A01G 9/024; A01G 9/10; A01G 9/04
See application file for complete search history.

(56) **References Cited**

U.S. PATENT DOCUMENTS

1,778,030	A	10/1930	Kanst	
3,958,366	A	5/1976	Meyers	
4,096,663	A	6/1978	Silver	
D250,401	S *	11/1978	O'Shea	47/80
D257,529	S *	11/1980	Raap	47/59 R
4,299,054	A	11/1981	Ware	
4,324,070	A	4/1982	Swisher	
4,369,598	A	1/1983	Beckwith	
4,506,899	A	3/1985	Sano et al.	
4,805,343	A	2/1989	Patterson et al.	
4,903,432	A	2/1990	Velagaleti et al.	
4,962,613	A	10/1990	Nalbandian	
D340,674	S *	10/1993	Carlson	D11/152
5,404,672	A	4/1995	Sanderson	
5,535,542	A	7/1996	Gardner et al.	

5,749,170	A	5/1998	Furuta	
5,901,497	A	5/1999	Bulvin	
5,930,951	A	8/1999	Wong	
6,134,832	A *	10/2000	Bokmiller	A01G 9/021 206/509
D441,315	S	5/2001	Huffman	
D461,432	S *	8/2002	Carlson	D11/152
D485,207	S *	1/2004	Dion	D11/143
D489,286	S *	5/2004	Rogers	D11/143
7,296,379	B1	11/2007	Peter	
D564,394	S *	3/2008	Schmidt	D11/152
7,392,616	B1	7/2008	Bagby	
7,607,257	B2	10/2009	Goldberg et al.	
D704,592	S *	5/2014	Hung	D11/152
D708,546	S *	7/2014	Hung	D11/151
9,392,756	B1 *	7/2016	Conrad, Jr.	A01G 27/008

(Continued)

Primary Examiner — Sheryl Lane

(74) *Attorney, Agent, or Firm* — M&B IP Analysts, LLC

(57) **CLAIM**

I claim the ornamental design for a self-watering planter insert, as shown and described.

DESCRIPTION

FIG. 1 is a front top perspective of one embodiment of a self-watering planter insert applied to a planter showing my new design;

FIG. 2 is a bottom perspective view thereof;

FIG. 3 is a rear top perspective view thereof;

FIG. 4 is a front view thereof;

FIG. 5 is a right side view thereof;

FIG. 6 is a left side view thereof;

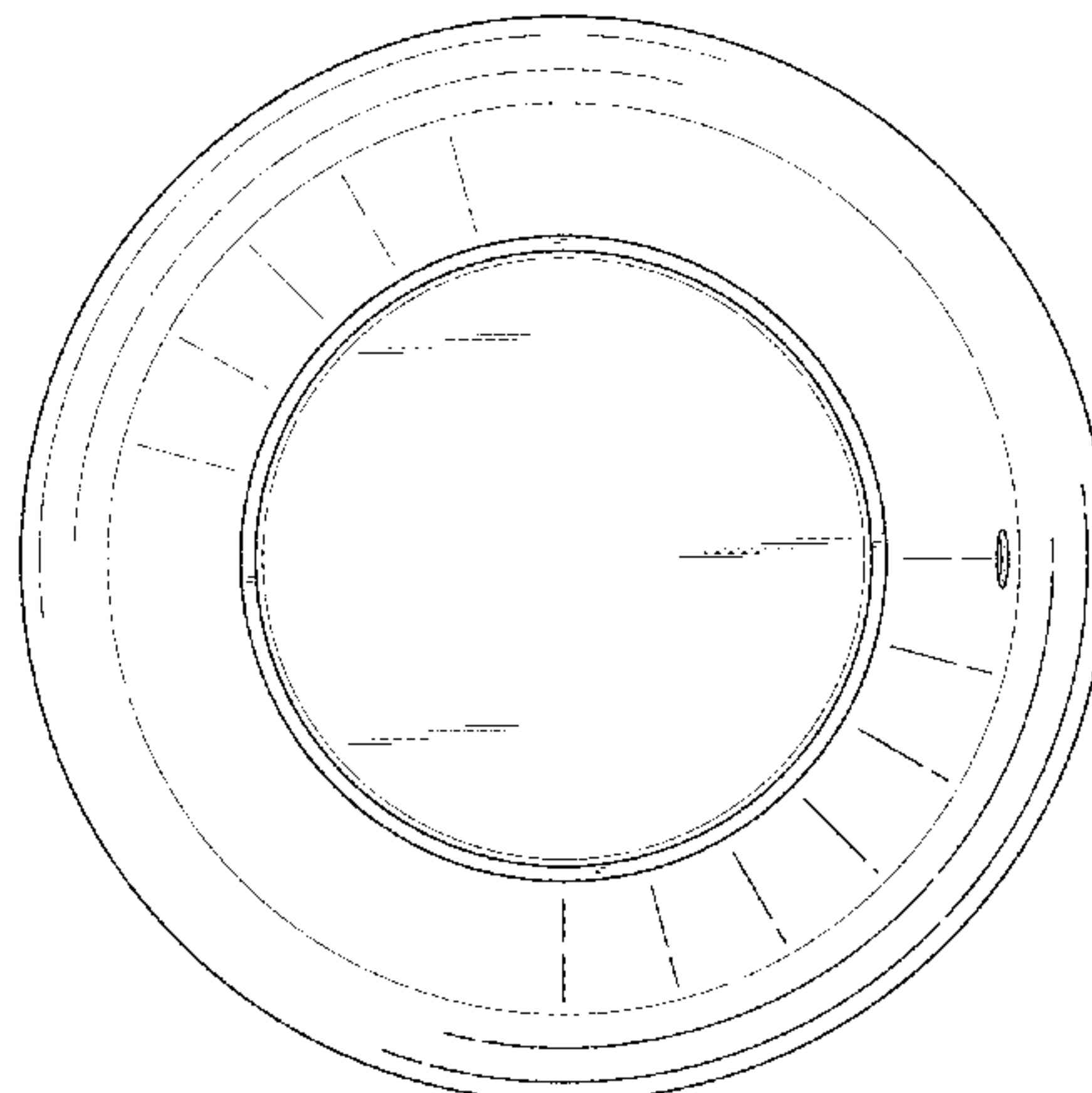
FIG. 7 is a rear view thereof;

FIG. 8 is a top view thereof; and,

FIG. 9 is a bottom view thereof.

The portions of the article in broken lines are shown for illustrative purposes only and form no part of the claimed design.

1 Claim, 9 Drawing Sheets



(56)

References Cited

U.S. PATENT DOCUMENTS

9,516,821	B1 *	12/2016	Conrad, Jr.	A01G 27/06
9,867,340	B1 *	1/2018	Conrad, Jr.	A01G 27/04
2004/0010970	A1	1/2004	Baumann	
2004/0148855	A1	8/2004	Caron	
2005/0000159	A1	1/2005	Billette	
2005/0011124	A1	1/2005	Sanderson	
2008/0072492	A1	3/2008	Olson	
2008/0302002	A1	12/2008	Schmidt	
2009/0031629	A1	2/2009	Riesterer	
2009/0077873	A1	3/2009	Petersen et al.	
2011/0131879	A1	6/2011	Altendorfer et al.	
2011/0162272	A1	7/2011	Junkeer	
2012/0060415	A1	3/2012	Harbaugh	
2013/0133255	A1 *	5/2013	Wu	A01G 9/02 47/66.1
2013/0269250	A1 *	10/2013	Hung	A01G 9/02 47/65.5
2015/0144749	A1 *	5/2015	Leyshon	F21V 1/06 248/97

* cited by examiner

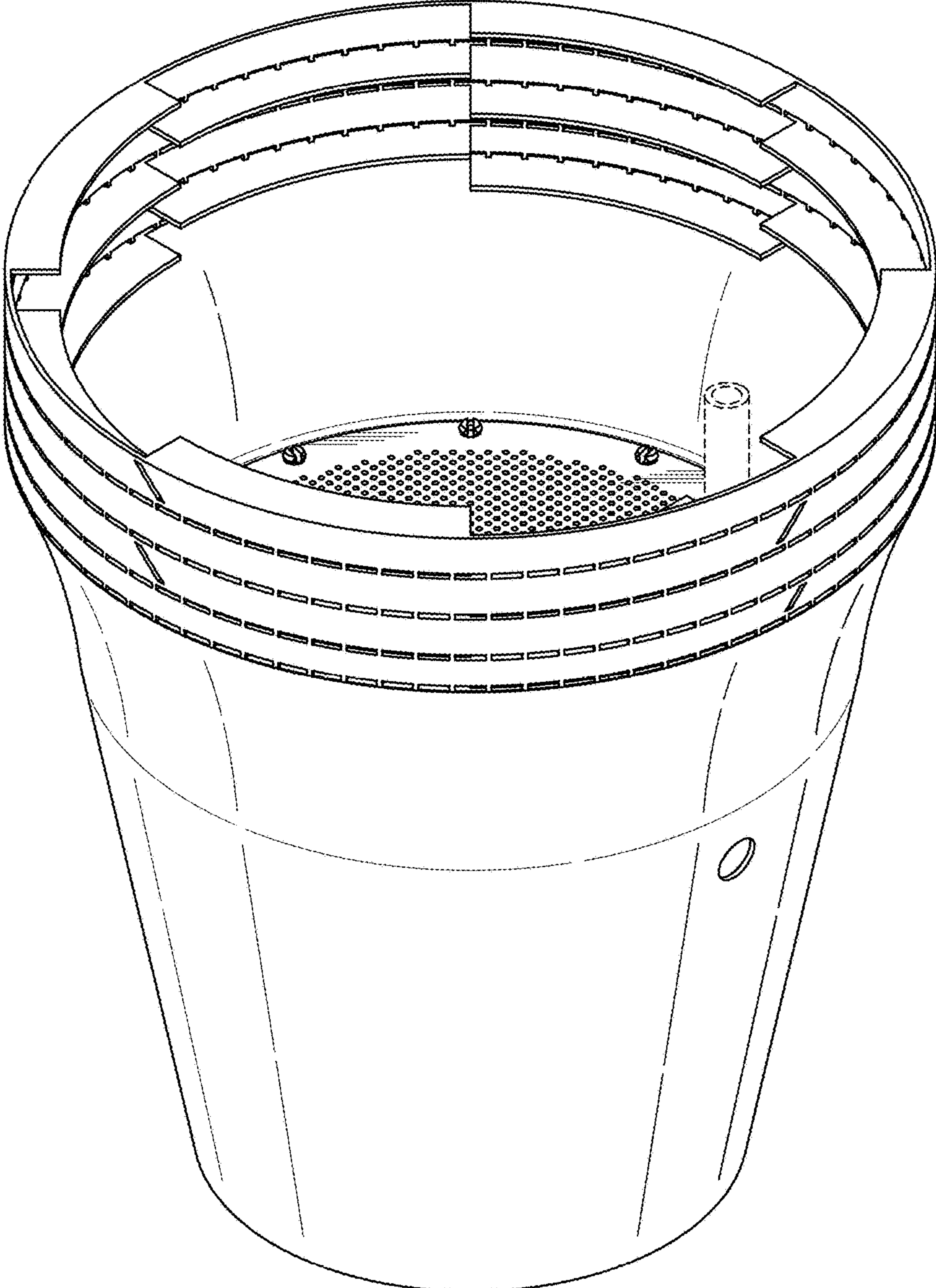


FIG. 1

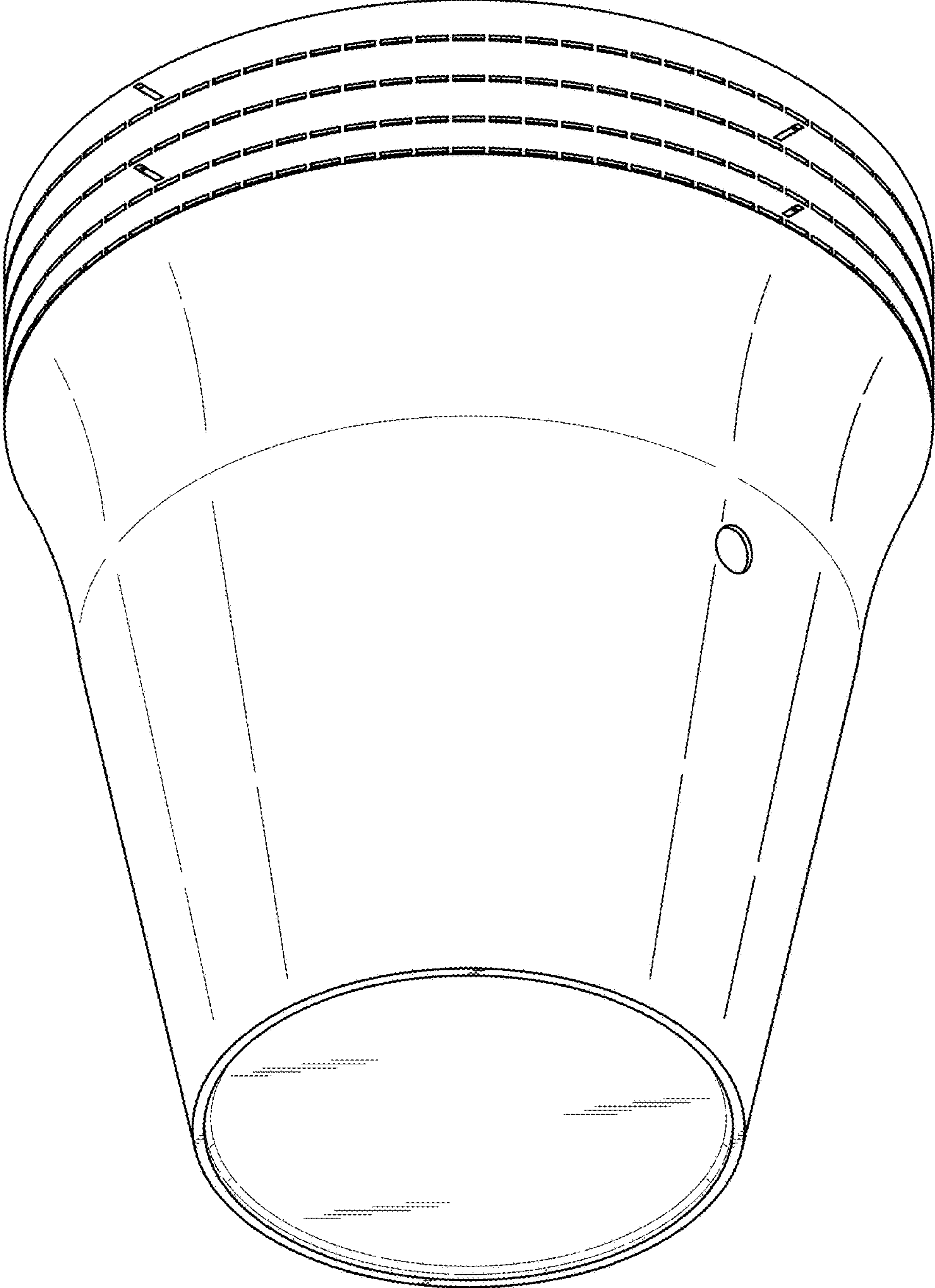


FIG. 2

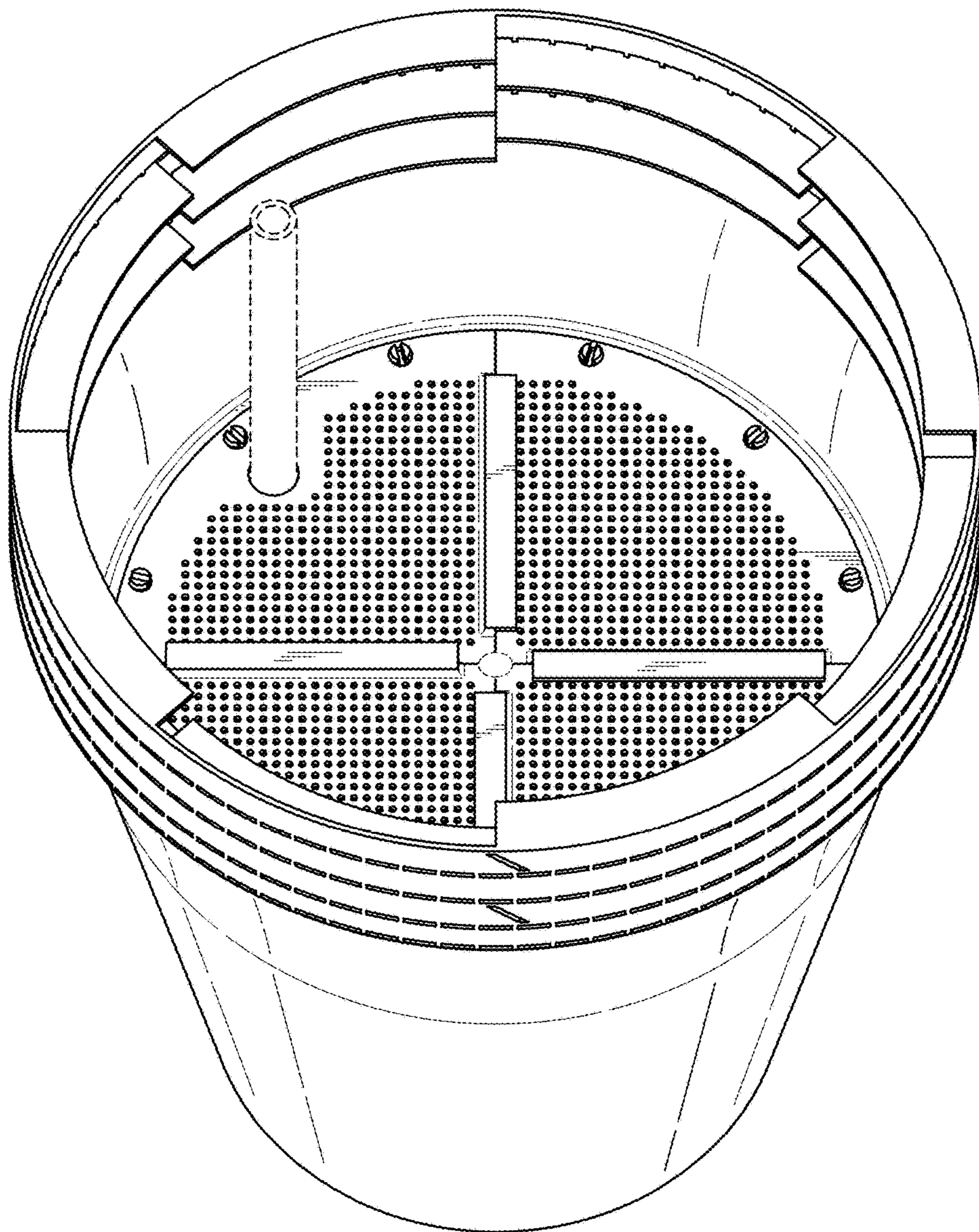


FIG. 3

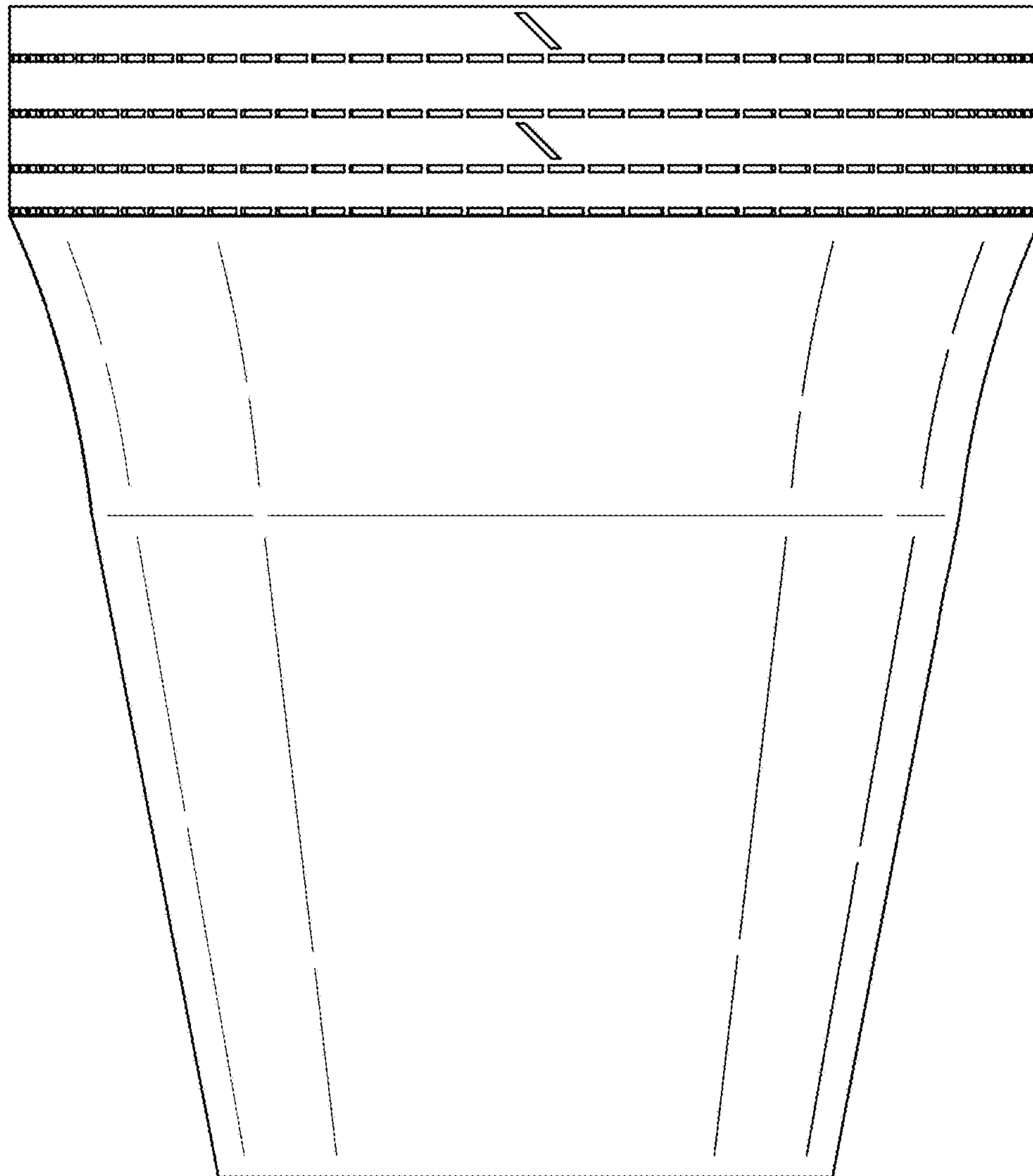


FIG. 4

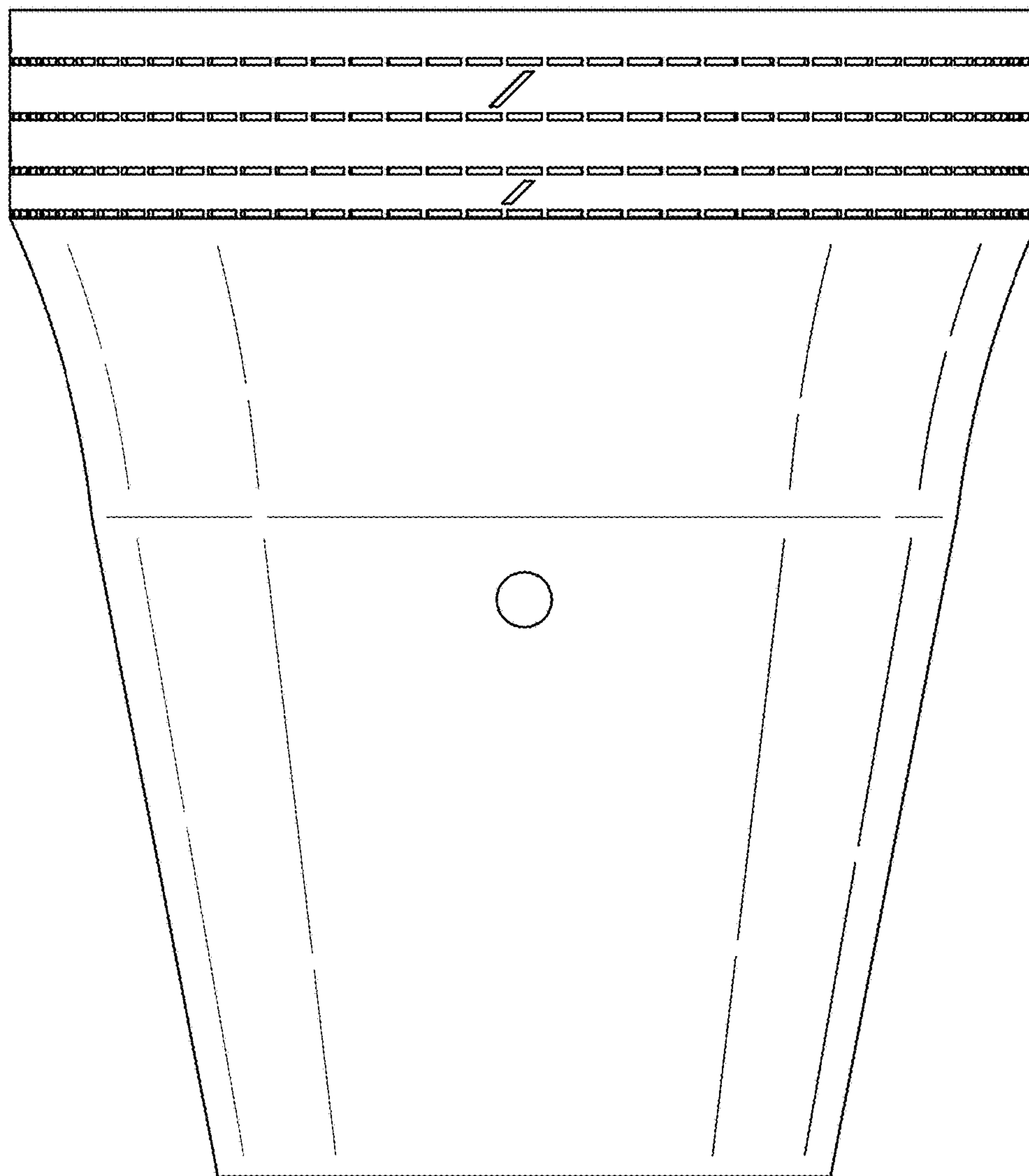


FIG. 5

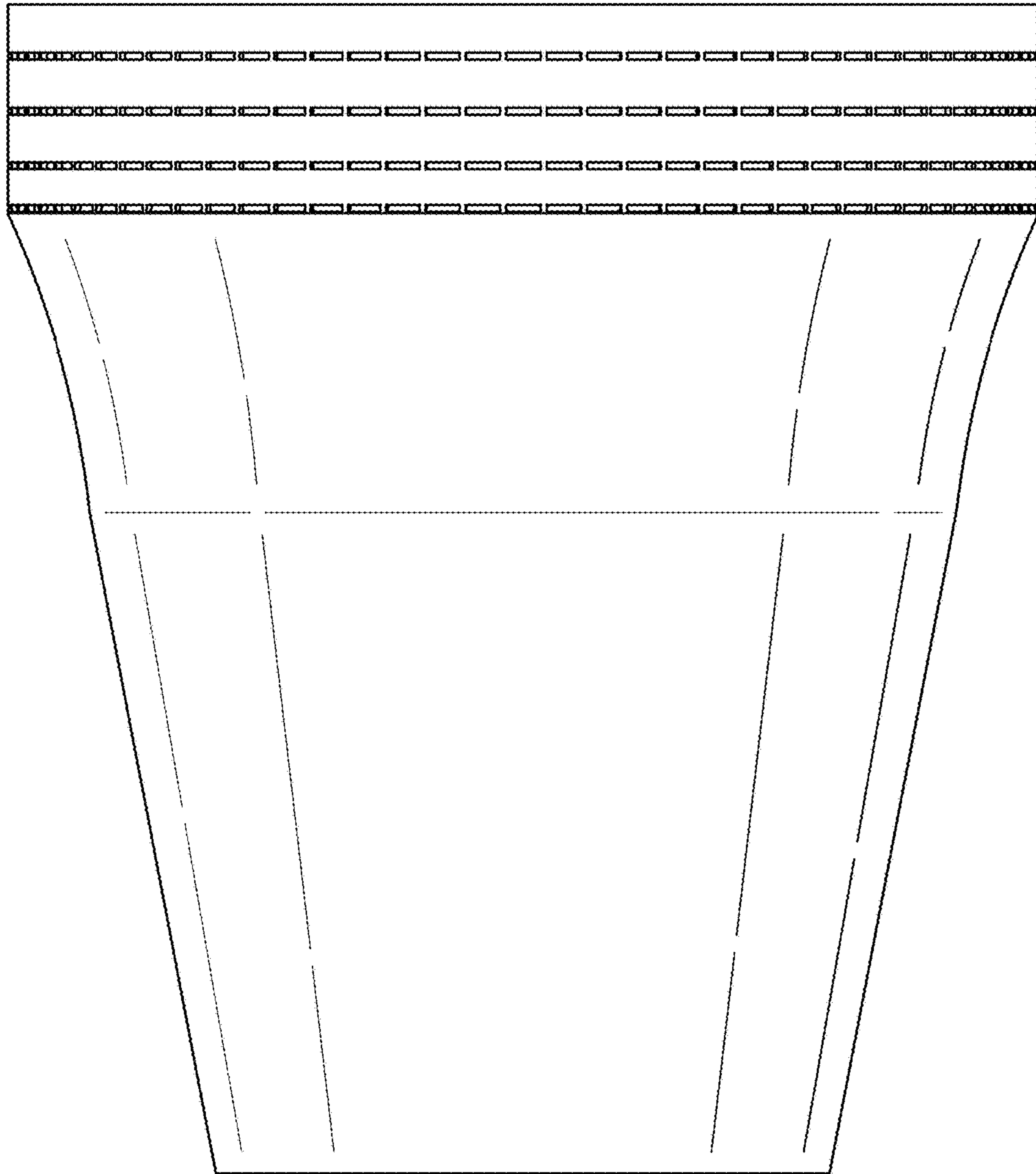


FIG. 6

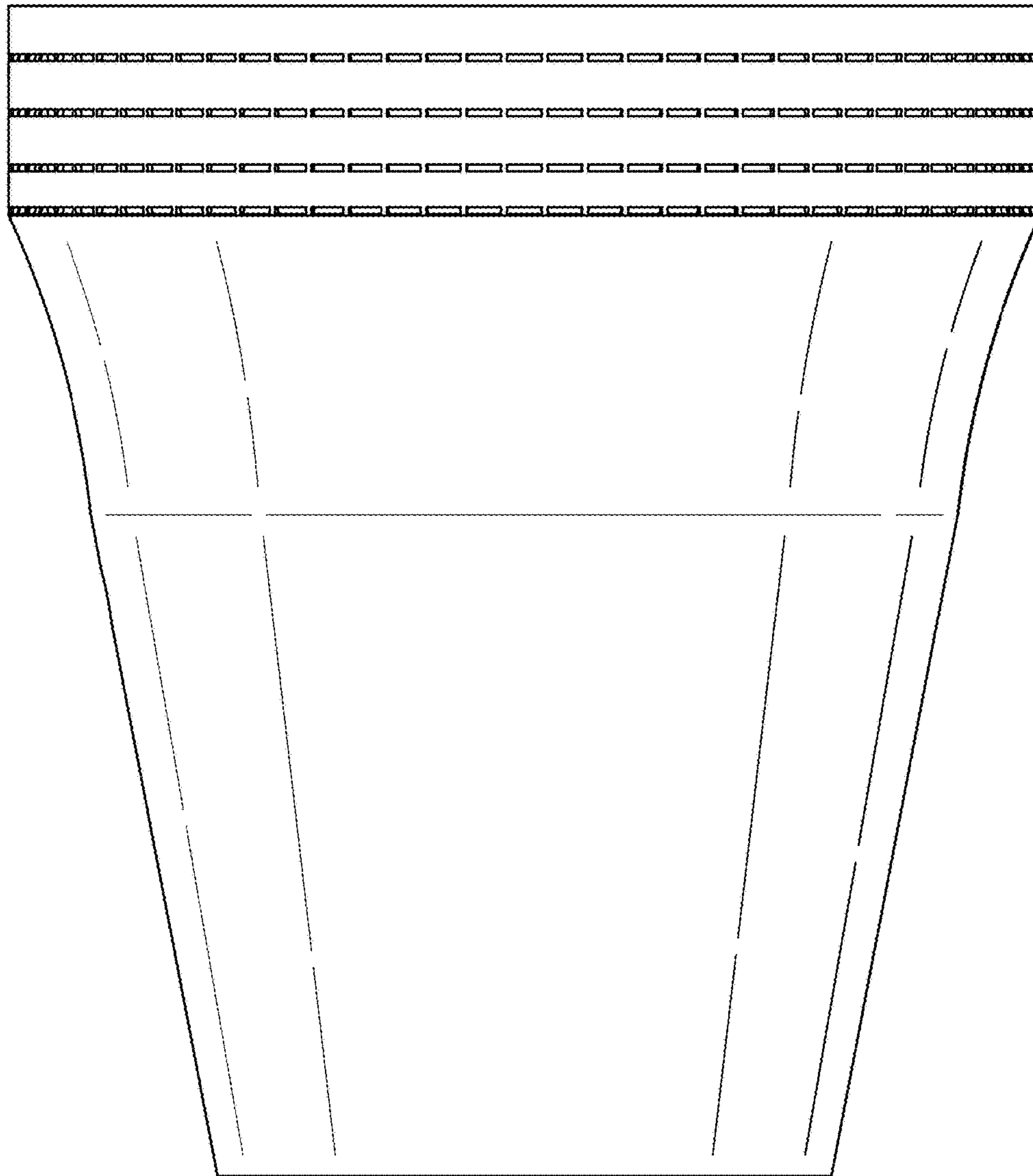


FIG. 7

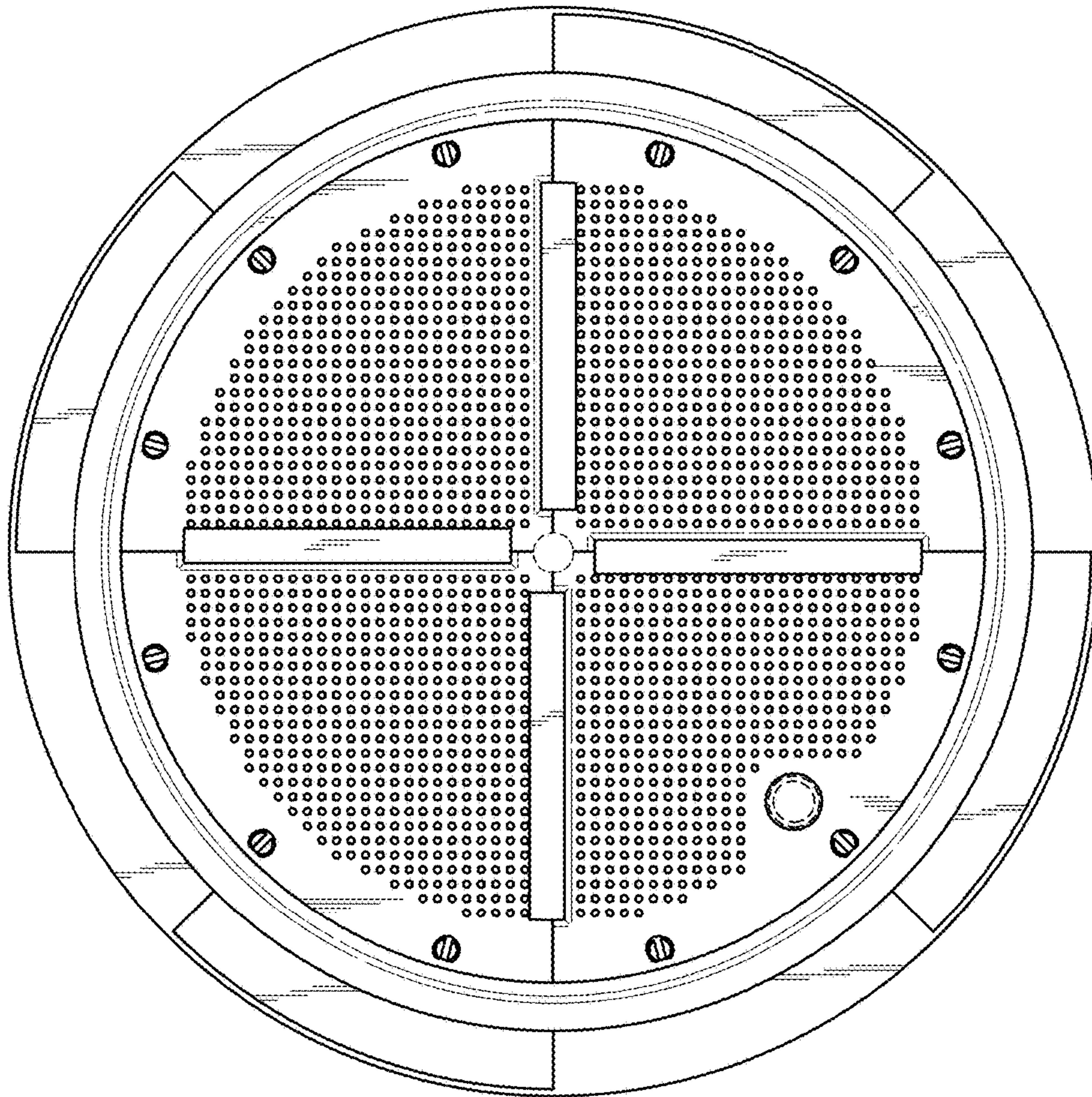


FIG. 8

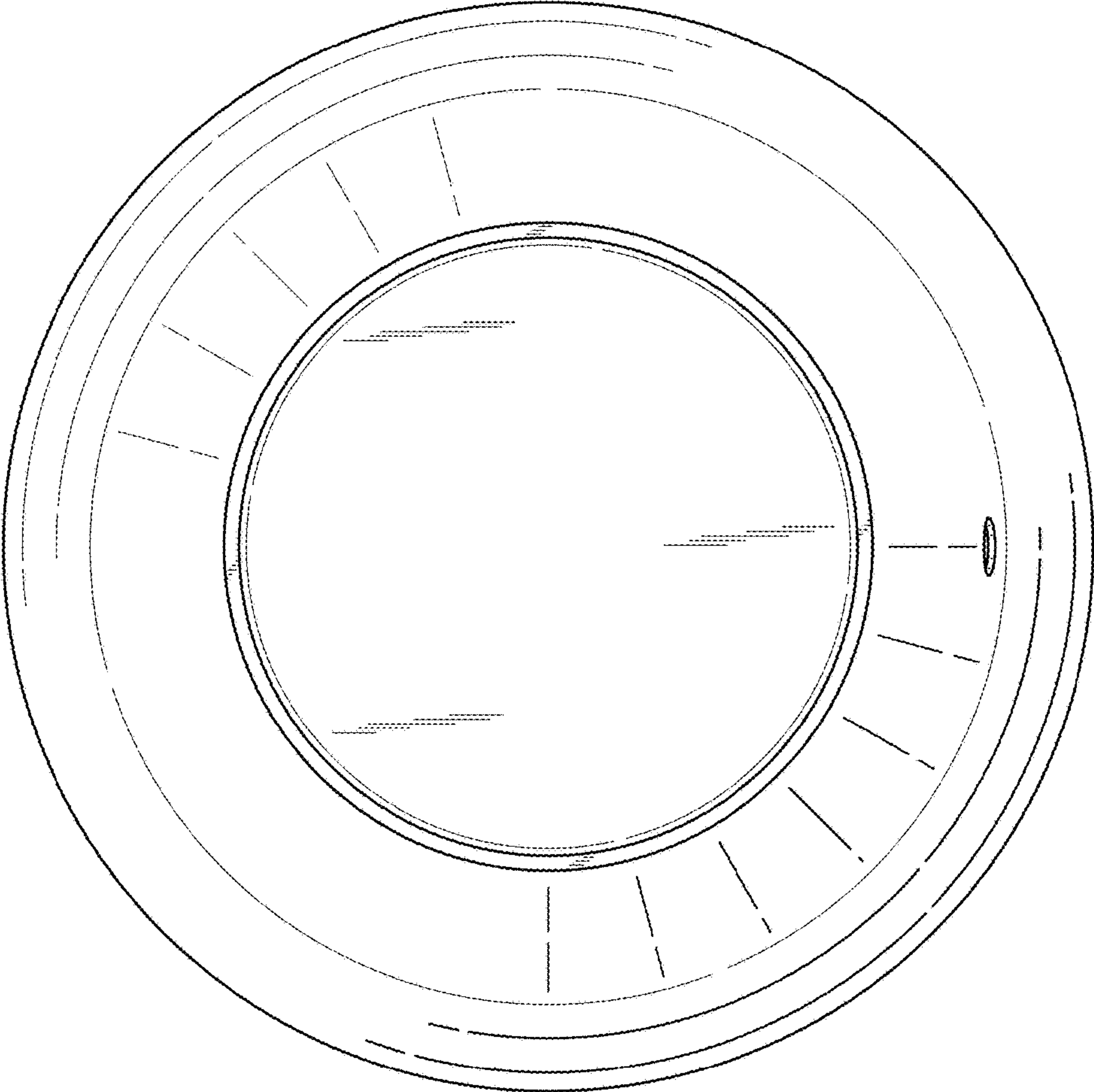


FIG. 9