



US00D840866S

(12) **United States Design Patent** (10) **Patent No.:** **US D840,866 S**
Parikh (45) **Date of Patent:** **** Feb. 19, 2019**

(54) **ARTICLE OF JEWELRY**

Primary Examiner — Cynthia Ramirez

(71) Applicant: **Rosy Blue Jewelry, Inc.**, New York, NY (US)

Assistant Examiner — L. Martinez

(74) *Attorney, Agent, or Firm* — Ostrolenk Faber LLP

(72) Inventor: **Birain Parikh**, Closter, NJ (US)

(73) Assignee: **ROSY BLUE JEWELRY, INC.**, New York, NY (US)

(57) **CLAIM**

(**) Term: **15 Years**

The ornamental design for an article of jewelry, as shown and described.

(21) Appl. No.: **29/573,545**

(22) Filed: **Aug. 8, 2016**

DESCRIPTION

(51) **LOC (11) Cl.** **11-01**

(52) **U.S. Cl.**
USPC **D11/91**

(58) **Field of Classification Search**
USPC D11/91-92, 1-3, 16, 26, 34, 35, 36
CPC A44C 17/00; A44C 17/001; A44C 17/002;
A44C 17/005; A44C 17/02; A44C
17/0208; A44C 17/0216; A44C 17/0225;
A44C 17/0233; A44C 17/04; A44C
17/043; A44C 17/046; A44C 7/00; A44C
9/00

See application file for complete search history.

FIG. 1 is a top view of a first embodiment of an article of jewelry showing my new design;
FIG. 2 is a bottom view thereof;
FIG. 3 is a front and top perspective view thereof;
FIG. 4 is a front and bottom perspective view thereof;
FIG. 5 is a left side view thereof;
FIG. 6 is a right side view thereof;
FIG. 7 is a rear view thereof;
FIG. 8 is a front view thereof;
FIG. 9 is a top view of a second embodiment of the article of jewelry showing my new design;
FIG. 10 is a bottom view of thereof;
FIG. 11 is a front and top perspective view thereof;
FIG. 12 is a front bottom perspective view thereof;
FIG. 13 is a left side view thereof;
FIG. 14 is a right side view thereof;
FIG. 15 is a rear view thereof;
FIG. 16 is a front view thereof;
FIG. 17 is a top view of a third embodiment of the article of jewelry showing my new design;
FIG. 18 is a bottom view thereof;
FIG. 19 is a front and top perspective view thereof;
FIG. 20 is a front and bottom perspective view thereof;
FIG. 21 is a left side view thereof;
FIG. 22 is a right side view thereof;
FIG. 23 is a rear view thereof; and,
FIG. 24 is a front view thereof.

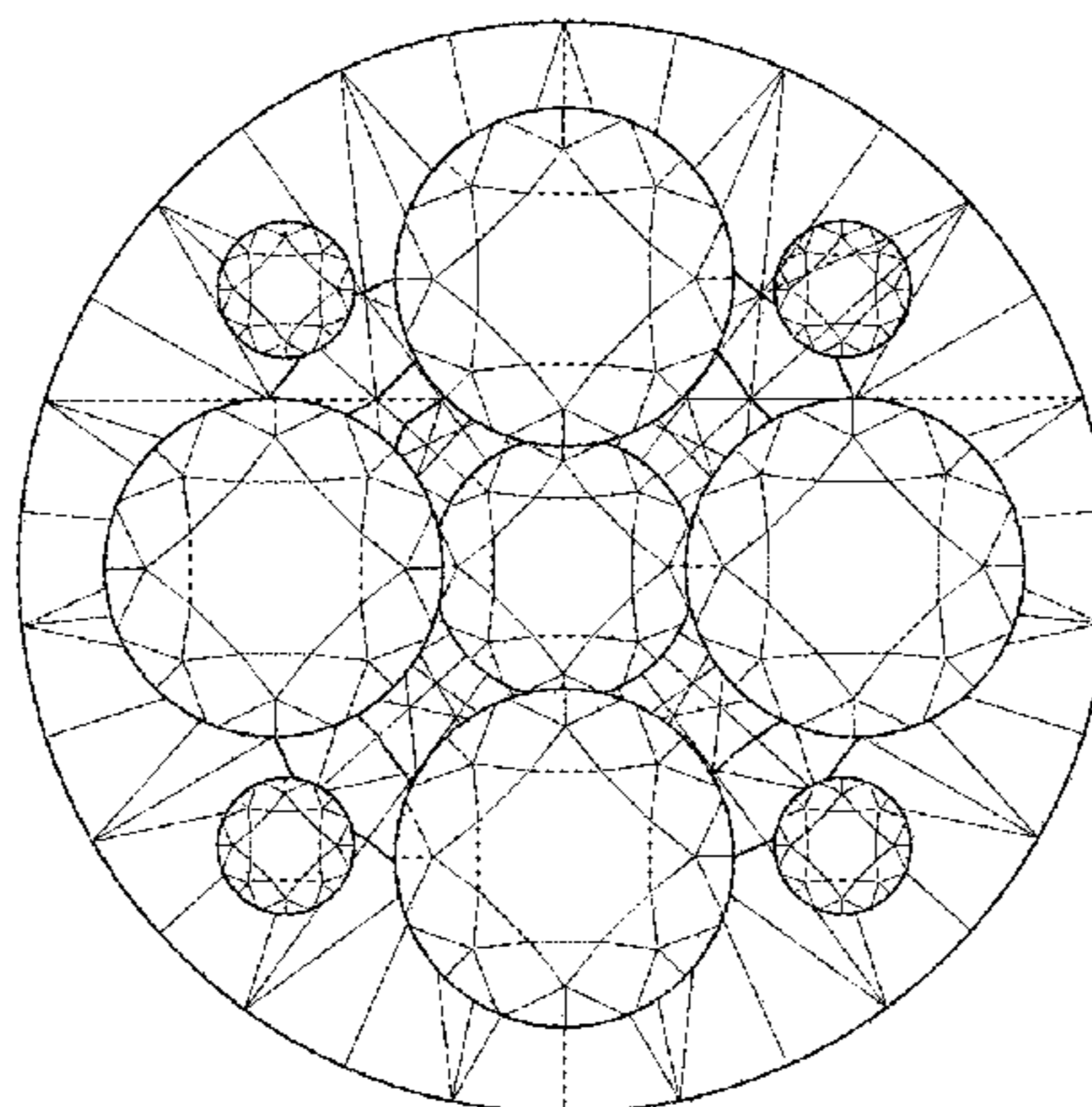
(56) **References Cited**

U.S. PATENT DOCUMENTS

D54,976	S	*	4/1920	Wittstein	D11/35
D55,260	S	*	5/1920	Fischer	D11/35
D55,597	S	*	7/1920	Felger	D11/91
D56,391	S	*	10/1920	Sudarov	D11/35
D57,217	S	*	3/1921	Eliasoff et al.	D11/36
D58,305	S	*	7/1921	Breslavsky	D11/36
D58,307	S	*	7/1921	Davidson	D11/90
2,419,520	A	*	4/1947	Tessler	A44C 17/02 63/28
5,056,337	A	*	10/1991	Nhaissi	A44C 17/02 63/26
D480,659	S	*	10/2003	Pachauer	A44C 17/04 D11/91
7,707,722	B1	*	5/2010	Kothari	A44C 17/04 29/10

(Continued)

1 Claim, 9 Drawing Sheets



(56)

References Cited

U.S. PATENT DOCUMENTS

7,762,104 B2 * 7/2010 Lin A44C 17/046
63/27
D641,651 S * 7/2011 Kothari D11/40
D642,087 S * 7/2011 Kothari D11/40
D643,767 S * 8/2011 Kothari D11/34
D647,423 S * 10/2011 Khimavat D11/40
D647,817 S * 11/2011 Kothari D11/40
D648,651 S * 11/2011 Sin D11/40
D654,394 S * 2/2012 Kothari D11/40
D680,897 S * 4/2013 Li D11/91
D684,085 S * 6/2013 Papadimitriou D11/42
D687,337 S * 8/2013 Kothari D11/91
D693,726 S * 11/2013 Kothari D11/91
D697,451 S * 1/2014 Dholakiya D11/91
D697,831 S * 1/2014 Dholakiya D11/91
D699,146 S * 2/2014 Dholakiya D11/91
D703,090 S * 4/2014 Dholakiya D11/91
D709,403 S * 7/2014 Sanghvi D11/91

D709,791 S * 7/2014 Sanghvi D11/91
D718,181 S * 11/2014 Kothari D11/92
D728,412 S * 5/2015 Dobashi D11/91
D743,296 S * 11/2015 Mehta D11/90
D751,939 S * 3/2016 Vartanian D11/91
D755,665 S * 5/2016 Krainz D11/91
D762,510 S * 8/2016 de Castellane D11/1
D783,446 S * 4/2017 Kothari D11/91
D786,730 S * 5/2017 Krainz D11/34
D786,731 S * 5/2017 Krainz D11/34
D786,732 S * 5/2017 Krainz D11/34
D789,235 S * 6/2017 Krainz D11/34
D791,012 S * 7/2017 Krainz D11/91
D798,188 S * 9/2017 Wong D11/92
D812,518 S * 3/2018 Yep D11/92
D813,078 S * 3/2018 Krainz D11/26
D815,559 S * 4/2018 Yep D11/91
D819,094 S * 5/2018 Hume D15/90
D820,716 S * 6/2018 Sallard D11/34
2009/0056376 A1 * 3/2009 Lin A44C 17/046
63/28

* cited by examiner

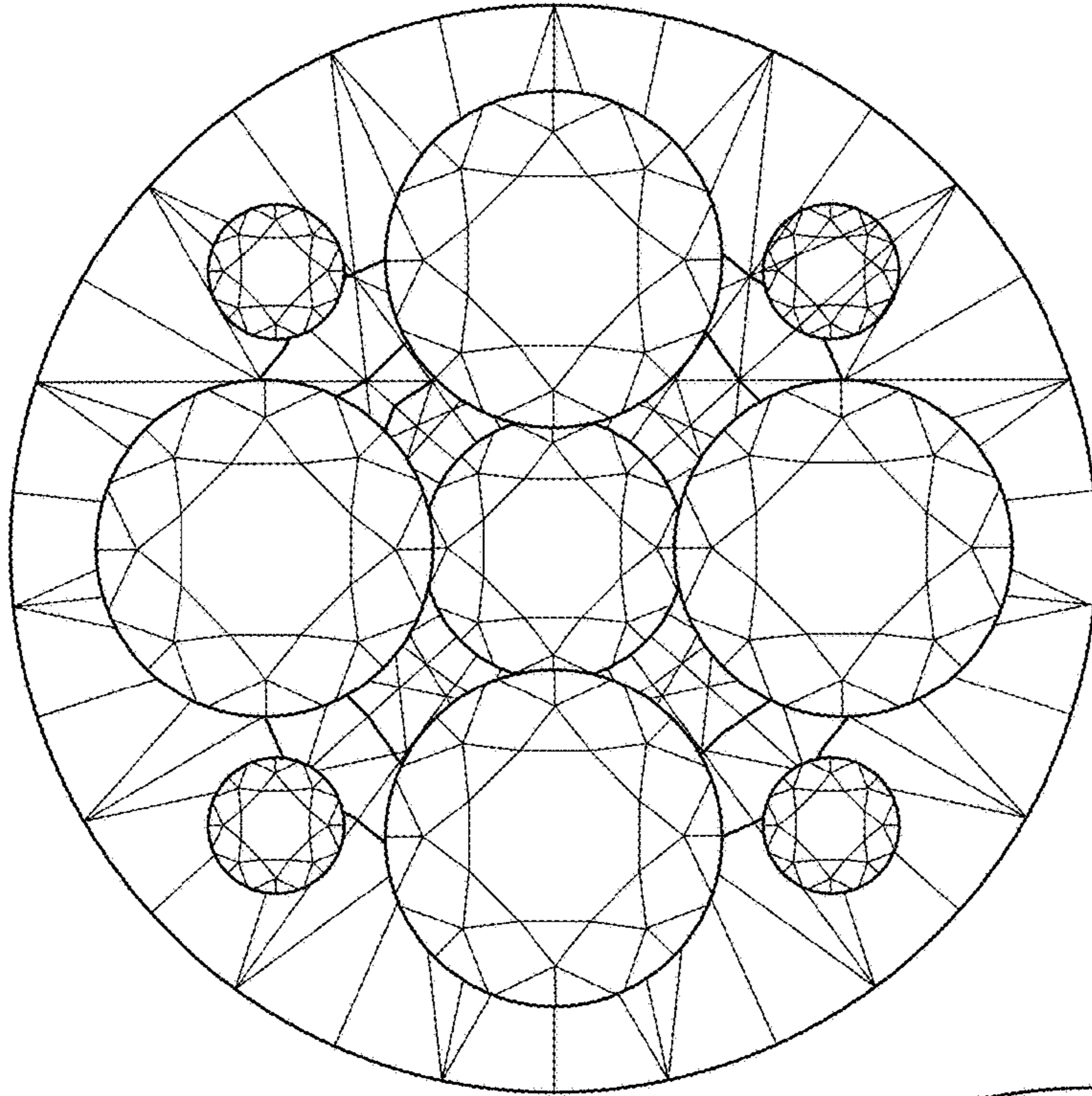


FIG. 1

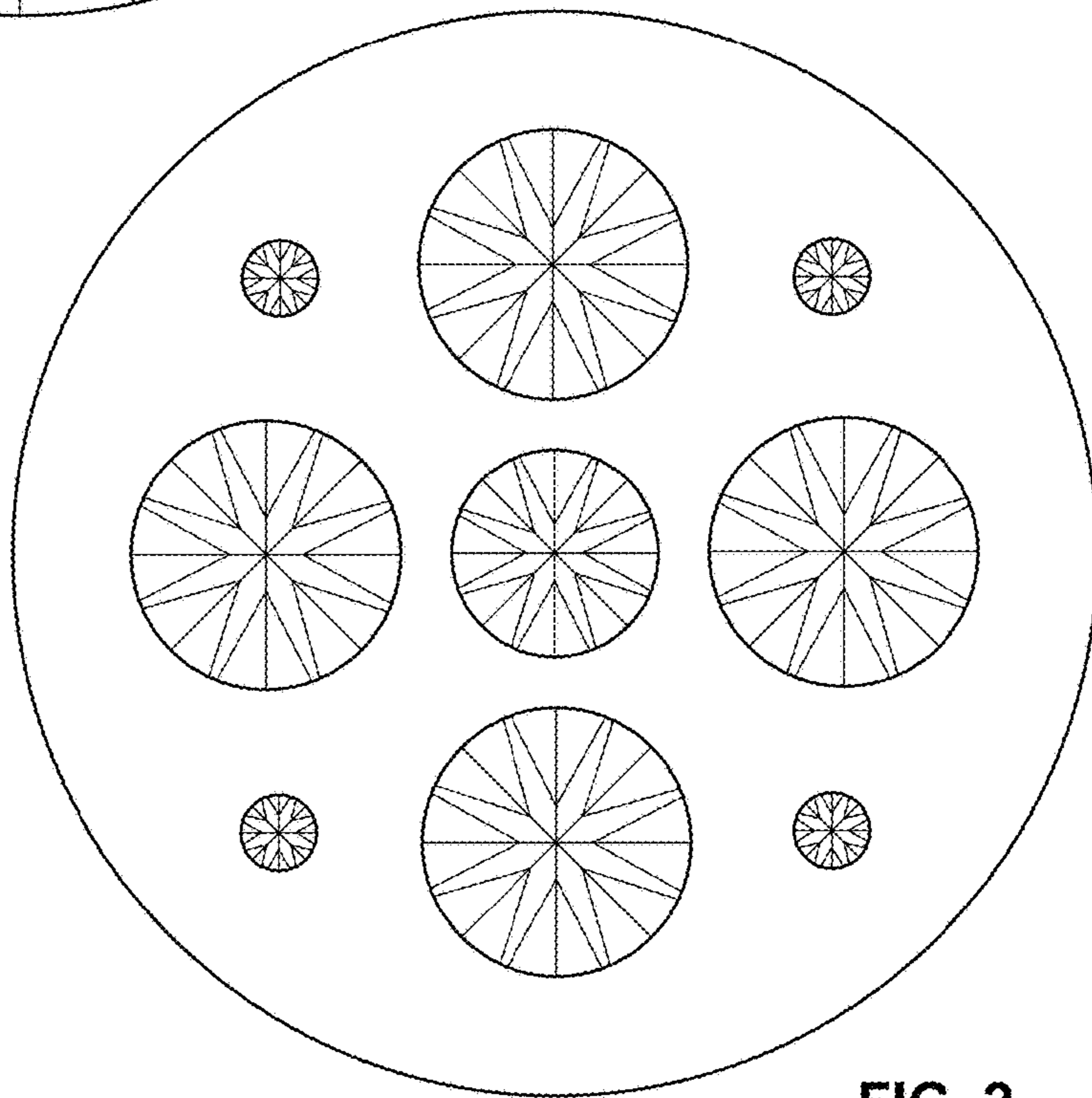


FIG. 2

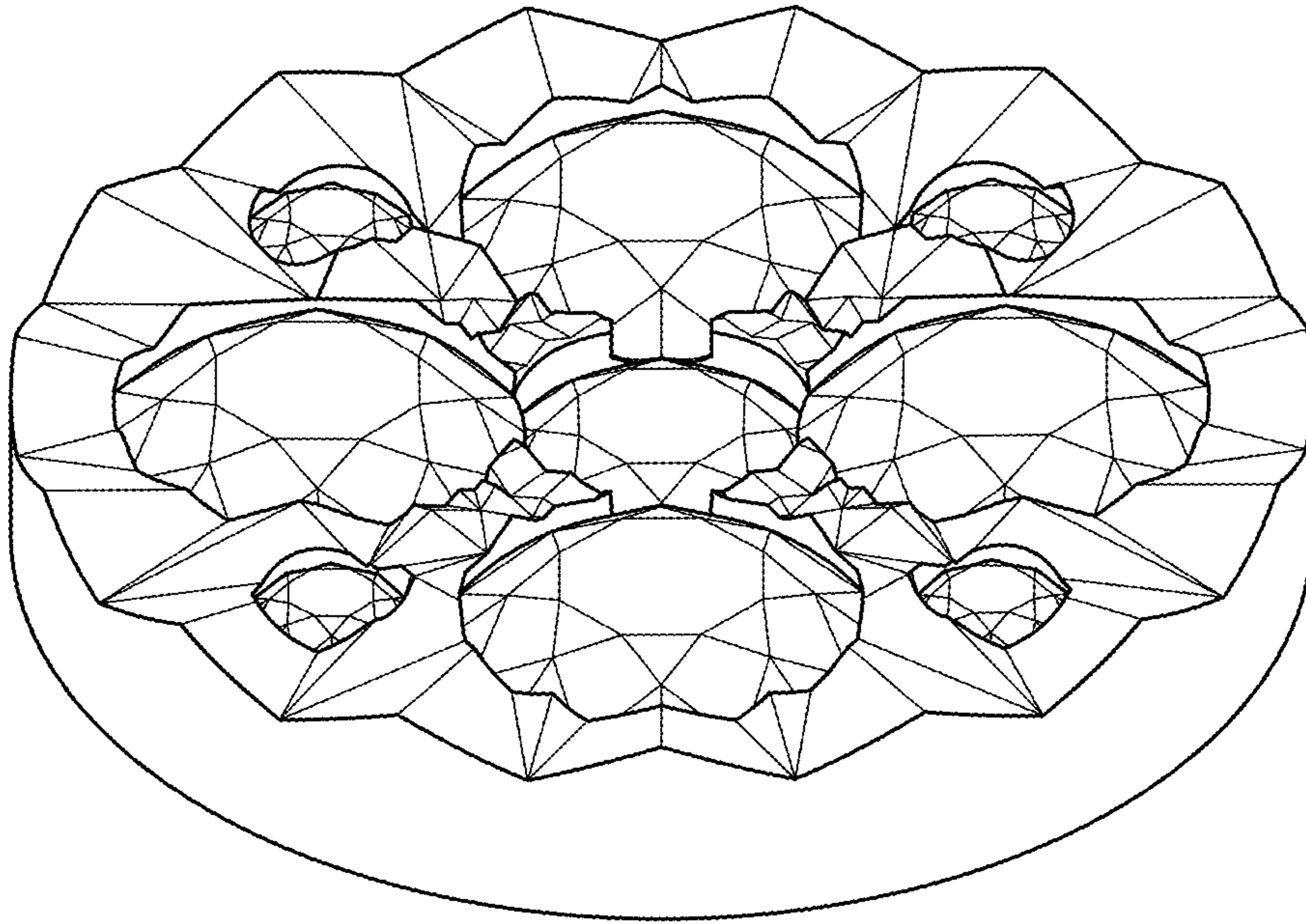


FIG. 3

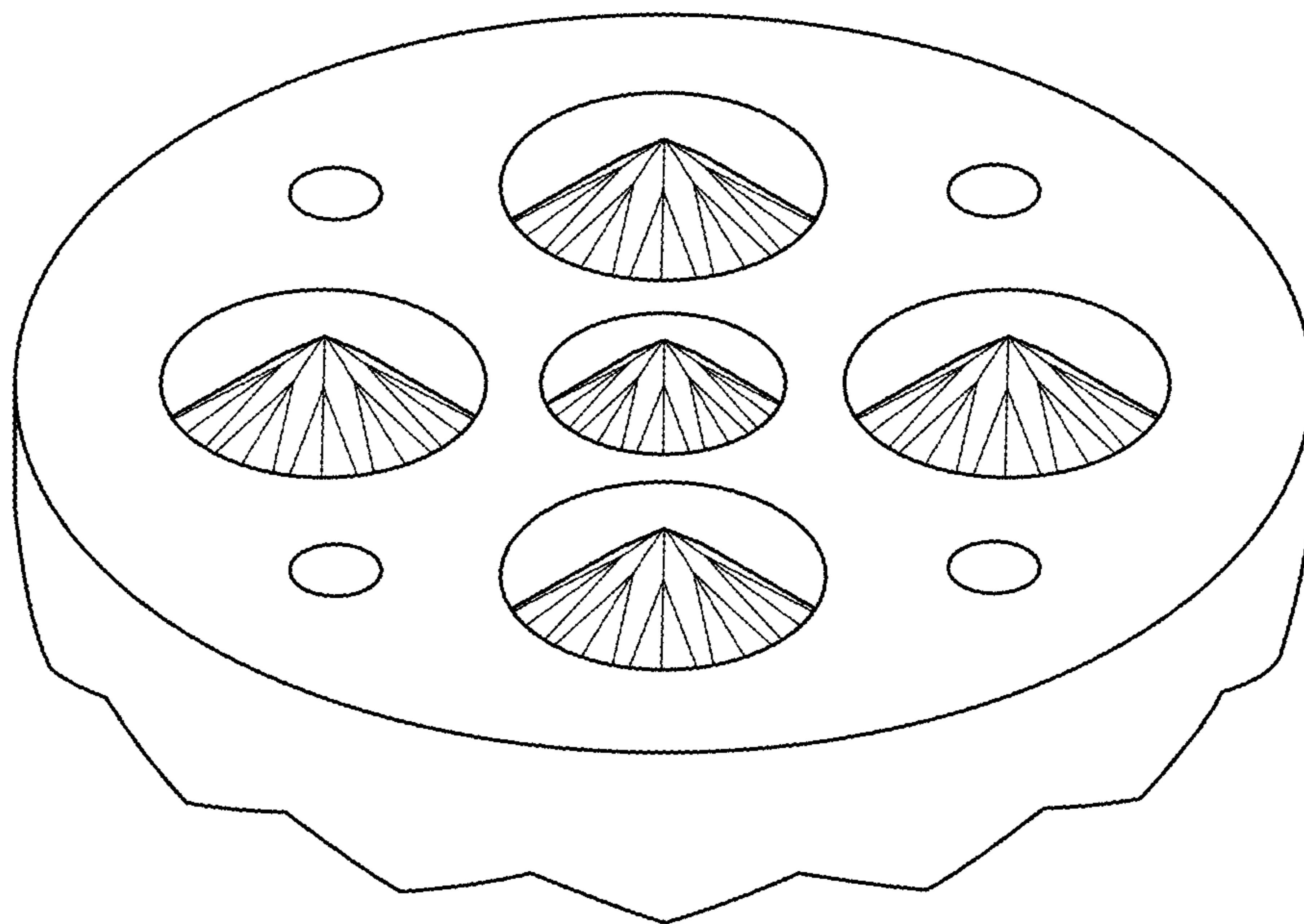


FIG. 4

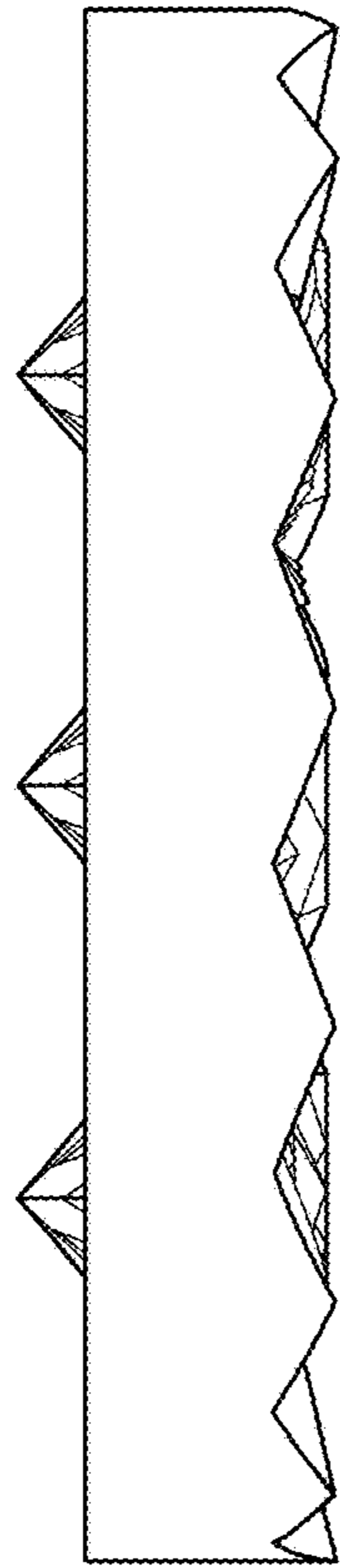


FIG. 5

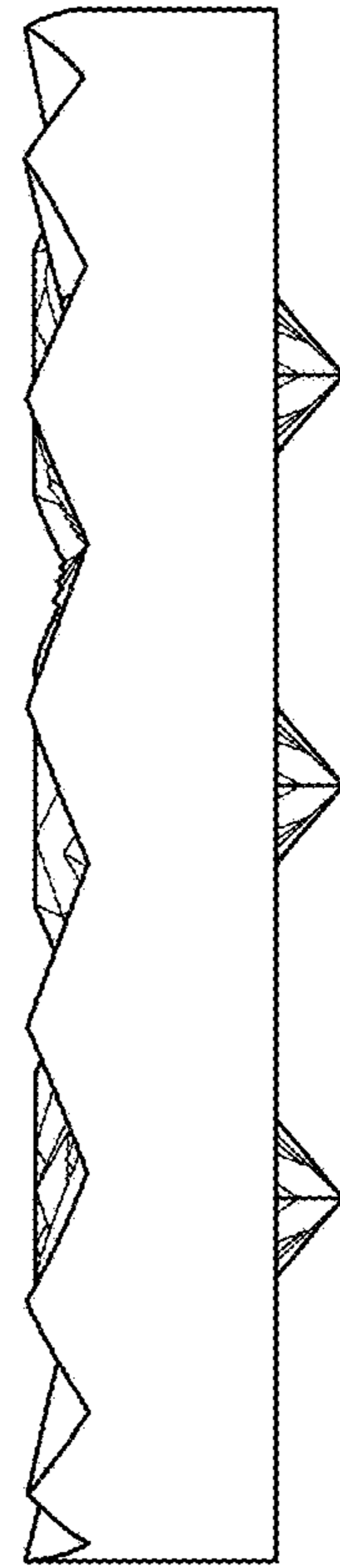


FIG. 6

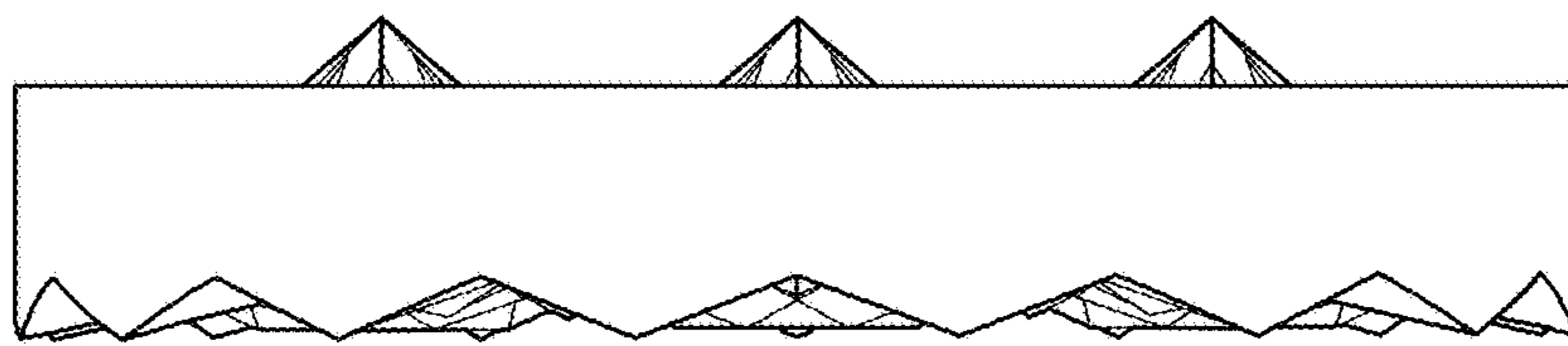


FIG. 7

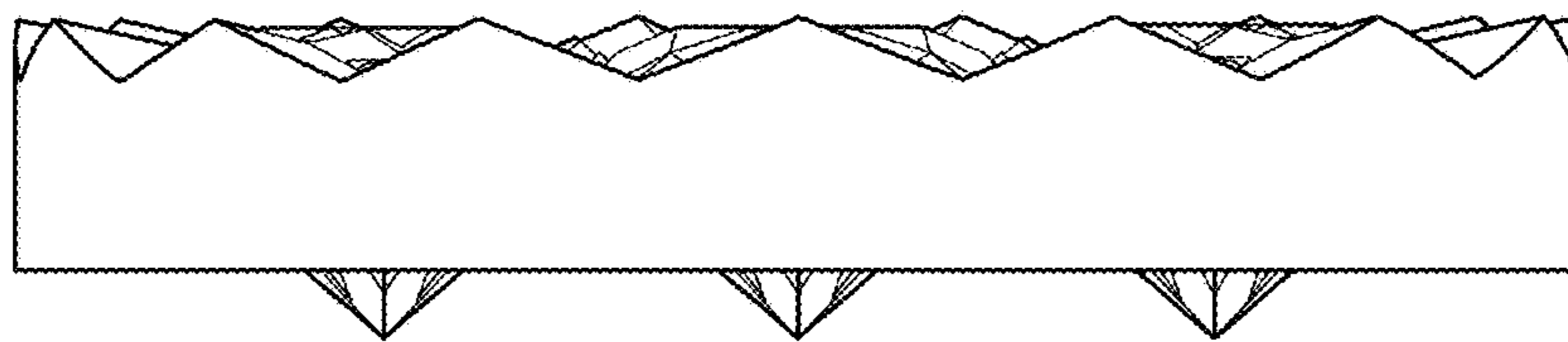


FIG. 8

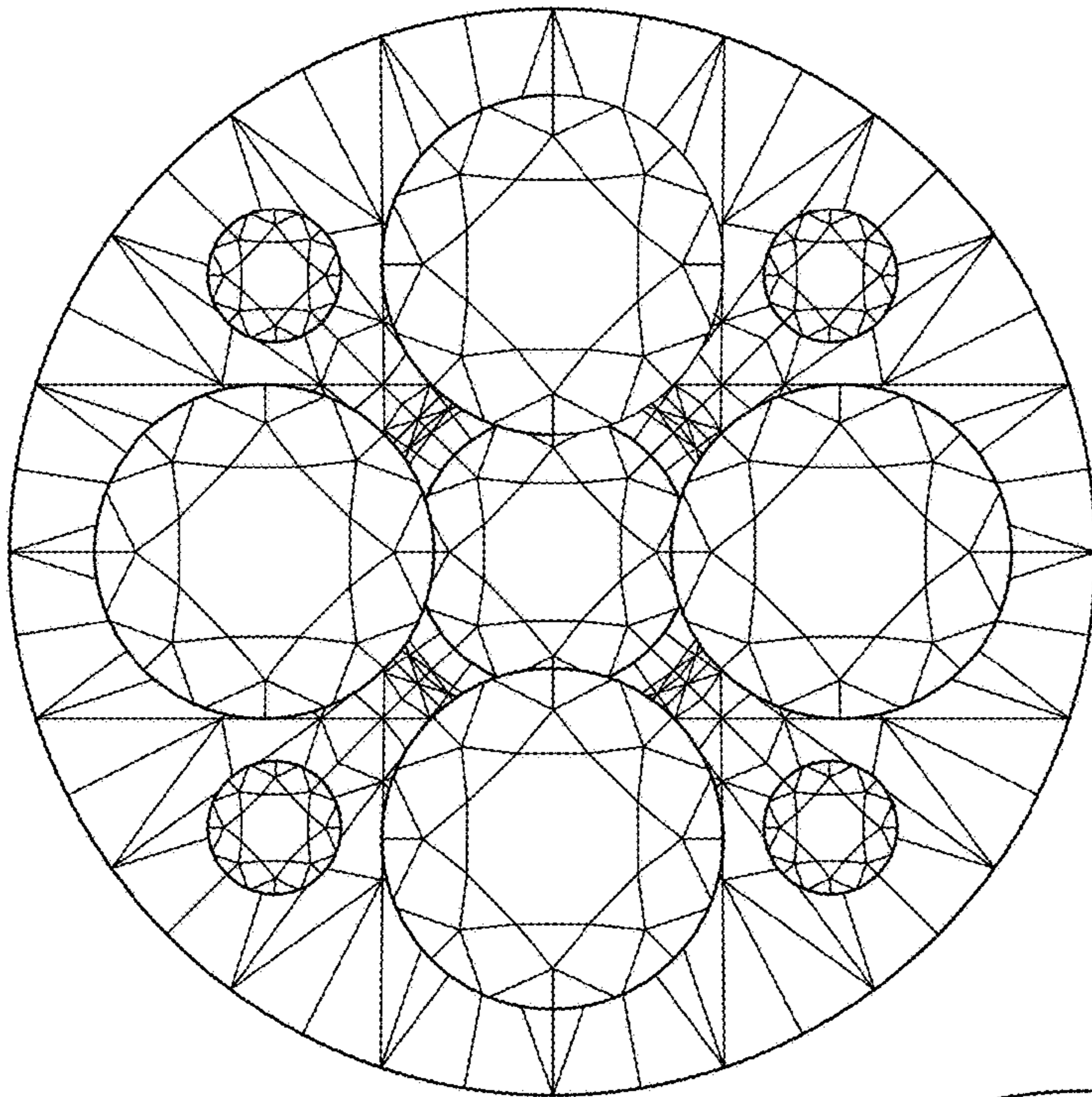


FIG. 9

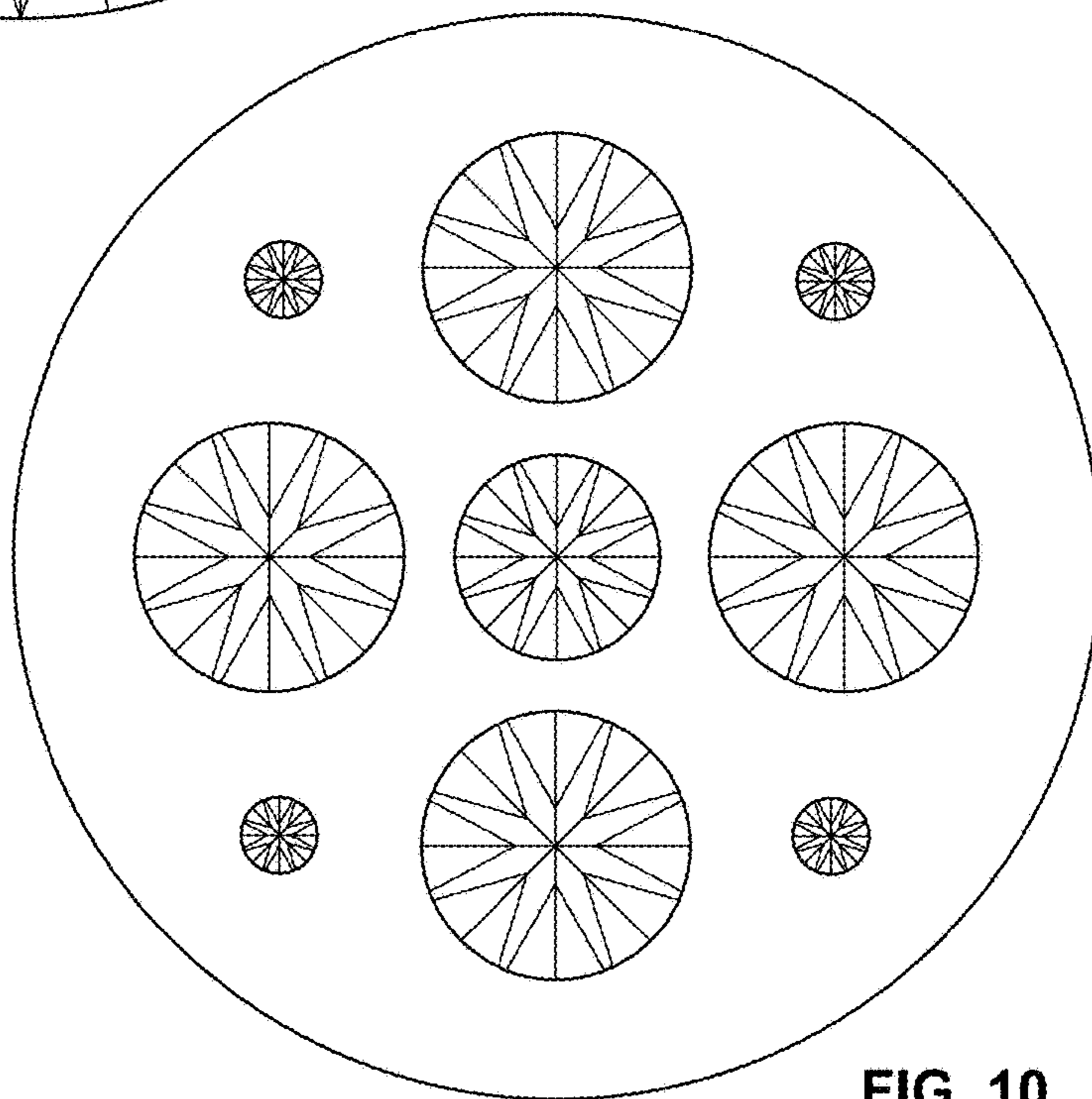


FIG. 10

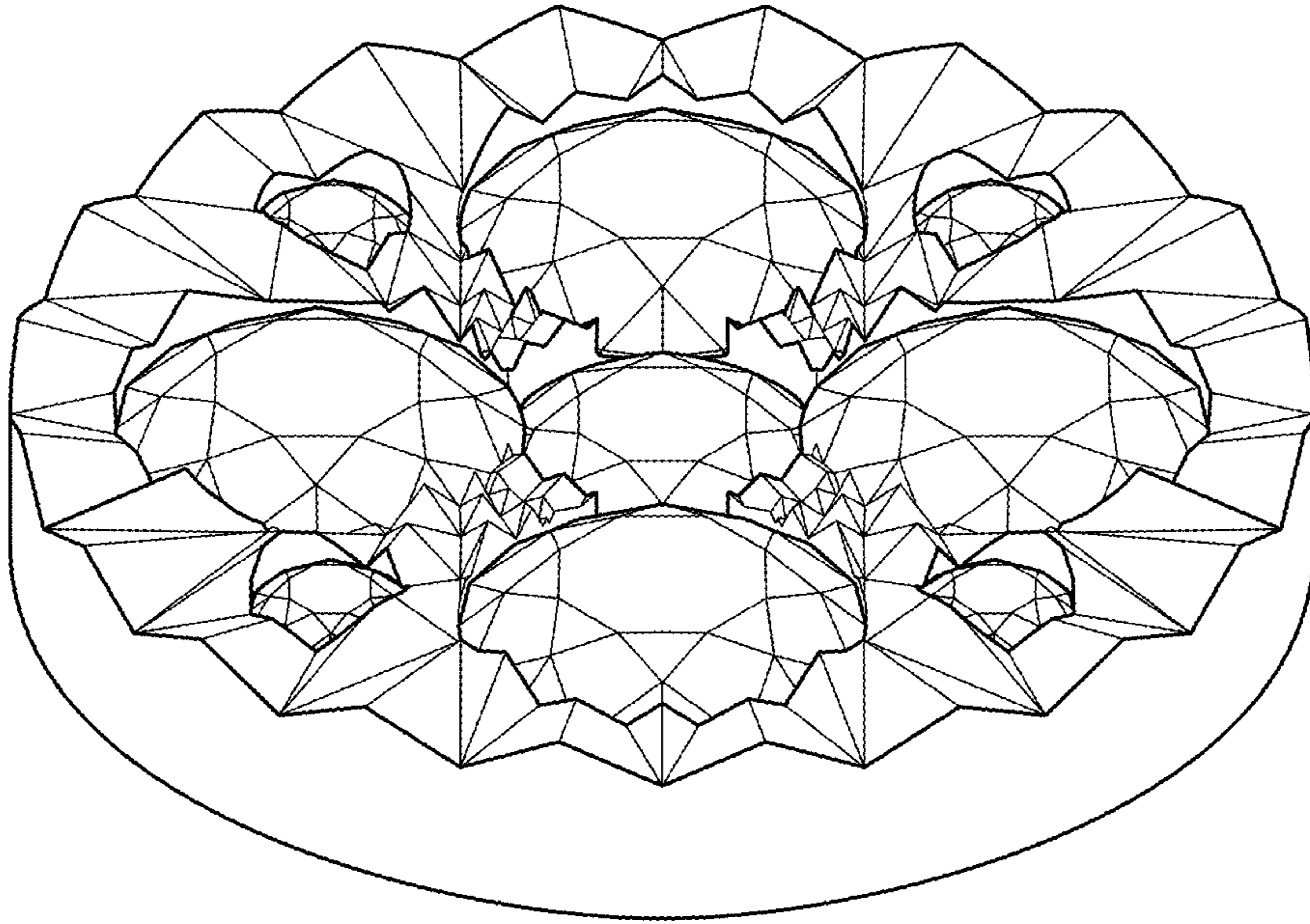


FIG. 11

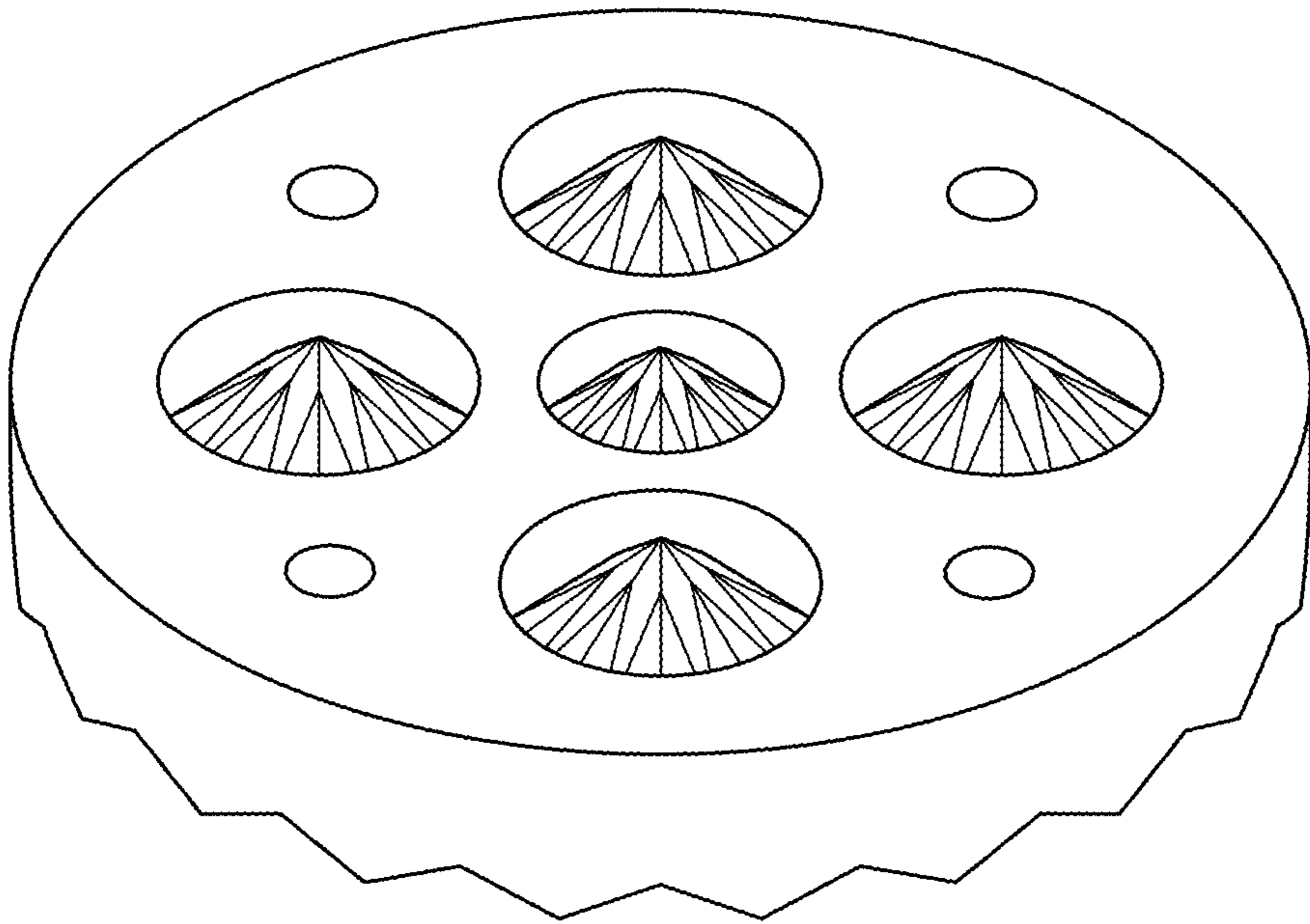


FIG. 12

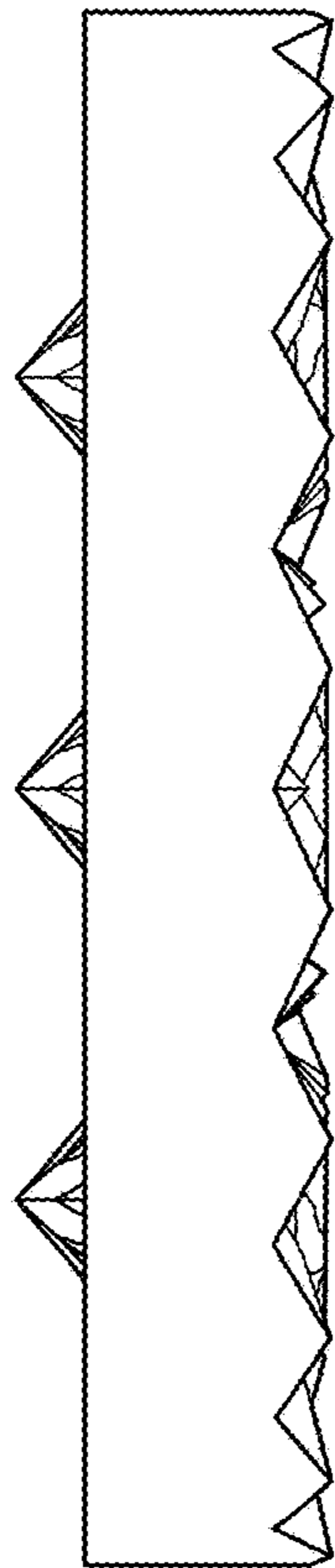


FIG. 13

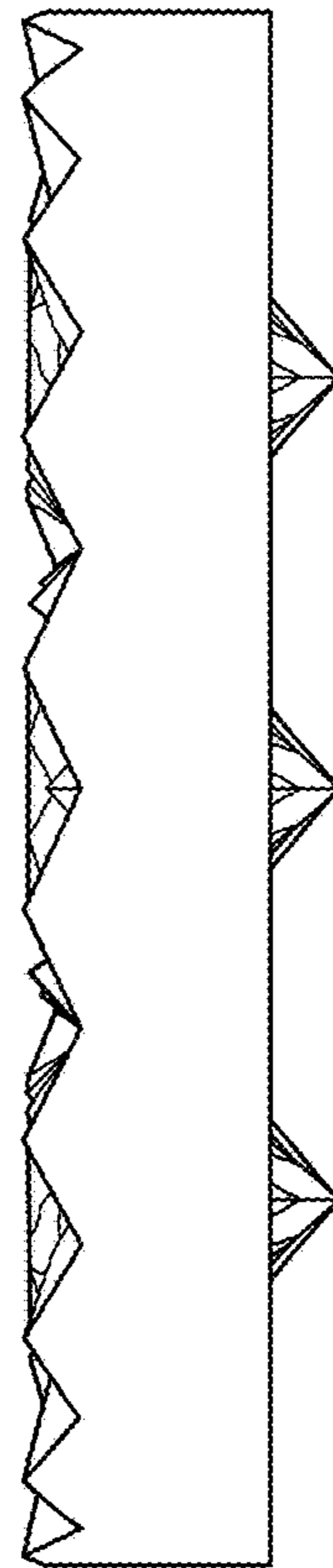


FIG. 14

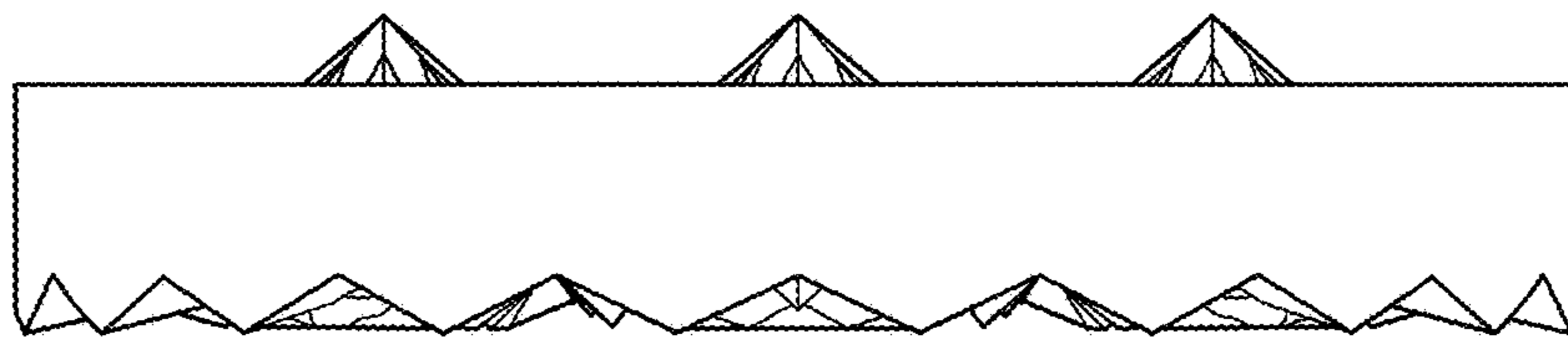


FIG. 15

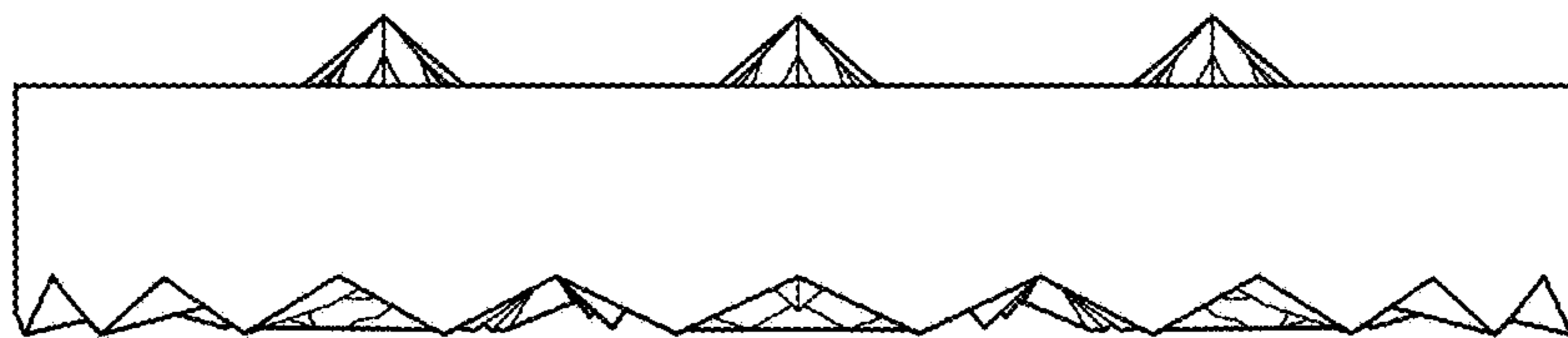


FIG. 16

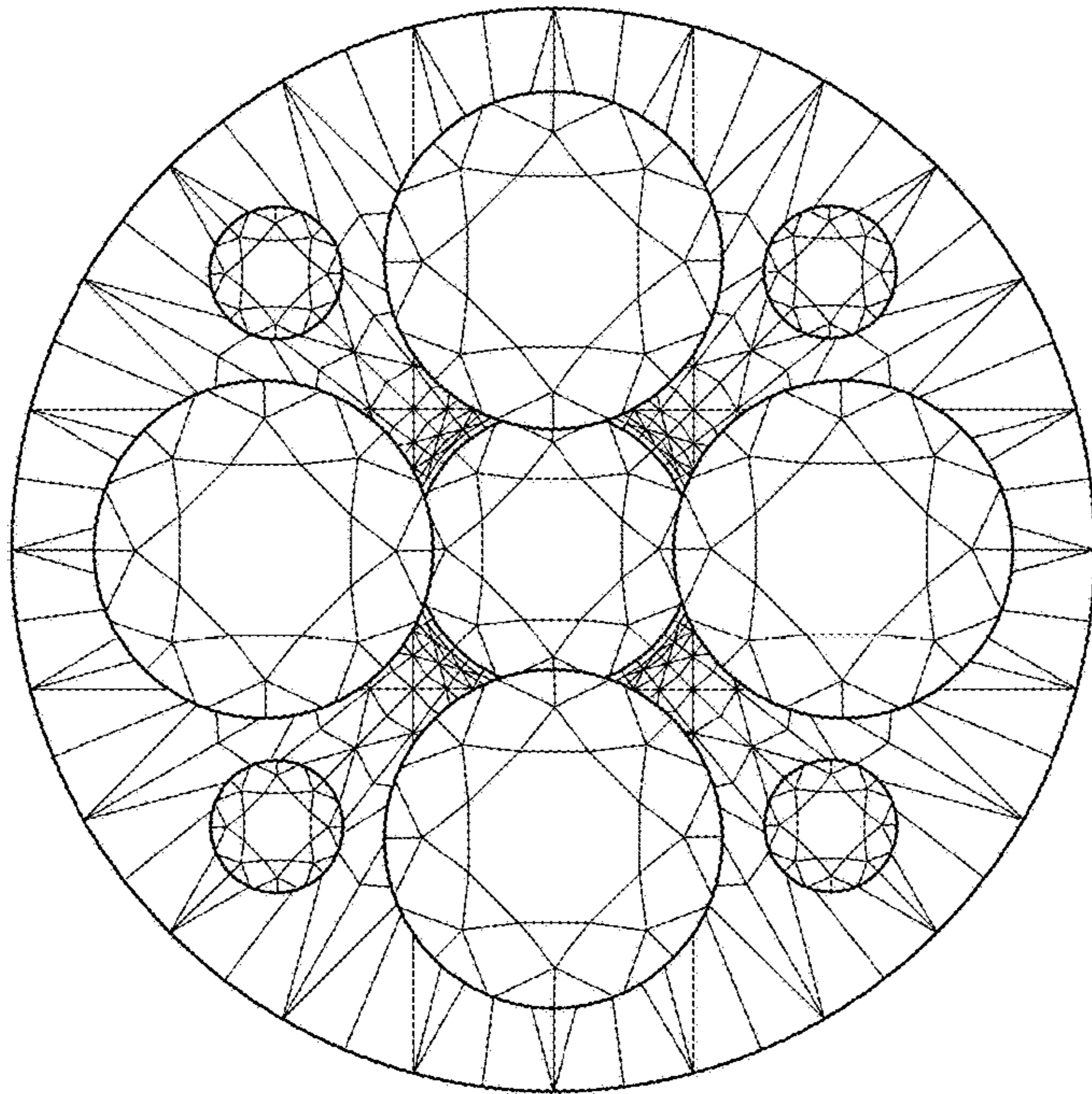


FIG. 17

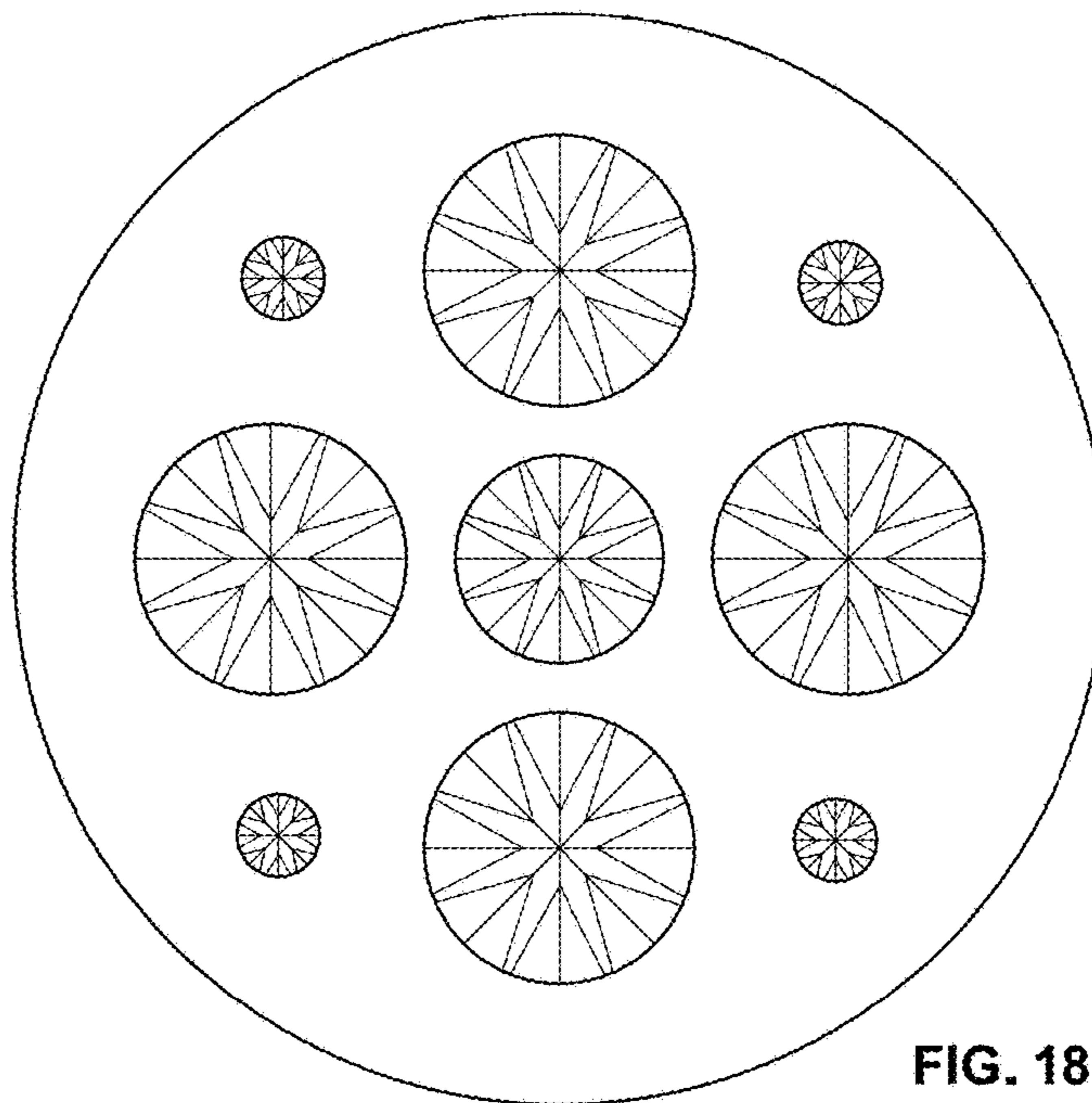


FIG. 18

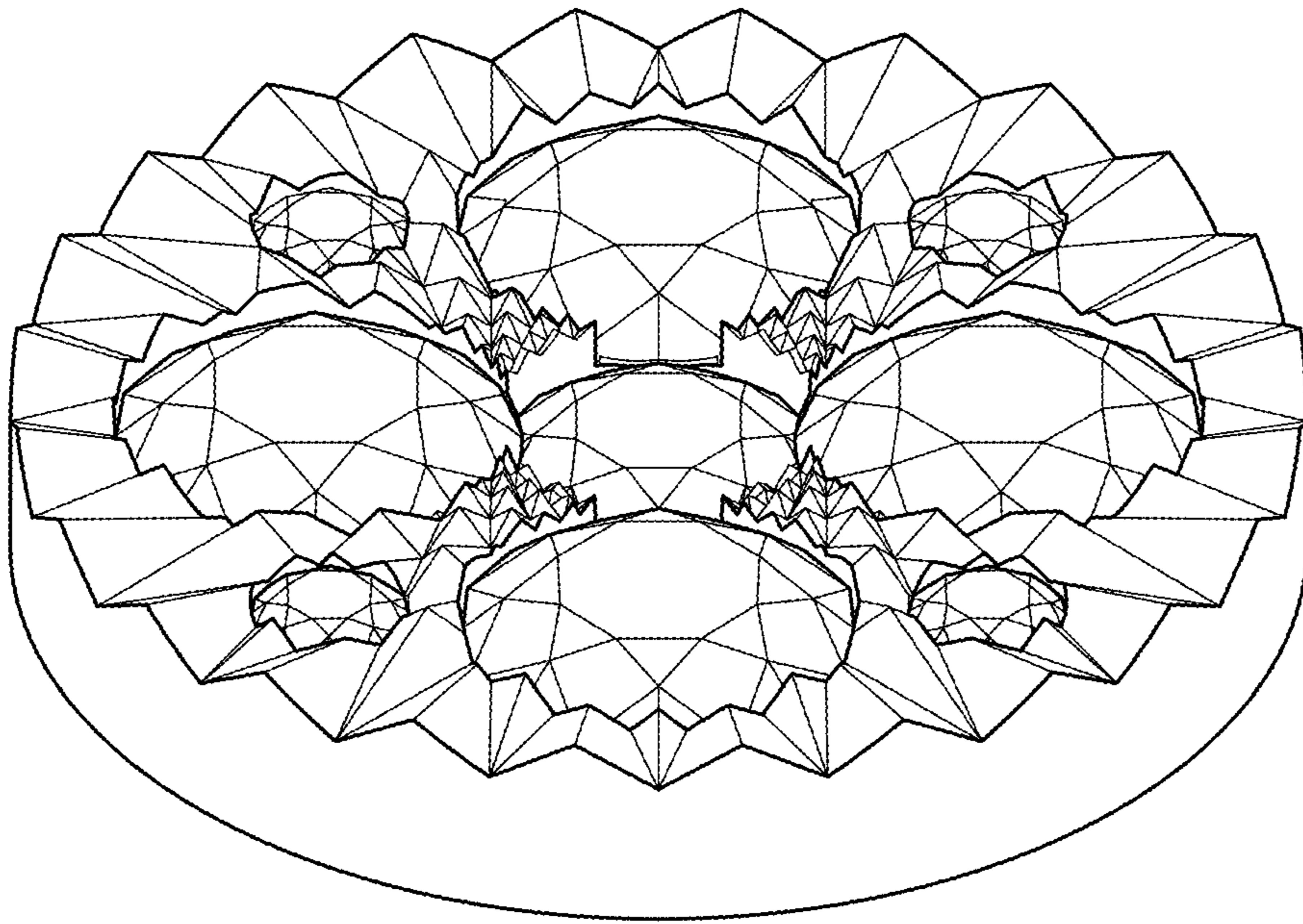


FIG. 19

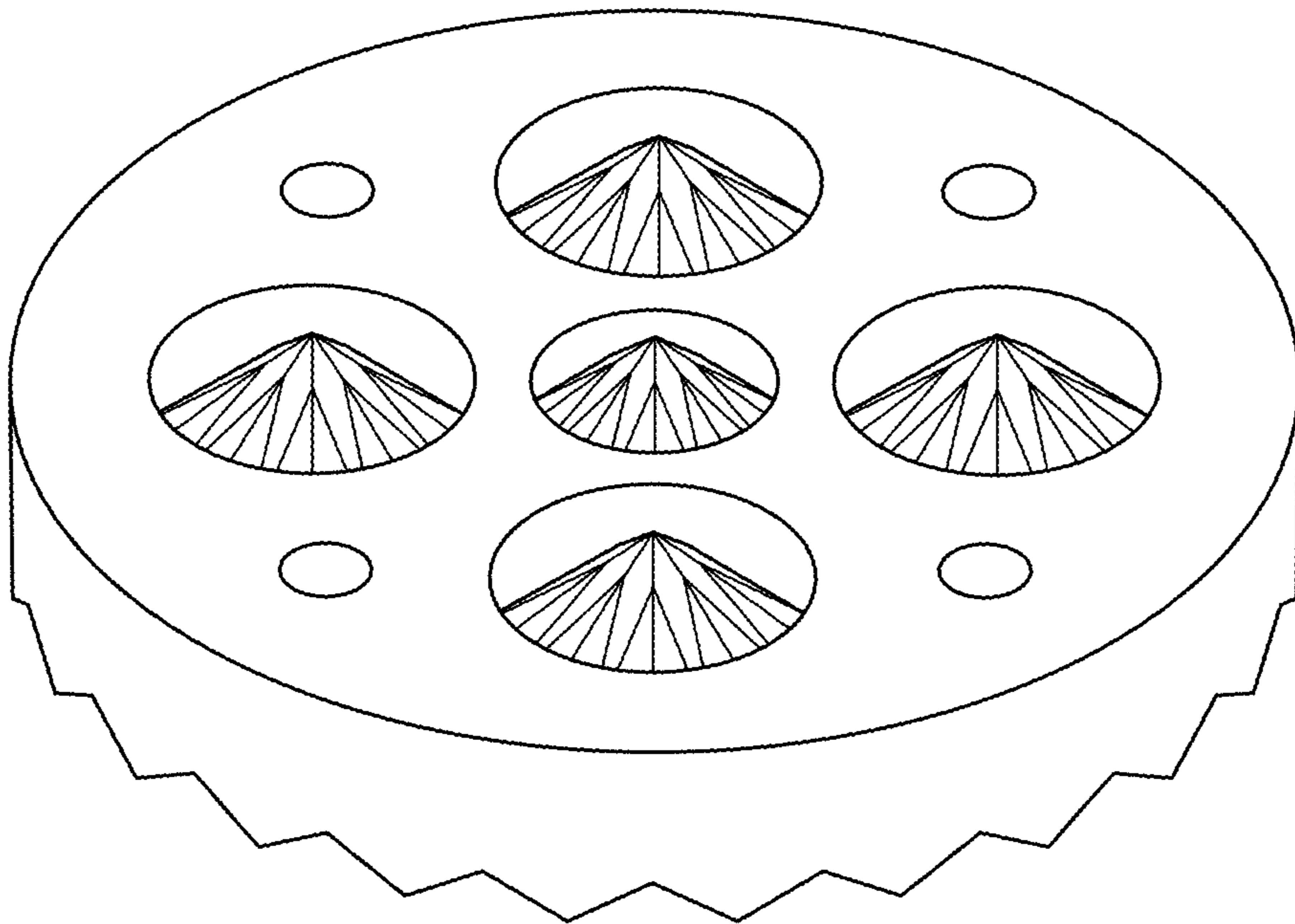


FIG. 20

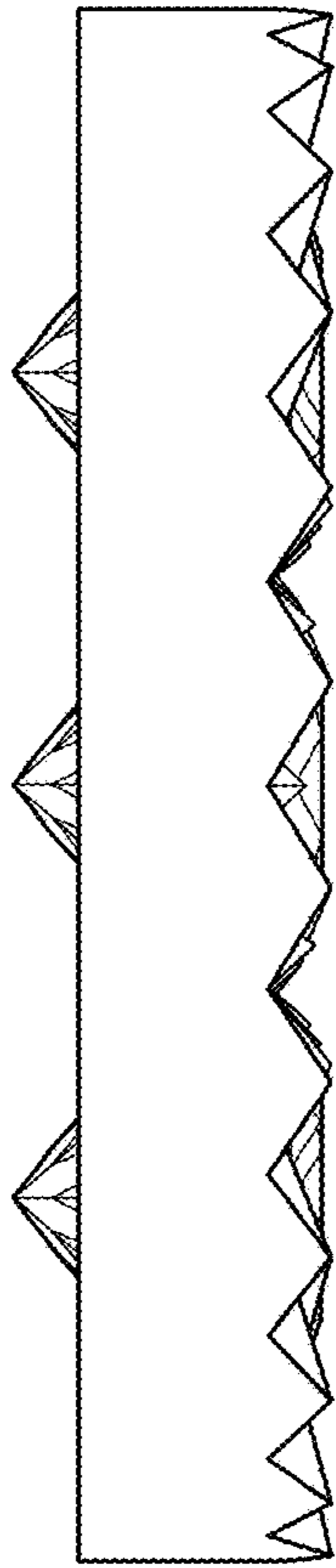


FIG. 21

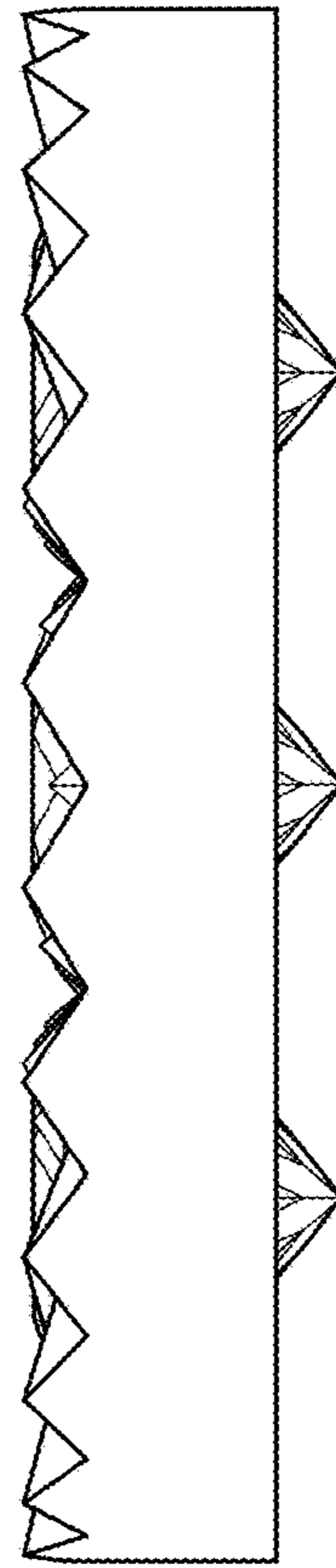


FIG. 22

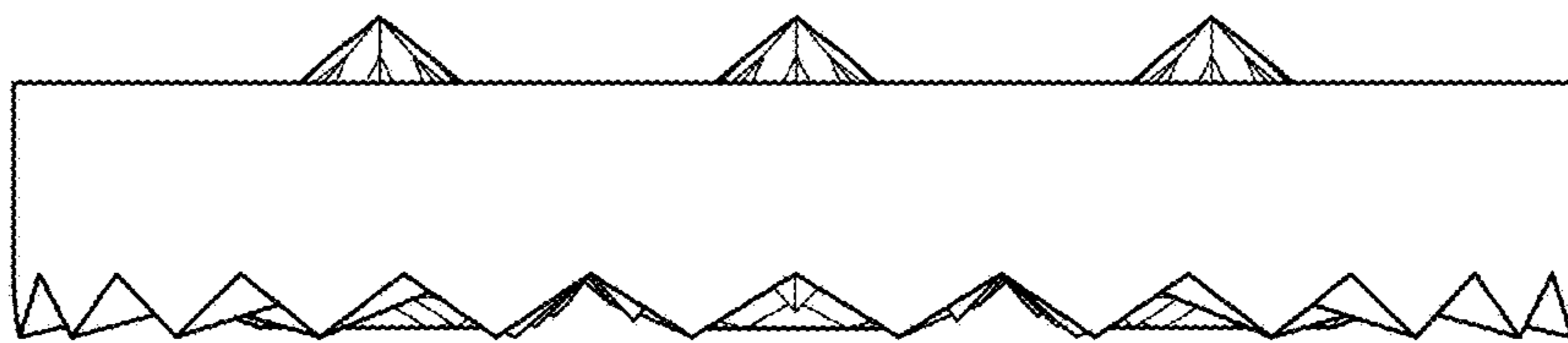


FIG. 23

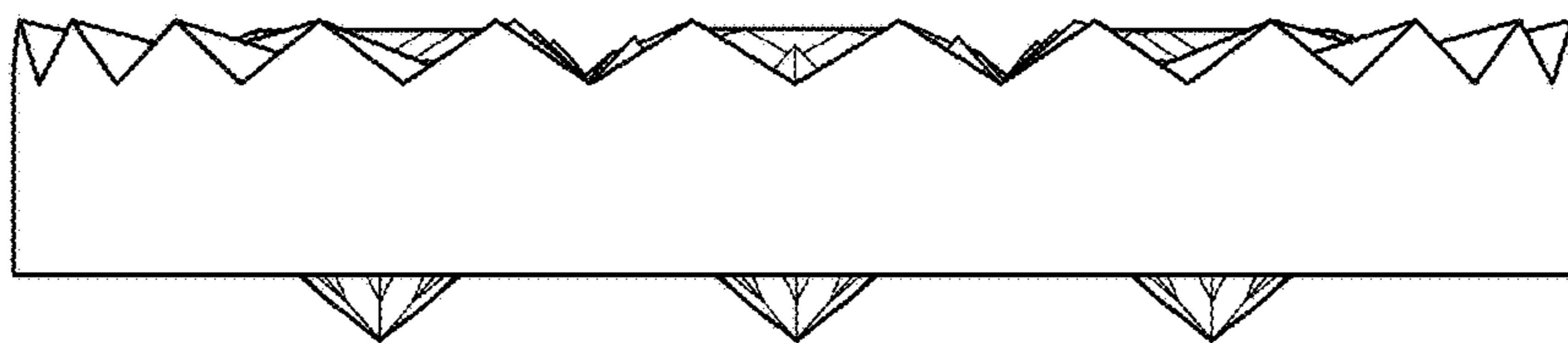


FIG. 24