

US00D840860S

(12) **United States Design Patent**
Zhang

(10) **Patent No.:** **US D840,860 S**

(45) **Date of Patent:** **** Feb. 19, 2019**

(54) **WATCH BAND**

(71) Applicant: **Qifan Zhang**, Guangdong (CN)

(72) Inventor: **Qifan Zhang**, Guangdong (CN)

(**) Term: **15 Years**

(21) Appl. No.: **29/607,243**

(22) Filed: **Jun. 12, 2017**

(51) **LOC (11) Cl.** **11-01**

(52) **U.S. Cl.**
USPC **D11/3**

(58) **Field of Classification Search**

USPC D10/31, 32, 38, 39, 46, 70; D11/1-25,
D11/86, 87; D14/344
CPC A44C 5/12; A44C 5/14; A44C 5/18; A44C
5/0053; A44C 5/0069; A44C 5/0076;
A44C 5/00; A44C 5/0007; A44C 5/0015;
A44C 5/0023; A44C 5/003; A44C
5/0061; A44C 5/147; A44C 5/185; A44C
5/2047; A44C 5/2052; G04B 37/00;
G04B 37/1486; A44B 11/006; A44B
11/24

See application file for complete search history.

(56) **References Cited**

U.S. PATENT DOCUMENTS

D285,422	S *	9/1986	Grimes	D10/32
D327,440	S *	6/1992	Galli	D10/126
D339,748	S *	9/1993	Choi	D10/126
D349,257	S *	8/1994	Polenberg	D11/3
D571,249	S *	6/2008	Frederick	D10/104.1
D726,056	S *	4/2015	Riddiford	D11/3
D821,245	S *	6/2018	Lowe	D11/3
D821,246	S *	6/2018	Akana	D11/3
D822,526	S *	7/2018	Lean	D11/3
D826,763	S *	8/2018	Chuang	D11/3
2018/0235327	A1 *	8/2018	Bayley	A44C 5/2071

OTHER PUBLICATIONS

HUMENN for Fitbit Charge 2 Bands (available online) Retrieved from the internet Sep. 10, 2018 from URL: https://www.wantitall.co.za/electronics/humenn-for-fitbit-charge-2-bands-replacement-accessory-sport-strap-band-for-fitbit-charge-2-hr-large__b06xfqpbwc.*

HUMENN Bands Compatible for Fitbit Charge 2 (available online) Retrieved from the internet Sep. 10, 2018 from URL: https://www.amazon.com/HUMENN-Compatible-Fitbit-Replacement-Accessory/dp/B075NN7D4L/ref=sr_1_1?ie=UTF8&qid=1536600985&sr=8-1&keywords=Humenn.*

MS755 watch strap (available online) Retrieved from the internet Sep. 10, 2018 from URL: http://online.pubhtml5.com/bule/odwt/files/large/21.jpg.*

Fitbit Ionic Sport Band (available online) Retrieved from the internet Sep. 10, 2018 from URL: https://www.fitbit.com/shop/accessories/ionic-sport?color=cobalt-lime&band=sport.*

* cited by examiner

Primary Examiner — Kevin K Rudzinski

Assistant Examiner — Richard Kearney

(74) *Attorney, Agent, or Firm* — Li & Cai Intellectual Property (USA) Office

(57) **CLAIM**

The ornamental design for a “watch band,” as shown and described.

DESCRIPTION

FIG. 1 is a perspective view of a watch band showing my new design;

FIG. 2 is a front view thereof;

FIG. 3 is a rear view thereof;

FIG. 4 is a left side view thereof;

FIG. 5 is a right side view thereof;

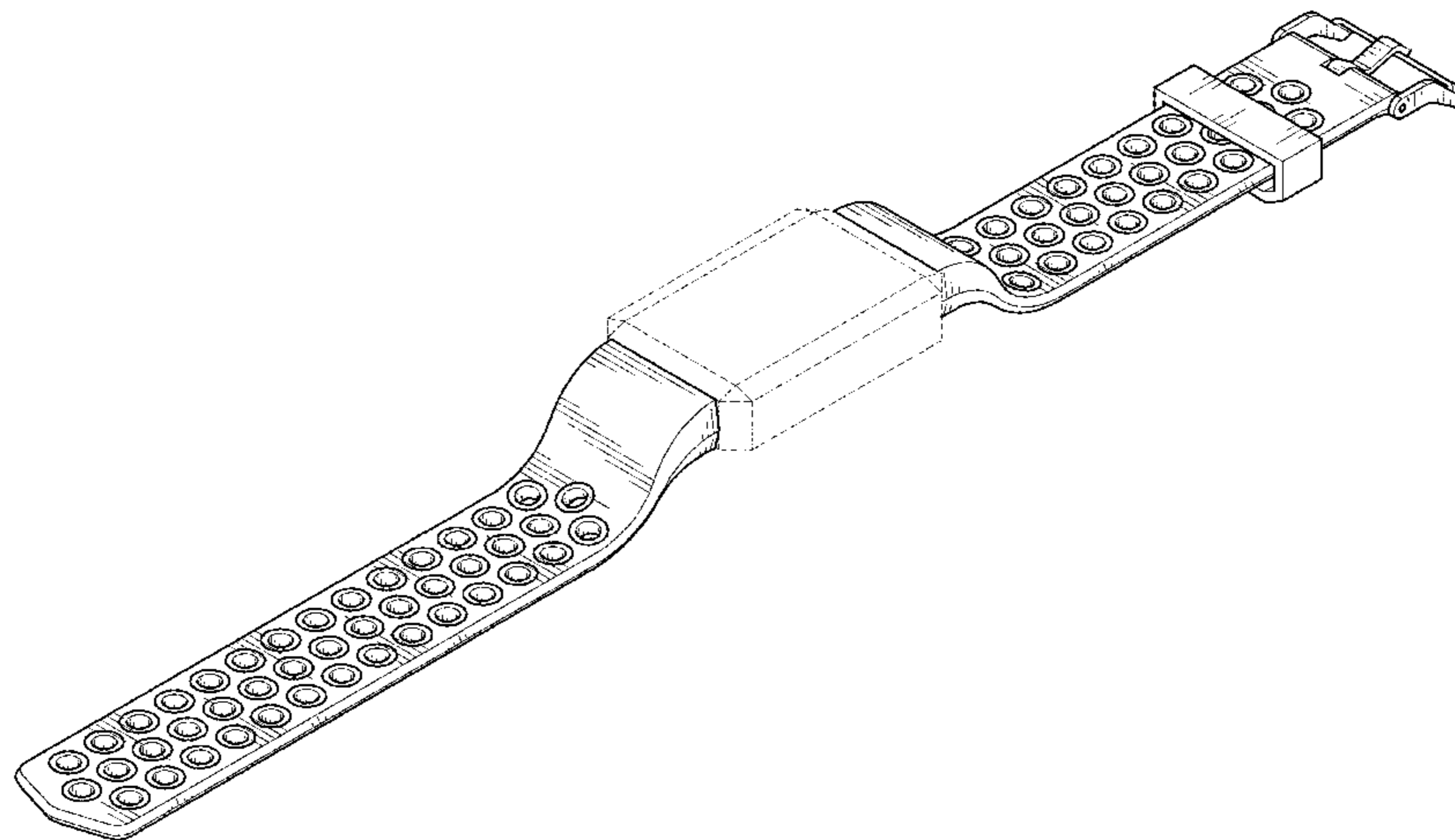
FIG. 6 is a top view thereof;

FIG. 7 is a bottom view thereof; and,

FIG. 8 is a perspective view viewed from another visual angle thereof.

The broken lines shown in the drawings illustrate environmental structure that forms no part of the claimed design.

1 Claim, 5 Drawing Sheets



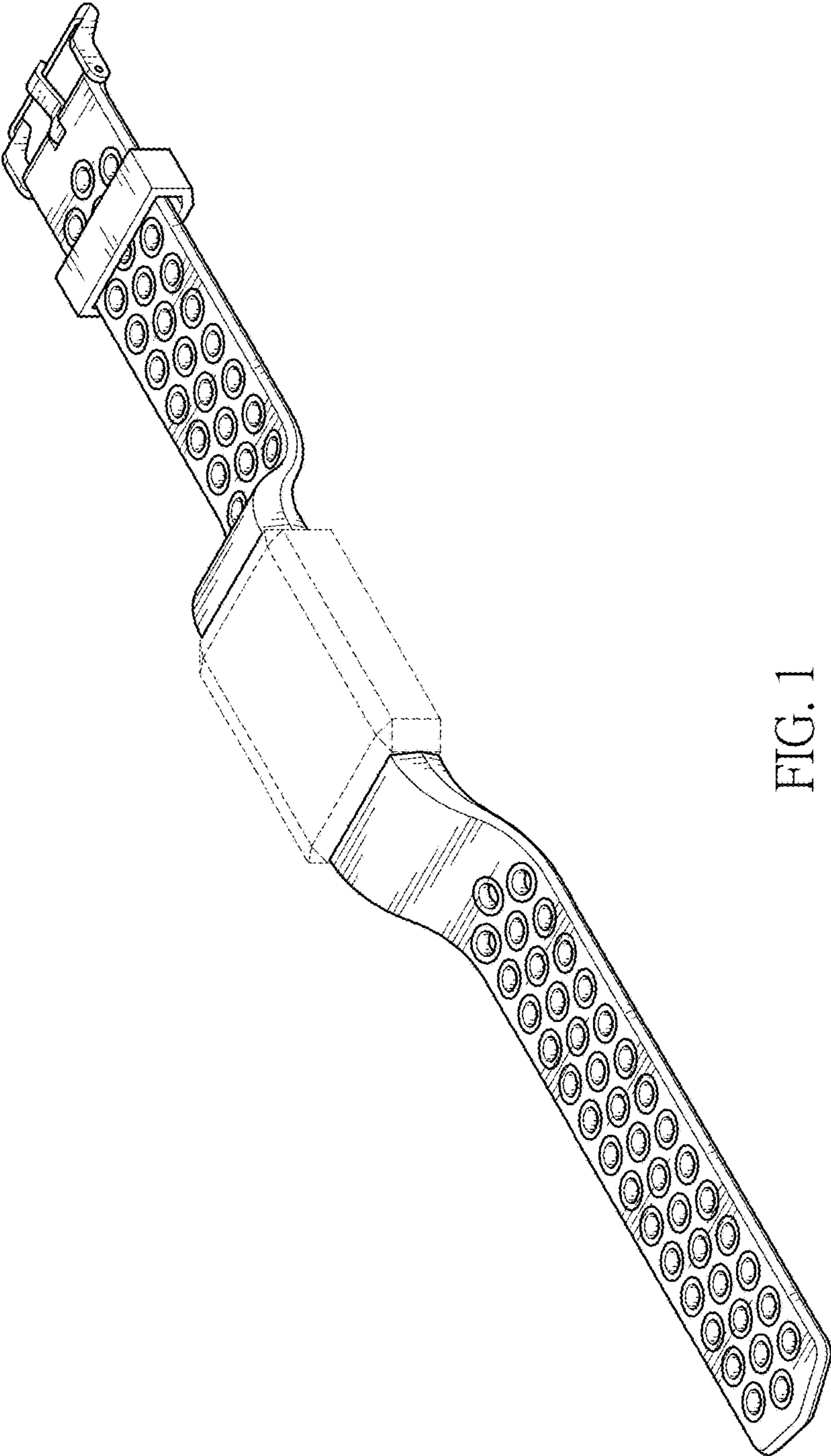


FIG. 1

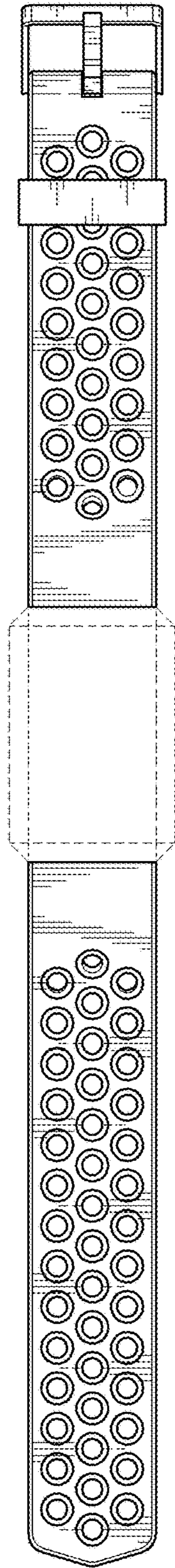


FIG. 2

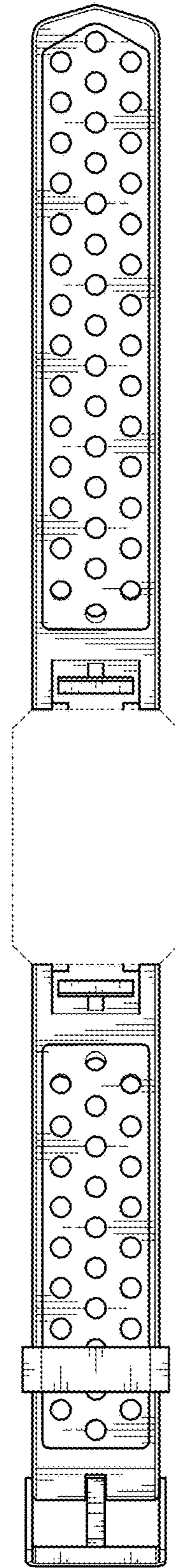


FIG. 3

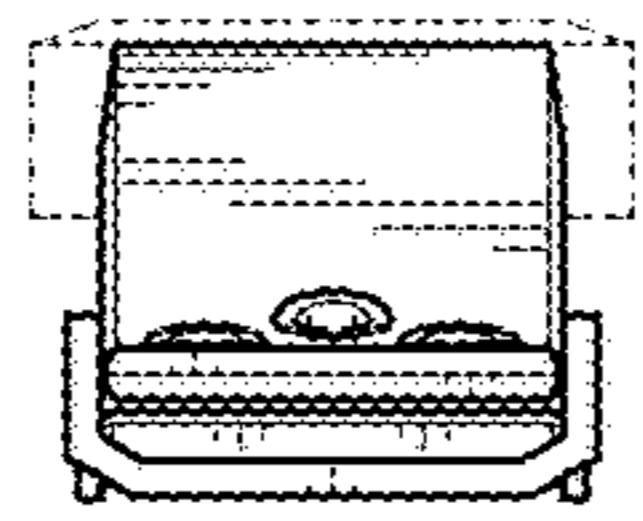


FIG. 4

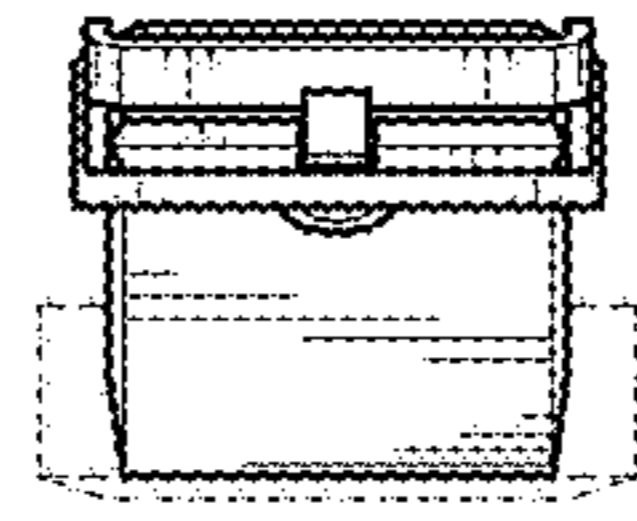


FIG. 5

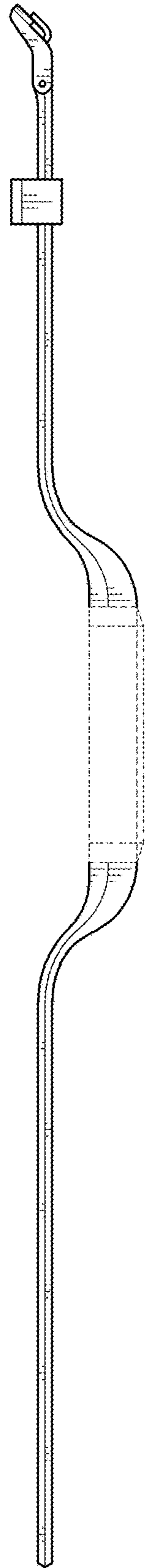


FIG. 6

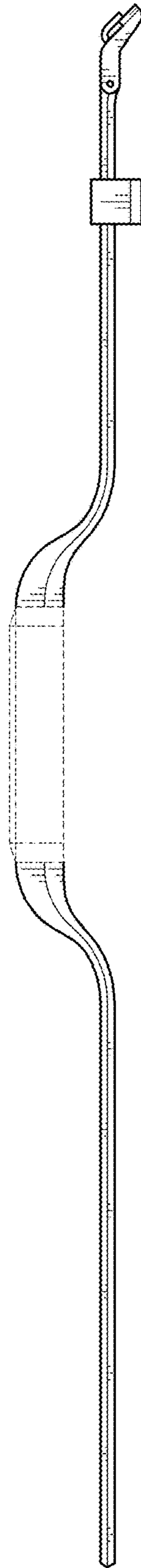


FIG. 7

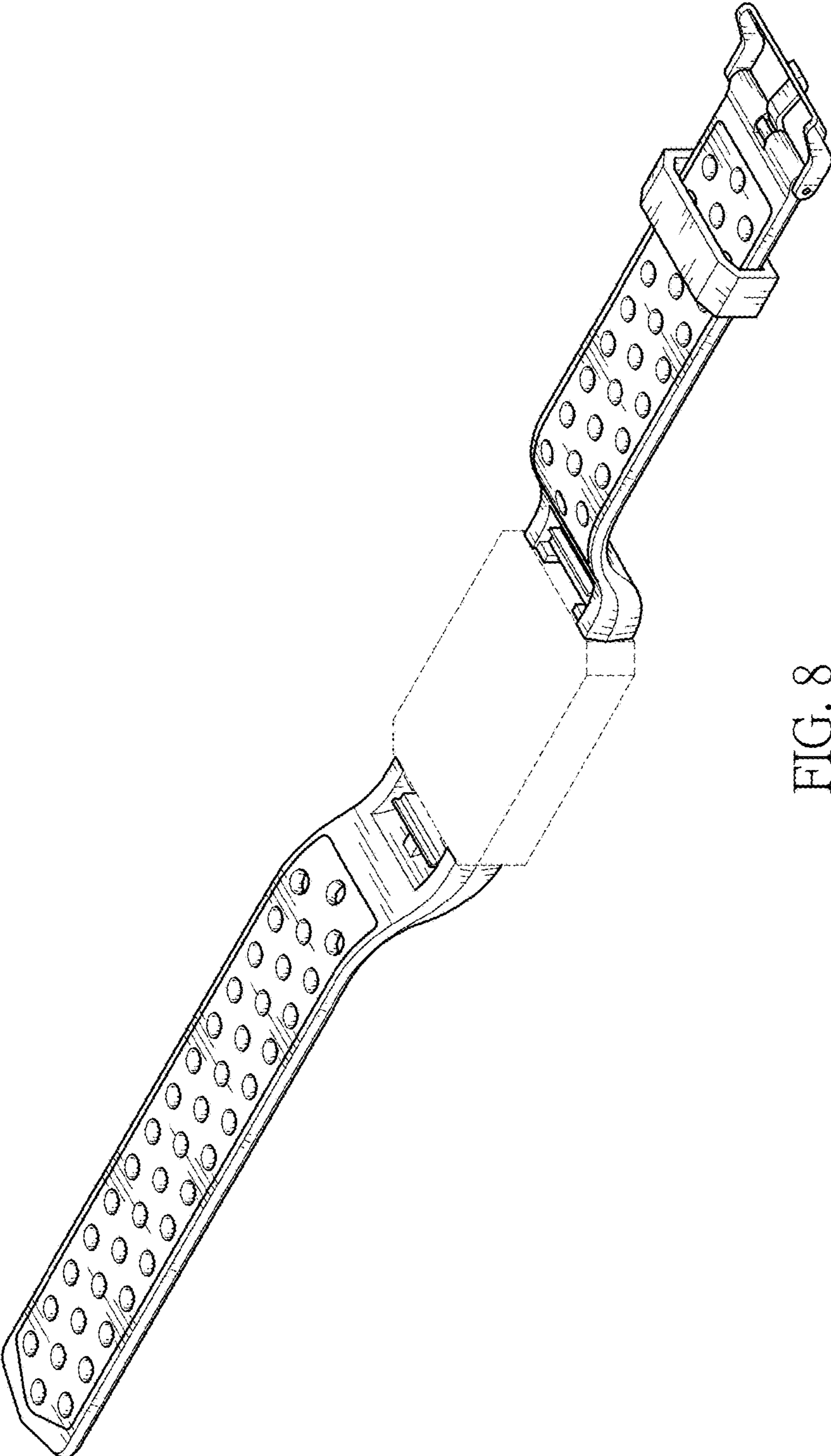


FIG. 8