

US00D840859S

(12) **United States Design Patent** (10) **Patent No.:** **US D840,859 S**  
**Sethi** (45) **Date of Patent:** **\*\* Feb. 19, 2019**

(54) **ADJUSTABLE WRISTBAND**  
(71) Applicant: **Maneesh Sethi**, Boston, MA (US)  
(72) Inventor: **Maneesh Sethi**, Boston, MA (US)  
(\*\*) Term: **15 Years**  
(21) Appl. No.: **29/575,760**  
(22) Filed: **Aug. 29, 2016**  
(51) **LOC (11) Cl.** ..... **11-01**  
(52) **U.S. Cl.**  
USPC ..... **D11/3**  
(58) **Field of Classification Search**  
USPC ..... D11/1–13, 86, 93, 94; D10/30–32, 38,  
D10/40, 68, 70, 98; D14/344; 40/633;  
D3/201, 214, 215  
CPC ..... A44C 5/00; A44C 5/0053; A44C 5/0061;  
A44C 5/0069; A44C 5/0076; A44C 5/02;  
A44C 5/022; A44C 5/025; A44C 5/027;  
A44C 5/08; A44C 5/10; A44C 5/102;  
A44C 5/105; A44C 5/107; A44C 13/00;  
A44C 11/00; A44C 11/002; A44C 11/005;  
A44C 11/007; G06F 1/163  
See application file for complete search history.

(56) **References Cited**  
U.S. PATENT DOCUMENTS  
8,296,983 B2 \* 10/2012 Padgett ..... A44C 5/0015  
40/633  
D710,235 S \* 8/2014 Rummonds ..... D11/2  
D720,249 S \* 12/2014 Park ..... D11/3  
9,336,477 B2 \* 5/2016 Nitta ..... G06K 19/07762  
9,347,749 B2 \* 5/2016 Olah ..... A44C 5/003  
9,429,991 B1 \* 8/2016 Ruffing ..... G06F 1/163  
D789,929 S \* 6/2017 Tan ..... D14/344  
D790,374 S \* 6/2017 Lean ..... D14/344  
D795,719 S \* 8/2017 Lean ..... D14/344  
D804,335 S \* 12/2017 Bihan ..... D14/344  
2015/0051470 A1 \* 2/2015 Bailey ..... G06F 1/163  
600/384

2015/0181351 A1 \* 6/2015 Sarow ..... A44C 5/0015  
381/334  
2015/0206044 A1 \* 7/2015 Nitta ..... G06K 19/07762  
235/492  
2015/0233681 A1 \* 8/2015 Olah ..... A44C 5/003  
222/1  
2015/0286277 A1 \* 10/2015 Kim ..... G06F 1/163  
345/156

(Continued)

**OTHER PUBLICATIONS**

Pavlok.com, company website, publication date Aug. 2, 2014, online. Site visited on Jan. 23, 2018. Internet URL: “https://web.archive.org/web/20140802095310/http://pavlok.com/” (Year: 2014).\*

(Continued)

*Primary Examiner* — Cynthia Ramirez  
*Assistant Examiner* — L. Martinez  
(74) *Attorney, Agent, or Firm* — Nadya Reingand; Yan Hankin

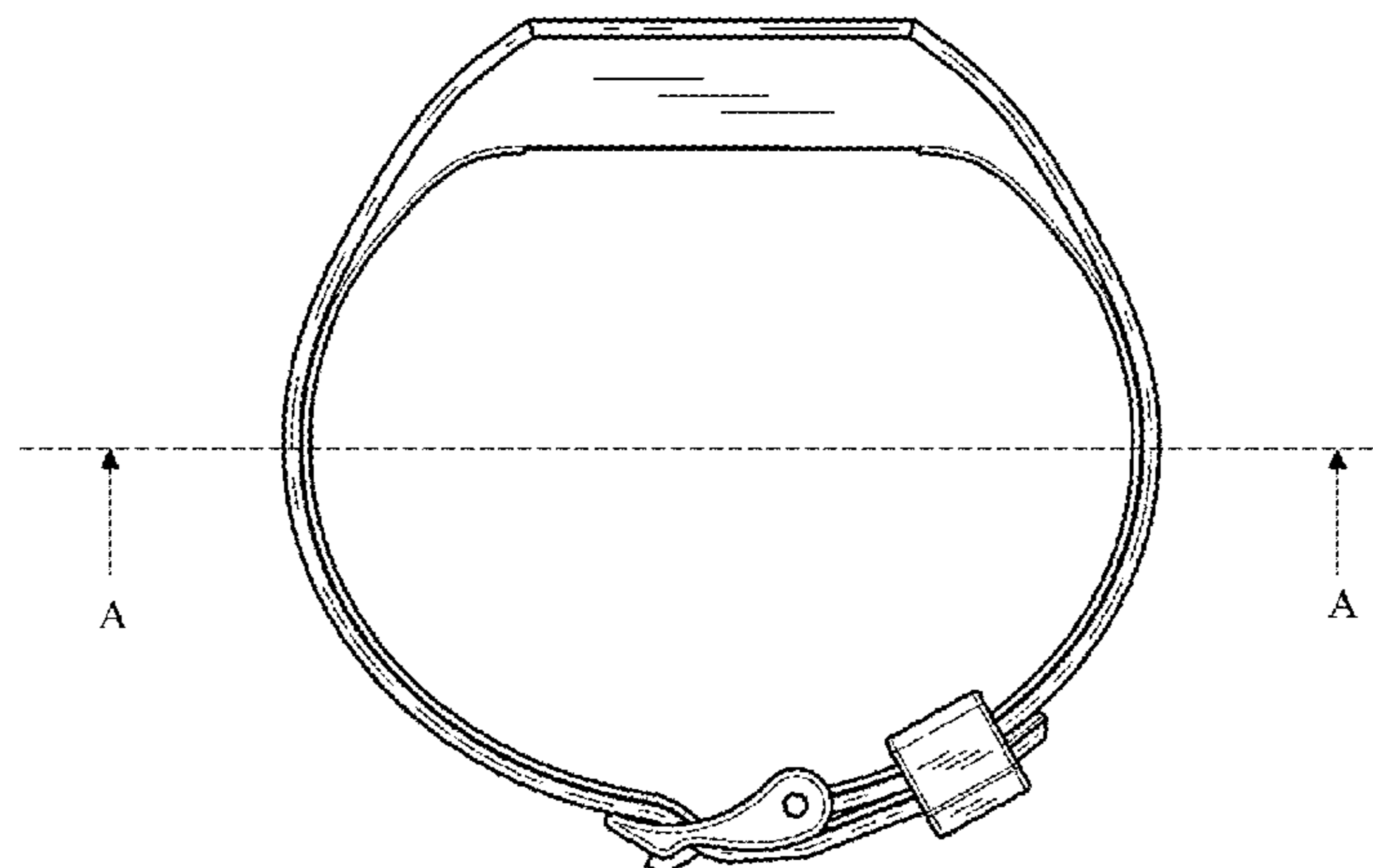
(57) **CLAIM**

The ornamental design for an adjustable wristband, as shown and described.

**DESCRIPTION**

FIG. 1 is a side elevation view of an adjustable wristband showing my new design in a closed position;  
FIG. 2 is a bottom view thereof;  
FIG. 3 is another side elevation view thereof;  
FIG. 4 is a top view thereof;  
FIG. 5 is a front view thereof;  
FIG. 6 is a rear view thereof;  
FIG. 7 is a top front perspective view thereof;  
FIG. 8 is a bottom rear perspective view thereof;  
FIG. 9 is a bottom front perspective view thereof; and,  
FIG. 10 is a cross-sectional view thereof, taken along line A-A shown in FIG. 1.

**1 Claim, 5 Drawing Sheets**



(56)

**References Cited**

U.S. PATENT DOCUMENTS

2015/0379880 A1\* 12/2015 Sethi ..... G09B 5/06  
434/236  
2016/0063890 A1\* 3/2016 Sethi ..... G09B 5/06  
434/236  
2016/0098086 A1\* 4/2016 Li ..... G06F 1/163  
345/173  
2016/0209876 A1\* 7/2016 Park ..... G06F 1/163  
2016/0231974 A1\* 8/2016 Lee ..... G06F 1/163  
2016/0370825 A1\* 12/2016 Ruffing ..... G06F 1/163

OTHER PUBLICATIONS

This Cruel Pavlok Bracelet Shock You to Exercise, published Jul. 25, 2014, online. Site visited Jan. 23, 2018. Internet URL: “<https://www.fastcodesign.com/3033580/this-cruel-pavlok-bracelet-shocks-you-to-exercise>”> (Year: 2014).\*

\* cited by examiner

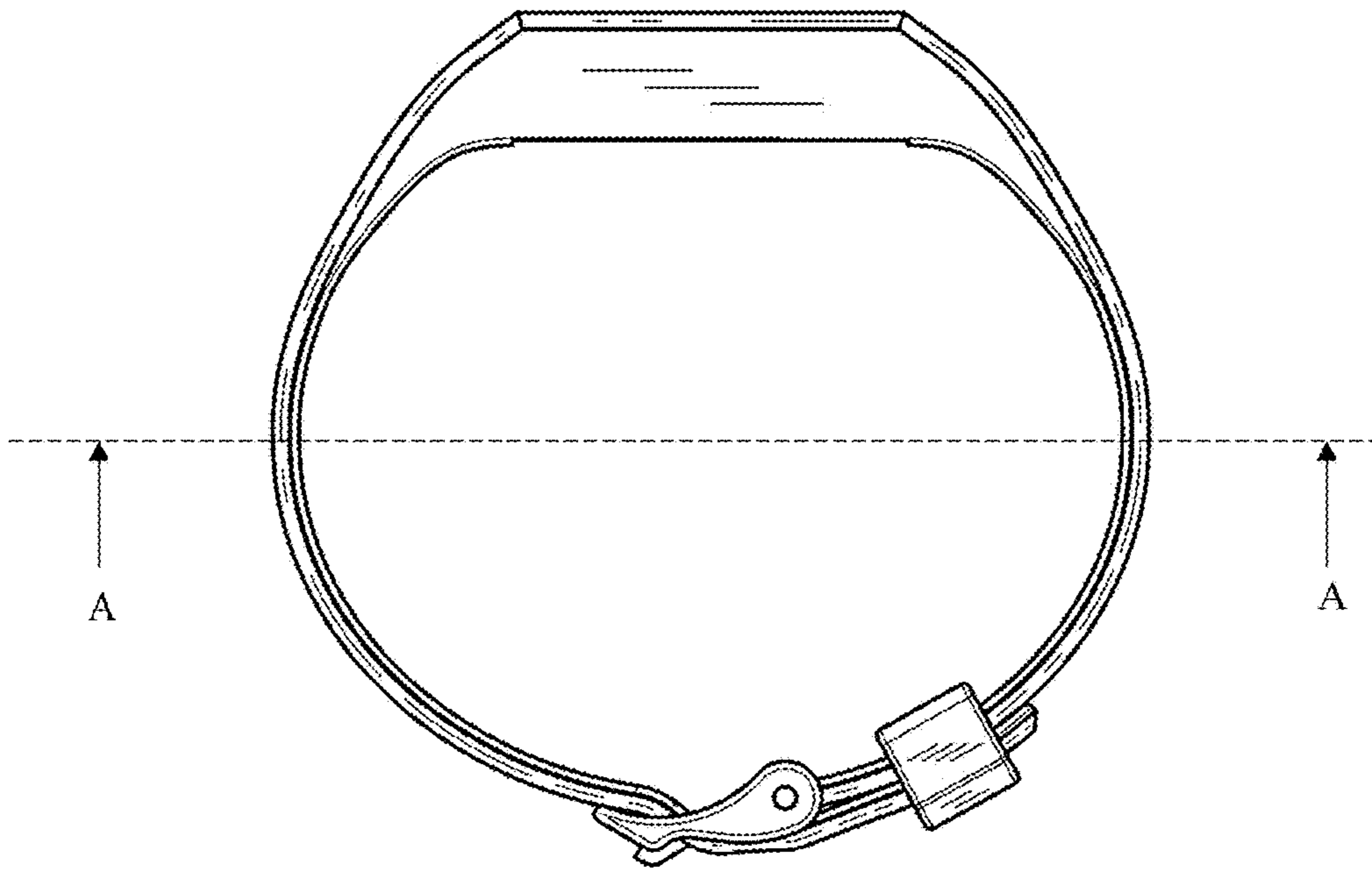


Fig.1

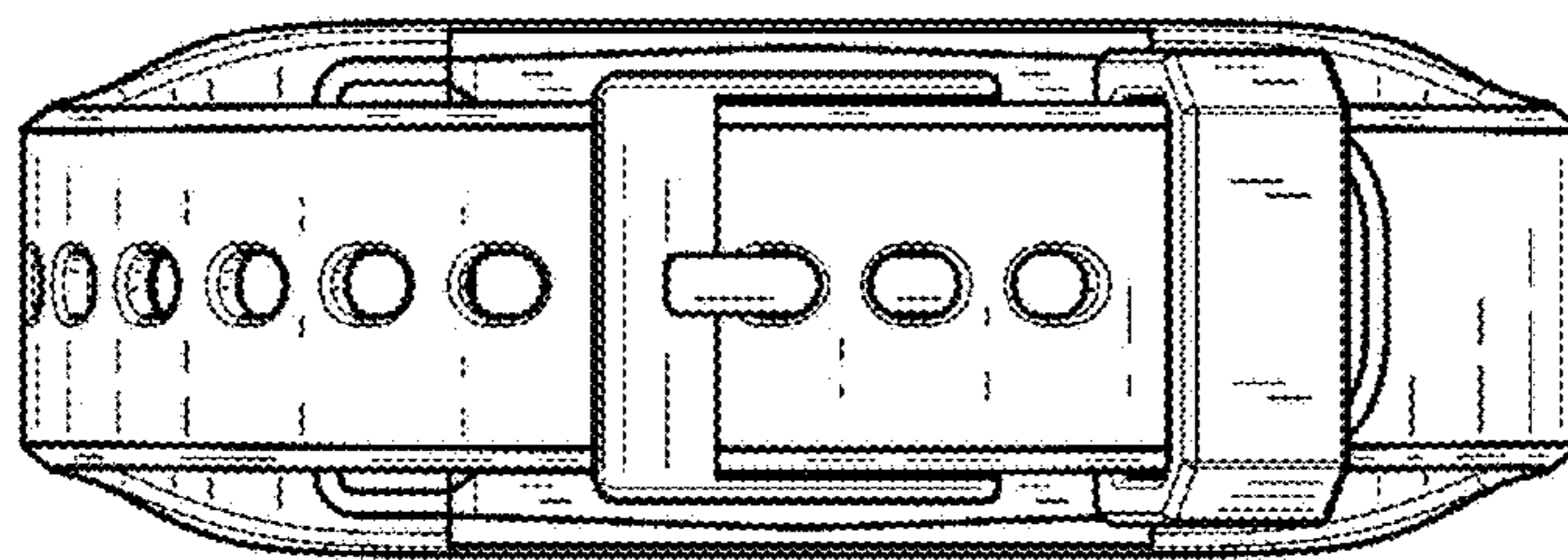


Fig.2

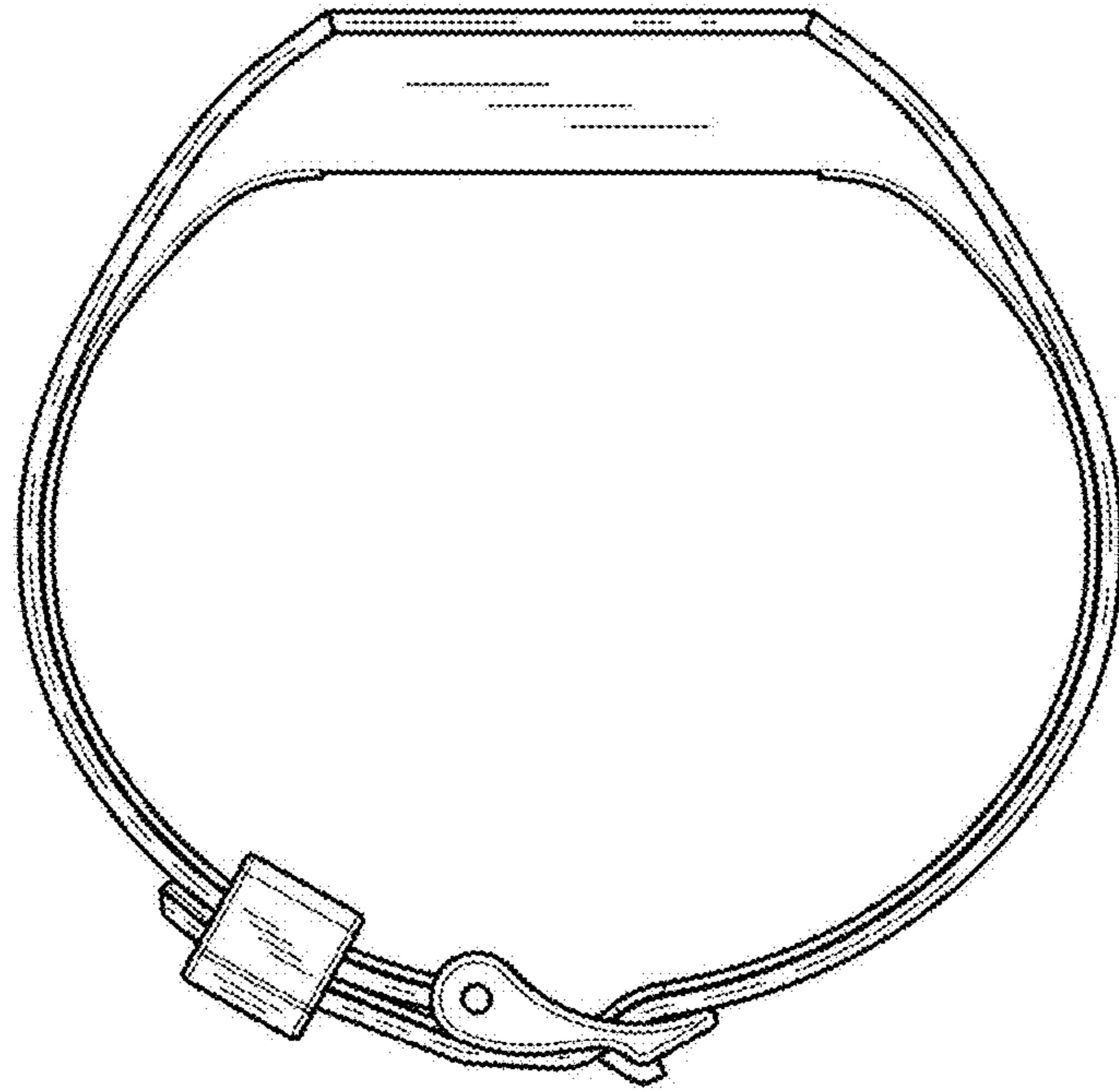


Fig.3

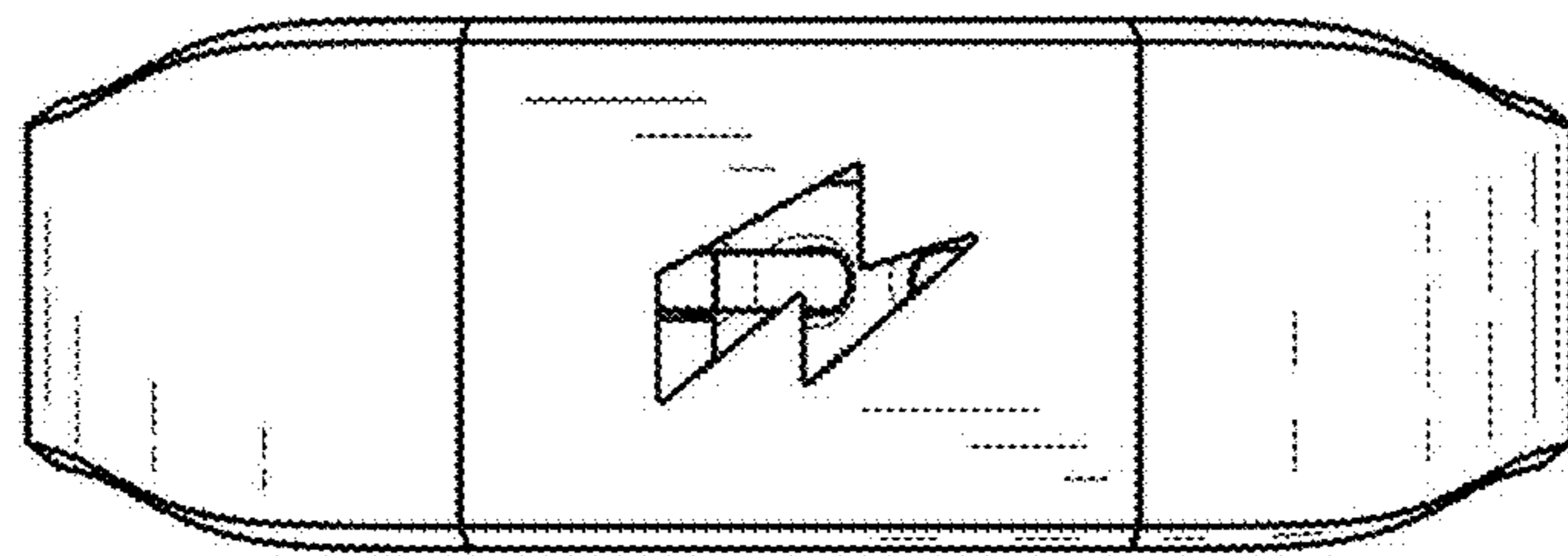


Fig.4

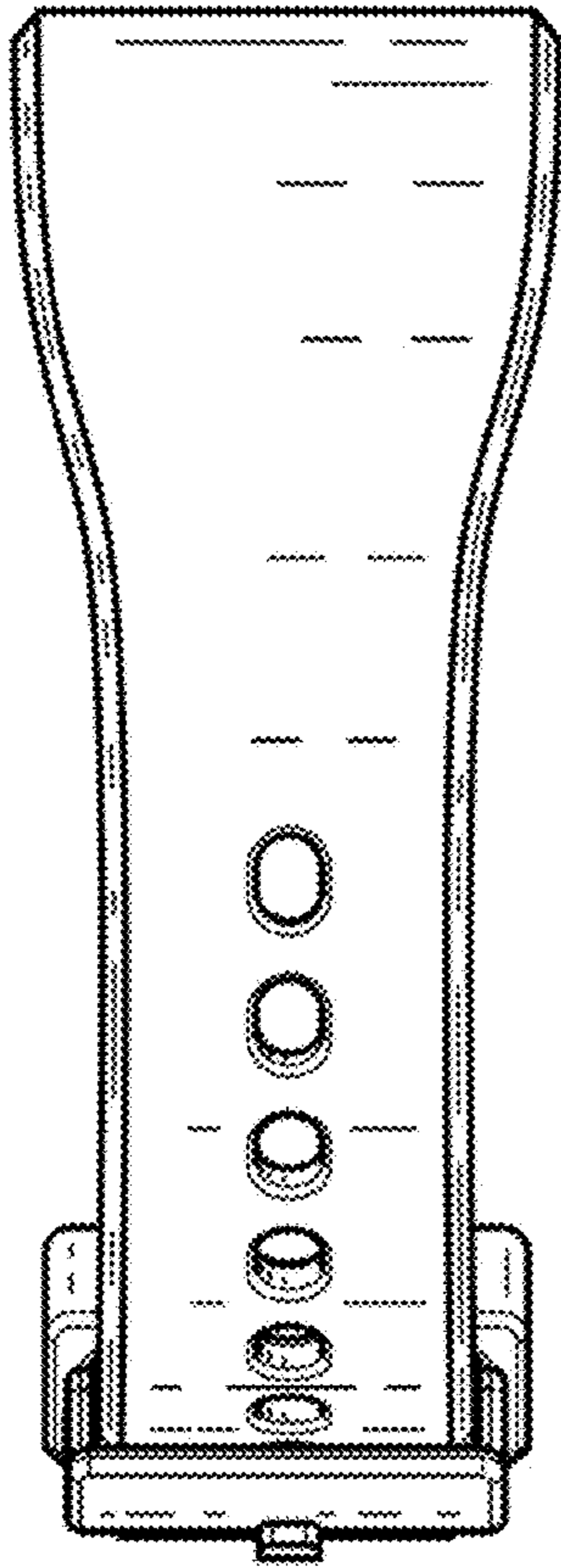


Fig. 5

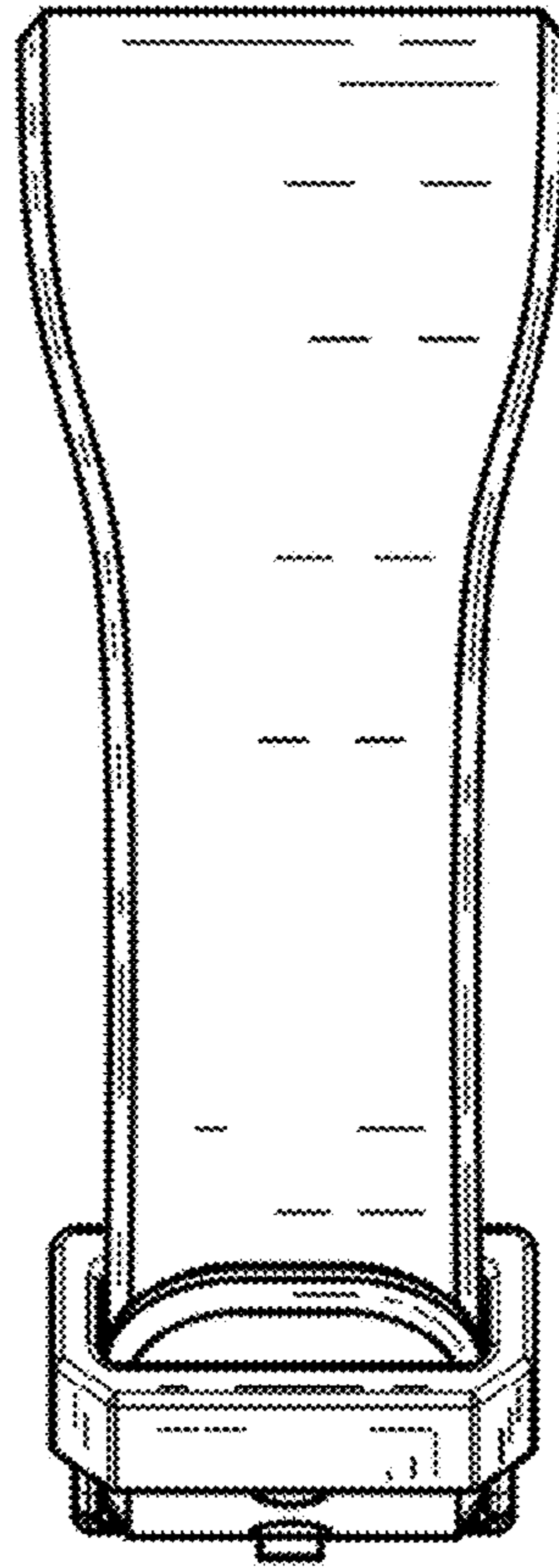


Fig. 6

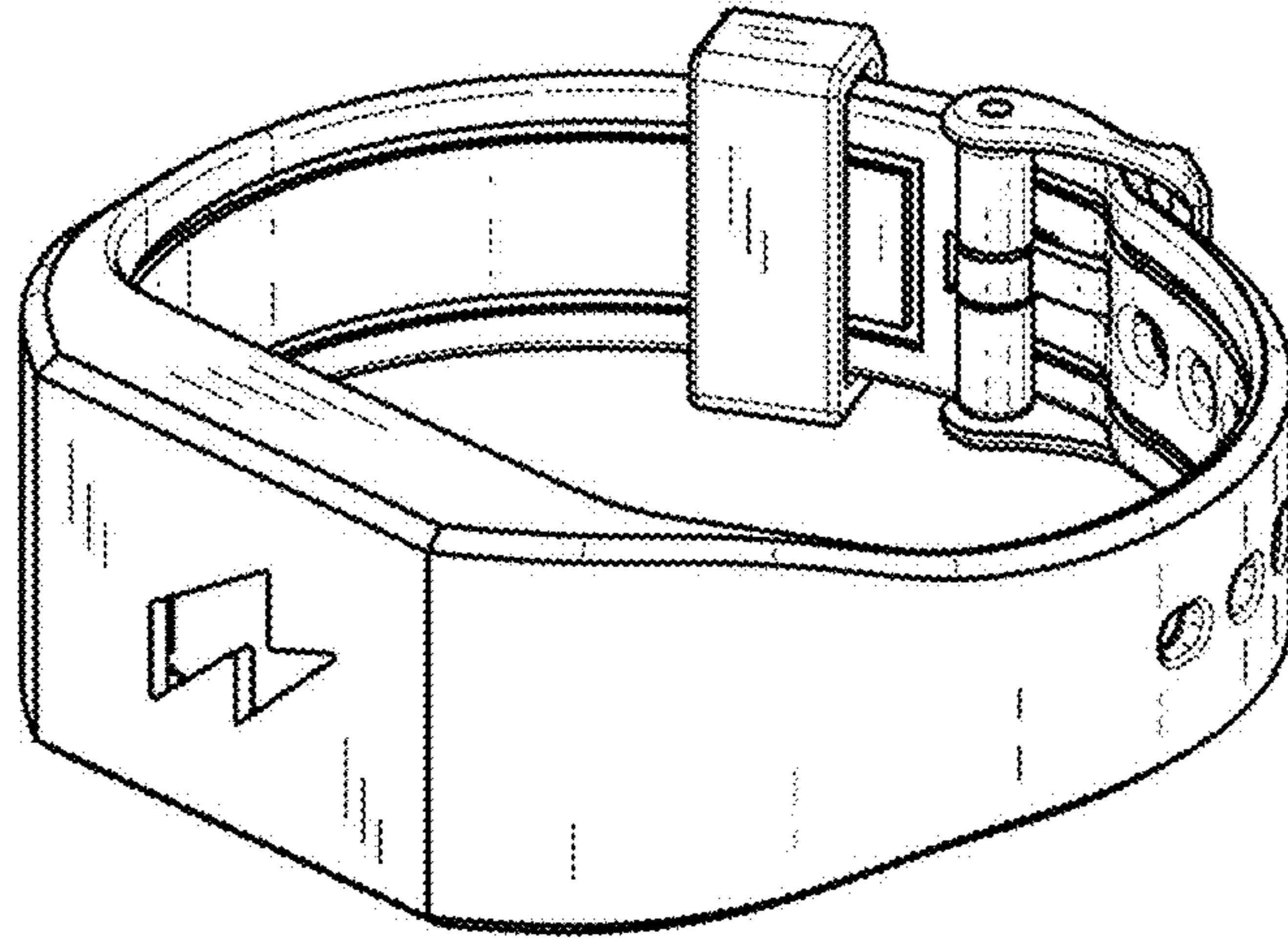


Fig.7

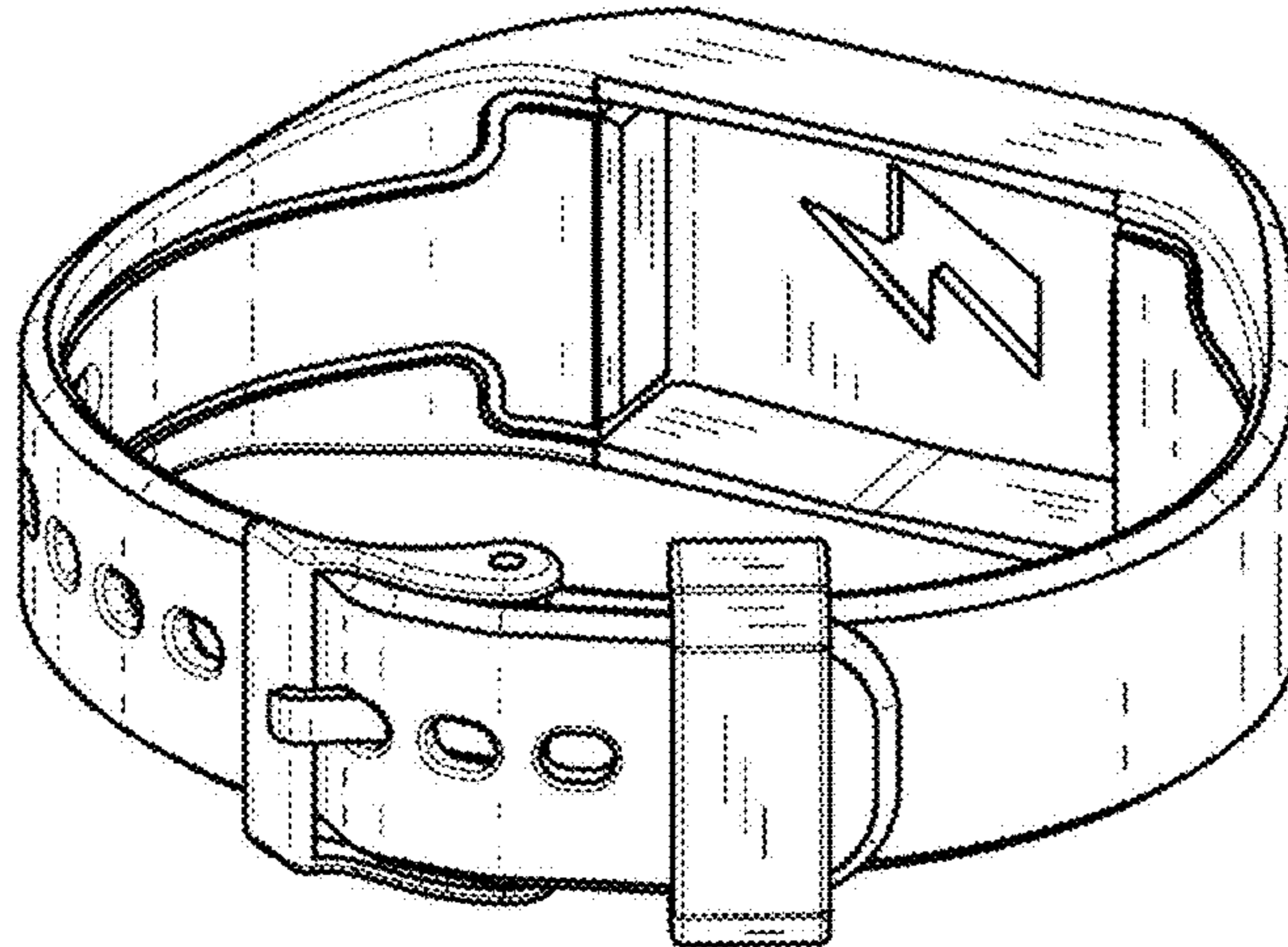


Fig.8

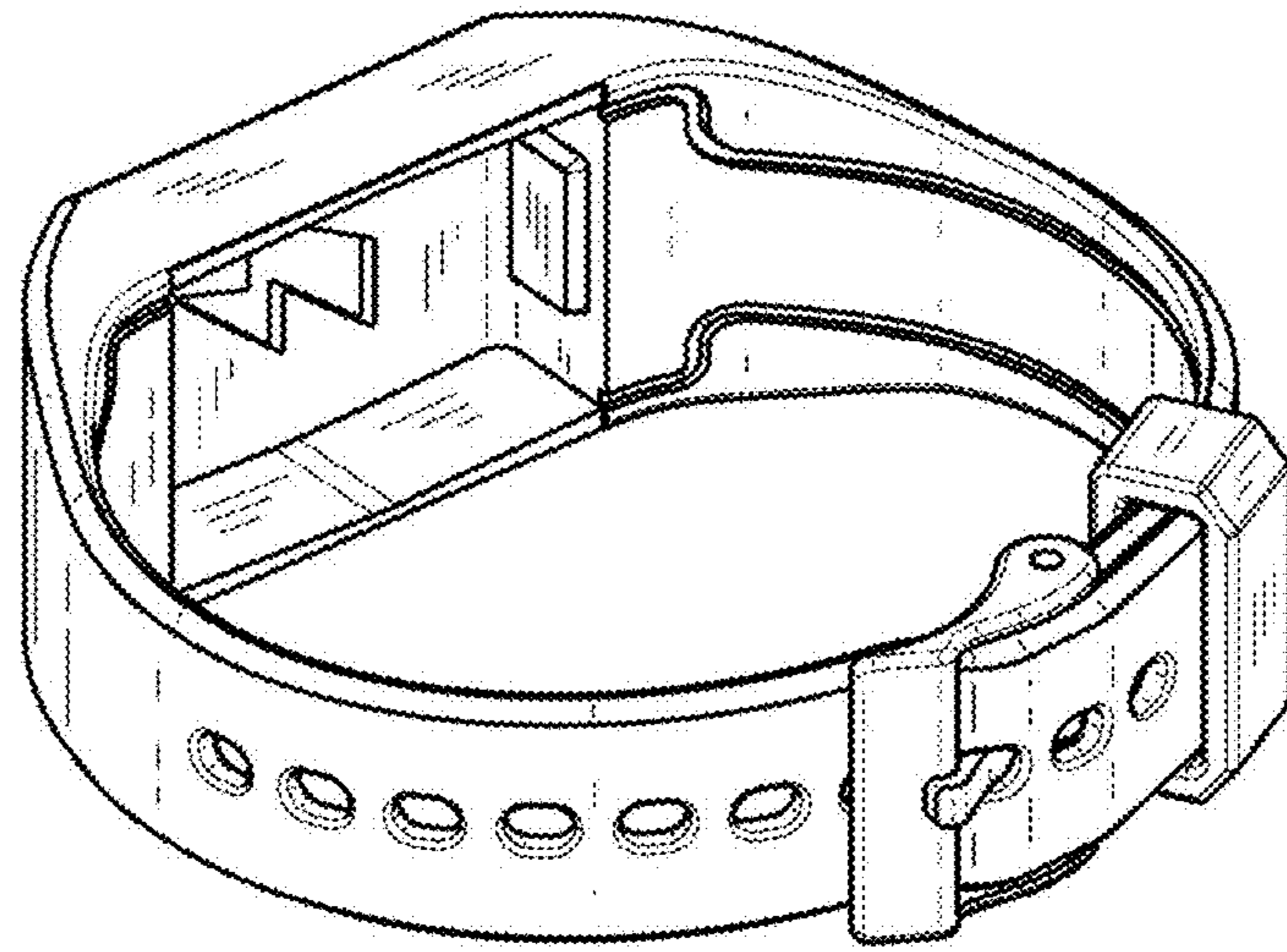


Fig.9

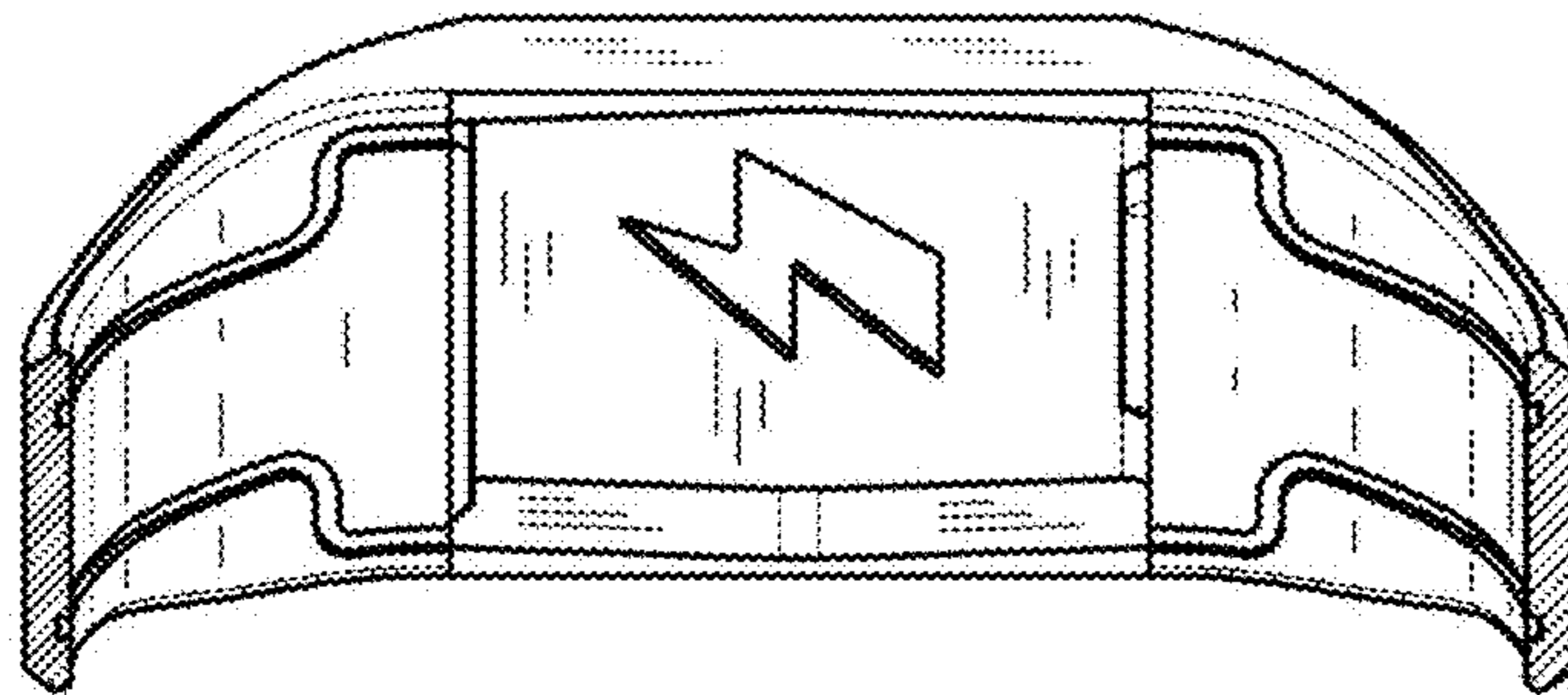


Fig.10