

US00D840858S

(12) **United States Design Patent** (10) **Patent No.:** **US D840,858 S**
Siminoff et al. (45) **Date of Patent:** **** *Feb. 19, 2019**

- (54) **AUDIO/VIDEO DOORBELL**
- (71) Applicant: **Ring LLC**, Santa Monica, CA (US)
- (72) Inventors: **James Siminoff**, Pacific Palisades, CA (US); **John Modestine**, Los Angeles, CA (US); **Christopher Loew**, Palo Alto, CA (US)
- (73) Assignee: **Amazon Technologies, Inc.**, Seattle, WA (US)
- (*) Notice: This patent is subject to a terminal disclaimer.
- (**) Term: **15 Years**
- (21) Appl. No.: **29/621,250**
- (22) Filed: **Oct. 5, 2017**

D592,641 S *	5/2009	Ryu	D14/214
D616,321 S *	5/2010	Skaf	D10/104.1
D621,795 S *	8/2010	Tsui	D13/171
D630,193 S *	1/2011	Bennett	D14/167
D733,673 S *	7/2015	Zhu	D14/137
D746,711 S *	1/2016	Li	D10/106.1
D788,061 S *	5/2017	Siminoff	D10/118.2
D798,177 S *	9/2017	Siminoff	D10/118.2
D802,463 S *	11/2017	Siminoff	D10/118.2

* cited by examiner

Primary Examiner — George D. Kirschbaum

Assistant Examiner — Joseph J Kukella

(74) *Attorney, Agent, or Firm* — Chong IP Law, LLP

(57) **CLAIM**

The ornamental design for an audio/video doorbell, as shown and described.

DESCRIPTION

FIG. 1 is a front perspective view of the audio/visual doorbell according to the present design;
 FIG. 2 is a front elevation view of the audio/visual doorbell of FIG. 1;
 FIG. 3 is a rear elevation view of the audio/visual doorbell of FIG. 1;
 FIG. 4 is a right-side elevation view of the audio/visual doorbell of FIG. 1;
 FIG. 5 is a left-side elevation view of the audio/visual doorbell of FIG. 1;
 FIG. 6 is a top plan view of the audio/visual doorbell of FIG. 1;
 FIG. 7 is a bottom plan view of the audio/visual doorbell of FIG. 1; and,
 FIG. 8 is a front perspective view of the audio/visual doorbell of FIG. 1 engaged with a junction box, which is shown only to illustrate an example environment for the audio/video doorbell.
 In the drawings, the broken lines depict portions of the audio/video doorbell that form no part of the claimed design.

1 Claim, 7 Drawing Sheets

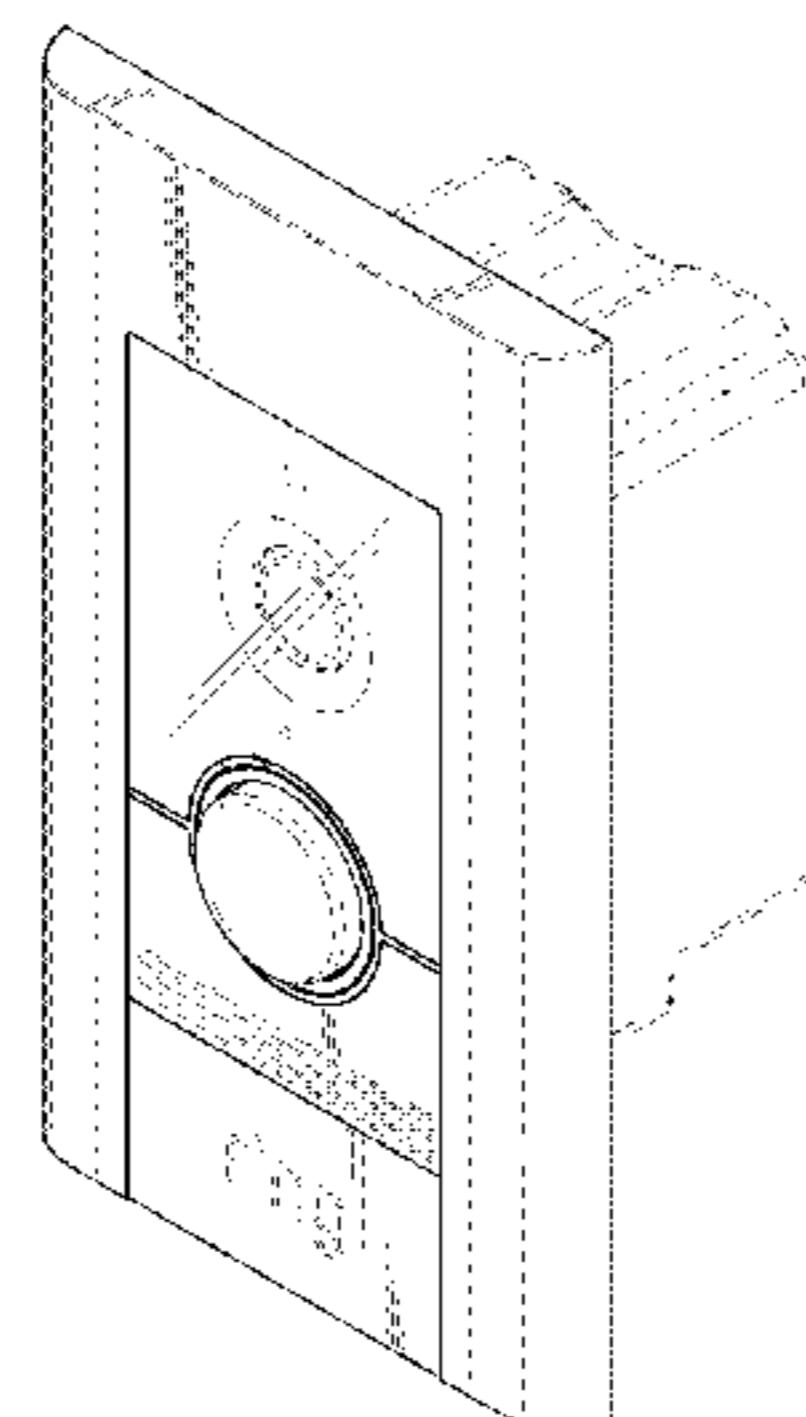
Related U.S. Application Data

- (63) Continuation of application No. 29/587,654, filed on Dec. 14, 2016, now Pat. No. Des. 802,463.
- (51) **LOC (11) Cl.** **10-05**
- (52) **U.S. Cl.**
USPC **D10/118.2**
- (58) **Field of Classification Search**
USPC D10/104.1, 108, 116.1, 118, 118.2, 121, D10/122, 123, 124, 125, 126; D16/202, D16/203, 208, 209, 215
CPC ... G08B 7/00; G08B 7/06; G08B 3/00; G08B 3/10
See application file for complete search history.

References Cited

U.S. PATENT DOCUMENTS

D197,278 S *	1/1964	Stevenson	D13/171
D531,160 S *	10/2006	Yukikado	D14/159
D557,240 S *	12/2007	Lee	D14/138 AB
D562,306 S *	2/2008	Jeong	D14/159



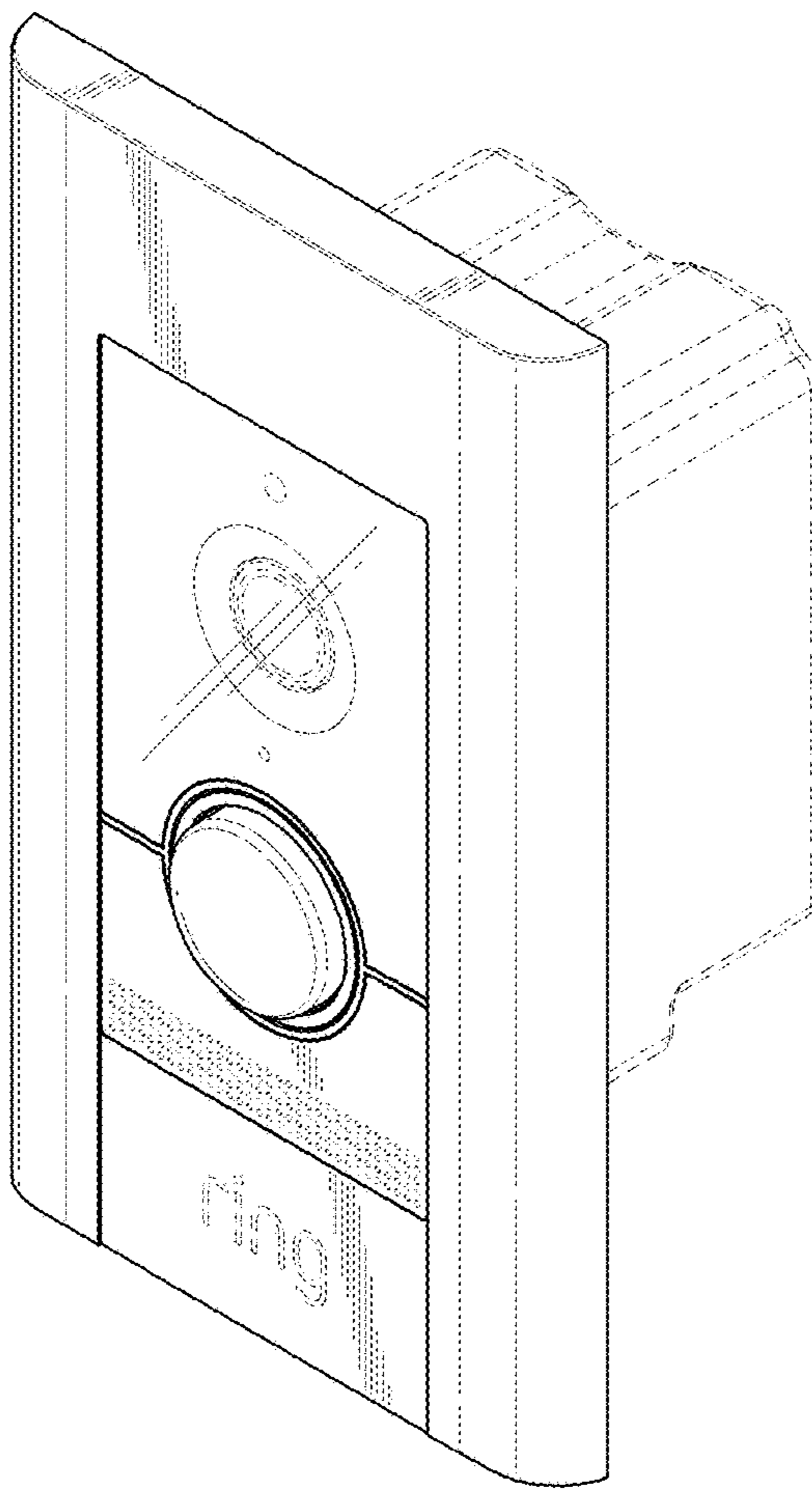


FIG. 1

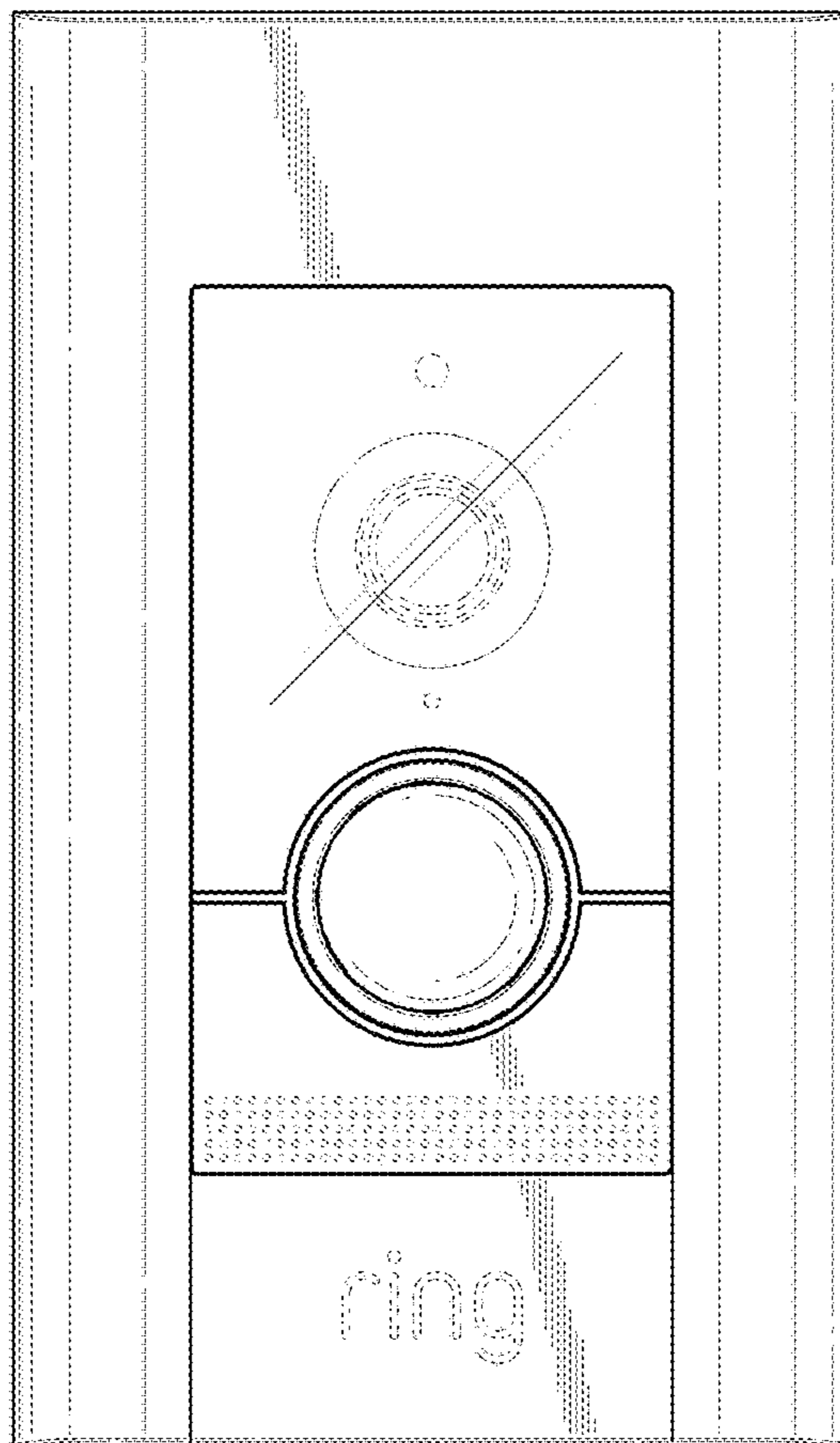


FIG. 2

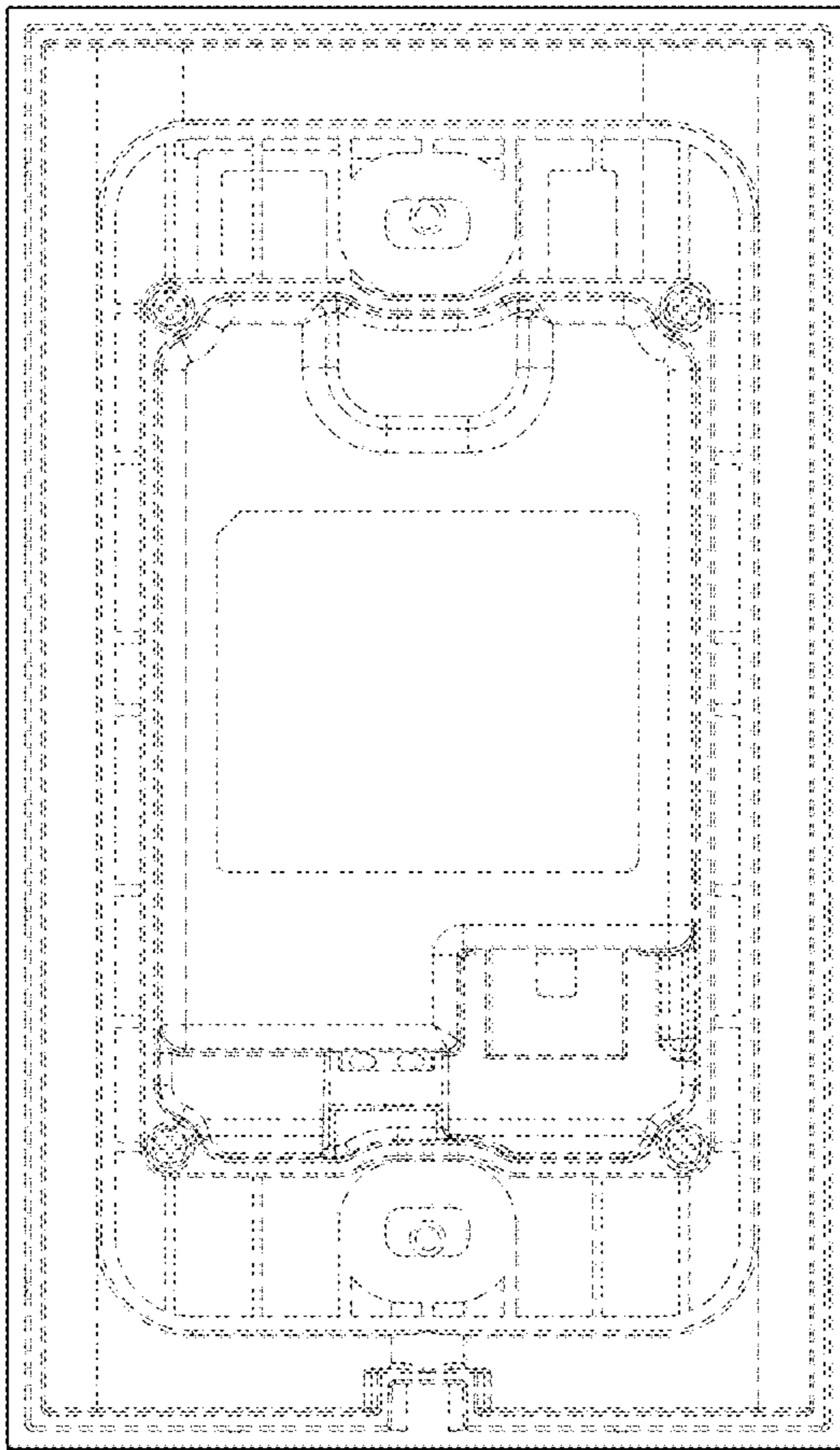


FIG. 3

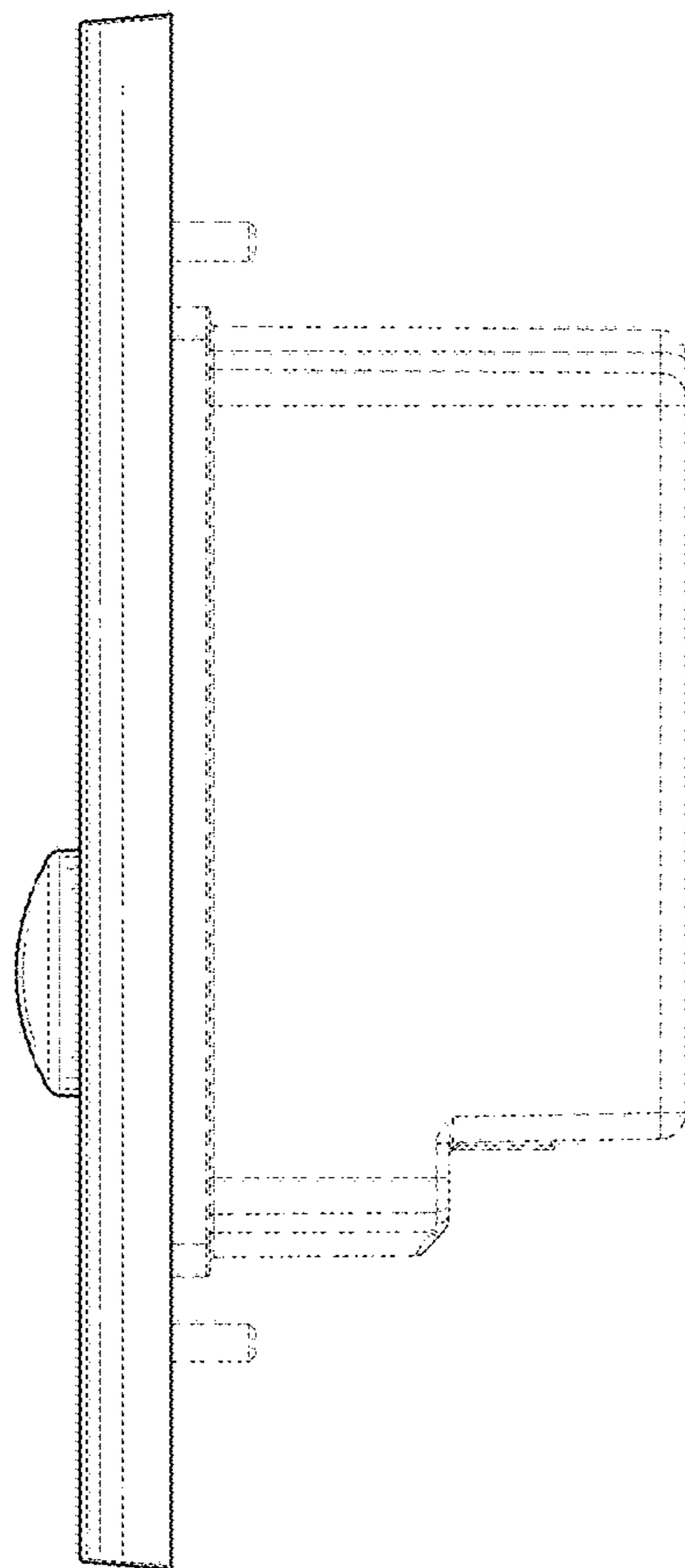


FIG. 4

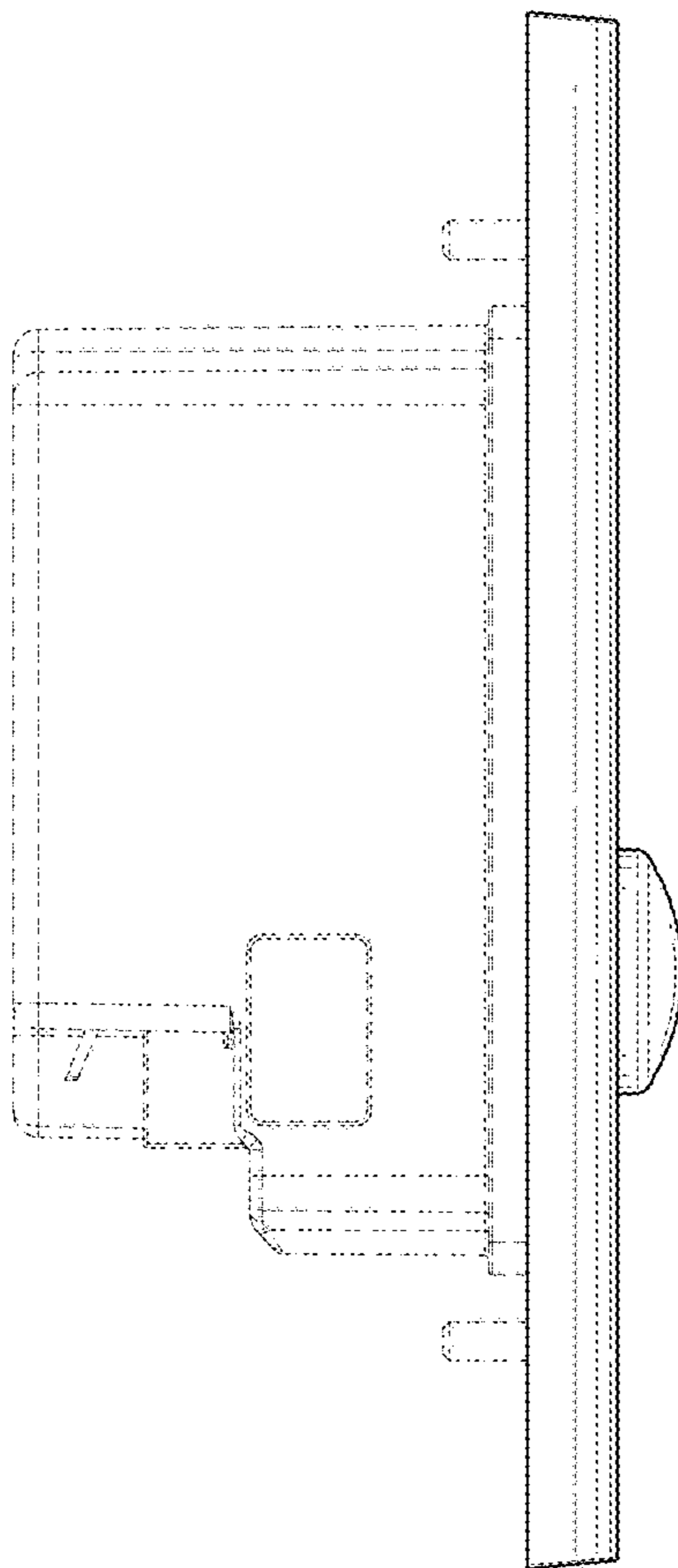


FIG. 5

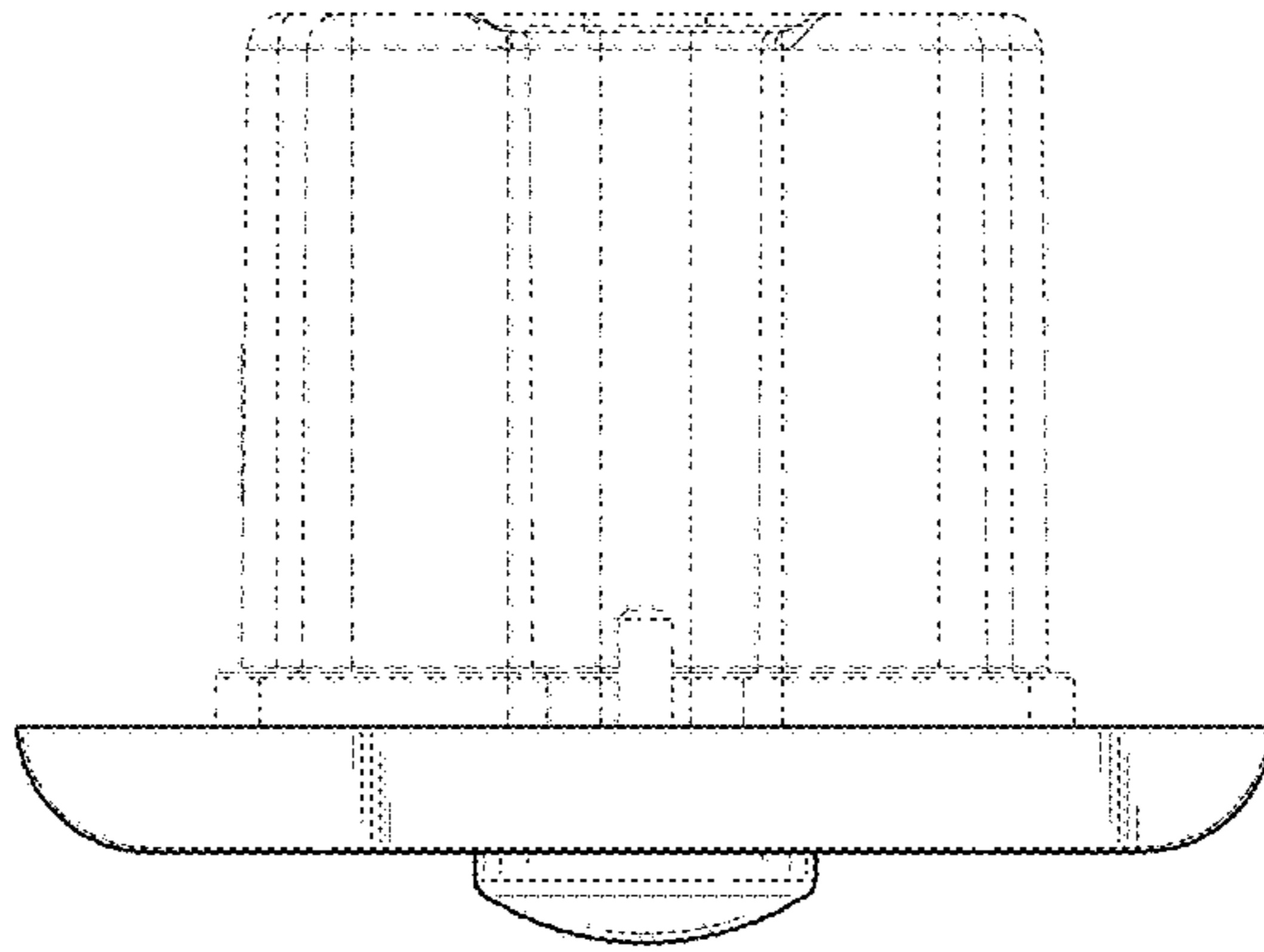


FIG. 6

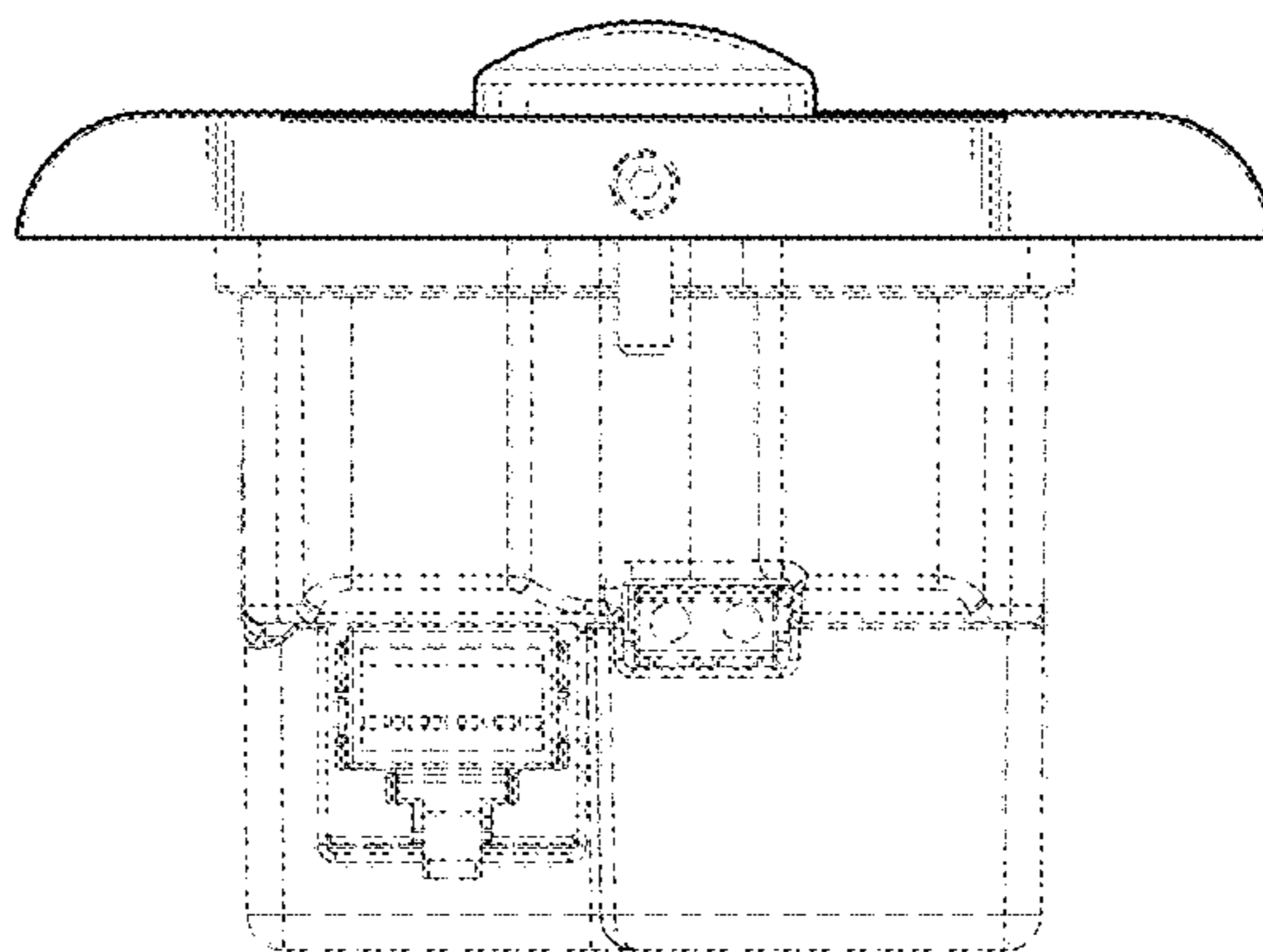


FIG. 7

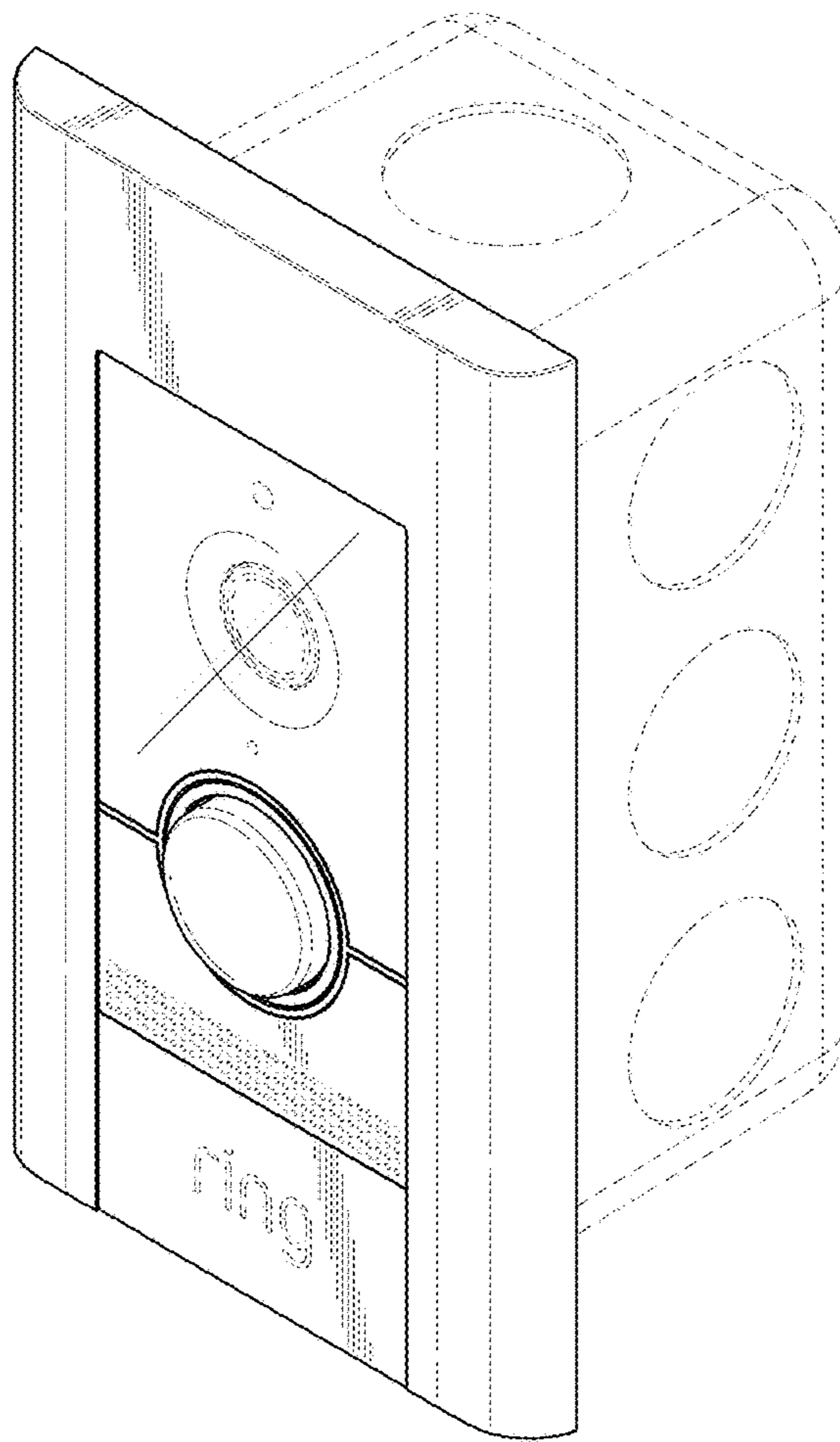


FIG. 8