



US00D840857S

(12) **United States Design Patent**  
**Scalisi**

(10) **Patent No.:** **US D840,857 S**

(45) **Date of Patent:** **\*\* Feb. 19, 2019**

(54) **DOORBELL**

(71) Applicant: **SkyBell Technologies, Inc.**, Irvine, CA  
(US)

(72) Inventor: **Joseph Frank Scalisi**, Yorba Linda, CA  
(US)

(73) Assignee: **SkyBell Technologies, Inc.**, Irvine, CA  
(US)

(\*\*) Term: **15 Years**

(21) Appl. No.: **29/618,908**

(22) Filed: **Sep. 25, 2017**

(51) **LOC (11) Cl.** ..... **10-05**

(52) **U.S. Cl.**  
USPC ..... **D10/118.2**

(58) **Field of Classification Search**  
USPC ..... D10/46, 104.1, 106, 116.1, 118, 118.1,  
D10/118.2, 121, 124, 126; D14/159, 358;  
D25/147, 103; D16/202, 203, 208, 209,  
D16/215; D13/158, 169, 171, 174;  
D26/72, 85, 88; D8/350, 343, 305, 353;  
340/392.1, 384.7, 326, 539.14; 200/310;  
455/41.2

CPC ..... H04M 11/02; H04M 11/025; G08B 3/00;  
G08B 3/10; G08B 7/00; G08B 7/06  
See application file for complete search history.

(56) **References Cited**

**U.S. PATENT DOCUMENTS**

- 1,230,643 A \* 6/1917 Anderson ..... H02G 3/14  
220/241
- D179,803 S 3/1957 Gillette
- D225,379 S 12/1972 Gallagher
- 4,172,967 A \* 10/1979 Porter ..... H04M 11/025  
379/102.06
- D283,130 S 3/1986 Boenning
- D297,222 S 8/1988 Rauch
- D305,019 S \* 12/1989 Pena ..... D13/171

- D318,632 S \* 7/1991 Polacek ..... D10/108
  - 5,127,244 A 7/1992 Myers
  - 5,148,468 A \* 9/1992 Marrick ..... H04M 1/0291  
379/167.01
  - D335,283 S \* 5/1993 Justiniano ..... D13/171
  - D344,036 S 2/1994 Yuen
- (Continued)

**FOREIGN PATENT DOCUMENTS**

CA 1734431 \* 2/2018

**OTHER PUBLICATIONS**

Available Apr. 1, 2018, [online], [site visited May 30, 2018].  
Available from Internet, <URL:http://feelthenature.info/modern-  
push-button-light-switch/> (Year: 2018).\*

(Continued)

*Primary Examiner* — Cathron C Brooks  
*Assistant Examiner* — Katrina N Gonzalez

(57) **CLAIM**

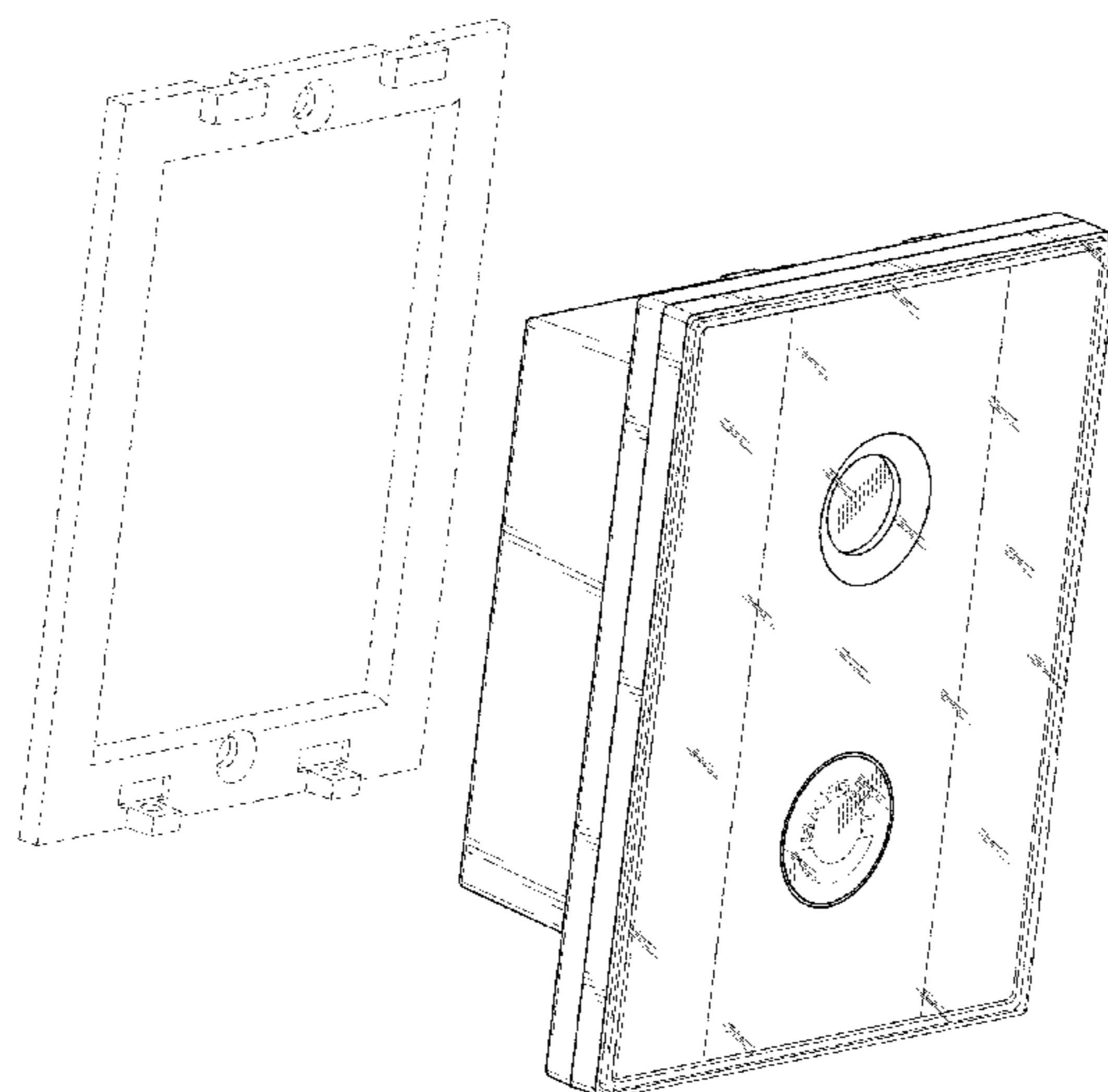
The ornamental design for a doorbell, as shown and described.

**DESCRIPTION**

FIG. 1 is an exploded front, side, and bottom perspective view of a doorbell showing the new design;  
FIG. 2 is an exploded back, side, and bottom perspective view thereof;  
FIG. 3 is a front view thereof;  
FIG. 4 is a back view thereof;  
FIG. 5 is a first side view thereof;  
FIG. 6 is a second side view thereof;  
FIG. 7 is a top view thereof; and,  
FIG. 8 is a bottom view thereof.

The uniform repeating broken lines depict portions of a doorbell in which the claimed design is embodied and form no part of the claimed design.

**1 Claim, 6 Drawing Sheets**



(56)

References Cited

U.S. PATENT DOCUMENTS

5,345,794 A	9/1994	Jenks		D694,306 S	11/2013	Katori
D371,086 S	6/1996	Collins		D701,521 S	3/2014	Kim
D381,638 S	7/1997	Kruse		D705,246 S	5/2014	Ranz
5,671,624 A	9/1997	Sivils		D705,794 S	5/2014	Ranz
D392,576 S	3/1998	Pun		D707,697 S	6/2014	Ranz
D392,907 S *	3/1998	Buckley, III	D10/108	D709,754 S	7/2014	Lylyk
D392,987 S	3/1998	Sakata		8,780,201 B1	7/2014	Scalisi et al.
D395,814 S	7/1998	Yang		D710,377 S	8/2014	Rydenhag
D404,673 S	1/1999	Gordon		D710,676 S	8/2014	Kiechel
D418,770 S	1/2000	Ragan		D710,727 S	8/2014	Siminoff
6,016,677 A	1/2000	Clark		D710,728 S	8/2014	Siminoff
D422,521 S	4/2000	Morrow		D711,275 S	8/2014	Scalisi
D422,893 S	4/2000	Heredos-Formby		D711,903 S	8/2014	Mishra
D435,576 S	12/2000	McBride		8,823,795 B1	9/2014	Scalisi et al.
D435,577 S	12/2000	McBride		8,834,044 B2	9/2014	Uehara
D442,617 S	5/2001	Ohmori		8,842,180 B1	9/2014	Kasmir et al.
D455,767 S	4/2002	Tsang		8,872,915 B1	10/2014	Scalisi et al.
D455,768 S	4/2002	Tsang		D719,205 S	12/2014	Matsumoto
D465,532 S	11/2002	Hussaini		D719,994 S	12/2014	Wang
D479,720 S	9/2003	Ohashi		D720,363 S	12/2014	Ranz
D480,741 S	10/2003	Berger		D720,764 S	1/2015	Lee
D487,939 S	3/2004	Smith		D721,755 S	1/2015	Åhman
D489,323 S	5/2004	Yoshida		8,937,659 B1	1/2015	Scalisi et al.
D494,287 S	8/2004	Matsui		8,941,736 B1	1/2015	Scalisi
6,812,970 B1	11/2004	McBride		D722,318 S	2/2015	Moore
D500,751 S	1/2005	Yukikado		D722,319 S	2/2015	Moore
D509,842 S	9/2005	Ou		D722,611 S	2/2015	Moore
7,015,943 B2	3/2006	Chiang		D722,709 S	2/2015	Bosua
D519,100 S	4/2006	Shioya		8,947,530 B1	2/2015	Scalisi
D522,490 S *	6/2006	Yukikado	D14/159	8,953,040 B1	2/2015	Scalisi et al.
D525,963 S	8/2006	Yukikado		D725,670 S	3/2015	Zhang
7,113,578 B2	9/2006	Unger		D727,769 S	4/2015	Scalisi
D531,160 S	10/2006	Yukikado		D727,989 S	4/2015	Hasuda
D534,566 S	1/2007	Ishii		9,013,575 B2	4/2015	Scalisi
D537,095 S	2/2007	Alden		D728,509 S *	5/2015	Hinkel
D562,306 S	2/2008	Jeong		D728,601 S	5/2015	Angelides
D574,742 S	8/2008	Spencer		D728,655 S	5/2015	Daniel
D575,316 S	8/2008	Liu		D729,678 S	5/2015	Scalisi
D577,301 S	9/2008	Johnson		D729,859 S	5/2015	Shin
D588,069 S *	3/2009	Cummings	D13/158	D732,547 S	6/2015	McClelland
D588,574 S	3/2009	Takahata		9,049,352 B2	6/2015	Scalisi et al.
D592,231 S	5/2009	Schnell		9,055,202 B1	6/2015	Scalisi et al.
D594,311 S	6/2009	Stevens		9,058,738 B1	6/2015	Scalisi
D595,240 S *	6/2009	Busbridge	D13/164	9,060,103 B2	6/2015	Scalisi
D595,260 S	6/2009	Takahata		9,060,104 B2	6/2015	Scalisi
D605,542 S	12/2009	Ho		9,065,987 B2	6/2015	Kasmir et al.
D619,157 S	7/2010	Kim		D733,780 S	7/2015	Chen
D621,795 S *	8/2010	Tsui	D13/171	D734,801 S	7/2015	Yang
D623,605 S *	9/2010	Flowers	D13/168	9,094,584 B2	7/2015	Scalisi et al.
D633,921 S	3/2011	Brinda		D736,294 S	8/2015	Scalisi
D634,181 S	3/2011	Kang		D736,717 S *	8/2015	Duffy
D635,102 S *	3/2011	Tsui	D13/171	D737,283 S	8/2015	Scalisi
D636,286 S	4/2011	Khor		9,113,051 B1	8/2015	Scalisi
D638,853 S	5/2011	Brinda		9,113,052 B1	8/2015	Scalisi et al.
D645,001 S *	9/2011	Margolin	D13/162	9,118,819 B1	8/2015	Scalisi et al.
D645,071 S	9/2011	Hinkel		9,142,214 B2	9/2015	Scalisi
D646,801 S	10/2011	Chou		9,143,343 B2	9/2015	Kim
D647,946 S	11/2011	Raken		D740,873 S	10/2015	Scalisi
D657,410 S	4/2012	Helaoui		D741,866 S	10/2015	Ballout
D658,591 S *	5/2012	Margolin	D13/162	9,160,987 B1	10/2015	Kasmir et al.
D660,819 S	5/2012	Chen		9,165,444 B2	10/2015	Scalisi
D664,178 S	7/2012	Hinkel		9,172,920 B1	10/2015	Kasmir et al.
D664,554 S	7/2012	Nenoki		9,172,921 B1	10/2015	Scalisi et al.
D666,995 S	9/2012	Termeer		9,172,922 B1	10/2015	Kasmir et al.
8,334,656 B2	12/2012	Weiss		D743,415 S	11/2015	Pfriem
D677,297 S	3/2013	Bart		9,179,107 B1	11/2015	Scalisi et al.
D679,309 S	4/2013	Park		9,179,108 B1	11/2015	Scalisi et al.
D682,658 S	5/2013	Cramer		9,179,109 B1	11/2015	Kasmir et al.
D687,446 S	8/2013	Arnold		9,196,133 B2	11/2015	Scalisi et al.
D687,841 S	8/2013	Arnold		9,197,867 B1	11/2015	Scalisi et al.
D689,220 S	9/2013	Zhang		D745,050 S	12/2015	Kwon
D689,536 S	9/2013	Li		D745,080 S	12/2015	Masano
D692,847 S	11/2013	Barley		D745,546 S	12/2015	Johnson
D693,839 S	11/2013	Hally		D747,640 S	1/2016	Scalisi
D694,305 S	11/2013	Katori		9,237,318 B2	1/2016	Kasmir
				9,243,455 B2	1/2016	Harrison
				9,247,219 B2	1/2016	Kasmir
				D750,112 S	2/2016	Kim
				D751,446 S	3/2016	Lin

(56)

References Cited

U.S. PATENT DOCUMENTS

D752,076 S 3/2016 Guesnon, Jr.  
 D753,664 S 4/2016 McClelland  
 9,342,936 B2 5/2016 Scalisi  
 D764,958 S 8/2016 Scalisi  
 D765,530 S 9/2016 Scalisi  
 D766,864 S \* 9/2016 Tani ..... D14/159  
 D766,865 S \* 9/2016 Tani ..... D14/159  
 D776,068 S \* 1/2017 Maffetone ..... D13/162  
 D778,195 S 2/2017 Li  
 9,584,775 B2 2/2017 Siminoff  
 D787,359 S \* 5/2017 Scalisi ..... D10/118.2  
 D788,061 S \* 5/2017 Siminoff ..... D10/118.2  
 D788,834 S \* 6/2017 Bhattacharya ..... D16/203  
 D789,820 S \* 6/2017 Siminoff ..... D10/118.2  
 D793,268 S \* 8/2017 Ye ..... D10/118.2  
 D795,940 S \* 8/2017 Huang ..... D16/203  
 D798,177 S \* 9/2017 Siminoff ..... D10/118.2  
 D800,592 S \* 10/2017 Jean ..... D10/118.2  
 D801,843 S \* 11/2017 Siminoff ..... D10/118.1  
 D802,463 S \* 11/2017 Siminoff ..... D10/118.2  
 D802,644 S \* 11/2017 Lee ..... D16/202  
 D816,528 S \* 5/2018 Wen ..... D10/118.2  
 D817,207 S \* 5/2018 Scalisi ..... D10/118.2  
 D817,208 S \* 5/2018 Ravat ..... D10/118.2  
 D818,514 S \* 5/2018 Ahman ..... D16/203  
 2004/0124978 A1 7/2004 Chen  
 2007/0067798 A1 3/2007 Wroblewski  
 2008/0036862 A1 2/2008 Lang  
 2011/0156566 A1 6/2011 Chen  
 2013/0045763 A1 2/2013 Ruiz  
 2013/0335568 A1 \* 12/2013 Tang ..... H04N 5/772  
 348/148  
 2014/0125754 A1 5/2014 Haywood  
 2014/0157329 A1 6/2014 Roberts  
 2015/0022618 A1 1/2015 Siminoff  
 2015/0049191 A1 2/2015 Scalisi et al.  
 2015/0082172 A1 3/2015 Shakib  
 2015/0319411 A1 11/2015 Kasmir  
 2015/0341603 A1 11/2015 Kasmir  
 2015/0358515 A1 12/2015 Resnick

2016/0044287 A1 2/2016 Scalisi  
 2016/0070432 A1 3/2016 Caporal  
 2016/0191864 A1 \* 6/2016 Siminoff ..... H04N 7/186  
 348/155

OTHER PUBLICATIONS

Available Apr. 4, 2013, [online], [site visited May 30, 2018]. Available from Internet, <URL:https://web.archive.org/web/20130404165907/https://www.forbesandlomag.com/the-invisible-lightswitch.html> (Year: 2013).\*

Available Jun. 1, 2017, [online], [site visited May 30, 2018]. Available from Internet, <URL:https://www.amazon.com/Wireless-Doorbell-Intercom-Operating-Napok/dp/B071FR8J41> (Year: 2017).\*

Available May 30, 2018, [online], [site visited May 30, 2018]. Available from Internet, <URL:https://www.etsy.com/listing/599141432/2-vintage-intercom-push-button-boxes>(Year: 2018).\*

Available May 30, 2018, [online], [site visited May 30, 2018]. Available from Internet, <URL:https://www.homedepot.com/p/Nest-Wired-Hello-Door-Bell-Push-Button-White-NC5100US/302997805> (Year: 2018).\*

Available May 18, 2018, [online], [site visited May 30, 2018]. Available from Internet, <URL:https://www.tomsguide.com/us/best-video-doorbells,review-4468.html> (Year: 2018).\*

(Via YouTube), available Jun. 27, 2015, [online], [site visited May 30, 2018]. Video available from internet, <URL:https://www.youtube.com/watch?v=CFcaYI\_K19E> (Year: 2015).\*

Available May 30, 2018, [online], [site visited May 30, 2018]. Available from Internet, <URL:https://blinkforhome.com/products/blinkxt-refurbished> (Year: 2018).\*

MySkyBell.com (later SkyBell.com)—Downloaded on Nov. 18, 2013 from http://www.myskybell.com.

DefenDoor by Glate LLC—Downloaded on Dec. 11, 2014 from https://www.kickstarter.com/projects/85455040/defendoor-a-home-security-system-that-syncs-with-y.

EyeTalk—Downloaded on May 24, 2013 from http://www.revolutionaryconceptsinc.com/forhome.html.

August Smart Lock—Downloaded on Oct. 10, 2014 from www.August.com.

\* cited by examiner

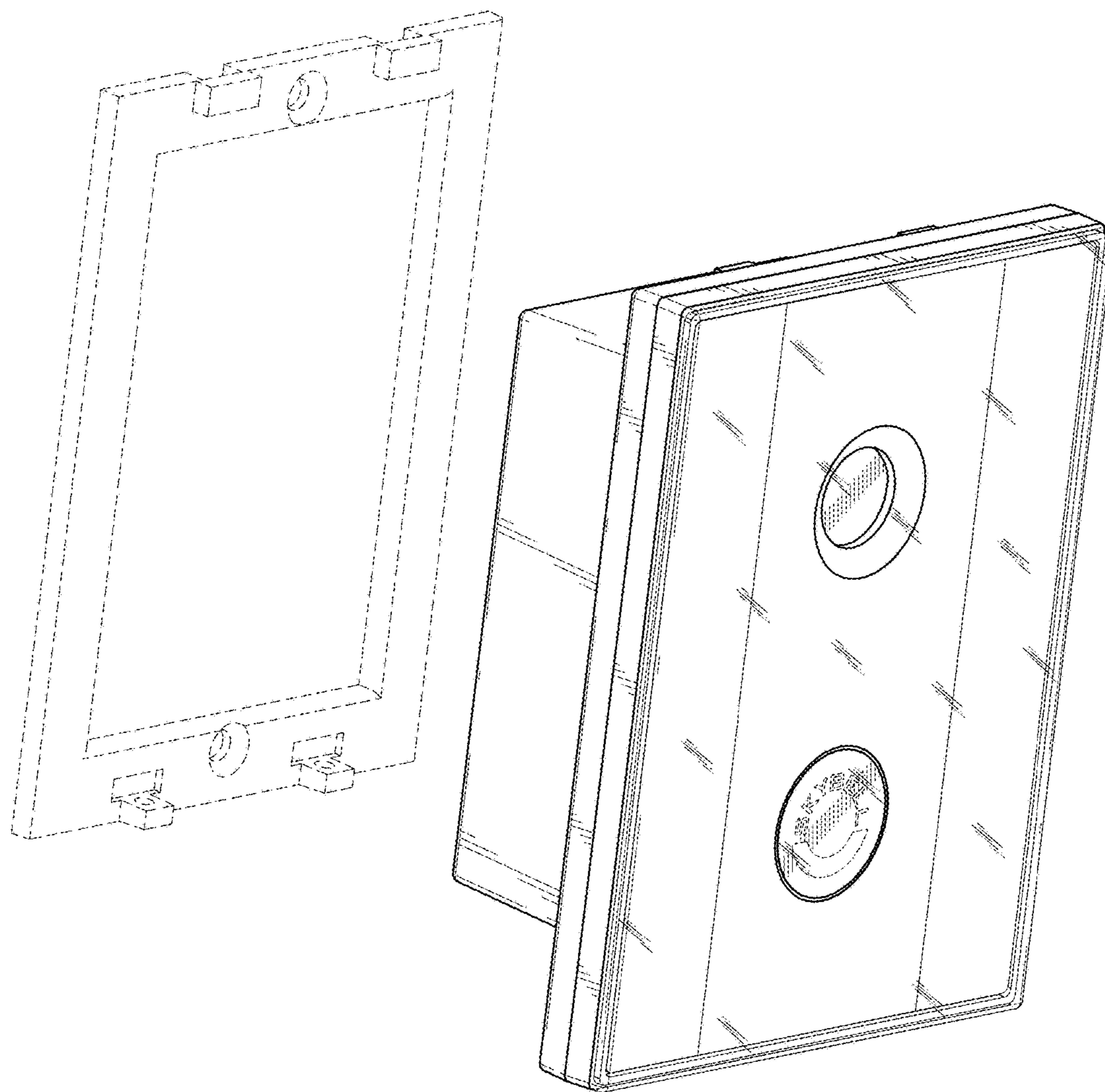


FIG. 1

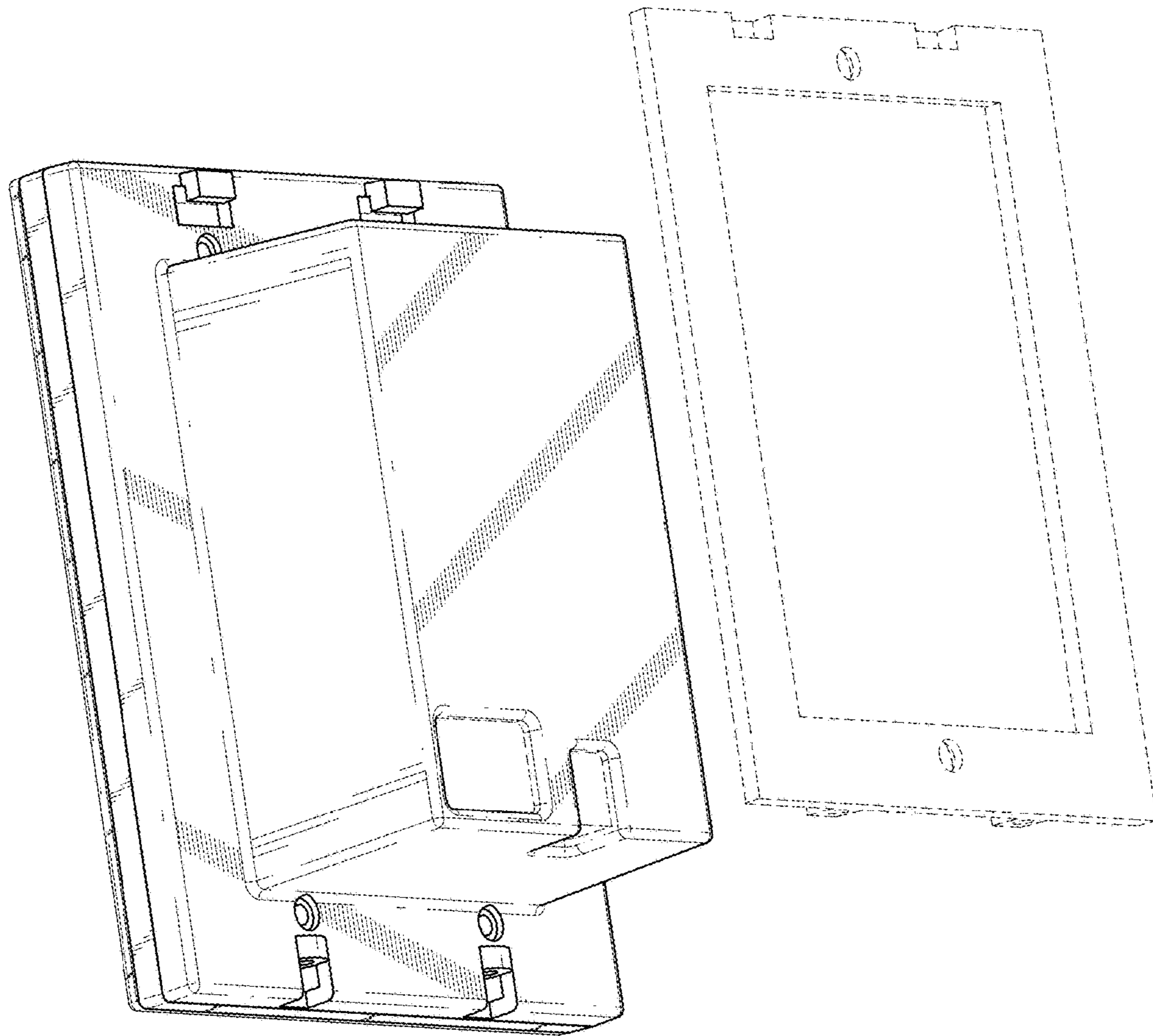


FIG. 2

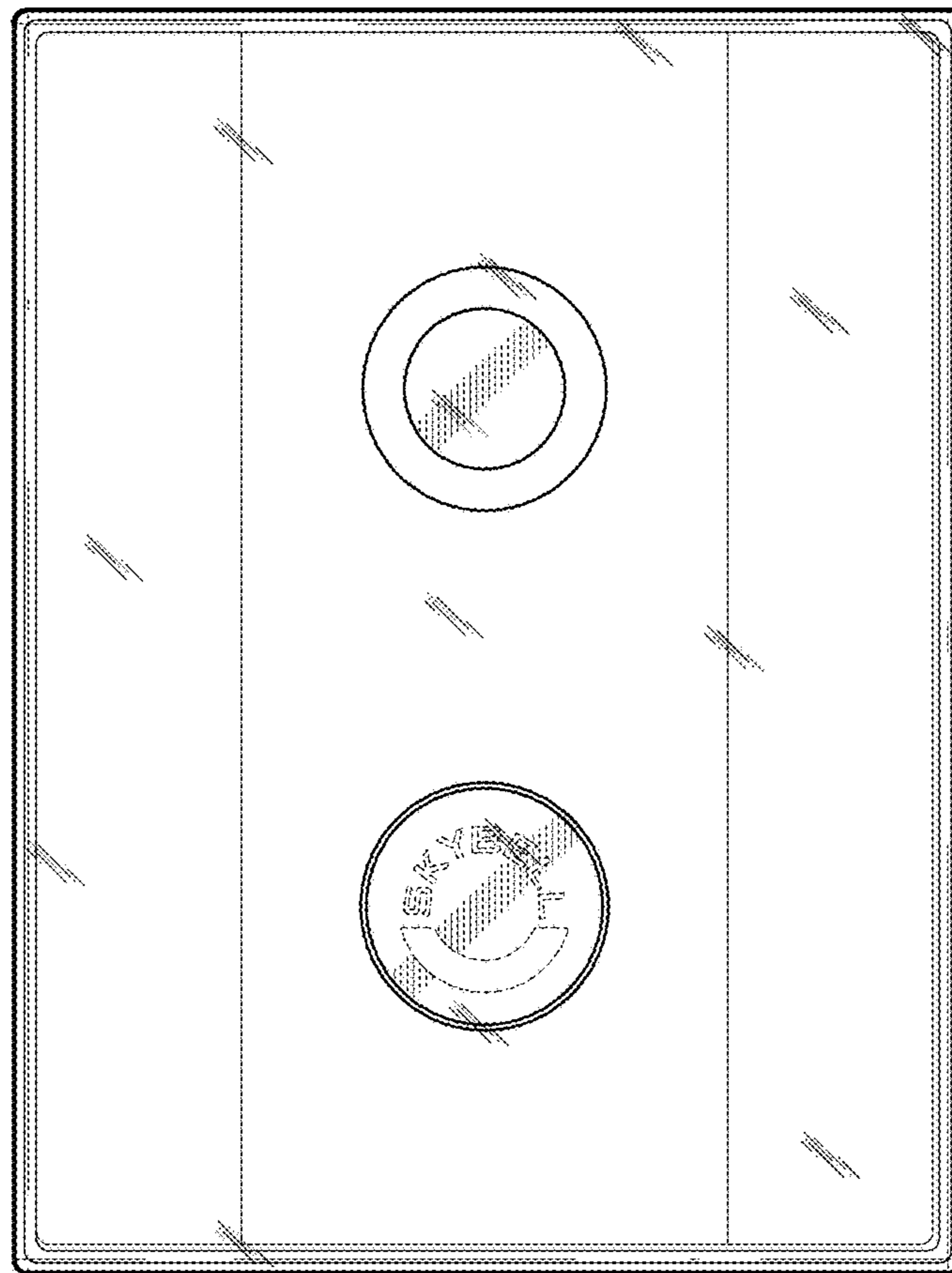


FIG. 3

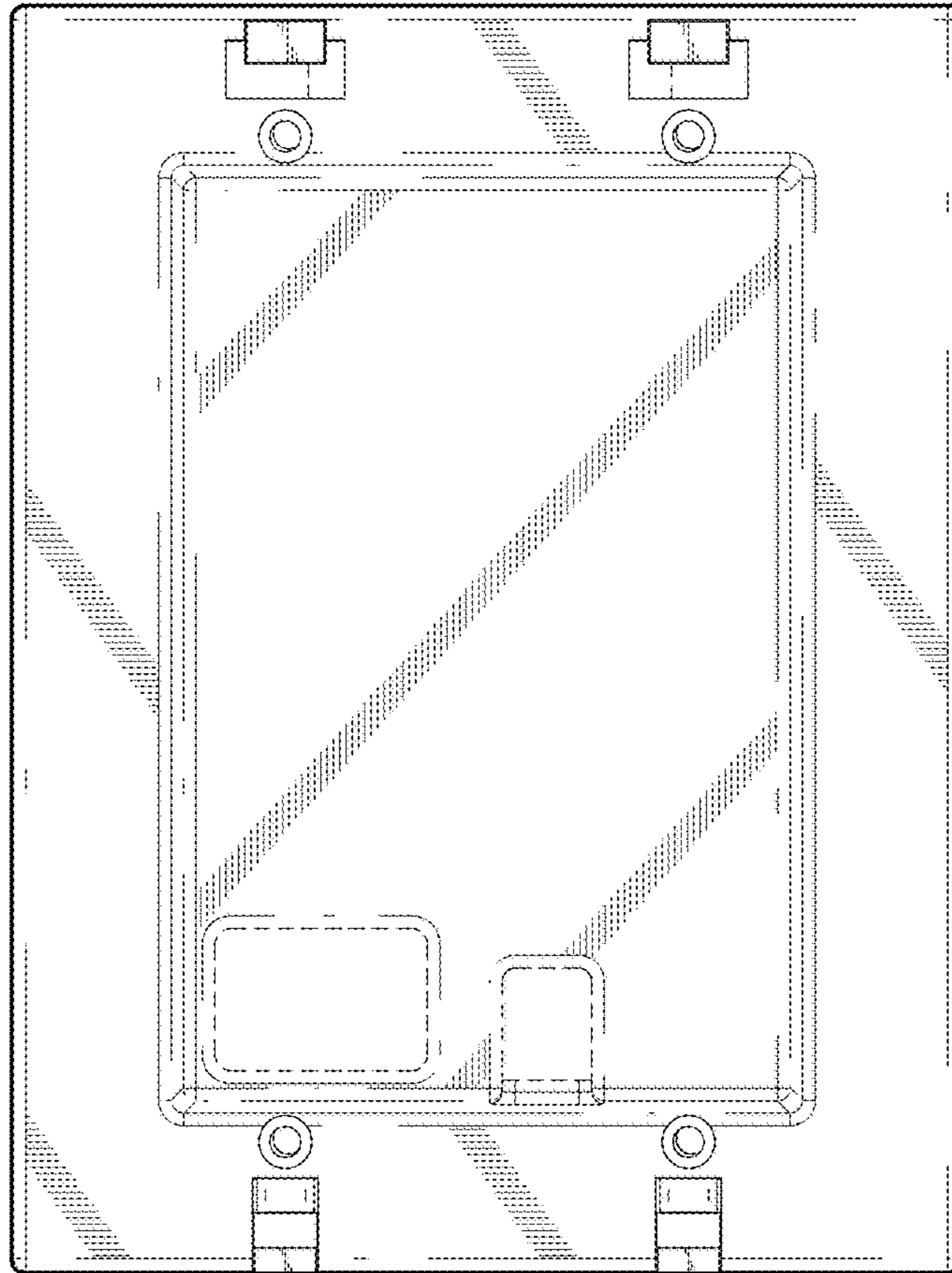


FIG. 4

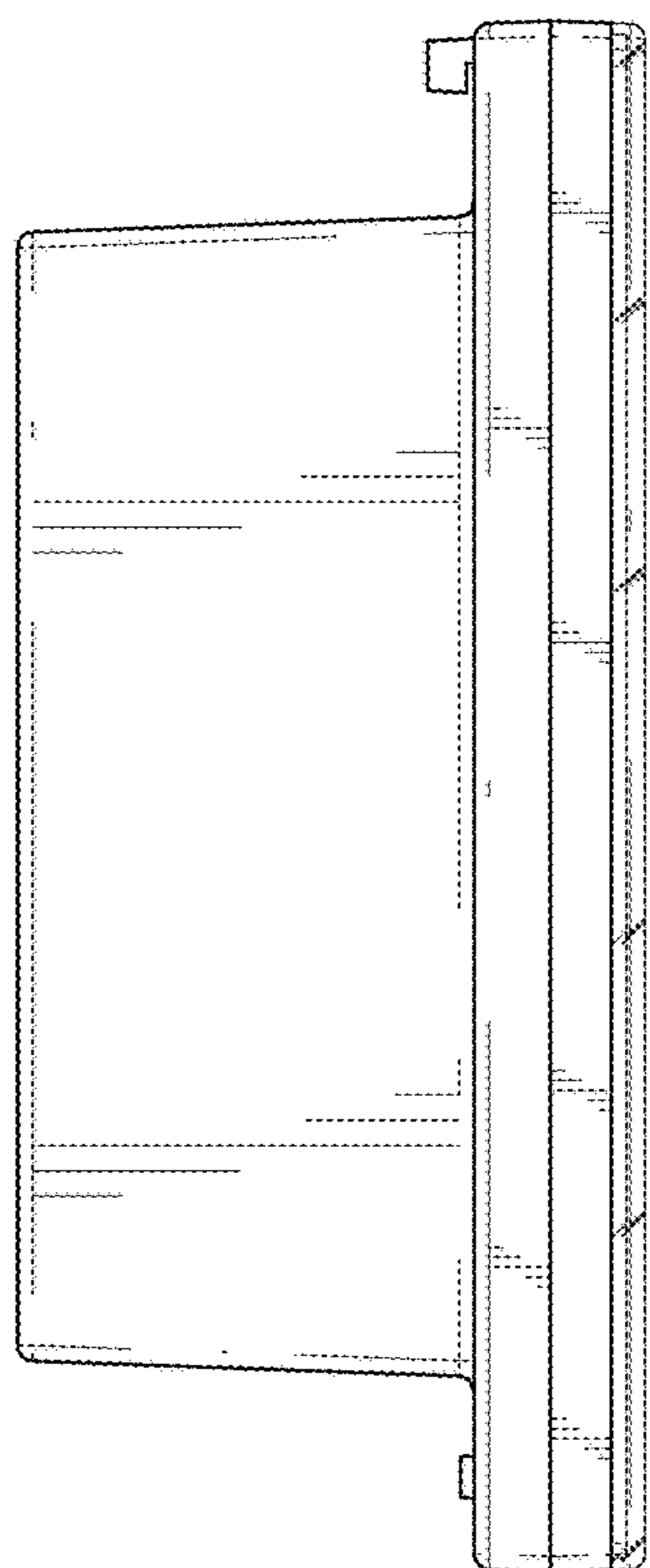


FIG. 5

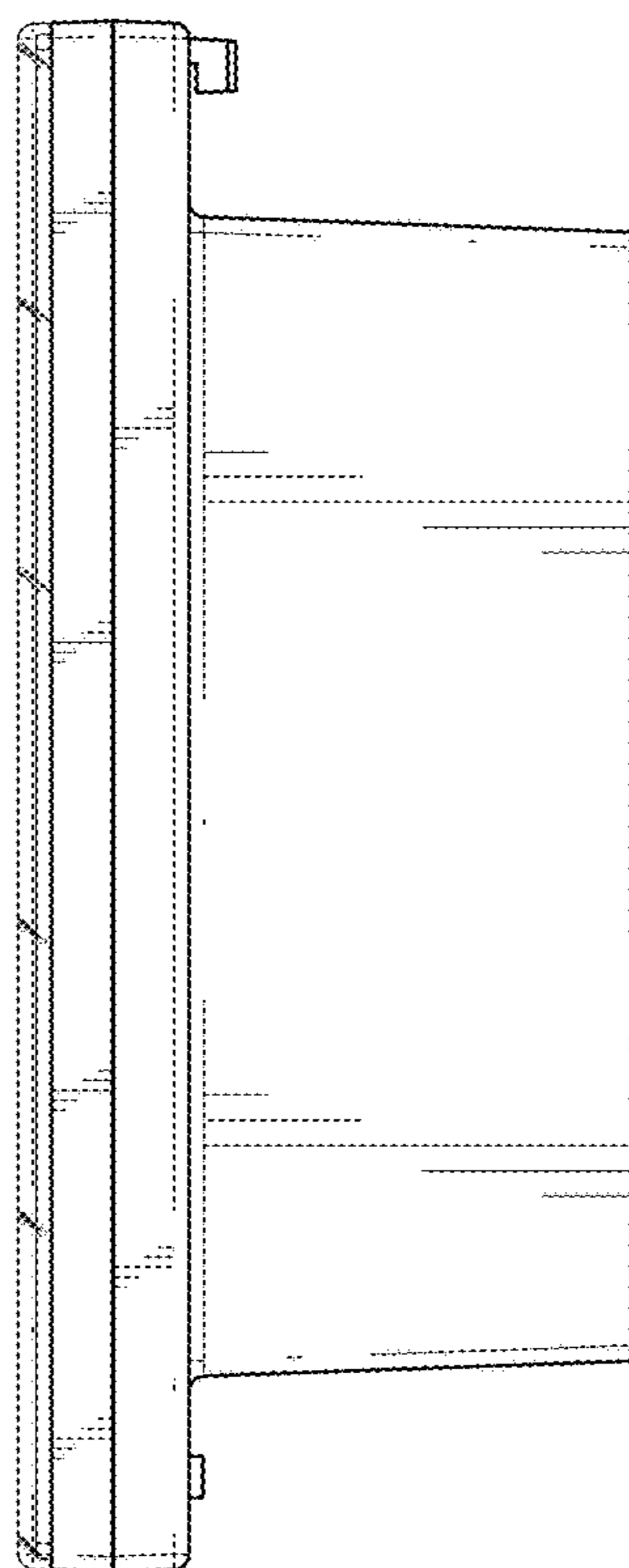


FIG. 6



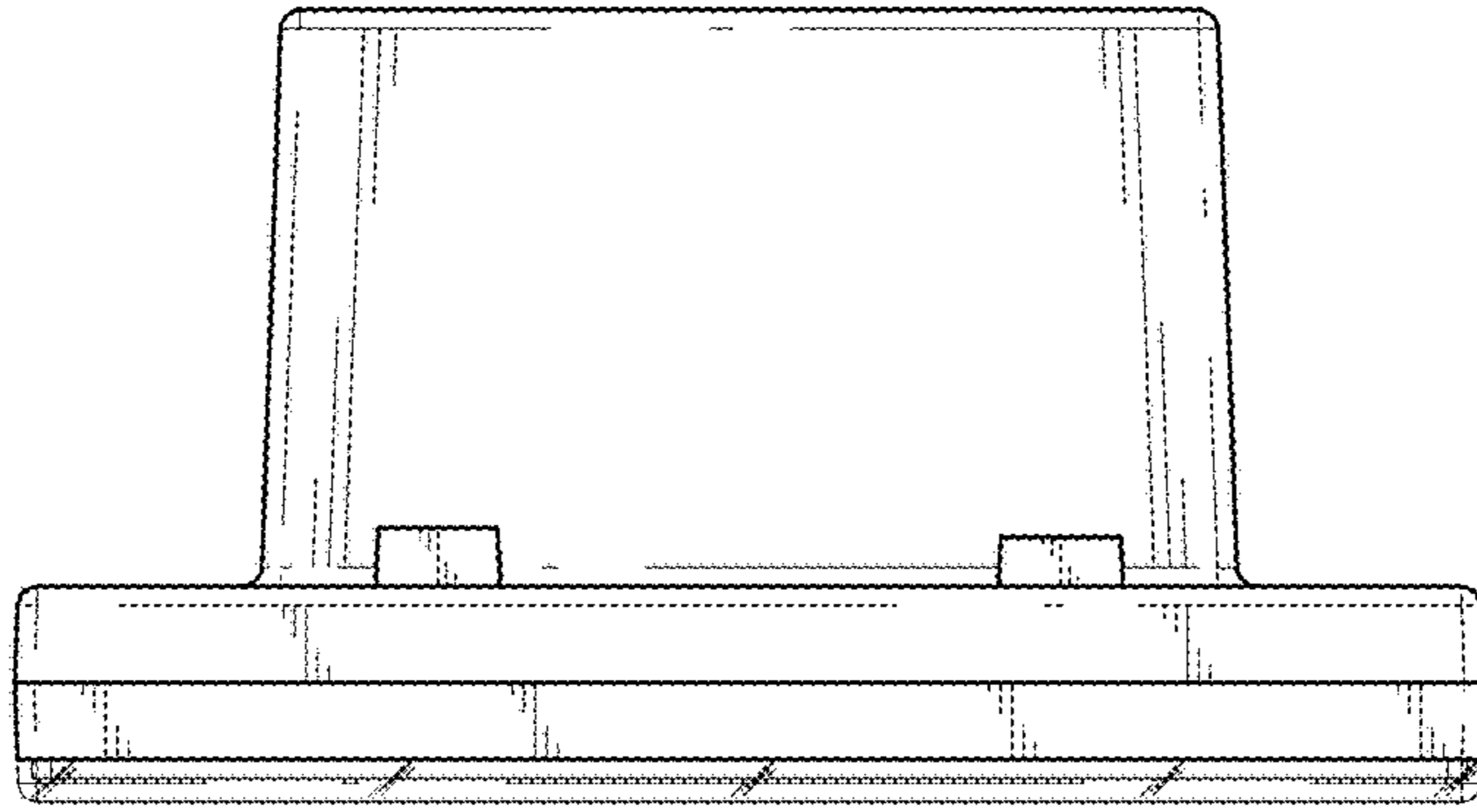


FIG. 7

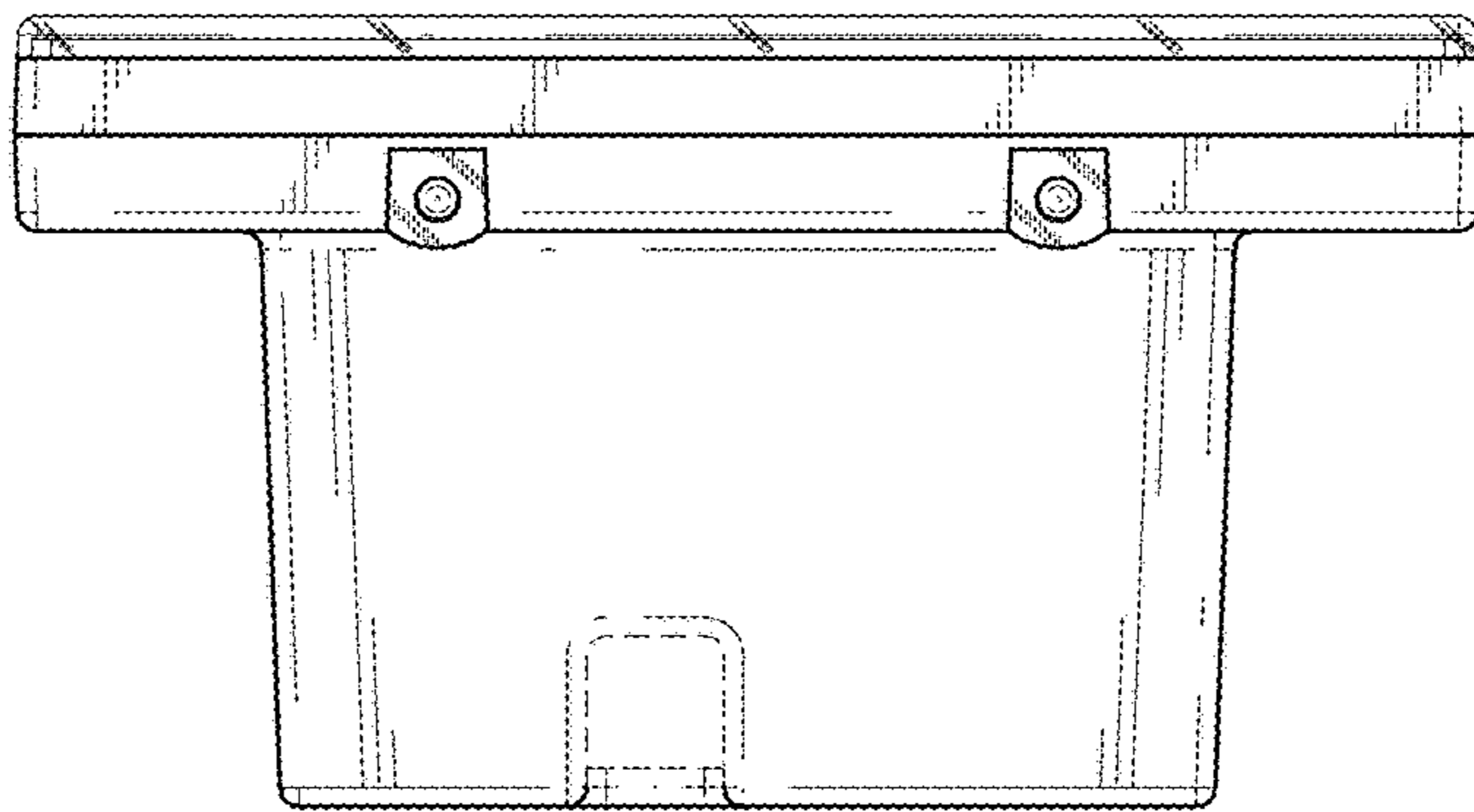


FIG. 8