



US00D840856S

(12) **United States Design Patent** (10) **Patent No.:** **US D840,856 S**
Scalisi (45) **Date of Patent:** **** Feb. 19, 2019**

(54) **DOORBELL**

(71) Applicant: **SkyBell Technologies, Inc.**, Irvine, CA (US)

(72) Inventor: **Joseph Frank Scalisi**, Yorba Linda, CA (US)

(73) Assignee: **SkyBell Technologies, Inc.**, Irvine, CA (US)

(**) Term: **15 Years**

(21) Appl. No.: **29/618,906**

(22) Filed: **Sep. 25, 2017**

(51) **LOC (11) Cl.** **10-05**

(52) **U.S. Cl.**

USPC **D10/118.2**

(58) **Field of Classification Search**

USPC D10/46, 104.1, 106, 116.1, 118, 118.1, D10/118.2, 121, 124, 126; D14/159, 358; D25/147, 103; D16/202, 203, 208, 209, D16/215; D13/158, 169, 171, 174; D26/72, 85, 88; D8/350, 343, 305, 353; 340/392.1, 384.7, 326, 539.14; 200/310; 455/41.2

CPC H04M 11/02; H04M 11/025; G08B 3/00; G08B 3/10; G08B 7/00; G08B 7/06

See application file for complete search history.

(56) **References Cited**

U.S. PATENT DOCUMENTS

D179,803 S 3/1957 Gillette
D225,379 S 12/1972 Gallagher
4,172,967 A * 10/1979 Porter H04M 11/025
379/102.06

D283,130 S 3/1986 Boenning
D297,222 S 8/1988 Rauch
D305,019 S * 12/1989 Pena D13/171
D318,632 S * 7/1991 Polacek D10/108
5,127,244 A 7/1992 Myers
5,148,468 A * 9/1992 Marrick H04M 1/0291
379/167.01

D344,036 S 2/1994 Yuen
5,345,794 A 9/1994 Jenks
D371,086 S 6/1996 Collins
D381,638 S 7/1997 Kruse

(Continued)

FOREIGN PATENT DOCUMENTS

CA 1734431 * 2/2018

OTHER PUBLICATIONS

Available Apr. 1, 2018, [online], [site visited May 30, 2018]. Available from Internet, <URL:http://feelthenature.info/modern-push-button-light-switch/> (Year: 2018).*

Available Apr. 4, 2013, [online], [site visited May 30, 2018]. Available from Internet, <URL:https://web.archive.org/web/20130404165907/https://www.forbesandlomag.com/the-invisible-lightswitch.html> (Year: 2013).*

(Continued)

Primary Examiner — Cathron C Brooks
Assistant Examiner — Katrina N Gonzalez

(57) **CLAIM**

The ornamental design for a doorbell, as shown and described.

DESCRIPTION

FIG. 1 is an exploded front, side, and bottom perspective view of a doorbell showing the new design;

FIG. 2 is an exploded back, side, and bottom perspective view thereof;

FIG. 3 is a front view thereof;

FIG. 4 is a back view thereof;

FIG. 5 is a first side view thereof;

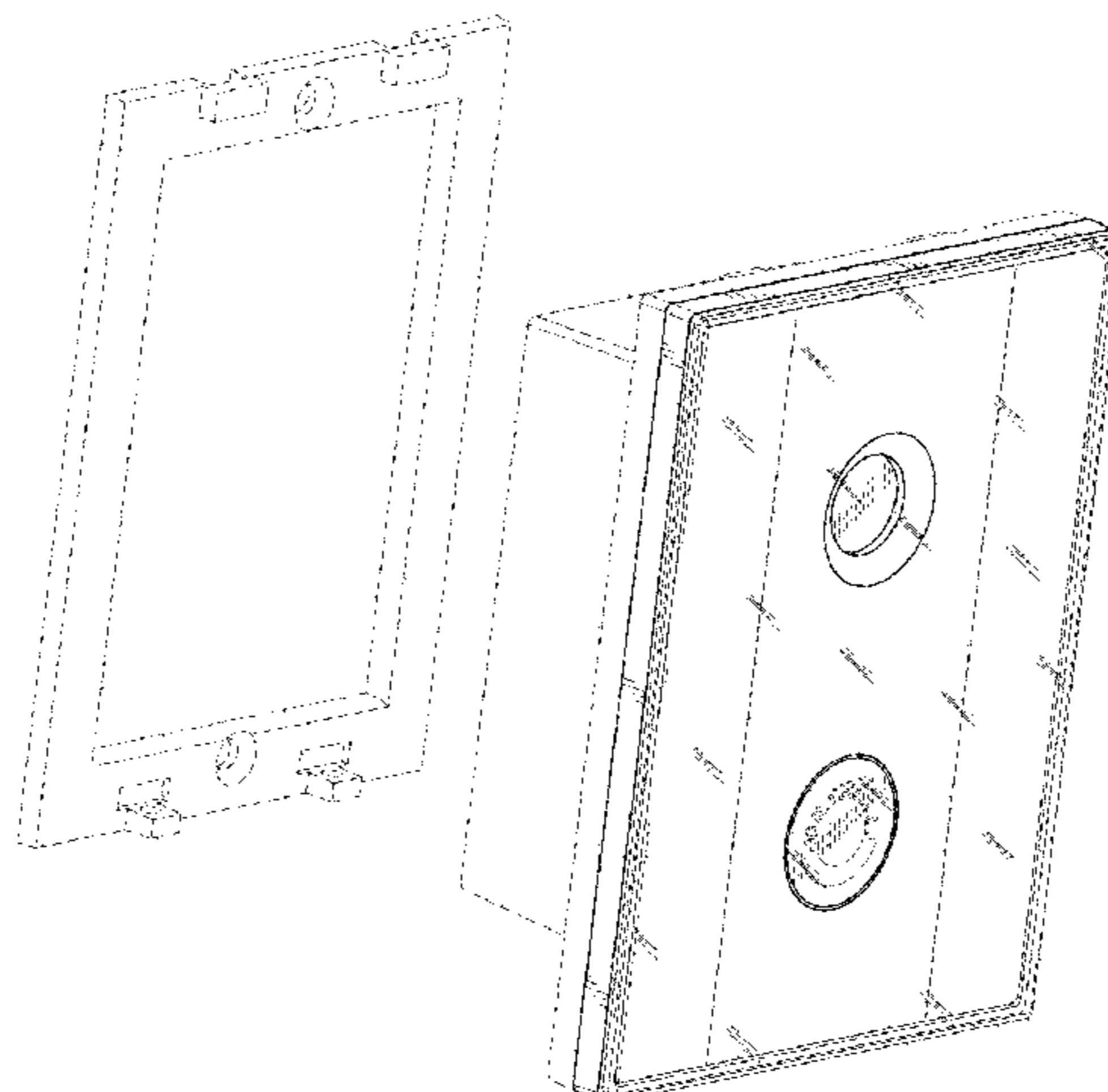
FIG. 6 is a second side view thereof;

FIG. 7 is a top view thereof; and,

FIG. 8 is a bottom view thereof.

The uniform repeating broken lines depict portions of a doorbell in which the claimed design is embodied and form no part of the claimed design.

1 Claim, 6 Drawing Sheets



(56)

References Cited

U.S. PATENT DOCUMENTS

5,671,624 A	9/1997	Sivils		D709,754 S	7/2014	Lylyk	
D392,576 S	3/1998	Pun		8,780,201 B1	7/2014	Skybell	
D392,907 S *	3/1998	Buckley, III	D10/108	D710,377 S	8/2014	Rydenhag	
D392,987 S	3/1998	Sakata		D710,676 S	8/2014	Kiechel	
D395,814 S	7/1998	Yang		D710,727 S	8/2014	Siminoff	
D404,673 S	1/1999	Gordon		D710,728 S	8/2014	Siminoff	
D418,770 S	1/2000	Ragan		D711,275 S	8/2014	Skybell	
6,016,677 A	1/2000	Clark		D711,903 S	8/2014	Mishra	
D422,521 S	4/2000	Morrow		8,823,795 B1	9/2014	Skybell	
D422,893 S	4/2000	Heredos-Formby		8,834,044 B2	9/2014	Uehara	
D435,576 S	12/2000	McBride		8,842,180 B1	9/2014	Skybell	
D435,577 S	12/2000	McBride		8,872,915 B1	10/2014	Skybell	
D442,617 S	5/2001	Ohmori		D719,205 S	12/2014	Matsumoto	
D455,767 S	4/2002	Tsang		D719,994 S	12/2014	Wang	
D455,768 S	4/2002	Tsang		D720,363 S	12/2014	Ranz	
D465,532 S	11/2002	Hussaini		D720,764 S	1/2015	Lee	
D479,720 S	9/2003	Ohashi		D721,755 S	1/2015	Åhman	
D480,741 S	10/2003	Berger		8,937,659 B1	1/2015	Skybell	
D487,939 S	3/2004	Smith		8,941,736 B1	1/2015	Skybell	
D489,323 S	5/2004	Yoshida		D722,318 S	2/2015	Moore	
D494,287 S	8/2004	Matsui		D722,319 S	2/2015	Moore	
6,812,970 B1	11/2004	McBride		D722,611 S	2/2015	Moore	
D500,751 S	1/2005	Yukikado		D722,709 S	2/2015	Bosua	
D509,842 S	9/2005	Ou		8,947,530 B1	2/2015	Skybell	
7,015,943 B2	3/2006	Chiang		8,953,040 B1	2/2015	Skybell	
D519,100 S	4/2006	Shioya		D725,670 S	3/2015	Zhang	
D522,490 S	6/2006	Yukikado		D727,769 S	4/2015	Skybell	
D525,963 S	8/2006	Yukikado		D727,989 S	4/2015	Hasuda	
7,113,578 B2	9/2006	Unger		9,013,575 B2	4/2015	Skybell	
D531,160 S	10/2006	Yukikado		D728,601 S	5/2015	Angelides	
D534,566 S	1/2007	Ishii		D728,655 S	5/2015	Daniel	
D537,095 S	2/2007	Alden		D729,678 S	5/2015	Skybell	
D562,306 S	2/2008	Jeong		D729,859 S	5/2015	Shin	
D574,742 S	8/2008	Spencer		D732,547 S	6/2015	McClelland	
D575,316 S	8/2008	Liu		9,049,352 B2	6/2015	Skybell	
D577,301 S	9/2008	Johnson		9,055,202 B1	6/2015	Skybell	
D588,069 S *	3/2009	Cummings	D13/158	9,058,738 B1	6/2015	Skybell	
D588,574 S	3/2009	Takahata		9,060,103 B2	6/2015	Skybell	
D592,231 S	5/2009	Schnell		9,060,104 B2	6/2015	Skybell	
D592,611 S *	5/2009	Altonen	D13/171	9,065,987 B2	6/2015	Skybell	
D594,311 S	6/2009	Stevens		D733,780 S	7/2015	Chen	
D595,240 S *	6/2009	Busbridge	D13/164	D734,801 S	7/2015	Yang	
D595,260 S	6/2009	Takahata		9,094,584 B2	7/2015	Skybell	
D605,542 S	12/2009	Ho		D736,294 S	8/2015	Skybell	
D619,157 S	7/2010	Kim		D736,717 S *	8/2015	Duffy	D13/162
D621,795 S *	8/2010	Tsui	D13/171	D737,283 S	8/2015	Skybell	
D633,921 S	3/2011	Brinda		9,113,051 B1	8/2015	Skybell	
D634,181 S	3/2011	Kang		9,113,052 B1	8/2015	Skybell	
D636,286 S	4/2011	Khor		9,118,819 B1	8/2015	Skybell	
D638,853 S	5/2011	Brinda		9,142,214 B2	9/2015	Skybell	
D645,071 S	9/2011	Hinkel		9,143,343 B2	9/2015	Kim	
D646,801 S	10/2011	Chou		D740,873 S	10/2015	Skybell	
D647,946 S	11/2011	Raken		D741,866 S	10/2015	Ballout	
D657,410 S	4/2012	Helaoui		9,160,987 B1	10/2015	Skybell	
D660,819 S	5/2012	Chen		9,165,444 B2	10/2015	Skybell	
D664,178 S	7/2012	Hinkel		9,172,920 B1	10/2015	Kskybell	
D664,554 S	7/2012	Nenoki		9,172,921 B1	10/2015	Skybell	
D666,995 S	9/2012	Termeer		9,172,922 B1	10/2015	Skybell	
8,334,656 B2	12/2012	Weiss		D743,415 S	11/2015	Pfriem	
D677,297 S	3/2013	Bart		9,179,107 B1	11/2015	Skybell	
D679,309 S	4/2013	Park		9,179,108 B1	11/2015	Skybell	
D682,658 S	5/2013	Cramer		9,179,109 B1	11/2015	Skybell	
D687,446 S	8/2013	Arnold		9,196,133 B2	11/2015	Skybell	
D687,841 S	8/2013	Arnold		9,197,867 B1	11/2015	Skybell	
D689,220 S	9/2013	Zhang		D745,050 S	12/2015	Kwon	
D689,536 S	9/2013	Li		D745,080 S	12/2015	Masano	
D692,847 S	11/2013	Barley		D745,546 S	12/2015	Johnson	
D693,839 S	11/2013	Hally		D747,640 S	1/2016	Scalisi	
D694,305 S	11/2013	Katori		9,237,318 B2	1/2016	Kasmir	
D694,306 S	11/2013	Katori		9,243,455 B2	1/2016	Harrison	
D701,521 S	3/2014	Kim		9,247,219 B2	1/2016	Kasmir	
D705,246 S	5/2014	Ranz		D750,112 S	2/2016	Kim	
D705,794 S	5/2014	Ranz		D751,446 S	3/2016	Lin	
D707,147 S *	6/2014	Crippa	D10/118.2	D752,076 S	3/2016	Guesnon, Jr.	
D707,697 S	6/2014	Ranz		D753,664 S	4/2016	McClelland	
				9,342,936 B2	5/2016	Scalisi	
				D764,958 S	8/2016	Scalisi	
				D765,530 S	9/2016	Scalisi	
				D766,864 S *	9/2016	Tani	D14/159

(56)

References Cited

U.S. PATENT DOCUMENTS

D766,865	S *	9/2016	Tani	D14/159
D778,195	S	2/2017	Li		
9,584,775	B2	2/2017	Siminoff		
D787,359	S *	5/2017	Scalisi	D10/118.2
D788,061	S *	5/2017	Siminoff	D10/118.2
D788,834	S *	6/2017	Bhattacharya	D16/203
D789,820	S *	6/2017	Siminoff	D10/118.2
D793,268	S *	8/2017	Ye	D10/118.2
D795,940	S *	8/2017	Huang	D16/203
D798,177	S *	9/2017	Siminoff	D10/118.2
D800,592	S *	10/2017	Jean	D10/118.2
D801,843	S *	11/2017	Siminoff	D10/118.1
D802,463	S *	11/2017	Siminoff	D10/118.2
D802,644	S *	11/2017	Lee	D16/202
D817,207	S *	5/2018	Scalisi	D10/118.2
D817,208	S *	5/2018	Ravat	D10/118.2
D818,514	S *	5/2018	Ahman	D16/203
2004/0124978	A1	7/2004	Chen		
2007/0067798	A1	3/2007	Wroblewski		
2008/0036862	A1	2/2008	Lang		
2011/0156566	A1	6/2011	Chen		
2013/0045763	A1	2/2013	Ruiz		
2014/0125754	A1	5/2014	Haywood		
2014/0157329	A1	6/2014	Roberts		
2015/0022618	A1	1/2015	Siminoff		
2015/0049191	A1	2/2015	Skybell		
2015/0082172	A1	3/2015	Shakib		
2015/0319411	A1	11/2015	Kasmir		
2015/0341603	A1	11/2015	Kasmir		
2015/0358515	A1	12/2015	Resnick		
2016/0044287	A1	2/2016	Scalisi		
2016/0070432	A1	3/2016	Caporal		

OTHER PUBLICATIONS

Available Jun. 1, 2017, [online], [site visited May 30, 2018]. Available from Internet, <URL:https://www.amazon.com/Wireless-Doorbell-Intercom-Operating-Napok/dp/B071FR8J41> (Year: 2017).*

Available May 30, 2018, [online], [site visited May 30, 2018]. Available from Internet, <URL:https://www.etsy.com/listing/599141432/2-vintage-intercom-push-button-boxes> (Year: 2018).*

Available May 30, 2018, [online], [site visited May 30, 2018]. Available from Internet, <URL:https://www.homedepot.com/p/Nest-Wired-Hello-Door-Bell-Push-Button-White-NC5100US/302997805> (Year: 2018).*

Available May 18, 2018, [online], [site visited May 30, 2018]. Available from Internet, <URL:https://www.tomsguide.com/us/best-video-doorbells,review-4468.html> (Year: 2018).*

(Via YouTube), available Jun. 27, 2015, [online], [site visited May 30, 2018]. Video available from internet, <URL:https://www.youtube.com/watch?v=CFcaYI_K19E> (Year: 2015).*

Available May 30, 2018, [online], [site visited May 30, 2018]. Available from Internet, <URL:https://blinkforhome.com/products/blinkxt-refurbished> (Year: 2018).*

MySkyBell.com (later SkyBell.com)—Downloaded on Nov. 18, 2013 from <http://www.myskybell.com>.

DefenDoor by Glate LLC—Downloaded on Dec. 11, 2014 from <https://www.kickstarter.com/projects/85455040/defendoor-a-home-security-system-that-syncs-with-y>.

EyeTalk—Downloaded on May 24, 2013 from <http://www.revolutionaryconceptsinc.com/forhome.html>.

August Smart Lock—Downloaded on Oct. 10, 2014 from www.august.com.

* cited by examiner

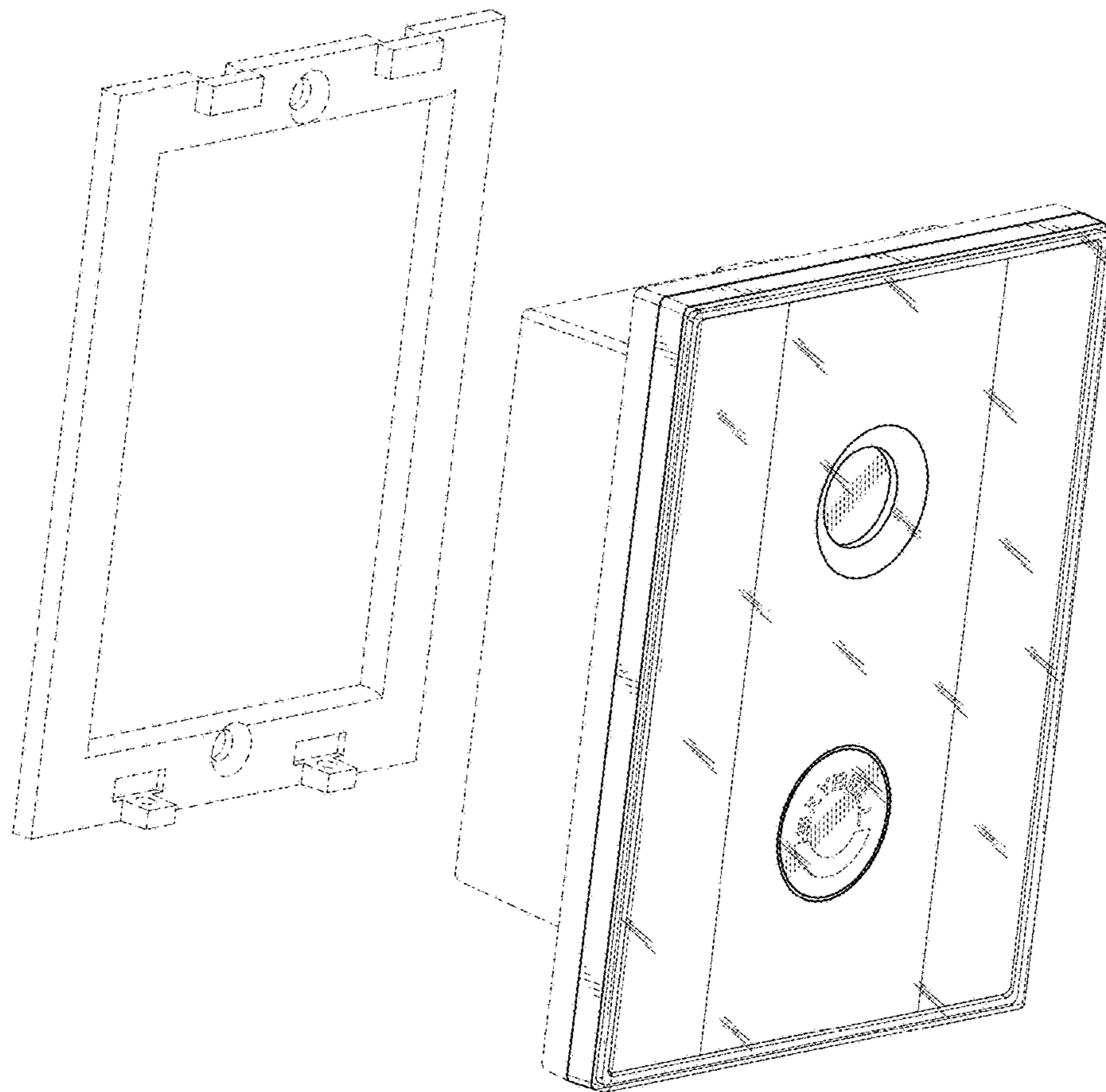


FIG. 1

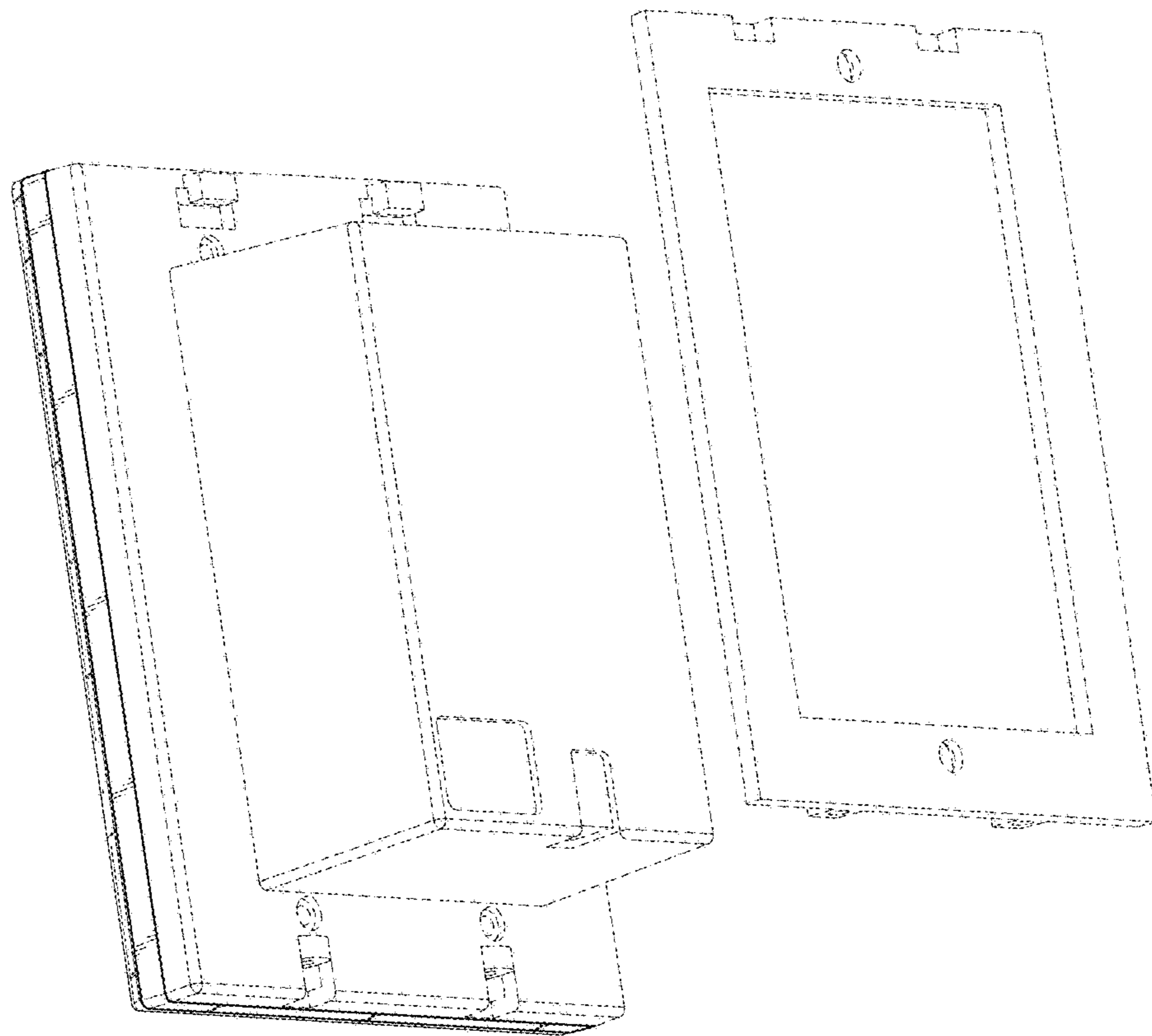


FIG. 2

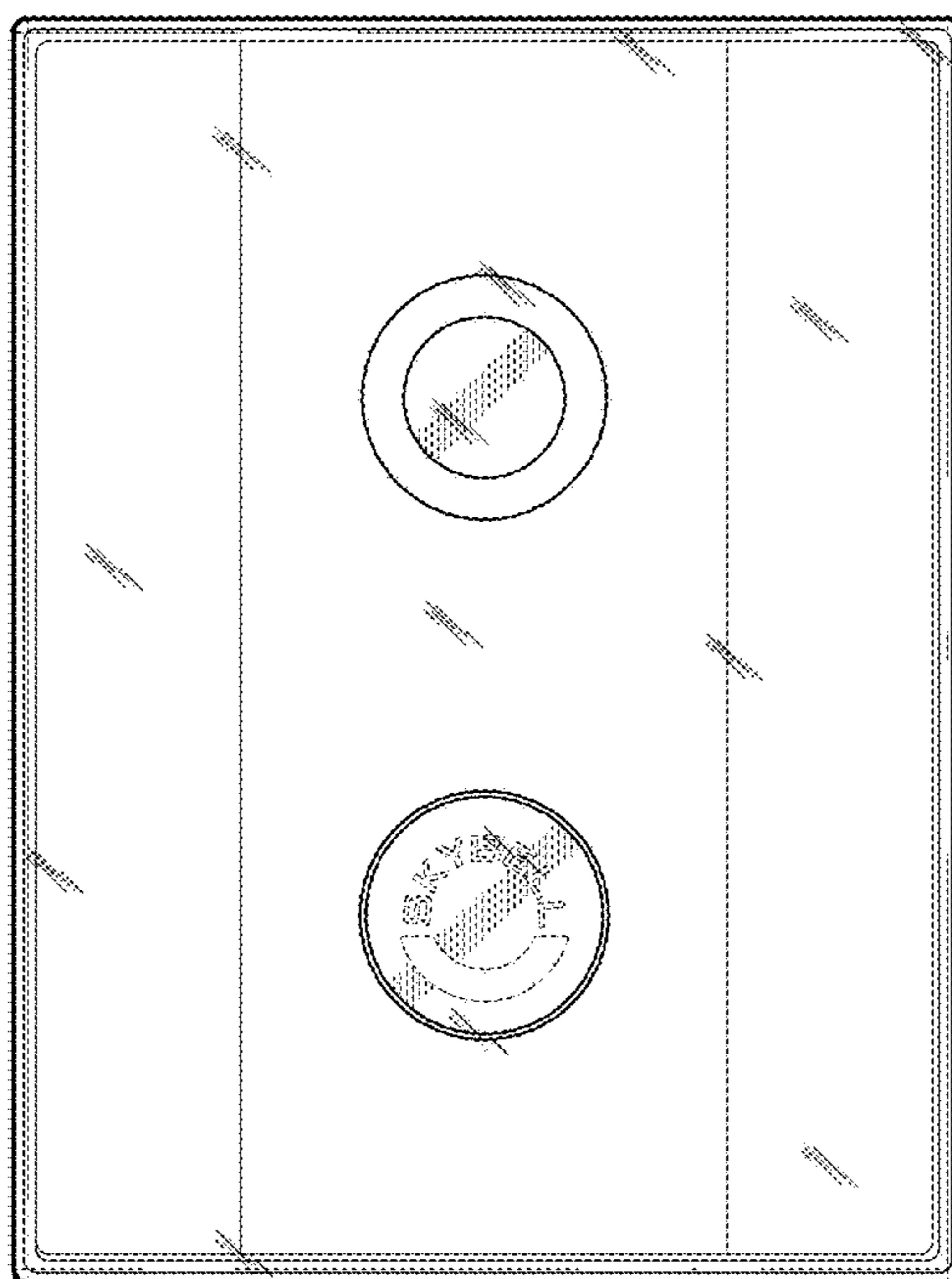


FIG. 3

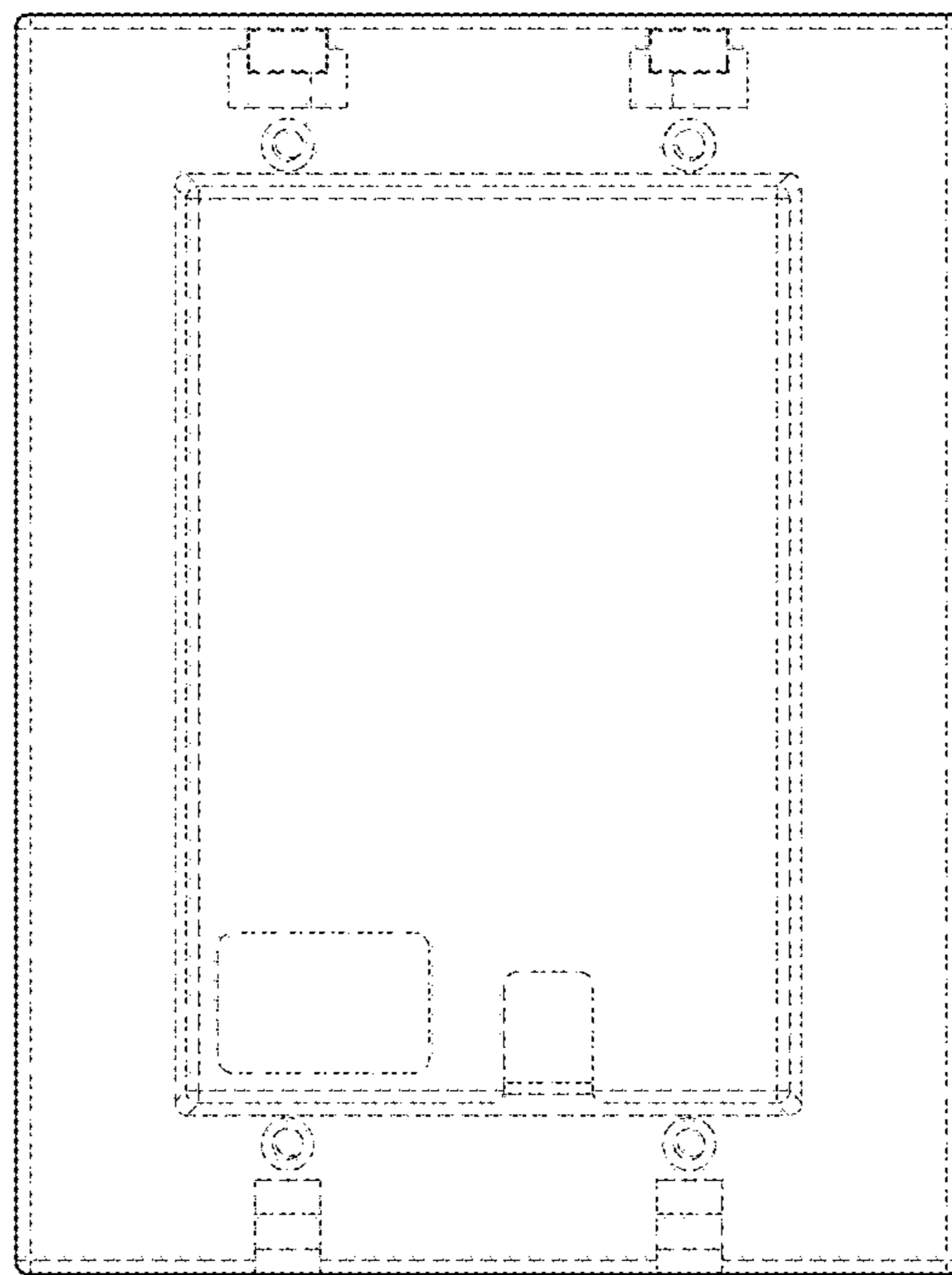


FIG. 4

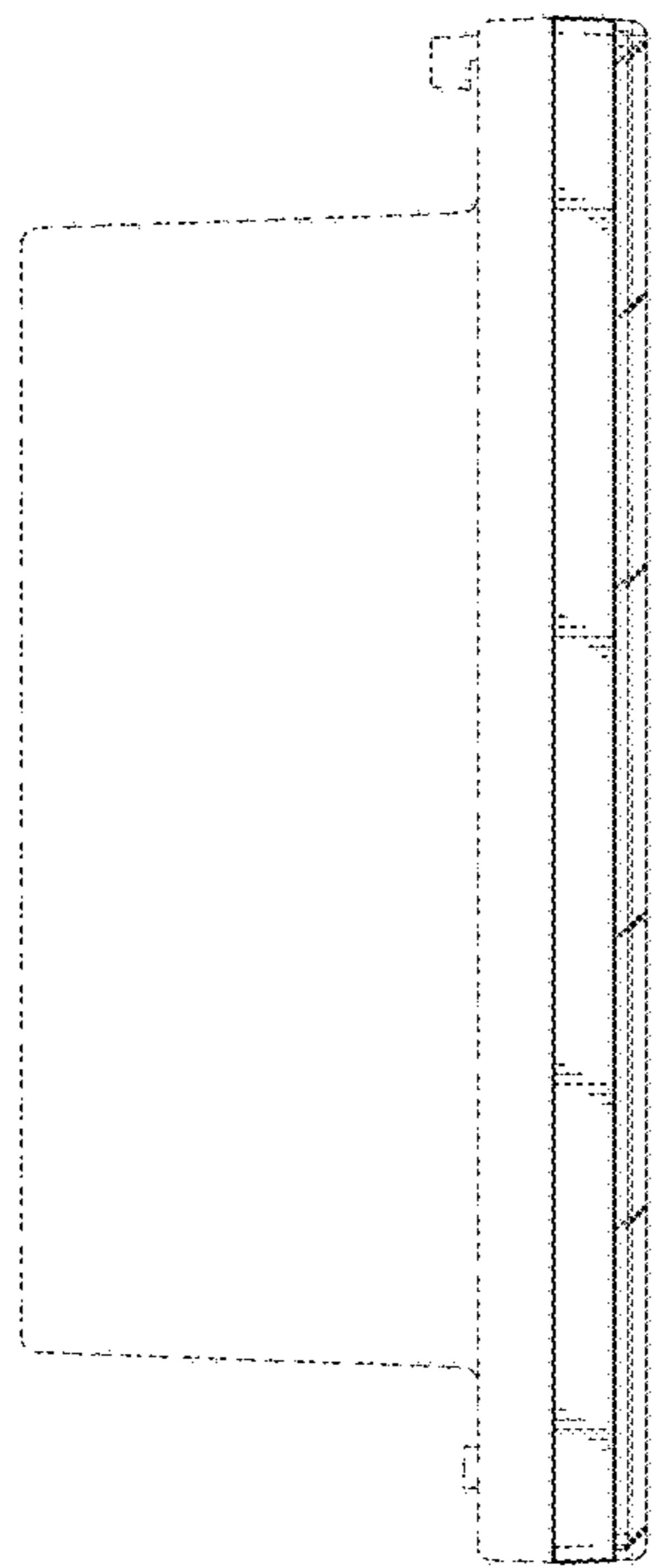


FIG. 5

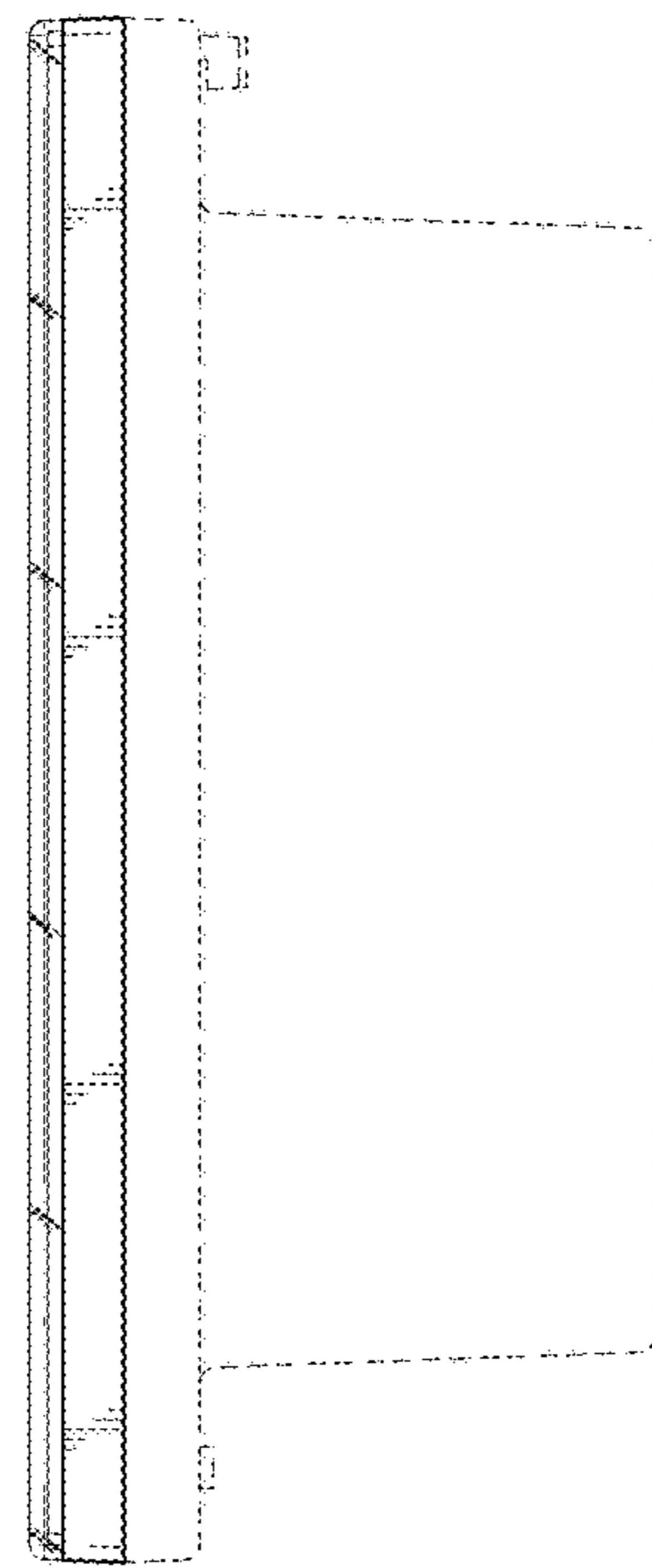


FIG. 6

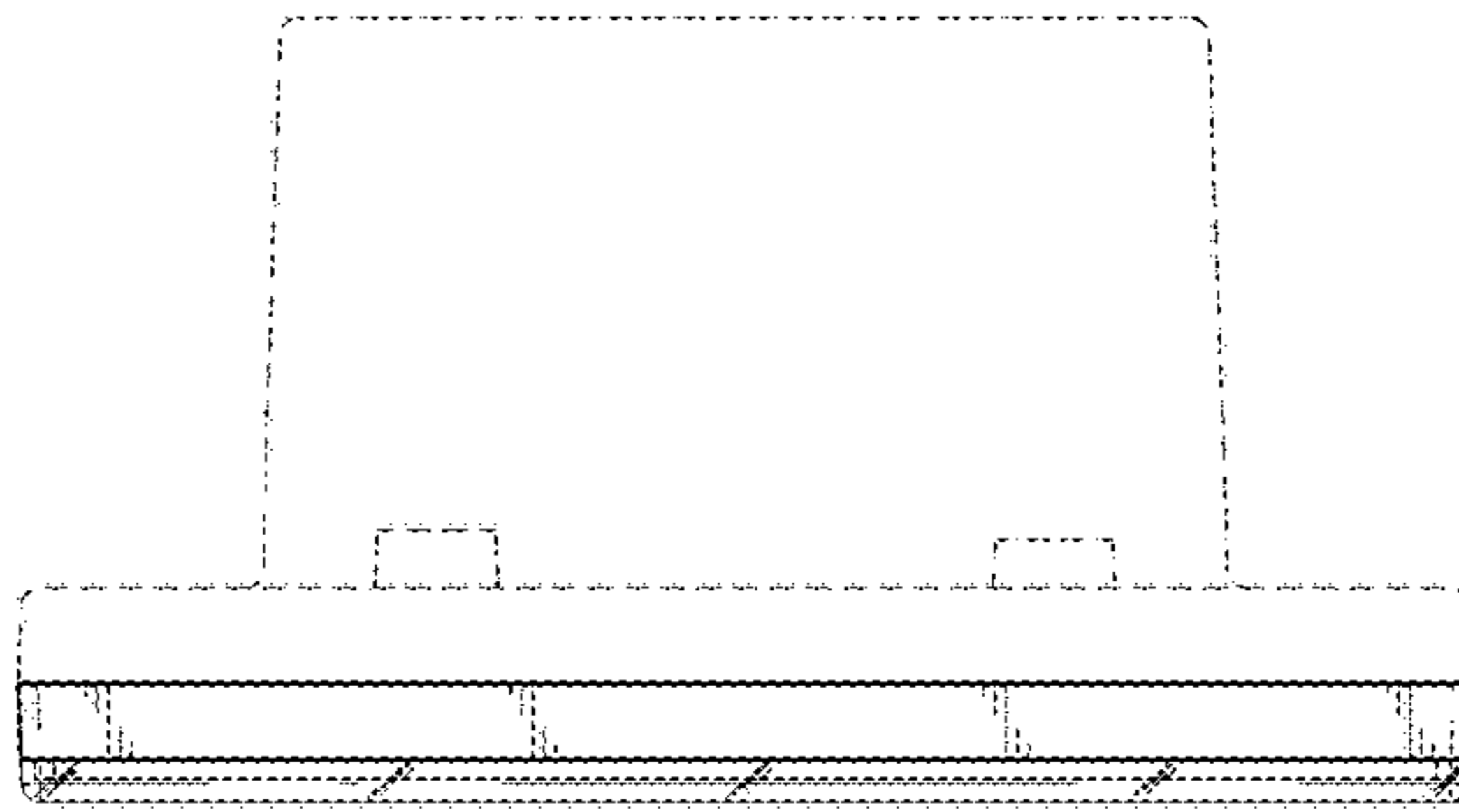


FIG. 7

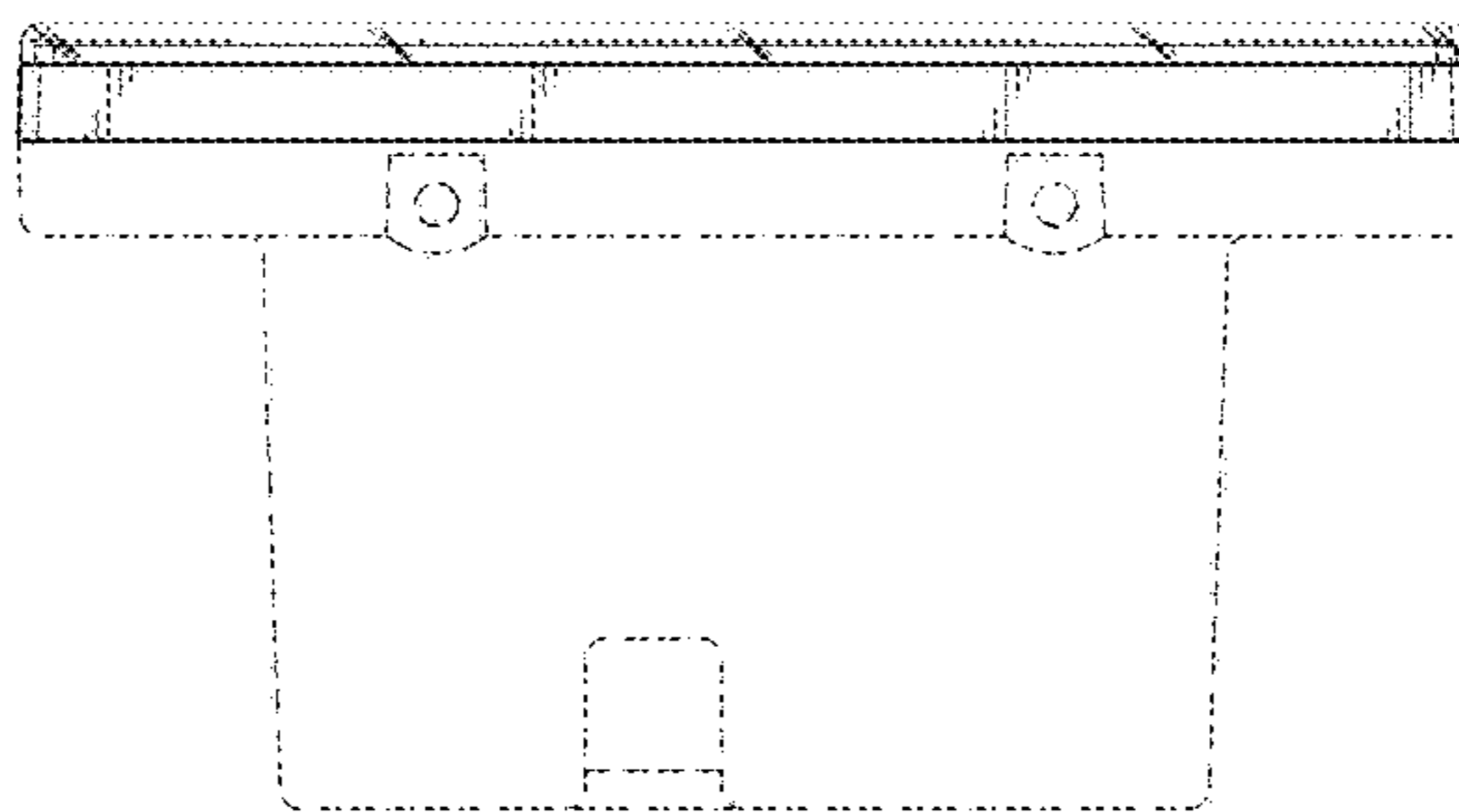


FIG. 8