



US00D840855S

(12) **United States Design Patent**  
**Goltche**

(10) **Patent No.:** **US D840,855 S**

(45) **Date of Patent:** **\*\* Feb. 19, 2019**

(54) **LIGHT BAR**

(71) Applicant: **Yehuda Goltche**, Great Neck, NY (US)

(72) Inventor: **Yehuda Goltche**, Great Neck, NY (US)

(\*\*) Term: **15 Years**

(21) Appl. No.: **29/586,637**

(22) Filed: **Dec. 6, 2016**

**Related U.S. Application Data**

(63) Continuation-in-part of application No. 29/579,125, filed on Sep. 28, 2016, now Pat. No. Des. 783,436, which is a continuation-in-part of application No. 29/559,208, filed on Mar. 25, 2016, now Pat. No. Des. 782,933.

(51) **LOC (11) Cl.** ..... **10-05**

(52) **U.S. Cl.**  
USPC ..... **D10/114.4**

(58) **Field of Classification Search**  
USPC ..... D26/72, 76, 80, 90, 107, 118, 120;  
D10/114.4

CPC ... F21S 2/005; F21S 4/28; F21S 10/06; F21V  
21/0832; Y10S 362/806; B60Q 1/52;  
B60Q 1/26; B60Q 1/2611  
See application file for complete search history.

(56) **References Cited**

**U.S. PATENT DOCUMENTS**

D476,253 S \* 6/2003 Stein ..... D10/114.4  
D602,391 S \* 10/2009 Stein ..... D10/114.4  
7,854,531 B1 \* 12/2010 Lyons ..... B60Q 1/2611  
362/217.01  
D632,199 S \* 2/2011 Jacobs ..... D10/114.4  
D658,526 S \* 5/2012 Shin ..... D10/114.4  
D682,135 S \* 5/2013 Grote, Jr. .... D10/114.4  
D700,098 S \* 2/2014 Deyaf ..... D10/114.4  
D722,718 S \* 2/2015 Chen ..... D26/72

D751,444 S \* 3/2016 Goltche ..... D10/114.4  
D751,445 S \* 3/2016 Goltche ..... D10/114.4  
D779,985 S \* 2/2017 Deyaf ..... D10/114.4  
D782,933 S \* 4/2017 Goltche ..... D10/114.4  
D783,436 S \* 4/2017 Goltche ..... D10/114.4  
D793,891 S \* 8/2017 Deyaf ..... D10/114.4  
D795,114 S \* 8/2017 Deyaf ..... D10/114.4  
2009/0116257 A1 \* 5/2009 Rosemeyer ..... B60Q 1/2611  
362/493  
2010/0085181 A1 \* 4/2010 Brooking ..... B60Q 1/2611  
340/468  
2011/0254424 A1 \* 10/2011 Kuo ..... B60Q 1/2611  
313/46  
2012/0099338 A1 \* 4/2012 Yu ..... B60Q 1/2611  
362/543

\* cited by examiner

*Primary Examiner* — Clare E Heflin

(74) *Attorney, Agent, or Firm* — Dunlap Bennett & Ludwig PLLC

(57) **CLAIM**

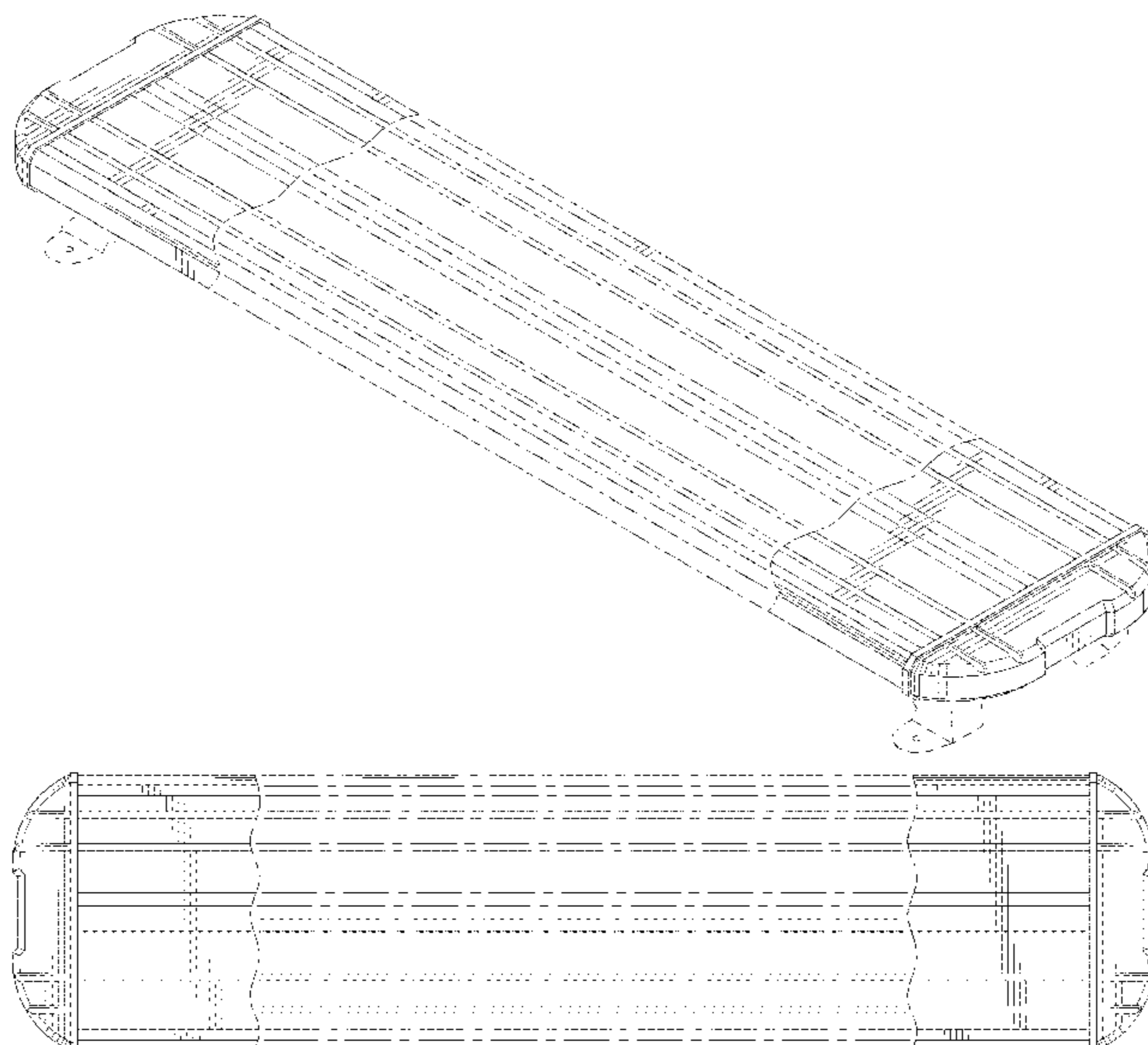
The ornamental design for a light bar, as shown and described.

**DESCRIPTION**

FIG. 1 is a top front perspective view of a light bar;  
FIG. 2 is a top plan view of FIG. 1;  
FIG. 3 is a bottom plan view of FIG. 1;  
FIG. 4 is a front elevation view of FIG. 1, the rear elevation being a mirror image thereof;  
FIG. 5 is a right side elevation view of FIG. 1, the left side elevation being a mirror image thereof; and,  
FIG. 6 is an enlarged partial section view of FIG. 4, taken along lines 6-6.

The broken lines shown in the drawings depict portions of the light bar that form no part of the claimed design. The light bar is shown with symbolic breaks in its lengths. The appearance of any portion of the article between the break lines forms no part of the claimed design.

**1 Claim, 3 Drawing Sheets**





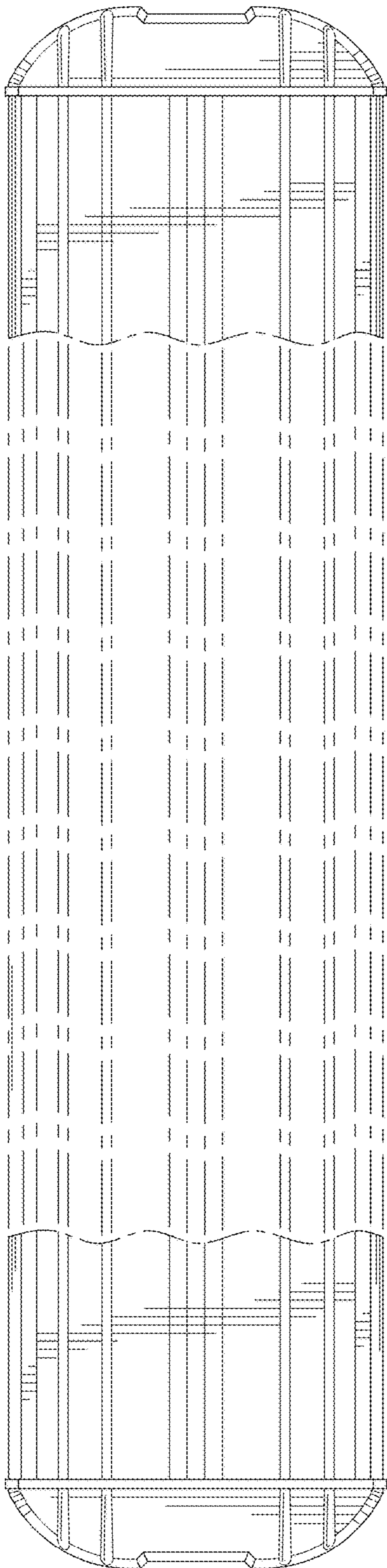


FIG. 2

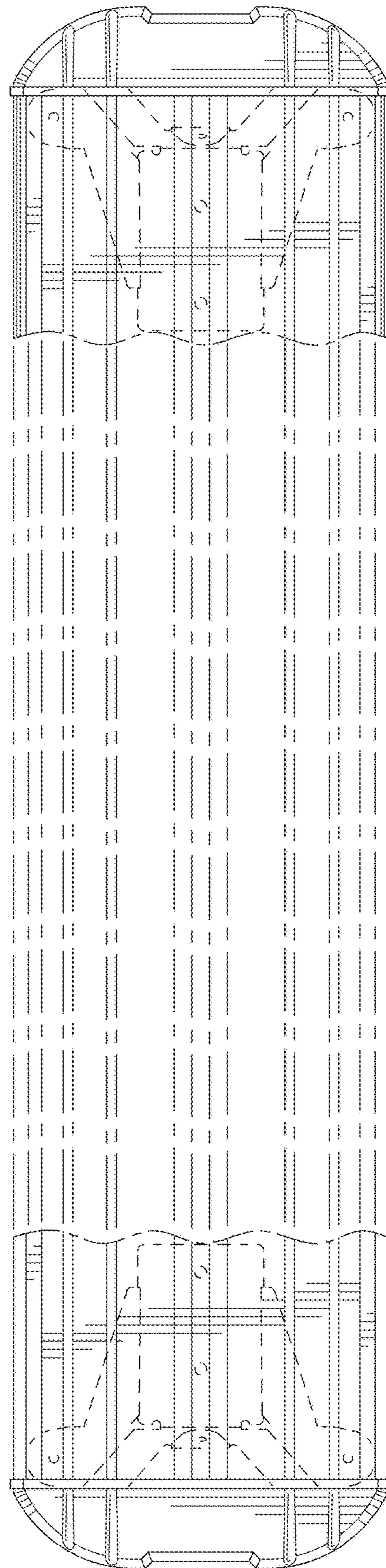


FIG. 3

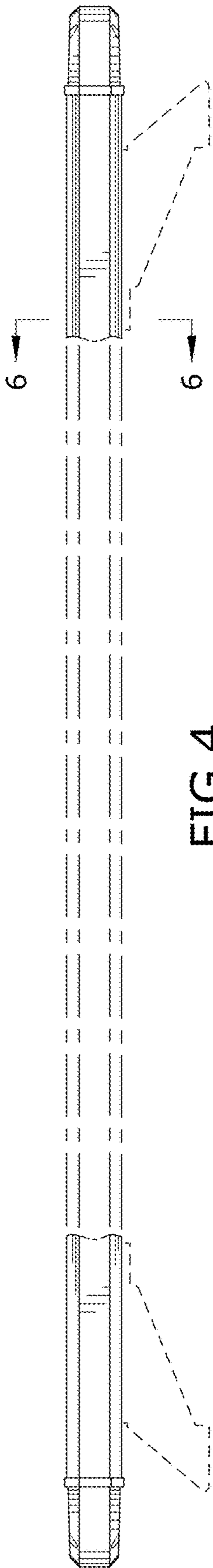


FIG. 4

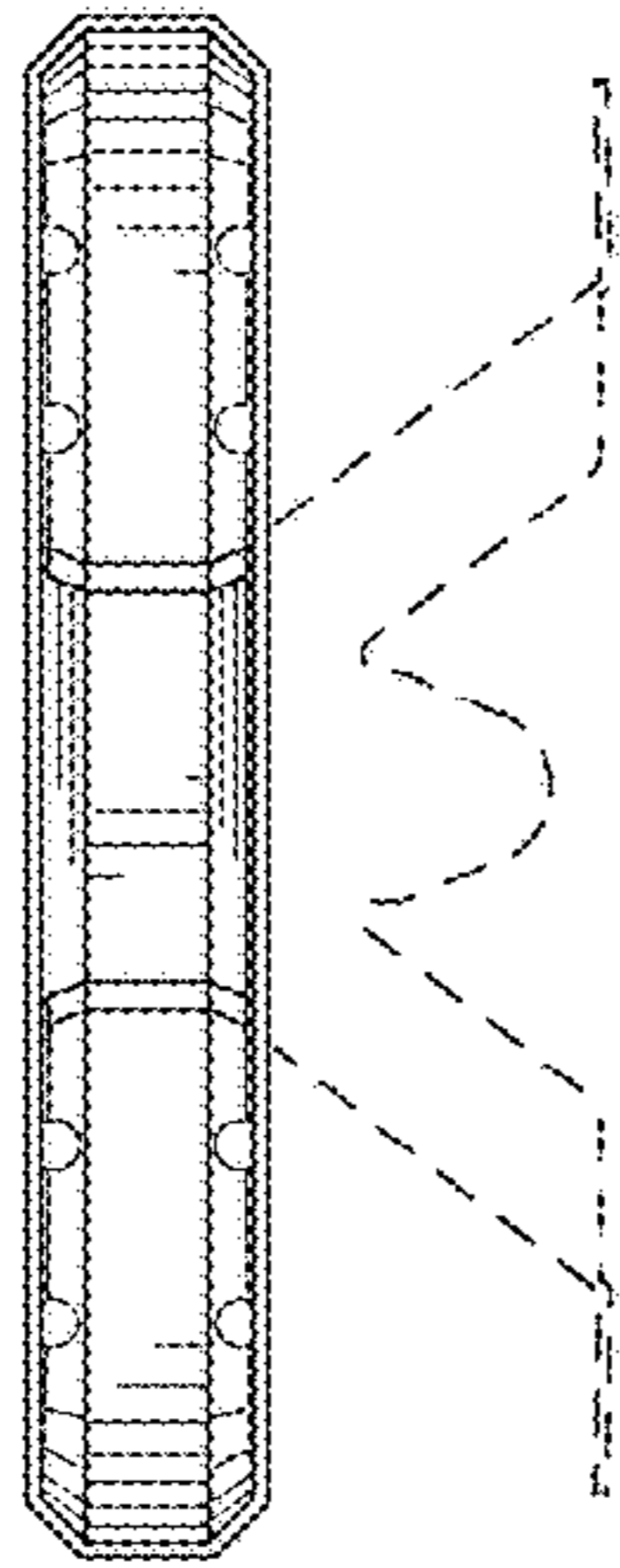


FIG. 5

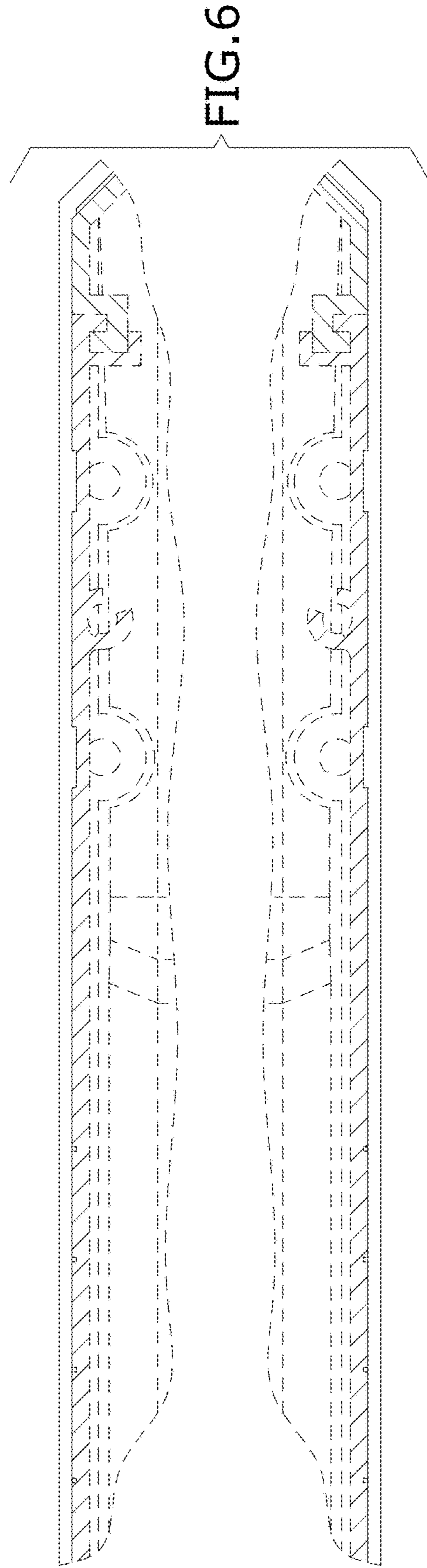


FIG. 6