



US00D840852S

(12) **United States Design Patent** (10) **Patent No.:** **US D840,852 S**
Morales Flores et al. (45) **Date of Patent:** **** Feb. 19, 2019**

(54) **ROADWAY BARRIER COVER**
(71) Applicant: **LINDSAY TRANSPORTATION SOLUTIONS, INC.**, Rio Vista, CA (US)
(72) Inventors: **Alvaro E. Morales Flores**, Vacaville, CA (US); **Jason T. Lim**, Stockton, CA (US); **Daniel Paul Dacayanan Loya**, Elk Grove, CA (US); **Christopher A. Sanders**, Moraga, CA (US); **Erik Weber**, Vacaville, CA (US); **Steve Johnson**, Pebble Bay Condo (SG)

D596,062 S * 7/2009 Yodock, III D10/113.3
7,950,871 B2 * 5/2011 Lass E01F 15/025
404/6
D680,892 S * 4/2013 Kulkarni D10/113.3
8,622,648 B2 * 1/2014 Mustafa B25B 5/101
404/6
D719,278 S * 12/2014 Reutherdal D25/38.1
9,073,474 B2 * 7/2015 Dyke B60P 3/40
D756,255 S * 5/2016 Hinebaugh D10/113.3
9,650,749 B1 * 5/2017 Maus E01F 15/00
10,030,344 B1 * 7/2018 Morales Flores E01F 7/06
2004/0197140 A1 * 10/2004 Maleska E01F 15/083
404/6
2009/0041540 A1 * 2/2009 Yodock, III E01F 15/086
404/6
2009/0047067 A1 * 2/2009 Hannah E01F 9/588
404/9

(73) Assignee: **Lindsay Transportation Solutions, Inc.**, Rio Vista, CA (US)

(**) Term: **15 Years**

(21) Appl. No.: **29/625,937**

(22) Filed: **Nov. 14, 2017**

(51) **LOC (11) Cl.** **10-05**

(52) **U.S. Cl.**
USPC **D10/113.3**

(58) **Field of Classification Search**
USPC D10/113.1-113.3; D25/38, 38.1
CPC E01F 15/00; E01F 15/025; E01F 15/06;
E01F 15/068; E01F 15/08; E01F 15/088
See application file for complete search history.

(56) **References Cited**

U.S. PATENT DOCUMENTS

D425,440 S * 5/2000 Franklin D10/113.3
D431,657 S * 10/2000 Wasserstrom D25/113
6,669,402 B1 * 12/2003 Davis E01F 15/086
256/13.1
D497,823 S * 11/2004 Brown D10/113.3
D569,992 S * 5/2008 Christensen D25/38.1
7,393,154 B1 * 7/2008 Dyke E01F 15/085
256/13.1

(Continued)

Primary Examiner — Sandra S Snapp
Assistant Examiner — Katherine Glennon
(74) *Attorney, Agent, or Firm* — Thomas R. Lampe

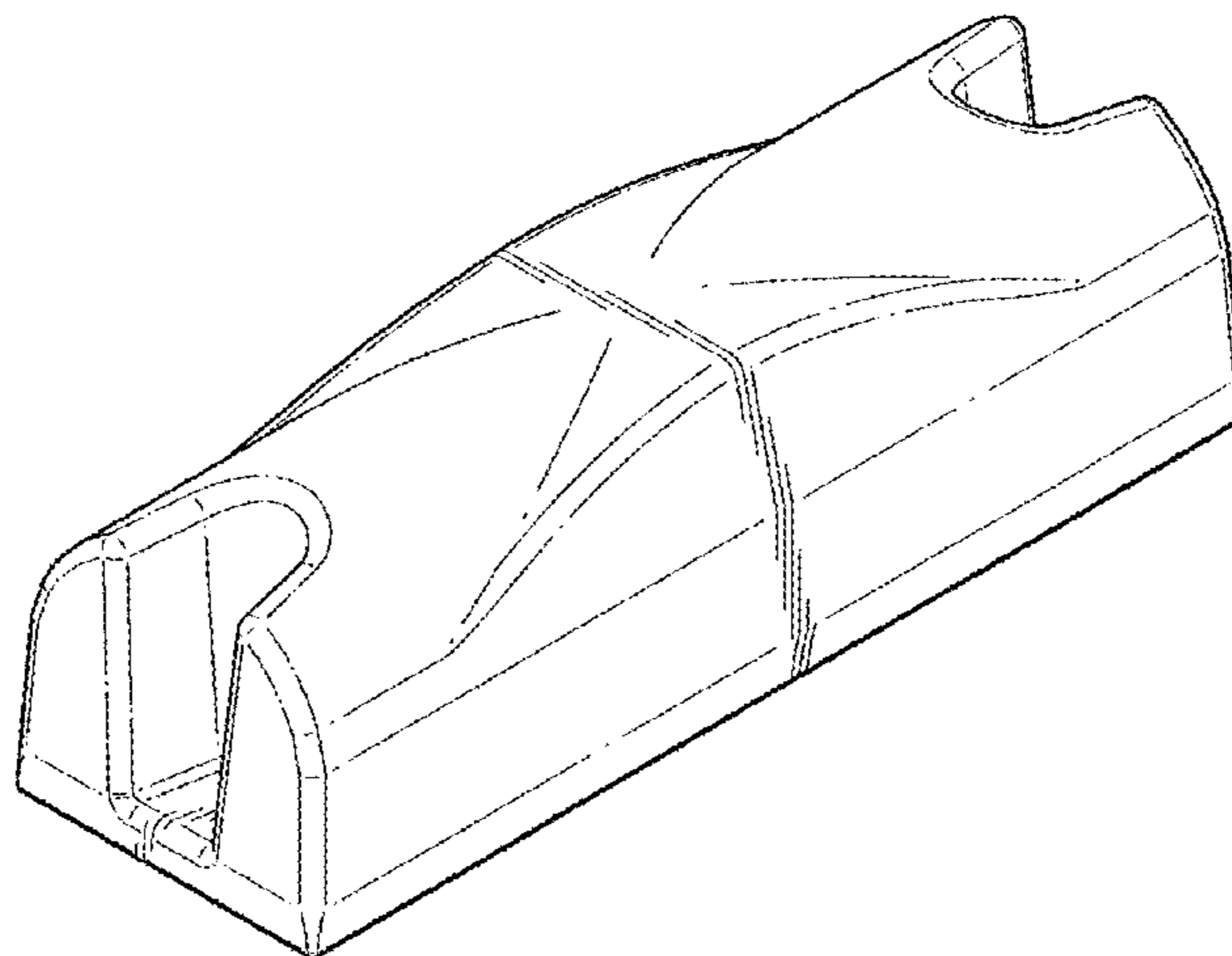
(57) **CLAIM**

The ornamental design for roadway barrier cover, as shown and described.

DESCRIPTION

FIG. 1 is a perspective view of roadway barrier cover showing our new design;
FIG. 2 is a right side elevation view thereof, the left side elevation view thereof being a mirror image;
FIG. 3 is a front elevation view thereof, the rear elevation view thereof being a mirror image;
FIG. 4 is a top plan view thereof; and,
FIG. 5 is a bottom plan view thereof.
The broken line showings of round holes in FIGS. 4 and 5 and the rectangular shaped indent in FIG. 5 of the drawings represent features used when connecting the roadway barrier cover to a roadway barrier. The broken lines form no part of the claimed design.

1 Claim, 3 Drawing Sheets



(56)

References Cited

U.S. PATENT DOCUMENTS

2013/0189030	A1 *	7/2013	Miracle	E01F 13/048
				404/6
2014/0270937	A1 *	9/2014	Kulkarni	E01F 15/083
				404/6
2014/0308072	A1 *	10/2014	Sagy	E01F 15/025
				404/6
2014/0334875	A1 *	11/2014	Hoffman	E01F 15/083
				404/6
2015/0218763	A1 *	8/2015	Smith	E01F 15/083
				404/6

* cited by examiner

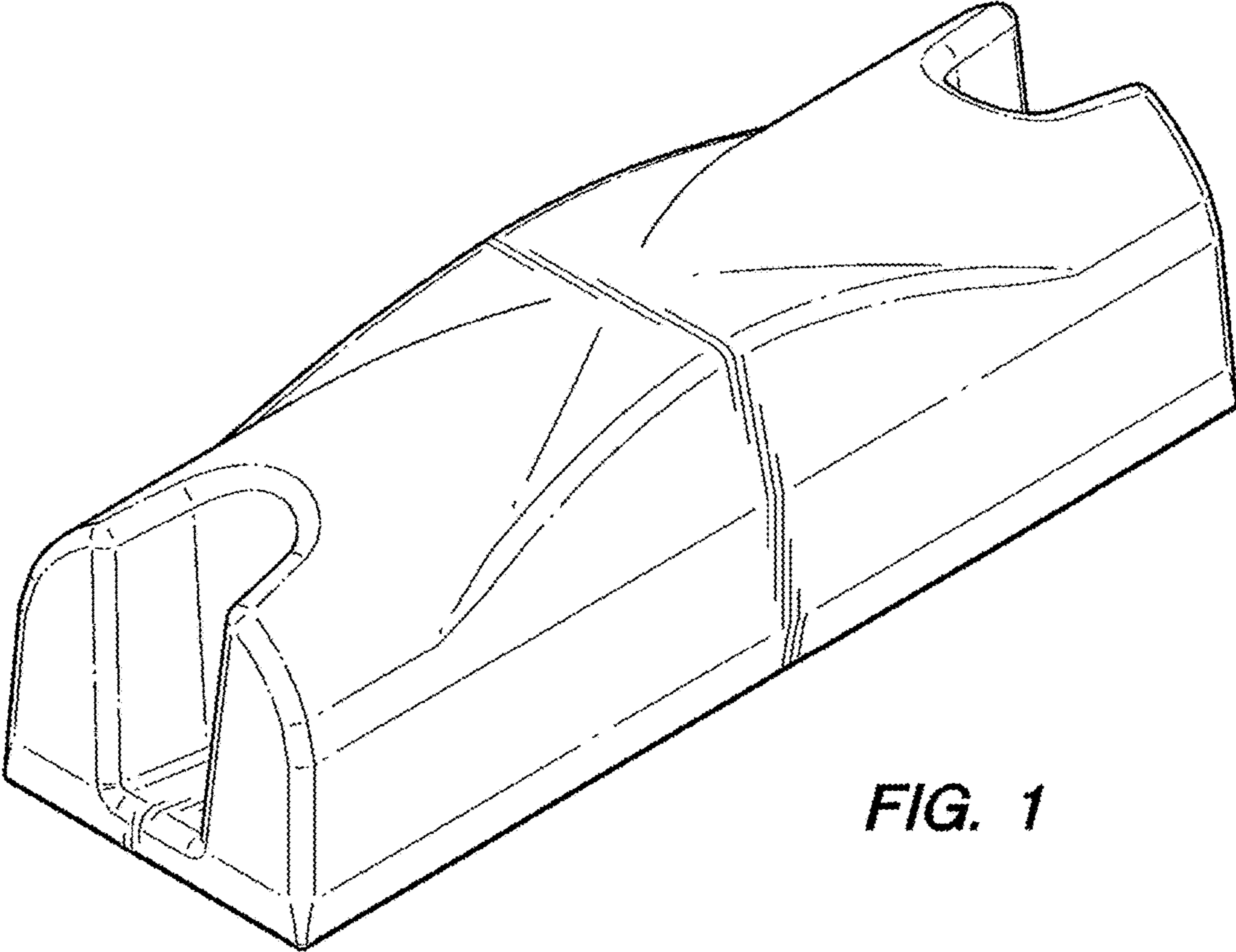


FIG. 1

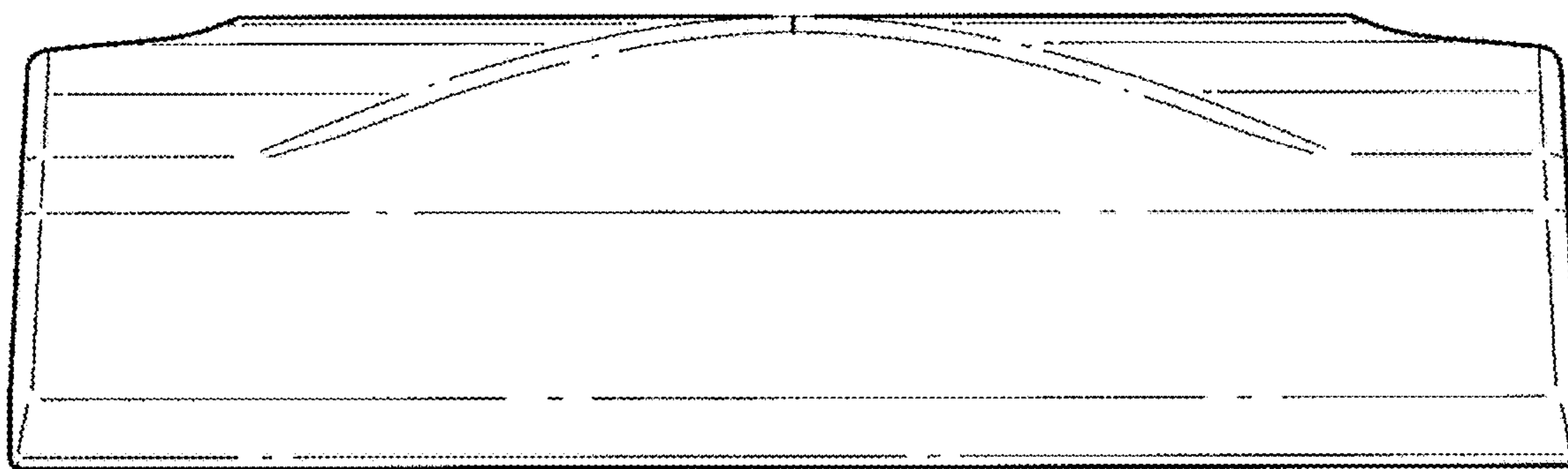


FIG. 2

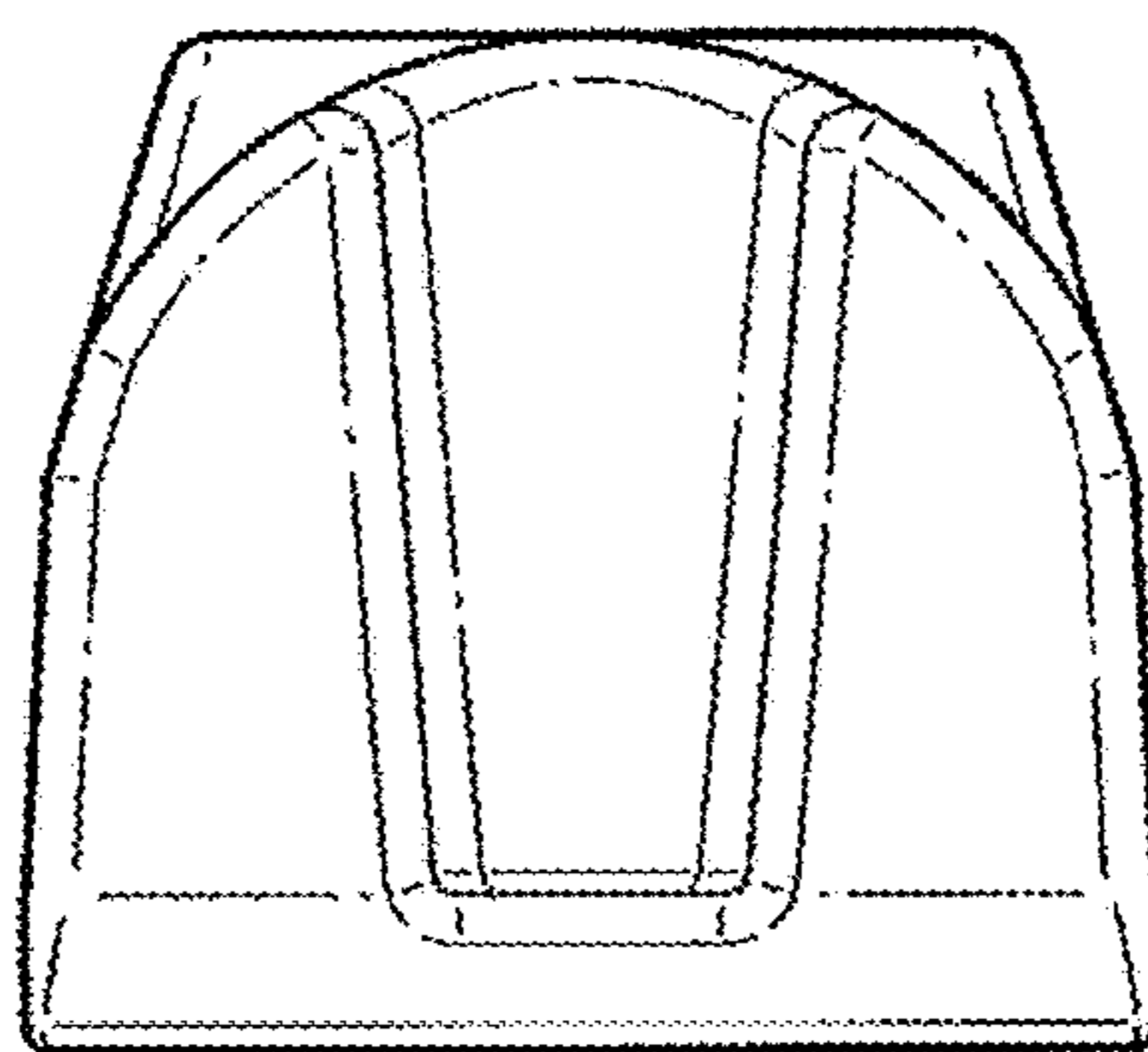


FIG. 3

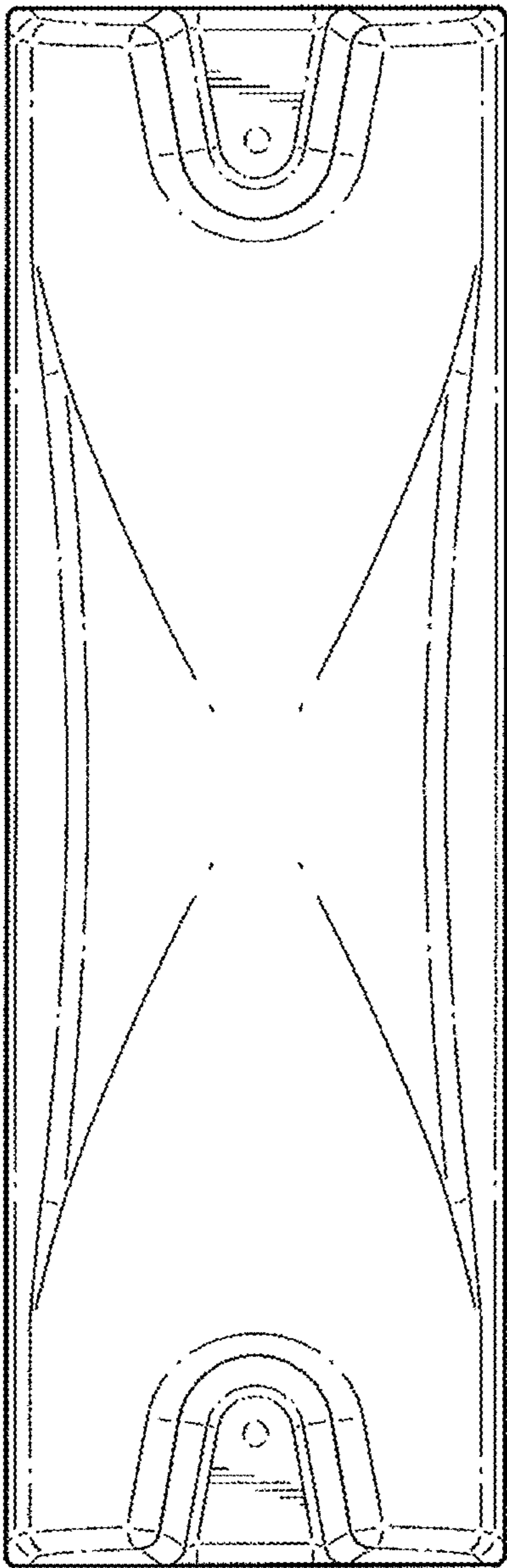


FIG. 4

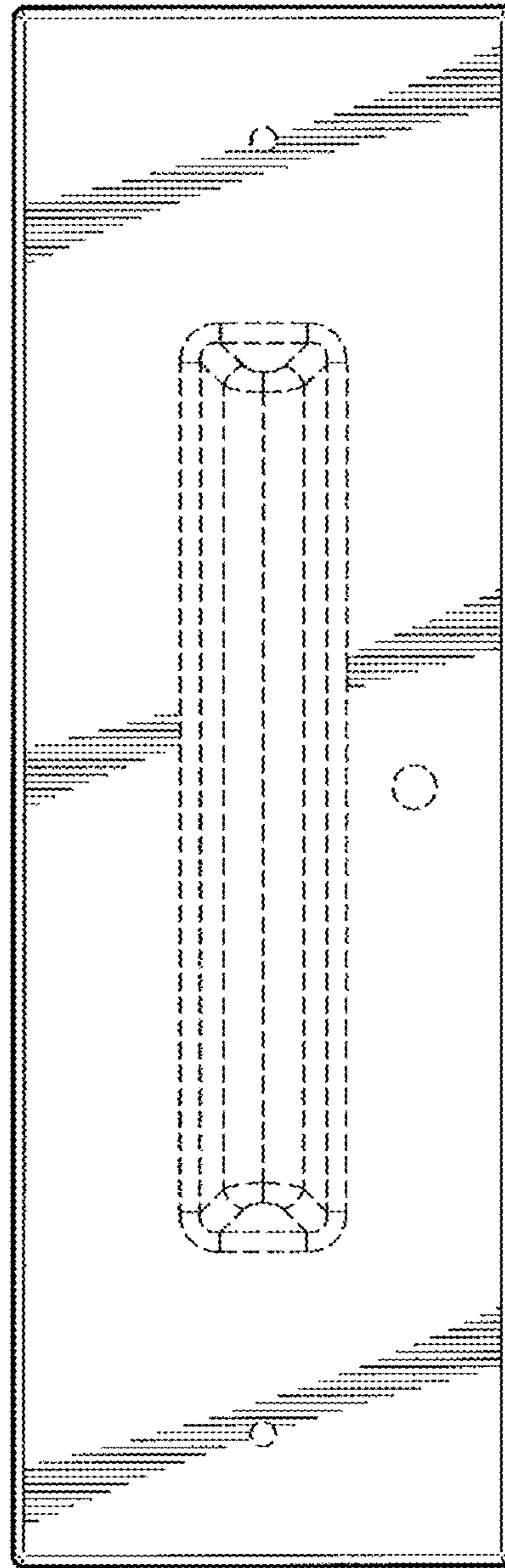


FIG. 5