



US00D840850S

(12) **United States Design Patent**  
**Liu**

(10) **Patent No.:** **US D840,850 S**

(45) **Date of Patent:** **\*\* Feb. 19, 2019**

(54) **WIRELESS DIGITAL POWER METER**

(71) Applicant: **DELTA ELECTRONICS, INC.**,  
Taoyuan (TW)

(72) Inventor: **Shou-Chiang Liu**, Taoyuan (TW)

(73) Assignee: **DELTA ELECTRONICS, INC.**,  
Taoyuan (TW)

(\*\*) Term: **15 Years**

(21) Appl. No.: **29/618,623**

(22) Filed: **Sep. 22, 2017**

(51) **LOC (11) Cl.** ..... **10-04**

(52) **U.S. Cl.**  
USPC ..... **D10/100; D10/99**

(58) **Field of Classification Search**  
USPC ..... D10/99, 100  
CPC ..... G01R 22/00; G01R 22/06; G01R 22/061;  
G01R 22/08; G01R 22/10; G01R 22/065;  
G01R 21/00; G01R 21/06; G01R 21/133;  
G01R 21/1331; G01R 21/1333; G01R  
21/1335; G01R 21/1336; G01R 21/1338;  
G01R 21/065; G06F 17/40; G06F 19/00;  
G01D 4/006; G01D 11/245; G06Q 50/06;  
F25D 29/00; F25D 21/08; F25B 2600/23;  
H02J 3/04; H02J 13/0086; H02J 13/0062;  
H02J 2003/146; Y02B 70/3225; Y02B  
70/3216

See application file for complete search history.

(56) **References Cited**

**U.S. PATENT DOCUMENTS**

D435,471 S \* 12/2000 Simbeck ..... D10/99  
D439,535 S \* 3/2001 Cowan ..... D10/99

D642,083 S \* 7/2011 Blanc ..... D10/100  
D703,078 S \* 4/2014 Hong ..... D10/100  
D813,699 S \* 3/2018 Park ..... D10/100

\* cited by examiner

*Primary Examiner* — Antoine Duval Davis

(74) *Attorney, Agent, or Firm* — Kirton McConkie; Evan  
R. Witt

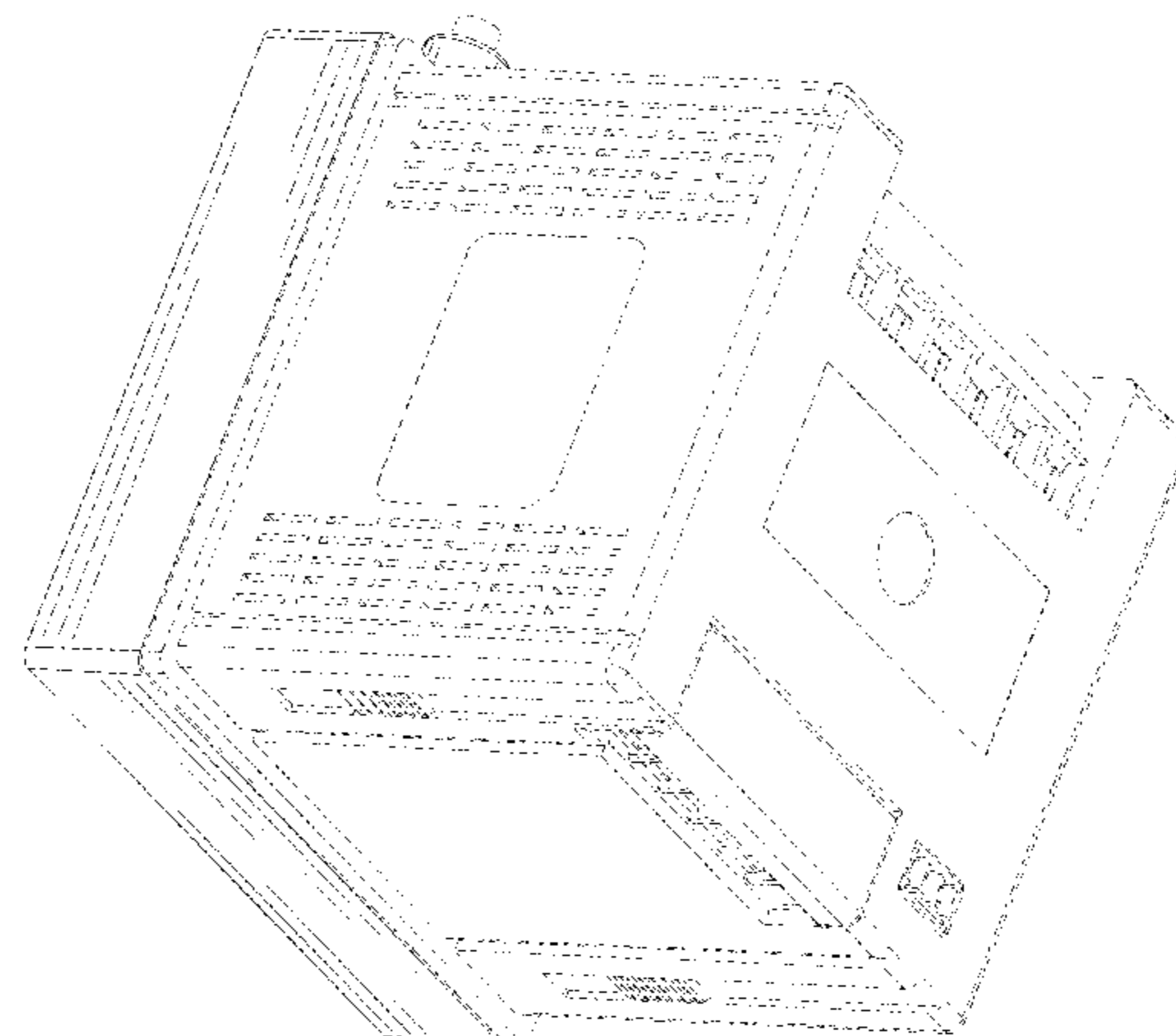
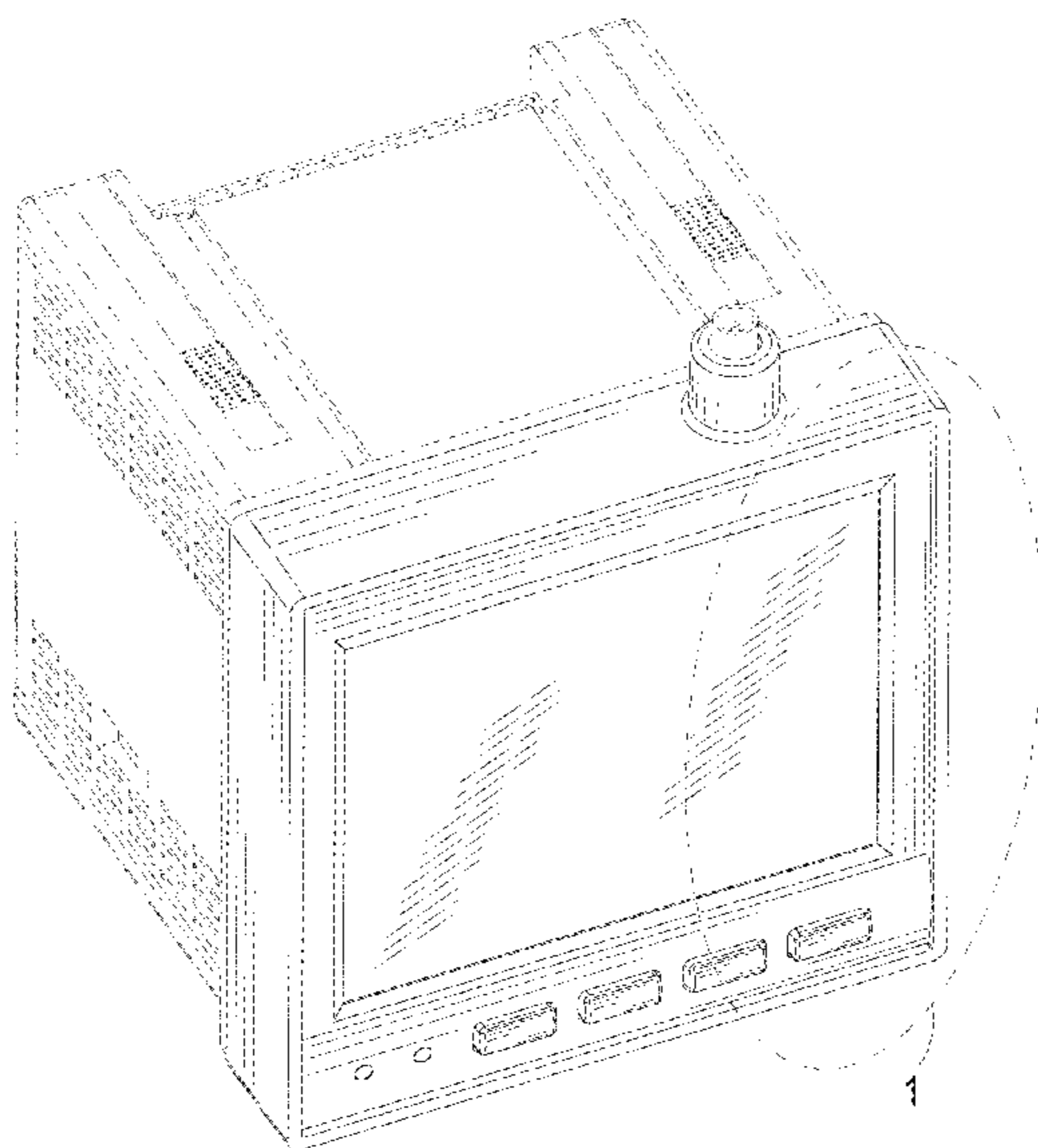
(57) **CLAIM**

The ornamental design for a wireless digital power meter, as  
shown and described.

**DESCRIPTION**

FIG. 1 is a perspective view of a wireless digital power  
meter showing my new design.  
FIG. 2 is another perspective view thereof;  
FIG. 3 is a front elevation view thereof;  
FIG. 4 is a rear elevation view thereof;  
FIG. 5 is a left side elevation view thereof;  
FIG. 6 is a right side elevation view thereof;  
FIG. 7 is a top plan view thereof;  
FIG. 8 is a bottom plan view thereof;  
FIG. 9 is an enlarged fragmentary view of the wireless  
digital power meter as identified in portion 1 of FIG. 1; and,  
FIG. 10 is an additional perspective view of the wireless  
digital power meter.  
The broken lines are for the purpose of illustrating portions  
of the wireless digital power meter and form no part of the  
claimed design.

**1 Claim, 10 Drawing Sheets**



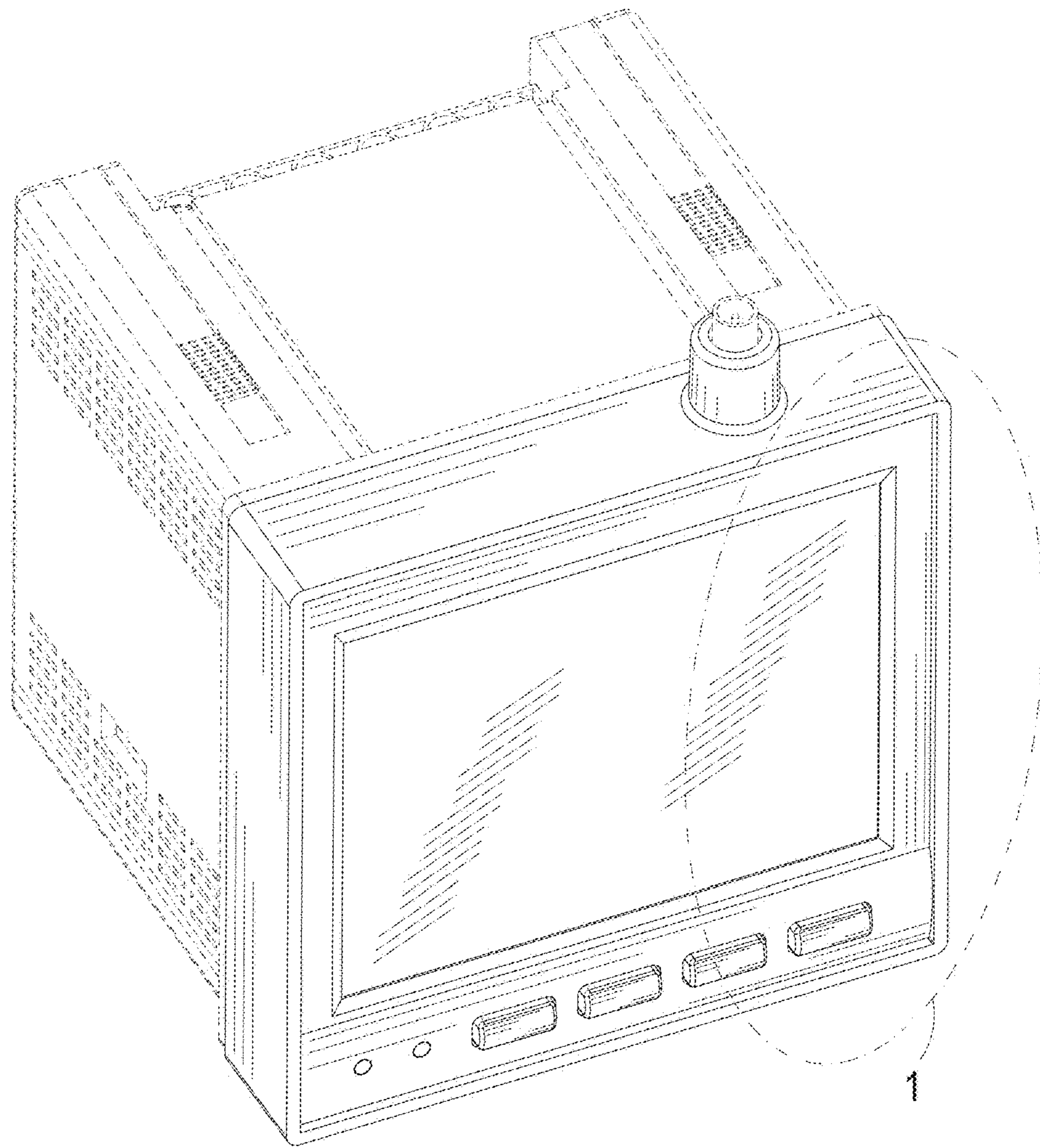


FIG. 1

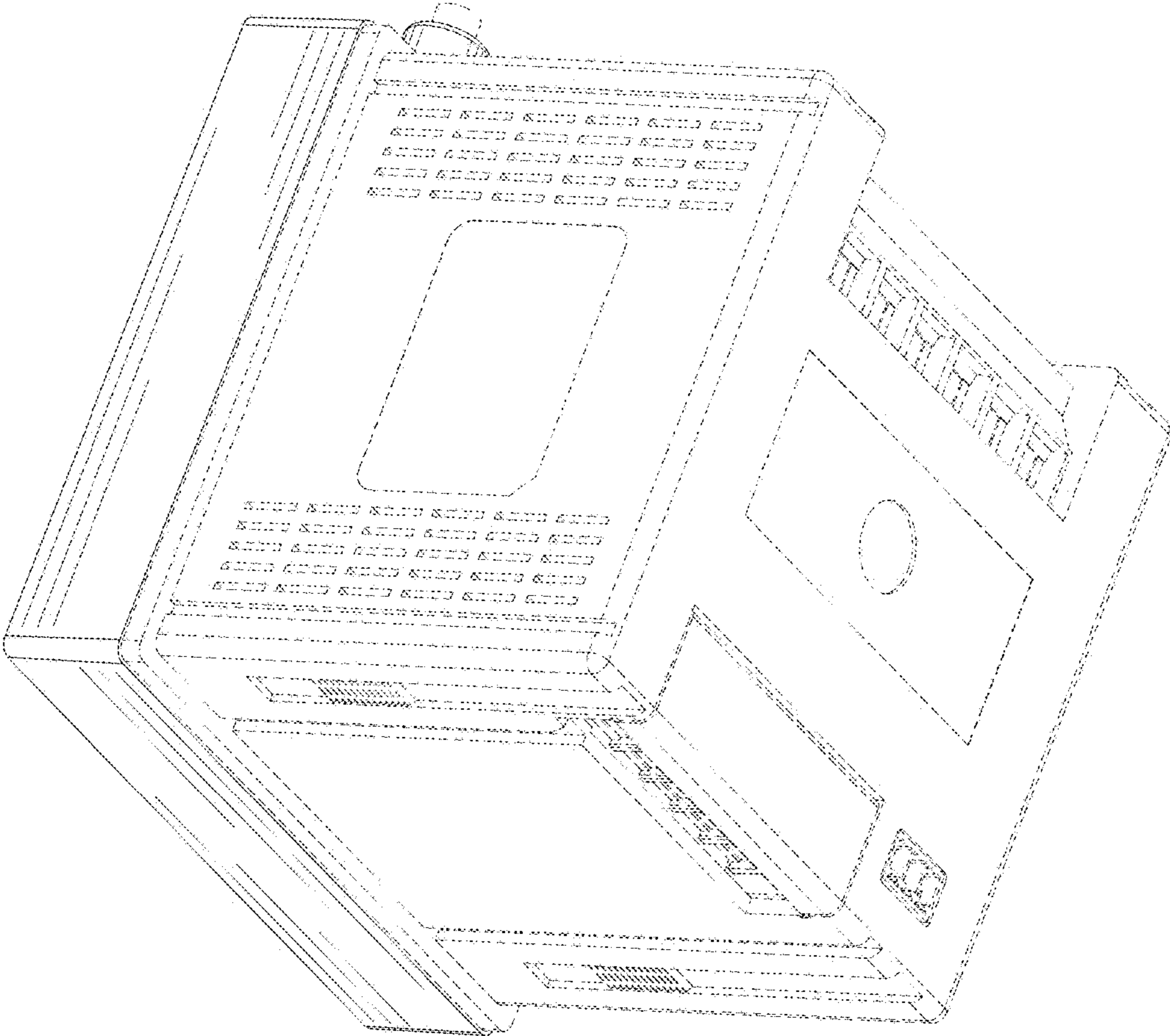


FIG. 2

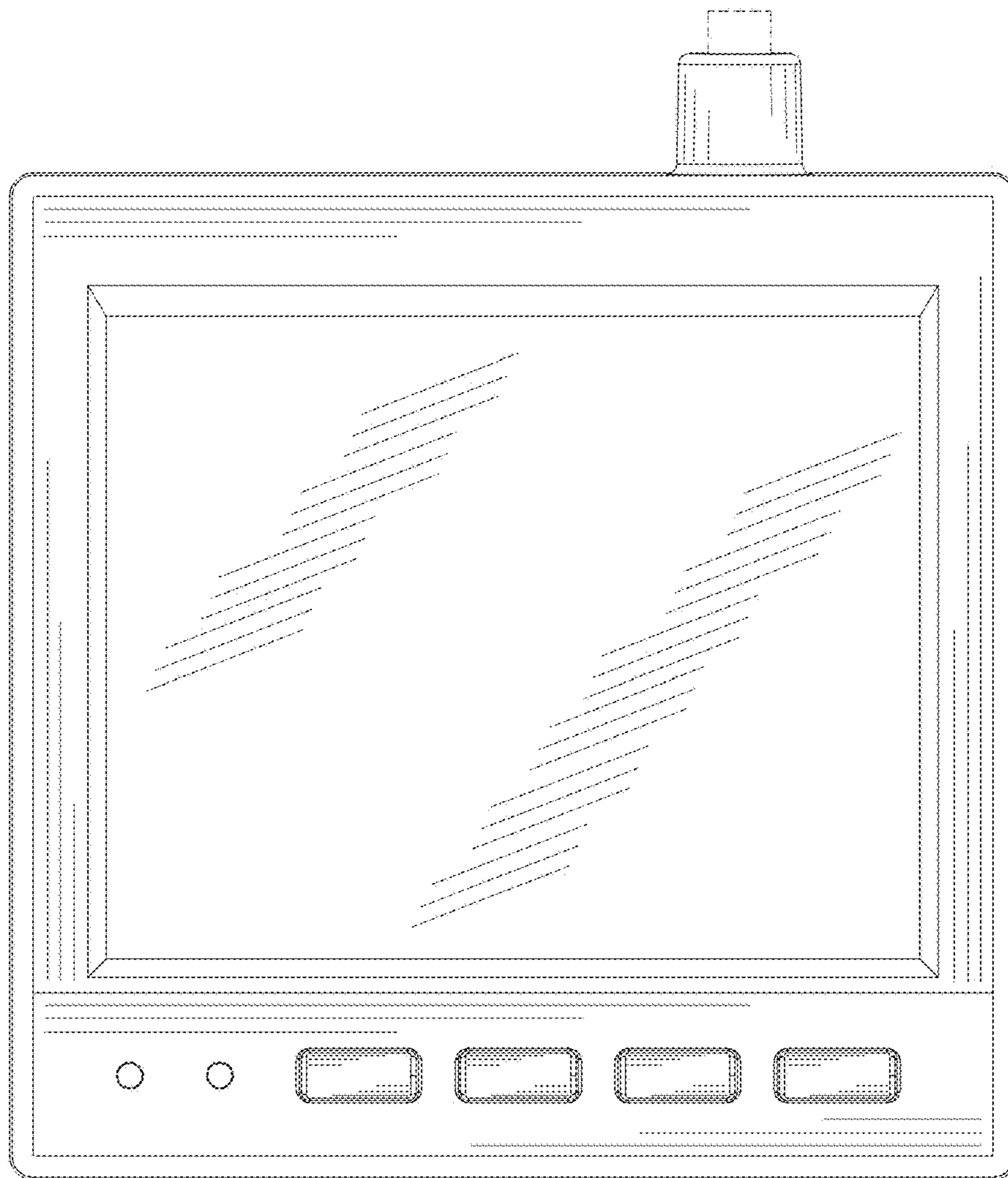


FIG. 3

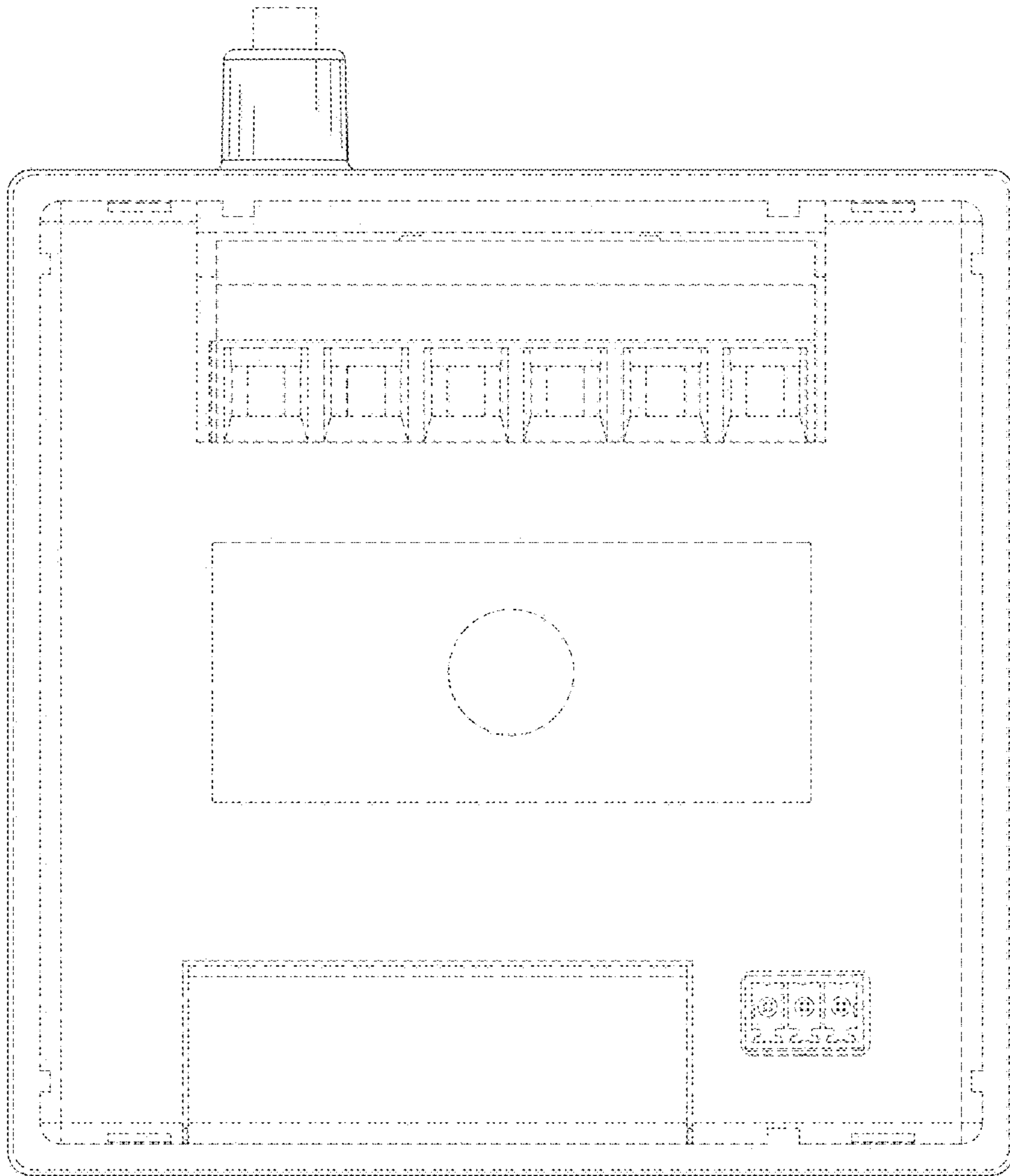


FIG. 4

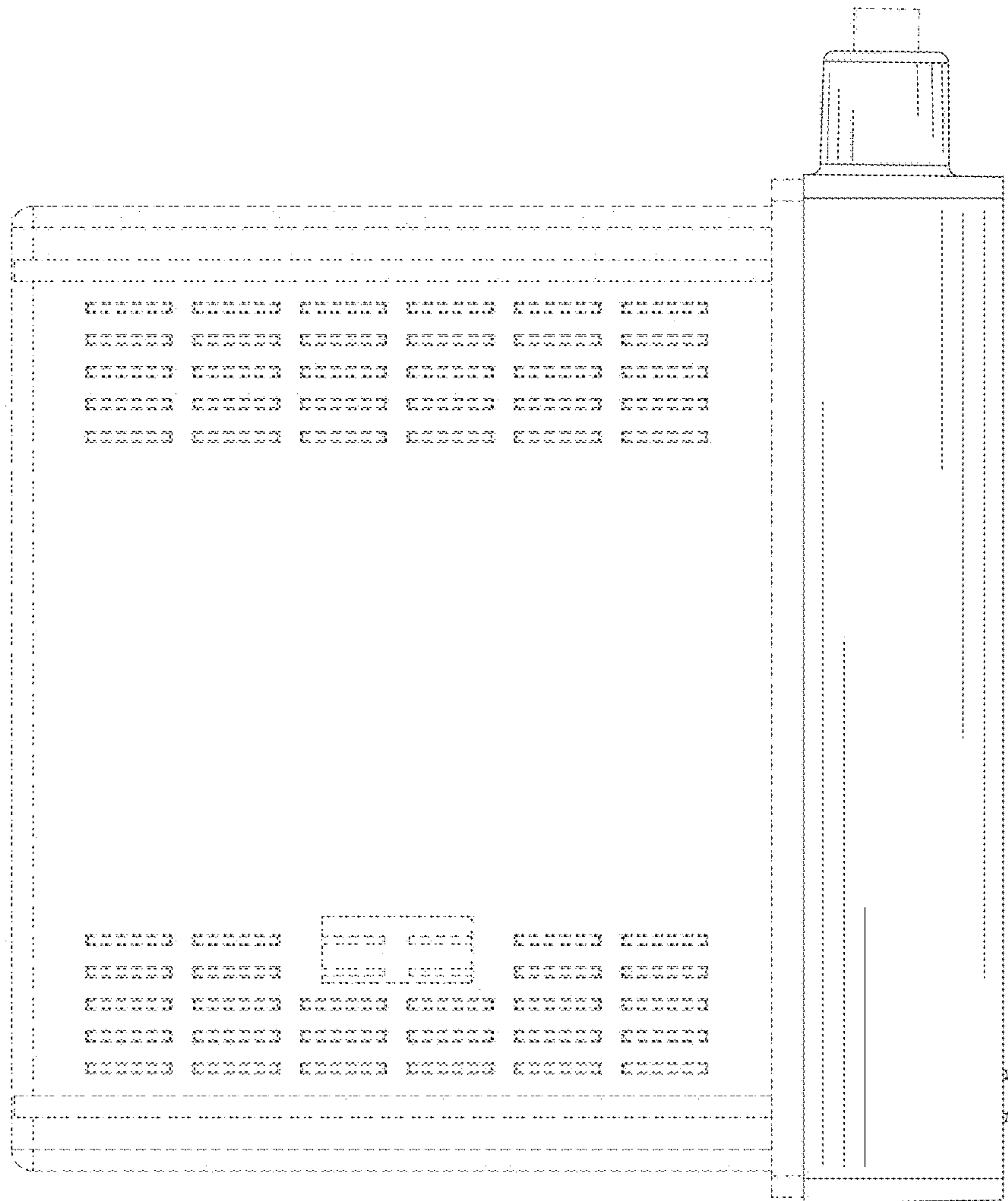


FIG. 5

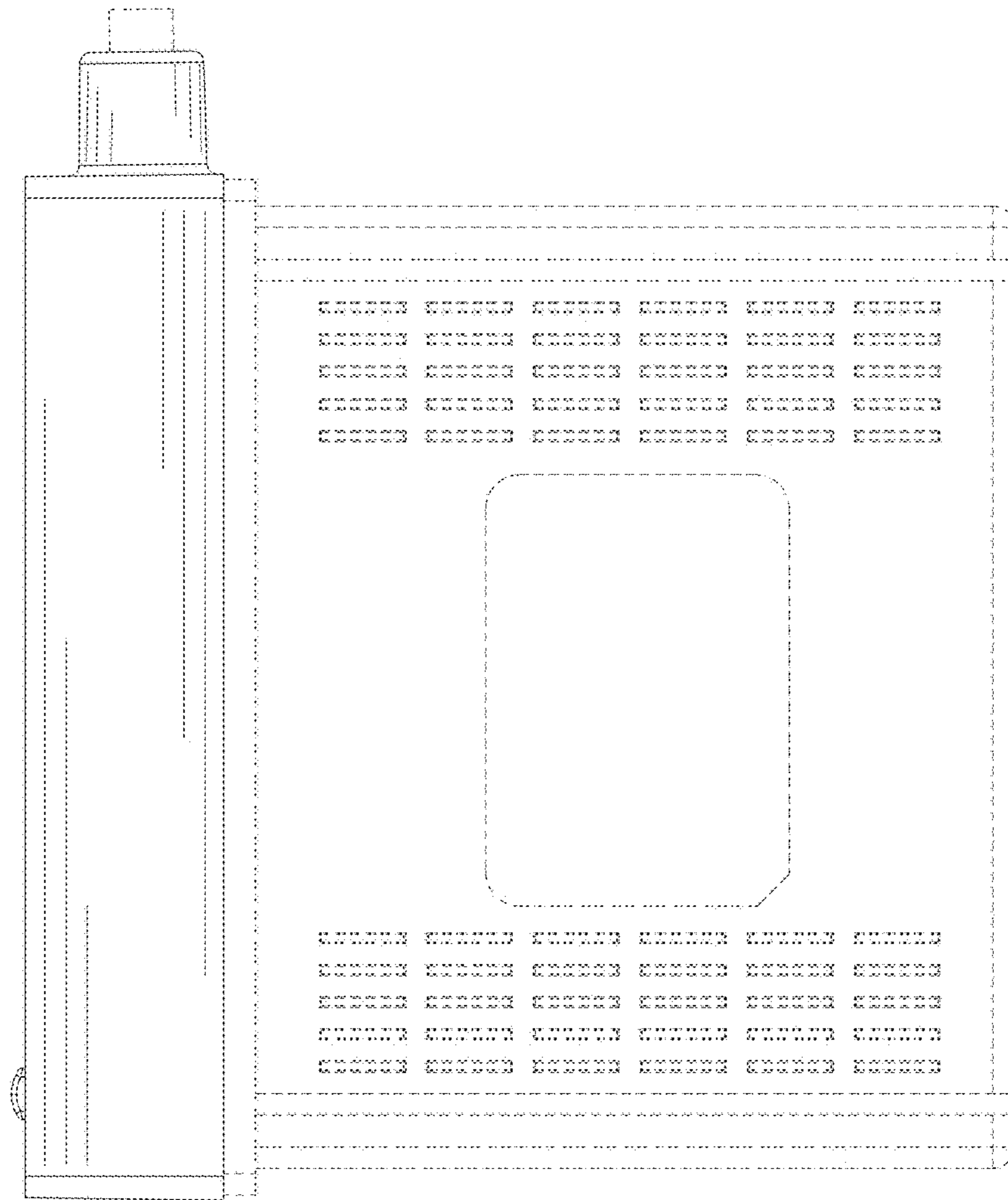


FIG. 6

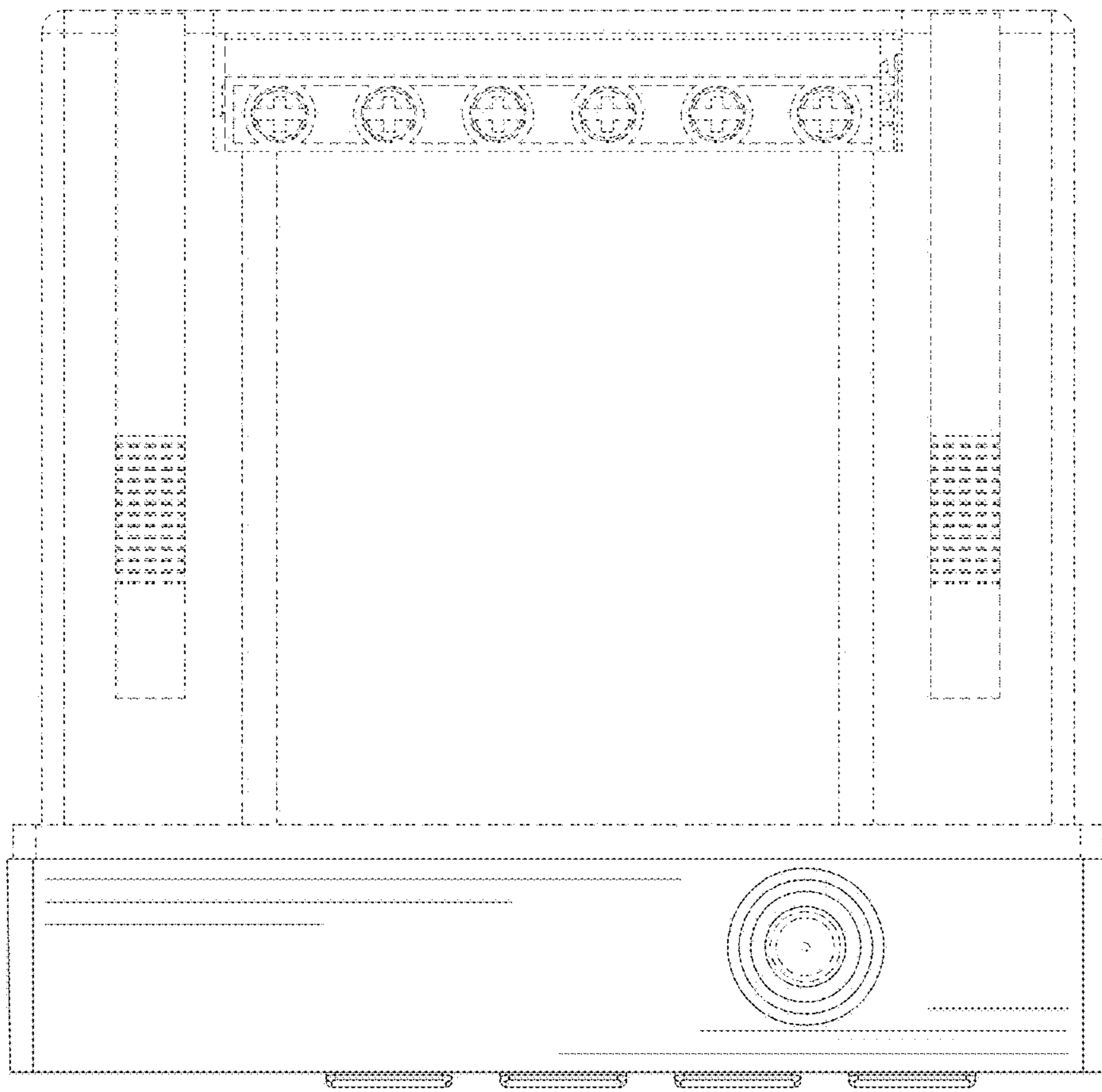


FIG. 7



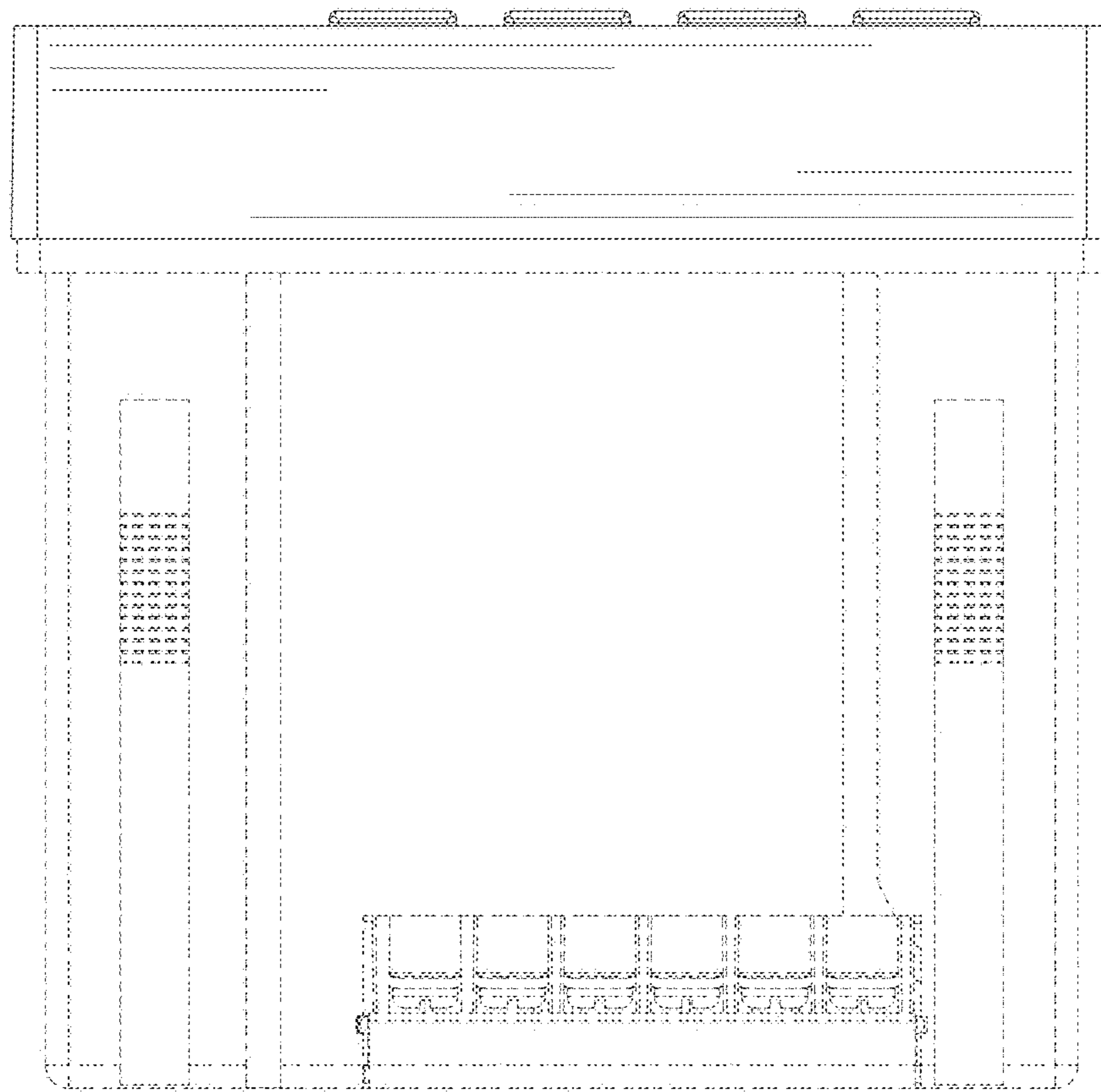


FIG. 8

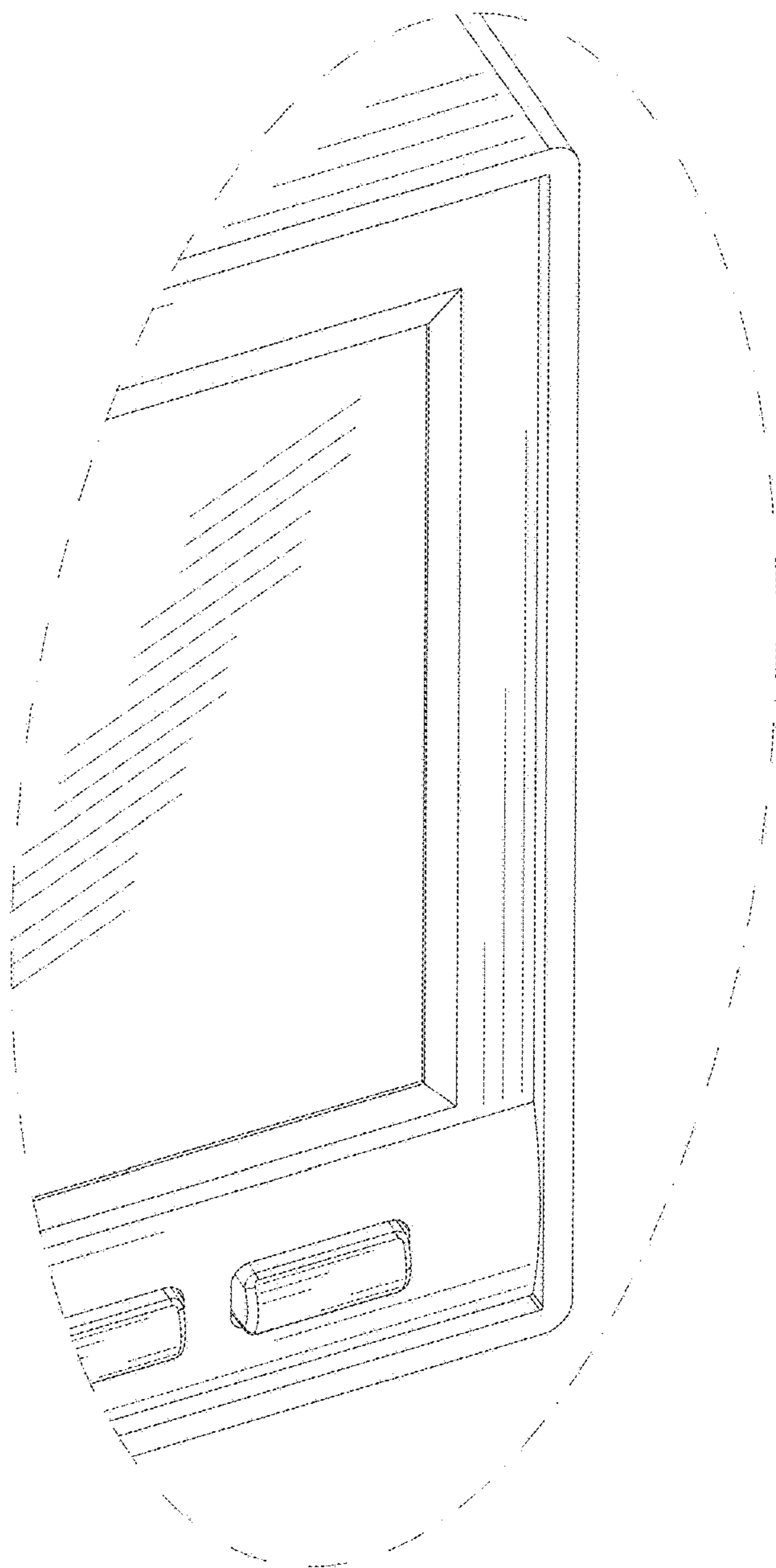


FIG. 9

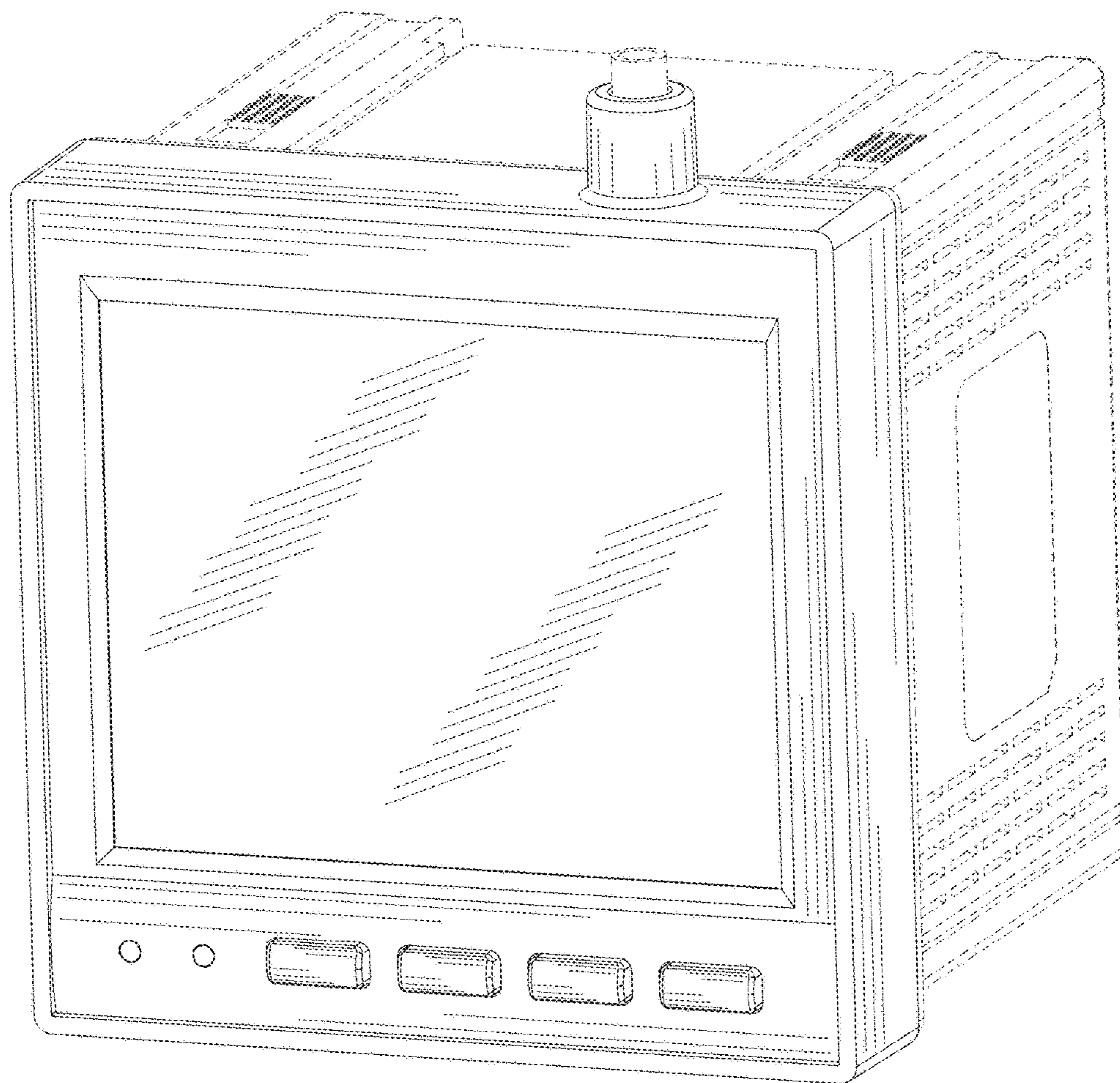


FIG. 10