



US00D840849S

(12) **United States Design Patent**  
**Wang**

(10) **Patent No.:** **US D840,849 S**

(45) **Date of Patent:** **\*\* Feb. 19, 2019**

(54) **AUTO DIAGNOSTIC TOOL**

(71) Applicant: **Yushan Wang**, Guangdong (CN)

(72) Inventor: **Yushan Wang**, Guangdong (CN)

(\*\*) Term: **15 Years**

(21) Appl. No.: **29/631,616**

(22) Filed: **Dec. 30, 2017**

(51) **LOC (11) Cl.** ..... **10-04**

(52) **U.S. Cl.**

USPC ..... **D10/78**

(58) **Field of Classification Search**

USPC ..... D10/78

CPC ..... G01L 19/08; G01L 19/083; G01L 19/086;  
G01L 19/10; G01L 19/12; G01L 19/14;  
G01L 19/141; G01L 19/142; G01L  
19/143; G01L 19/144; G01L 19/45; G01L  
19/146; G01L 19/147; G01L 19/148;  
G01L 19/149; G01L 19/16; G07C 5/00;  
G07C 5/002; G07C 5/004; G07C 5/006;  
G07C 5/008; G07C 5/02; G07C 5/04;  
G07C 5/06; G07C 5/08; G07C 5/0808;  
G07C 5/0816; G07C 5/0825; G07C  
5/0833; G07C 5/0841; G07C 5/085;  
G07C 5/0858; G07C 5/0866; G07C  
5/0875; G07C 5/0883; G07C 5/0891;  
G07C 5/10

See application file for complete search history.

(56) **References Cited**

U.S. PATENT DOCUMENTS

D403,974 S \* 1/1999 Hsu ..... D10/78  
6,693,367 B1 \* 2/2004 Schmeisser ..... G01M 15/05  
307/9.1

D579,361 S \* 10/2008 Wen ..... D10/78  
7,859,853 B2 \* 12/2010 Schmeisser ..... G06F 1/1626  
361/752  
7,920,837 B2 \* 4/2011 Rofougaran ..... H04B 1/28  
455/130  
8,339,254 B2 \* 12/2012 Drew ..... B60K 35/00  
340/438  
9,553,471 B2 \* 1/2017 Chinnadurai ..... B25H 3/00

\* cited by examiner

*Primary Examiner* — Antoine Duval Davis

(74) *Attorney, Agent, or Firm* — Chun-Ming Shih

(57) **CLAIM**

The ornamental design for an auto diagnostic tool, as shown and described.

**DESCRIPTION**

FIG. 1 is a perspective view of an auto diagnostic tool showing the new design;

FIG. 2 is a front view thereof;

FIG. 3 is a rear side elevational view thereof;

FIG. 4 is a left side elevational view thereof;

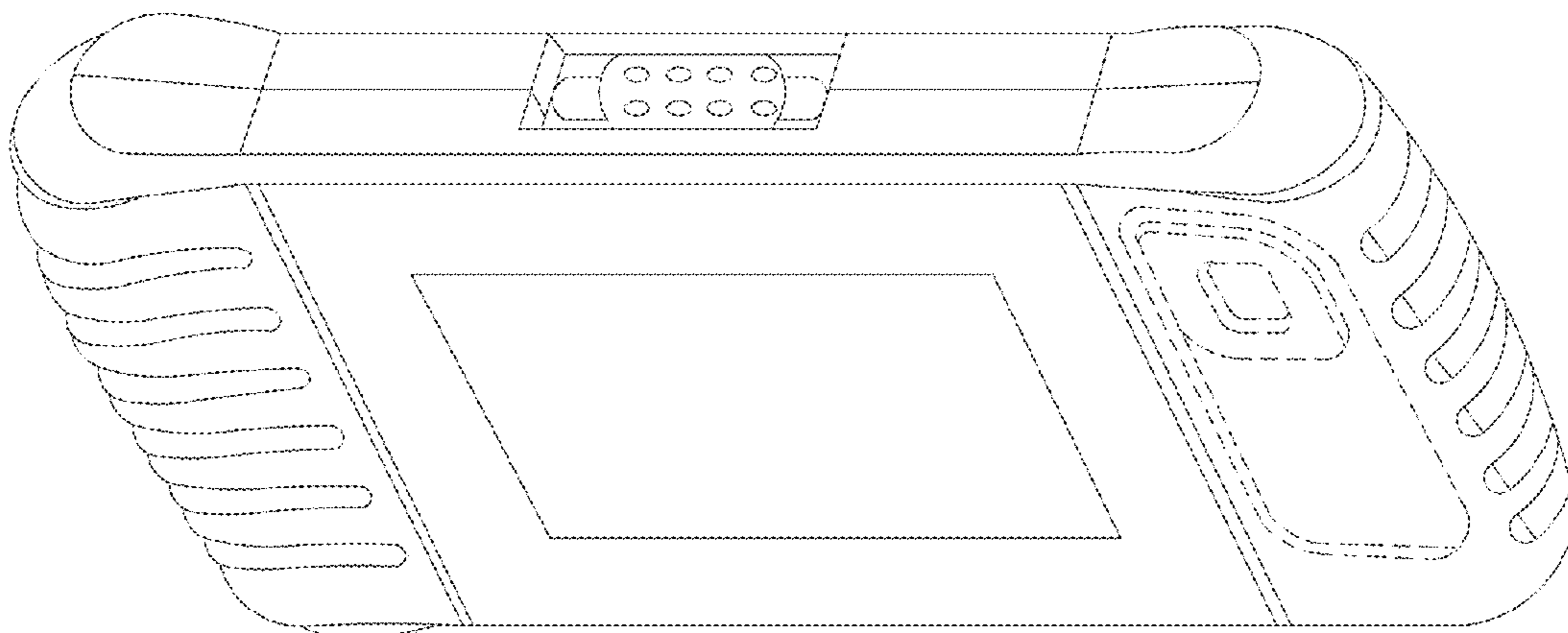
FIG. 5 is a right view thereof;

FIG. 6 is a top view thereof; and,

FIG. 7 is a bottom view thereof.

The broken lines in the drawings depict environmental subject matter only and form no part of the claimed design.

**1 Claim, 6 Drawing Sheets**



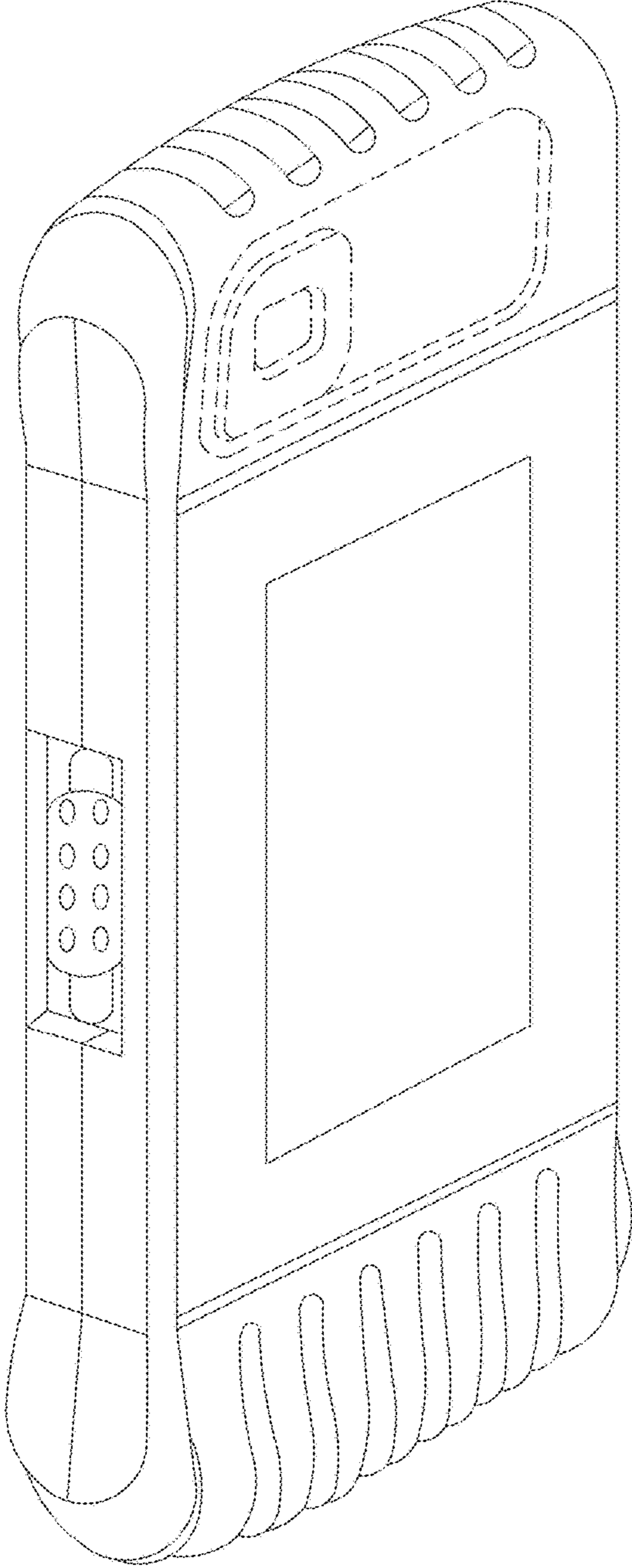


FIG. 1

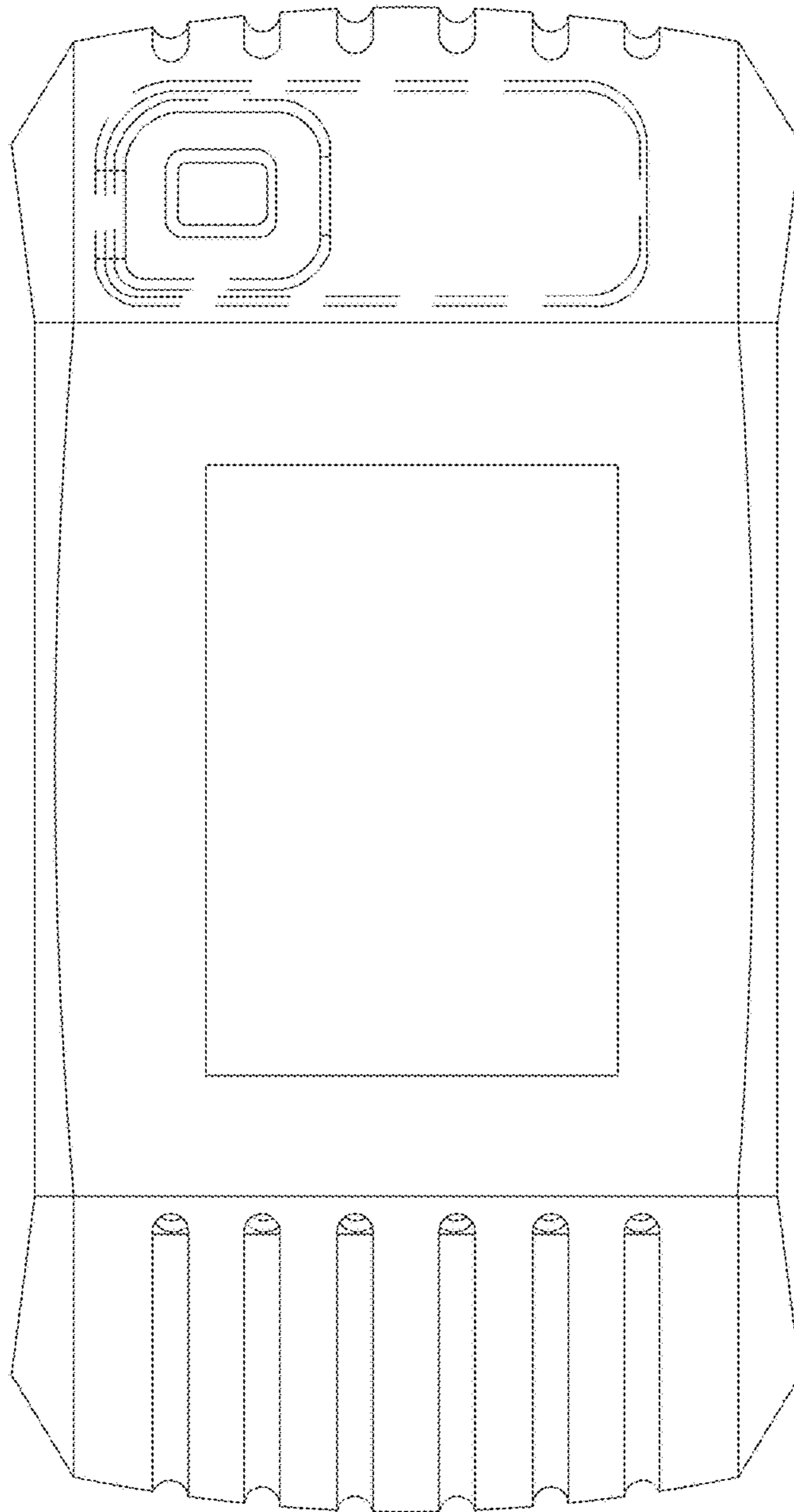


FIG. 2

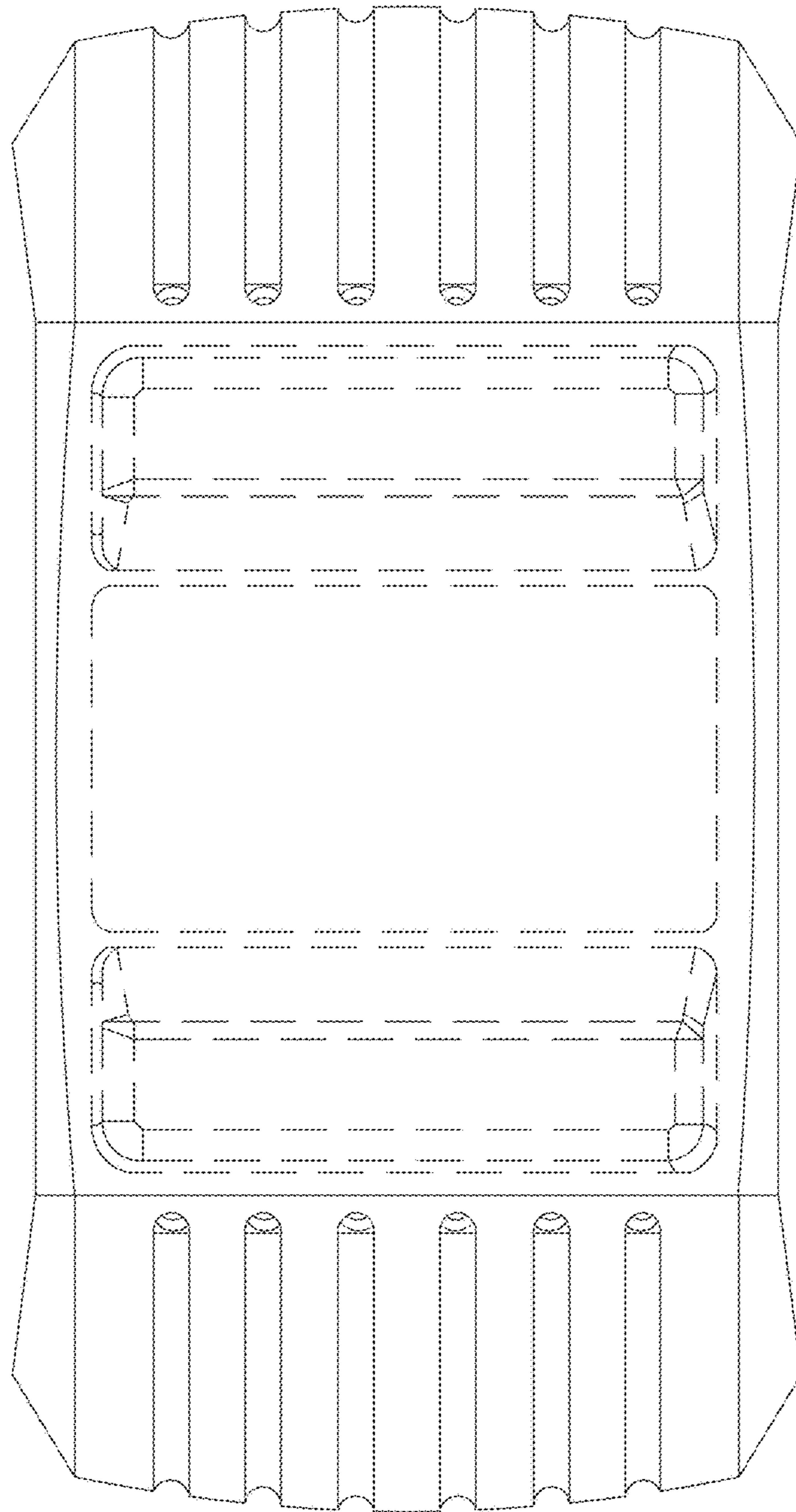


FIG. 3

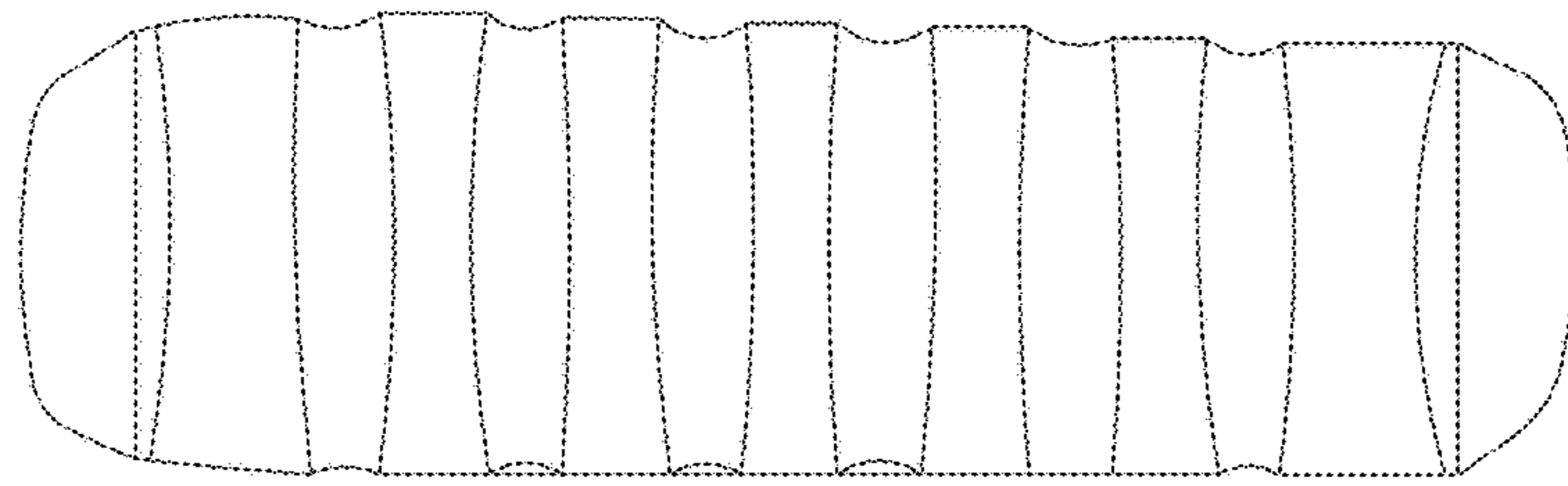


FIG. 5

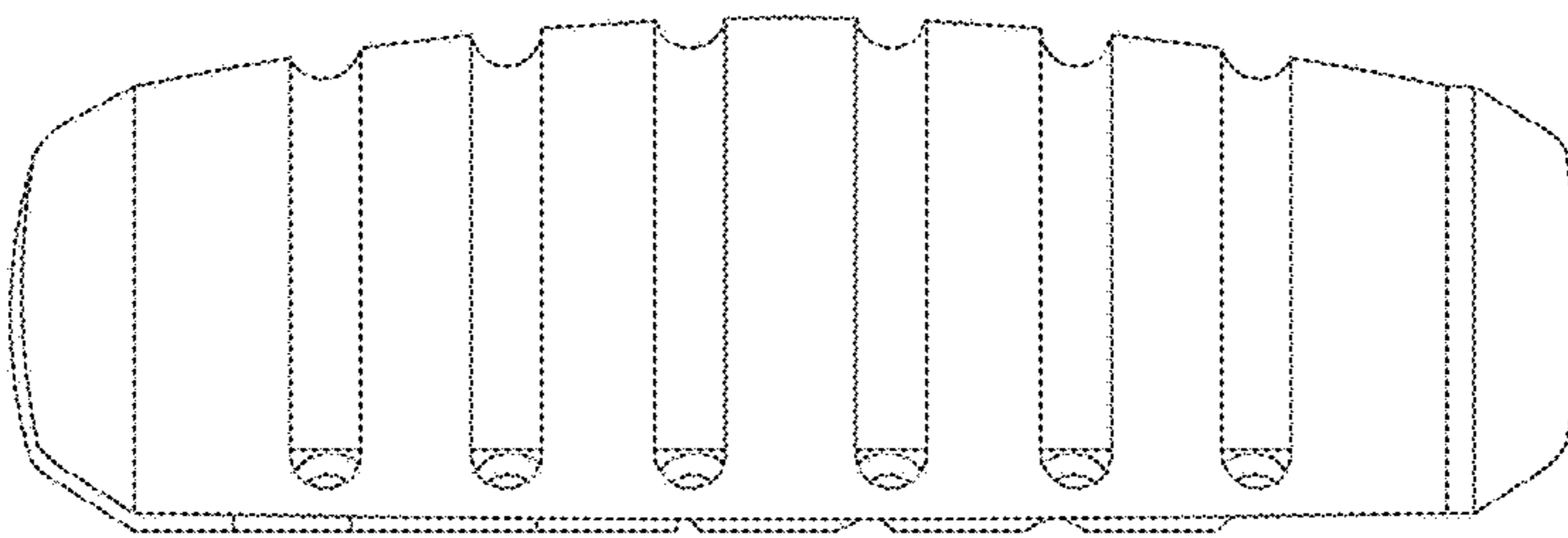


FIG. 4

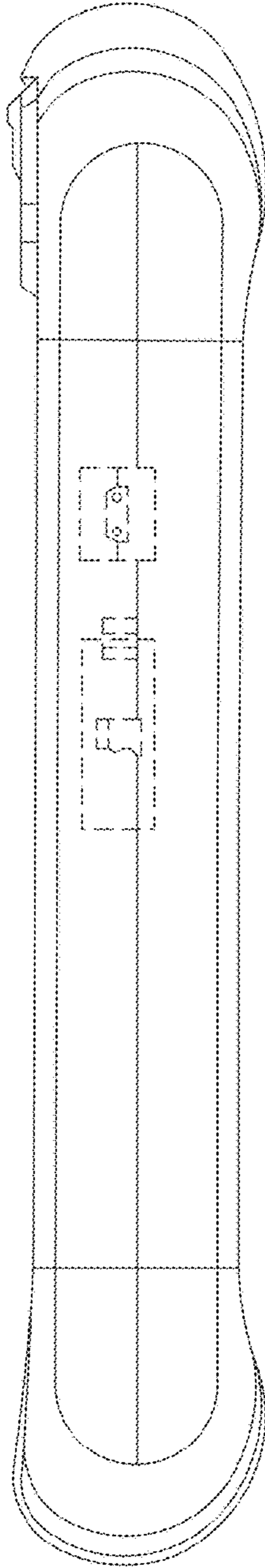


FIG. 6

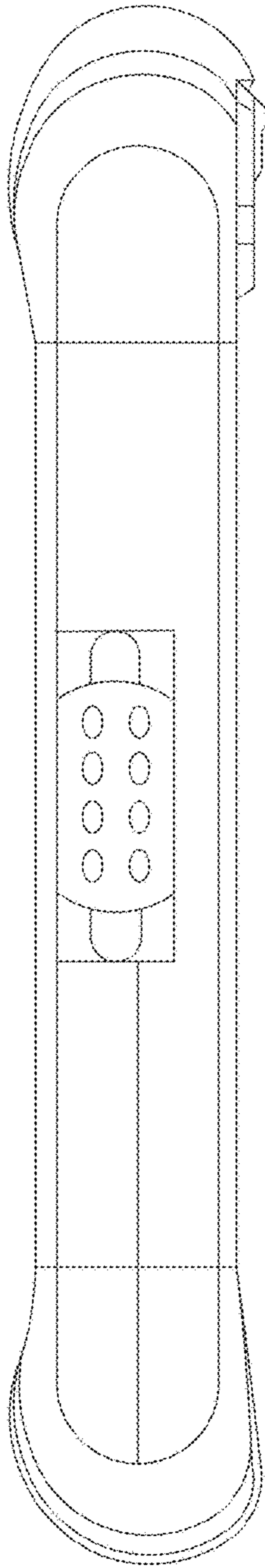


FIG. 7