

US00D840847S

(12) **United States Design Patent** (10) **Patent No.:** **US D840,847 S**
Doi et al. (45) **Date of Patent:** **** Feb. 19, 2019**

(54) **MACHINE FOR MEASURING SURFACE SHAPE AND SURFACE ROUGHNESS**

(71) Applicant: **MITUTOYO CORPORATION**, Kanagawa (JP)

(72) Inventors: **Futoshi Doi**, Kure (JP); **Toshihiko Kajihara**, Kure (JP); **Yu Sugai**, Hadano (JP); **Shigeru Ohtani**, Kawasaki (JP); **Shigemitsu Aoki**, Tokyo (JP)

(73) Assignee: **MITUTOYO CORPORATION**, Kanagawa (JP)

(**) Term: **15 Years**

(21) Appl. No.: **29/628,645**

(22) Filed: **Dec. 6, 2017**

(51) **LOC (11) Cl.** **10-04**

(52) **U.S. Cl.**
USPC **D10/65**

(58) **Field of Classification Search**
USPC D10/65
CPC G06T 7/60; G06T 2207/0004; H04N 5/23229; H04N 5/23296
See application file for complete search history.

(56) **References Cited**

U.S. PATENT DOCUMENTS

7,036,237 B2 * 5/2006 Ogura F16F 7/01
33/503

OTHER PUBLICATIONS

May 22, 2018 Decision to Grant issued in Japanese Design Application No. 2017-026100.
Surfrest SJ-500/SV-2100. Surface Roughness Measuring System. Mitutoyo America Corporation. Aurora, IL. Mar. 2009.
Surfrest SV-600. Series 178 Surface Roughness Testing System. Mitutoyo Corporation. Catalog No. US4127-178 (4). Apr. 30, 1998.

* cited by examiner

Primary Examiner — Antoine Duval Davis

(74) *Attorney, Agent, or Firm* — Oliff PLC

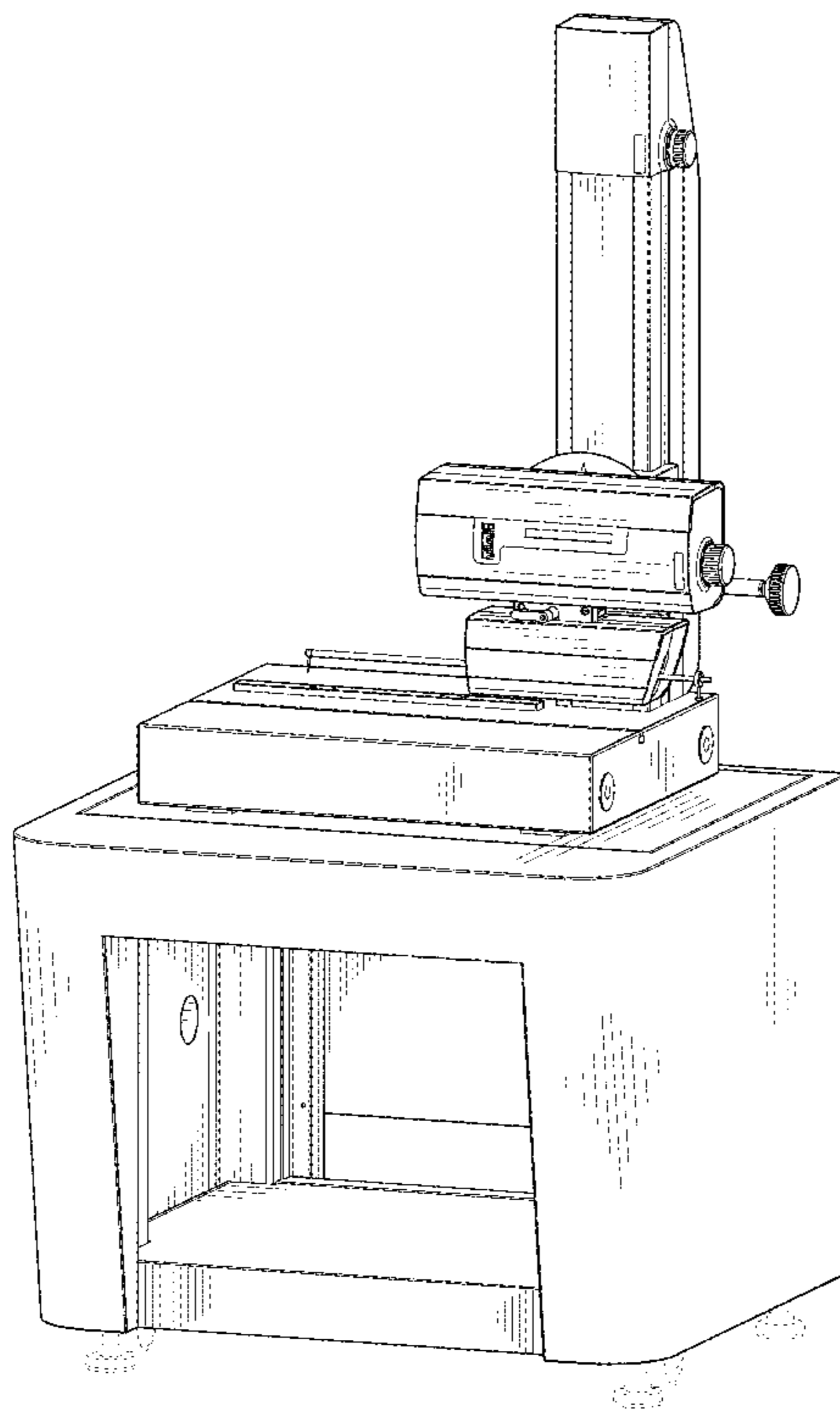
(57) **CLAIM**

The ornamental design for a machine for measuring surface shape and surface roughness, as shown and described.

DESCRIPTION

FIG. 1 is a front, top, right-side perspective view of the machine for measuring surface shape and surface roughness; FIG. 2 is a front-elevational view thereof; FIG. 3 is a top plan view thereof; FIG. 4 is a left-side elevational view thereof; FIG. 5 is a right-side elevational view thereof; FIG. 6 is a rear elevational view thereof; FIG. 7 is a bottom plan view thereof; and, FIG. 8 is a front, top, left-side perspective view thereof. The broken lines depict unclaimed parts of the machine, and thus form no part of the claimed design.

1 Claim, 8 Drawing Sheets



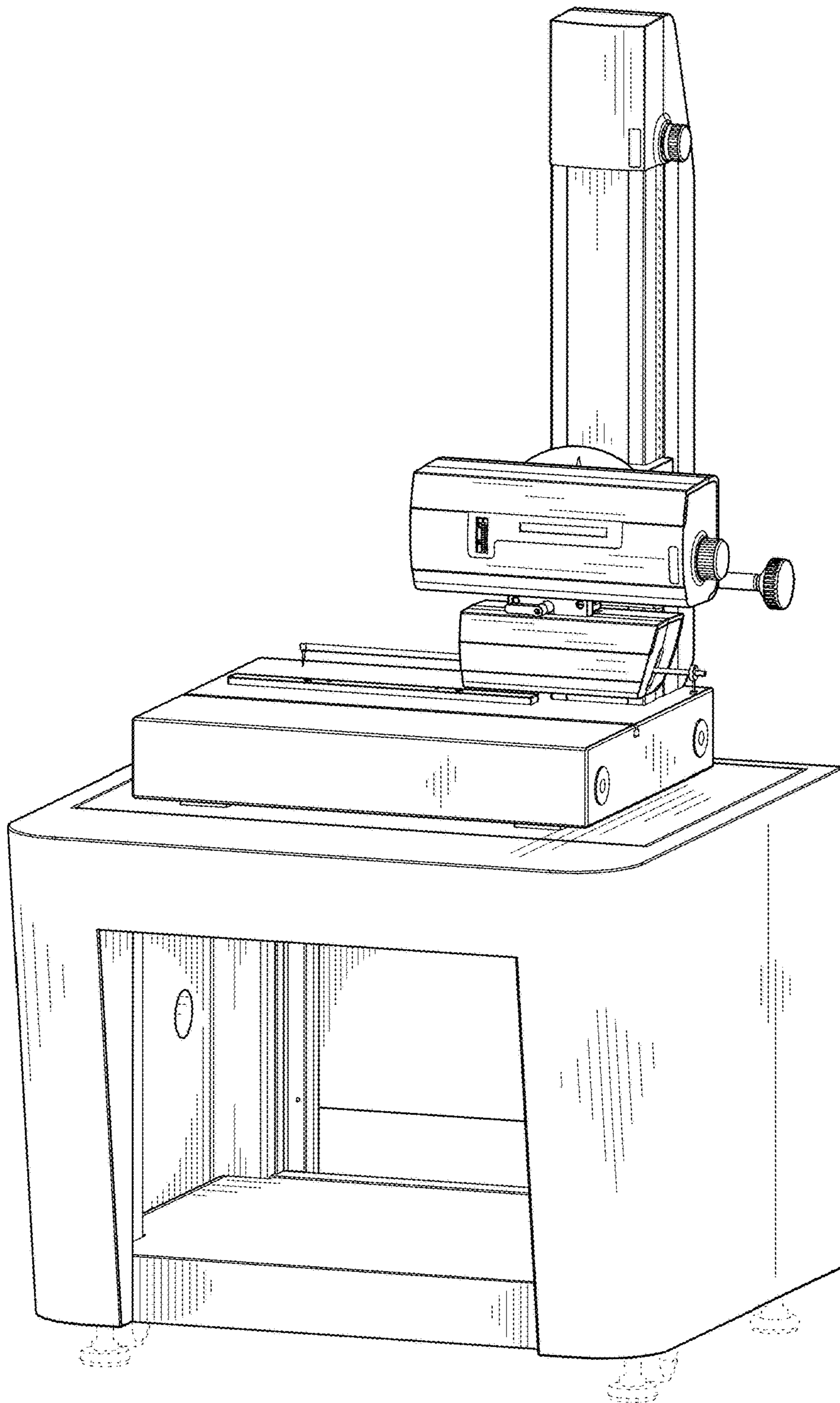


FIG. 1

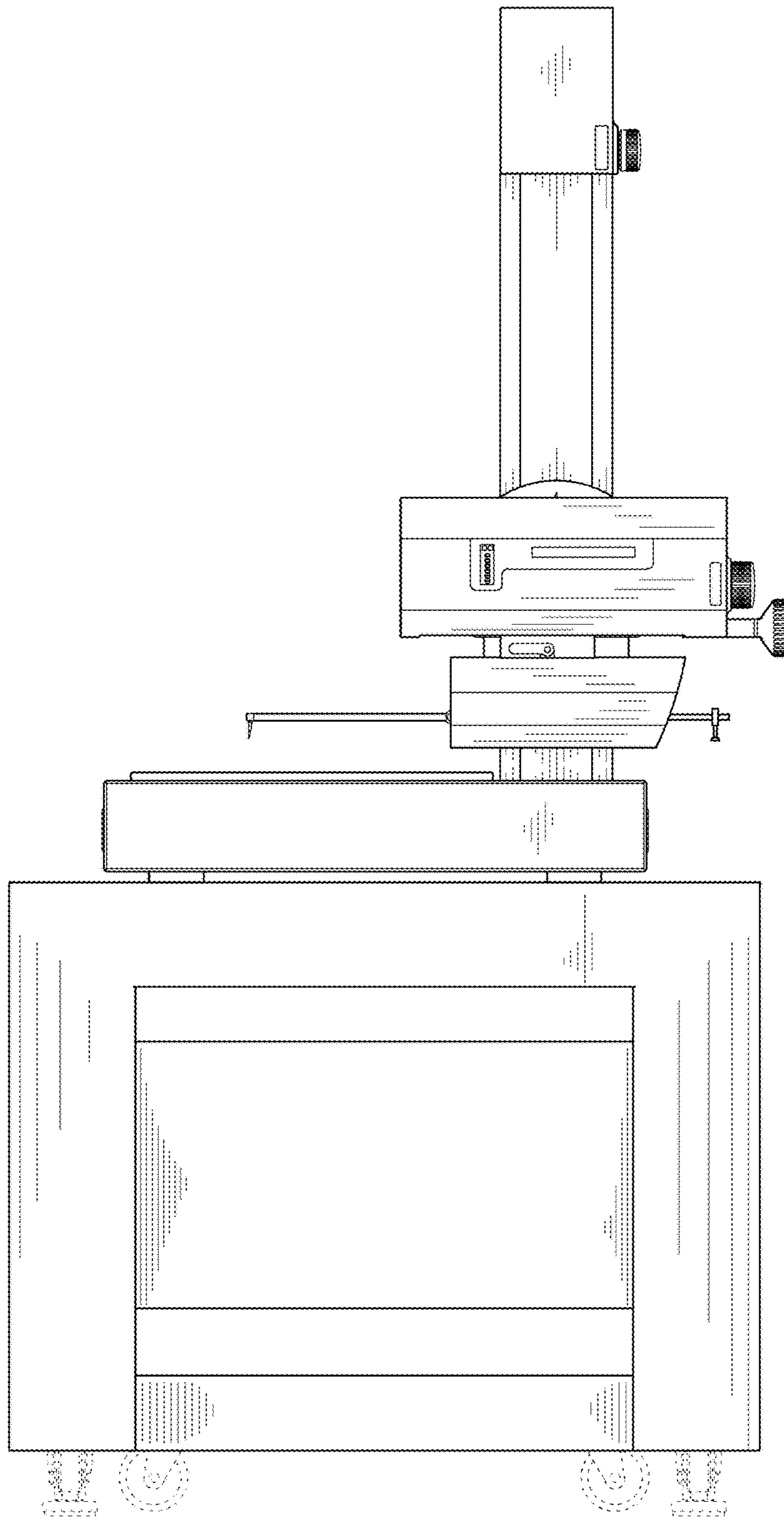


FIG. 2

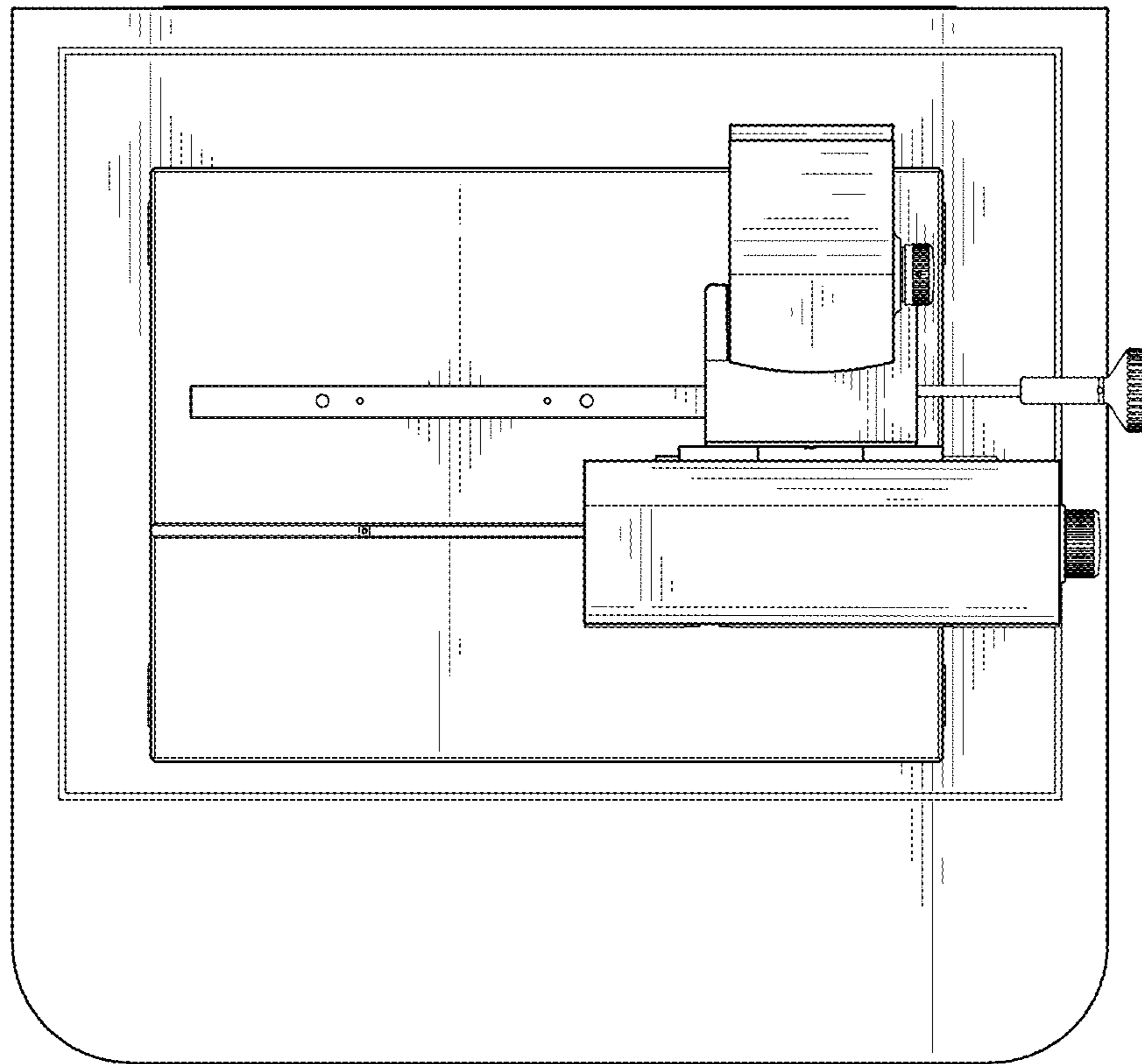


FIG. 3

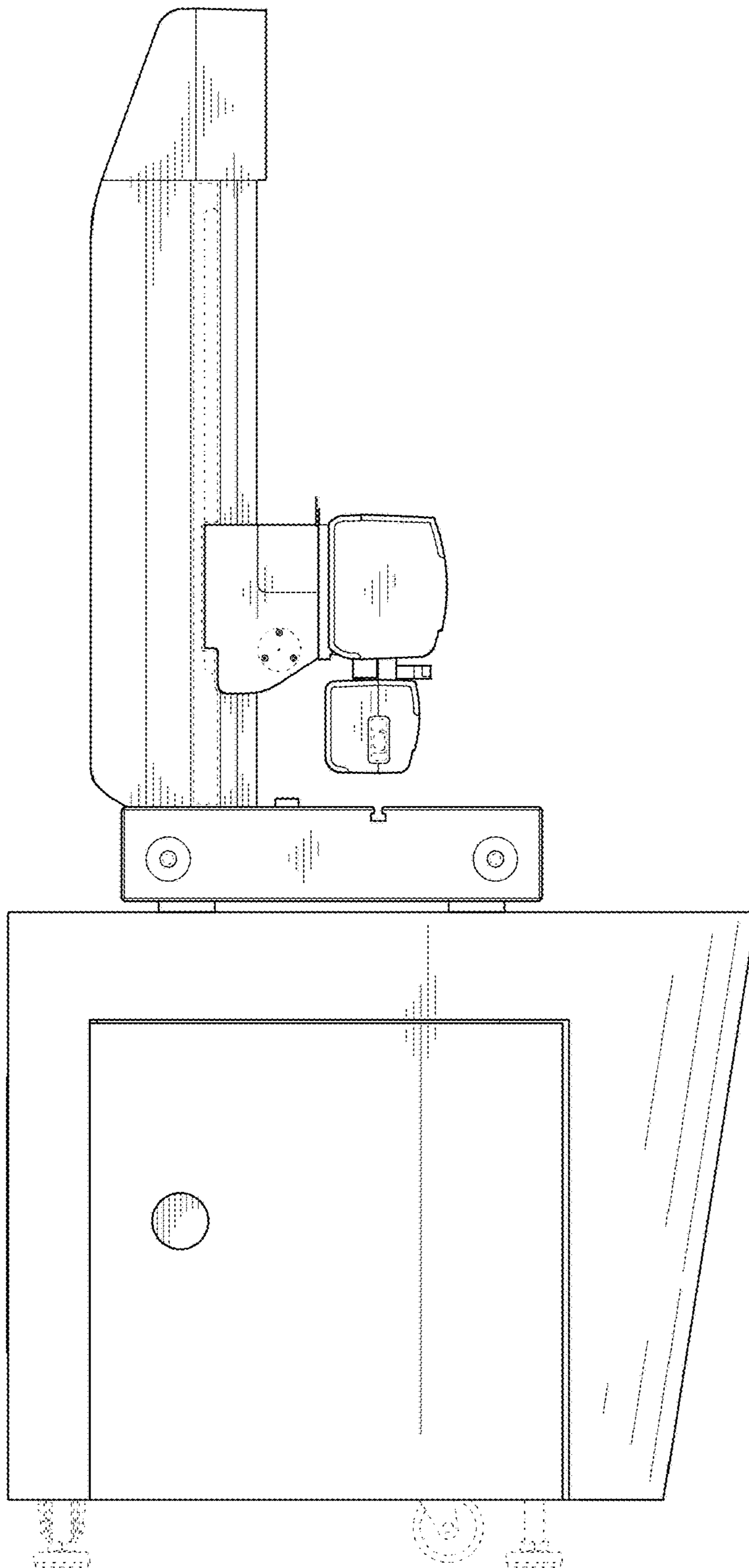


FIG. 4

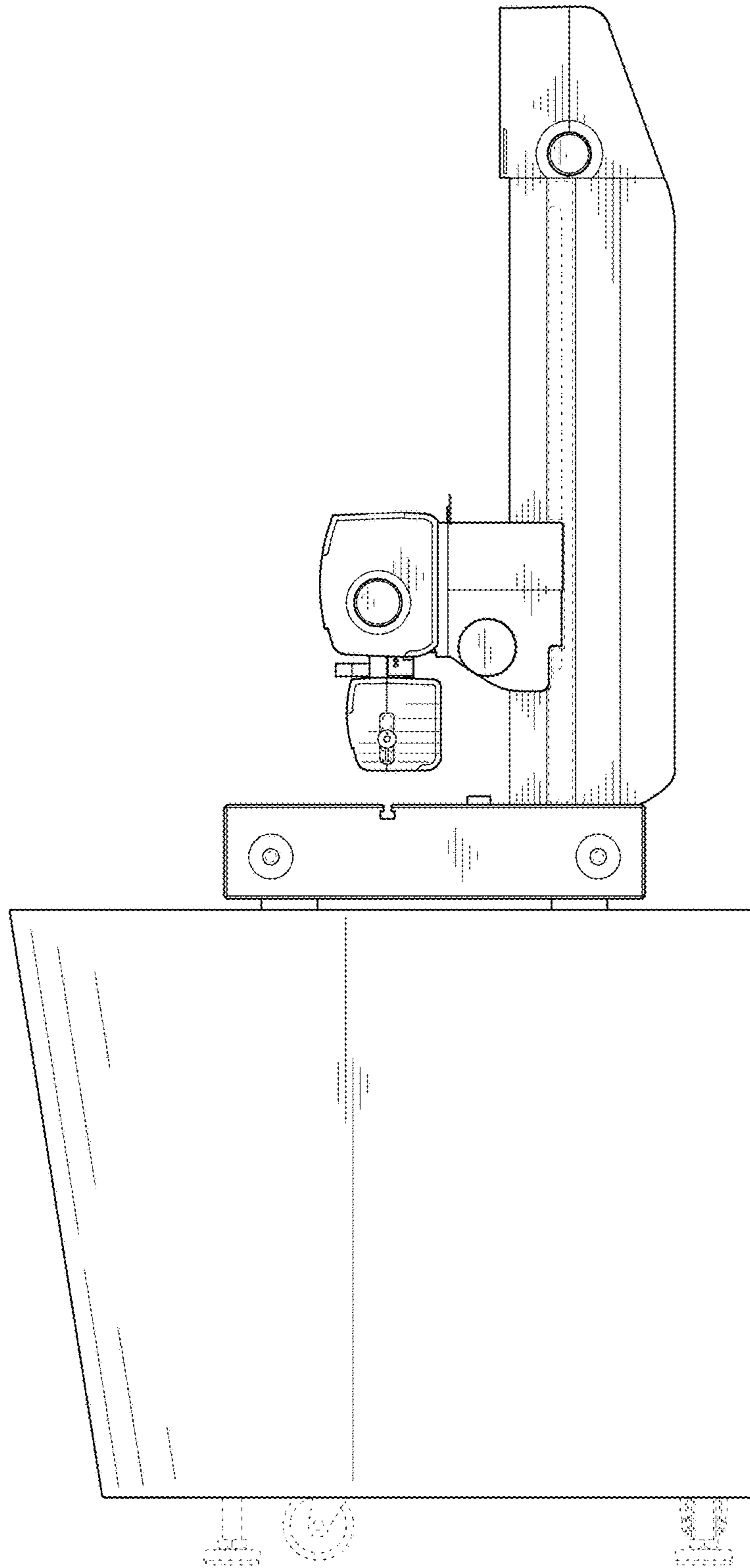


FIG. 5

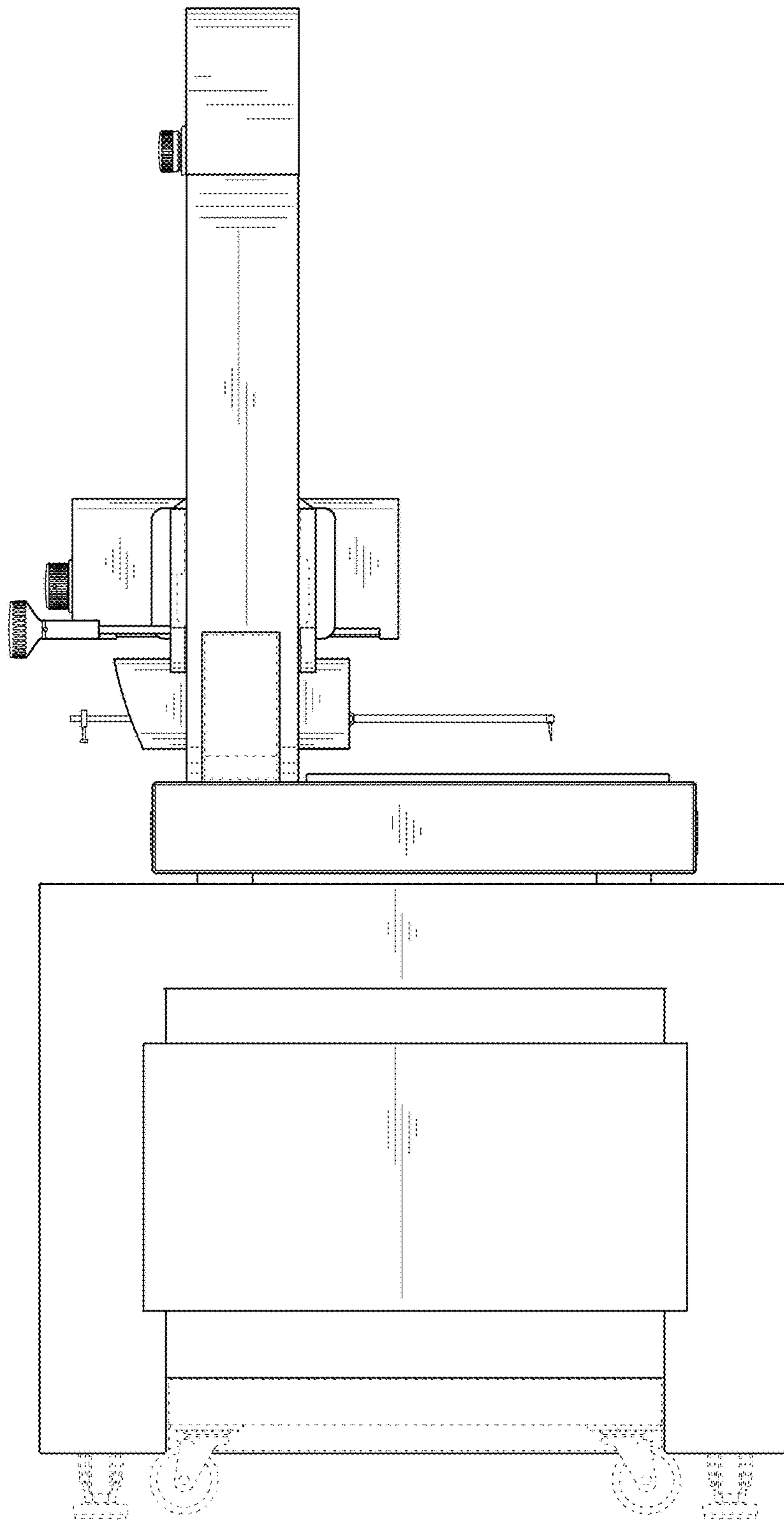


FIG. 6

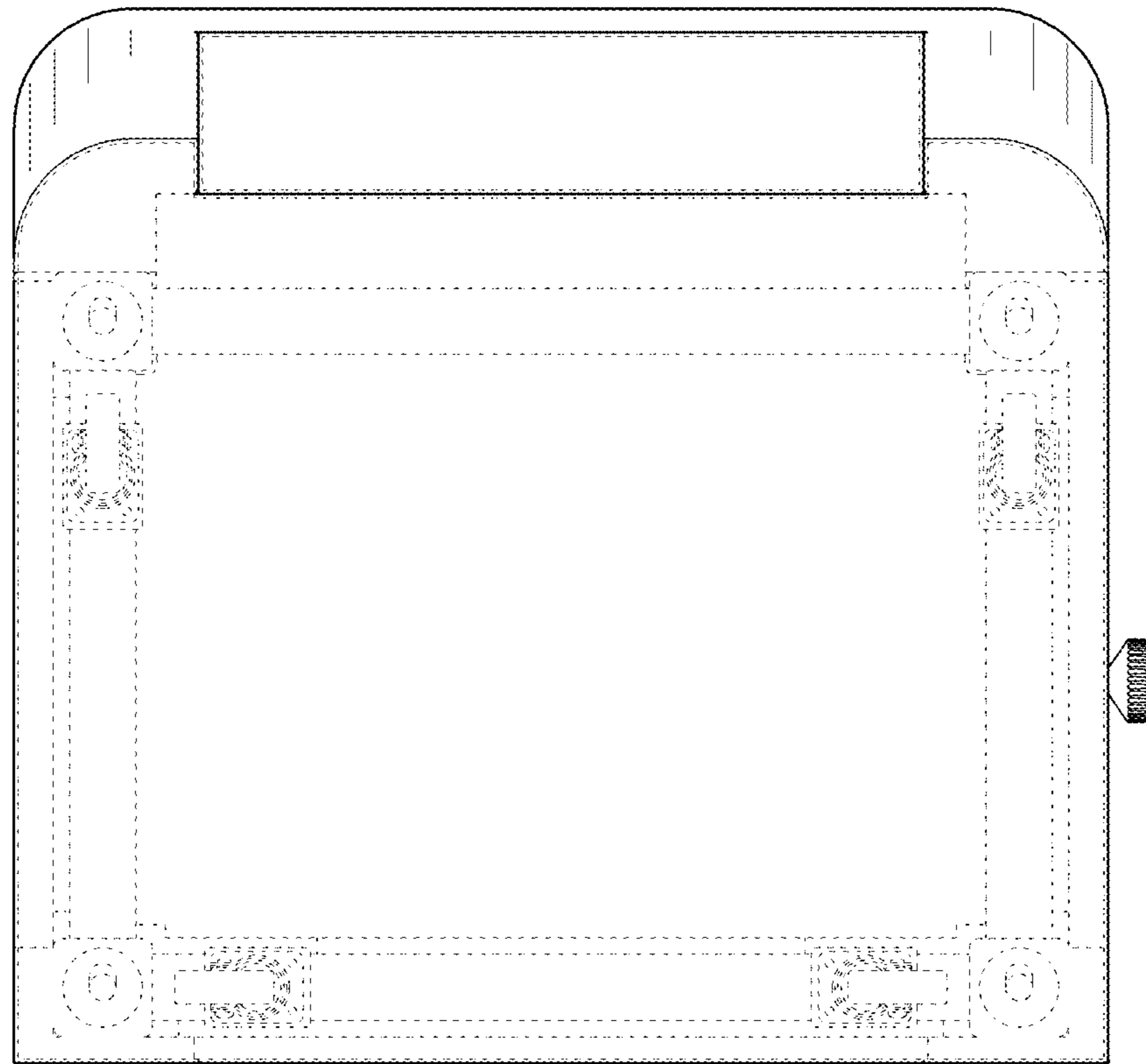


FIG. 7

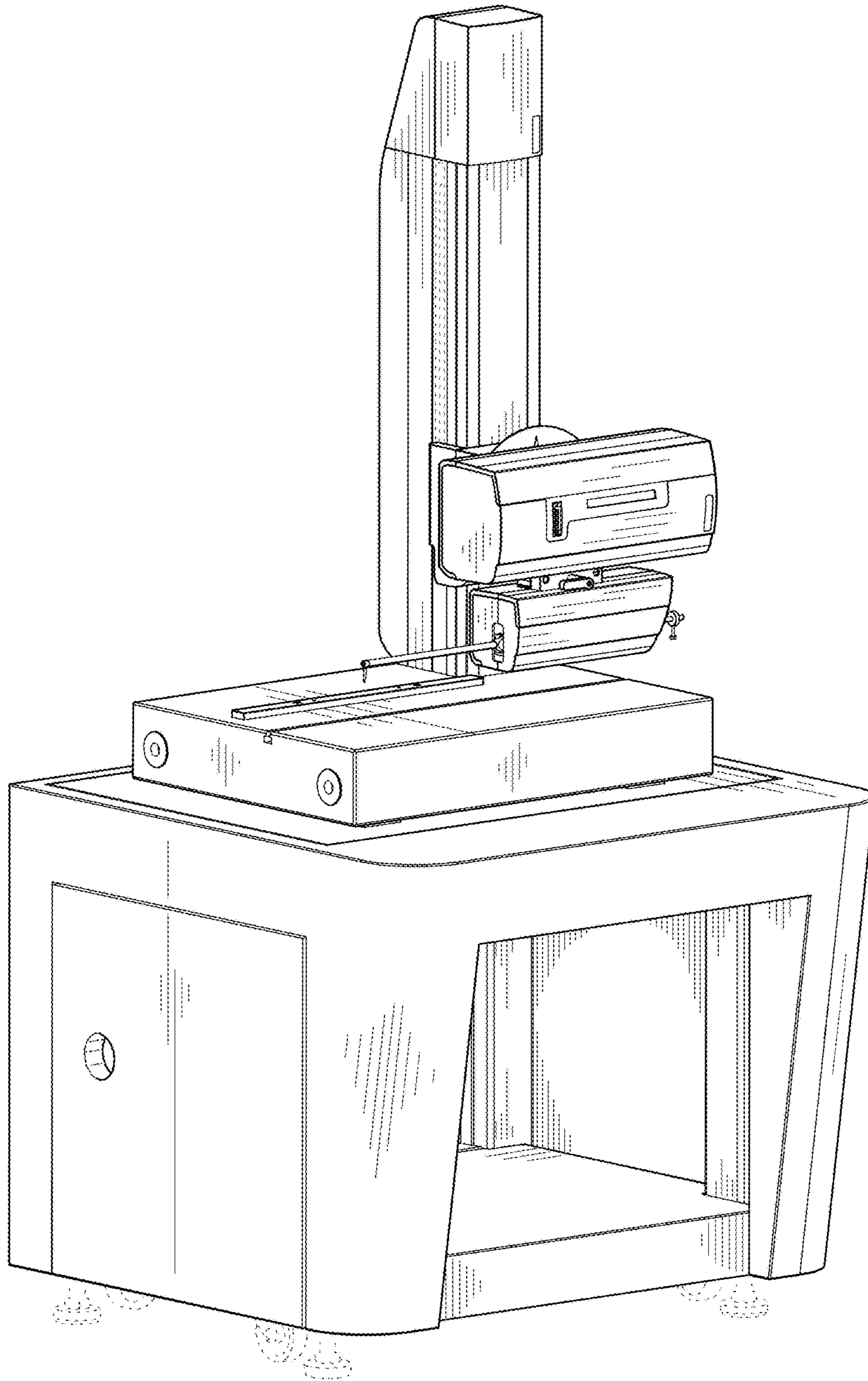


FIG. 8