



US00D840846S

(12) **United States Design Patent**  
**Liu**

(10) **Patent No.:** **US D840,846 S**

(45) **Date of Patent:** **\*\* Feb. 19, 2019**

(54) **BLUETOOTH FOOD THERMOMETER (PRO5)**

7,883,267 B2 \* 2/2011 Perry ..... G01K 1/028  
374/100  
10,067,004 B1 \* 9/2018 Allen ..... G01K 13/00

(71) Applicant: **SHENZHEN HYPERSYNES CO., LTD**, Shenzhen (CN)

\* cited by examiner

(72) Inventor: **Linqing Liu**, Shenzhen (CN)

*Primary Examiner* — Antoine Duval Davis

(73) Assignee: **SHENZHEN HYPERSYNES CO., LTD**, Shenzhen (CN)

(74) *Attorney, Agent, or Firm* — Wayne & Ken, LLC;  
Tony Hom

(\*\*) Term: **15 Years**

(57) **CLAIM**

(21) Appl. No.: **29/633,629**

A new, original, ornamental design for a bluetooth food thermometer (PRO5), as shown and described.

(22) Filed: **Jan. 15, 2018**

(51) **LOC (11) Cl.** ..... **10-04**

**DESCRIPTION**

(52) **U.S. Cl.**  
USPC ..... **D10/57**

(58) **Field of Classification Search**  
USPC ..... D10/57, 58  
CPC ..... G01K 2207/02; G01K 2207/04; G01K 2207/06; G01K 2207/08

FIG. 1 is a perspective view of a bluetooth food thermometer (PRO5) showing my new design;  
FIG. 2 is a front view thereof;  
FIG. 3 is a back view thereof;  
FIG. 4 is a left view thereof;  
FIG. 5 is a right view thereof;  
FIG. 6 is a top view thereof; and,  
FIG. 7 is a bottom view thereof.

See application file for complete search history.

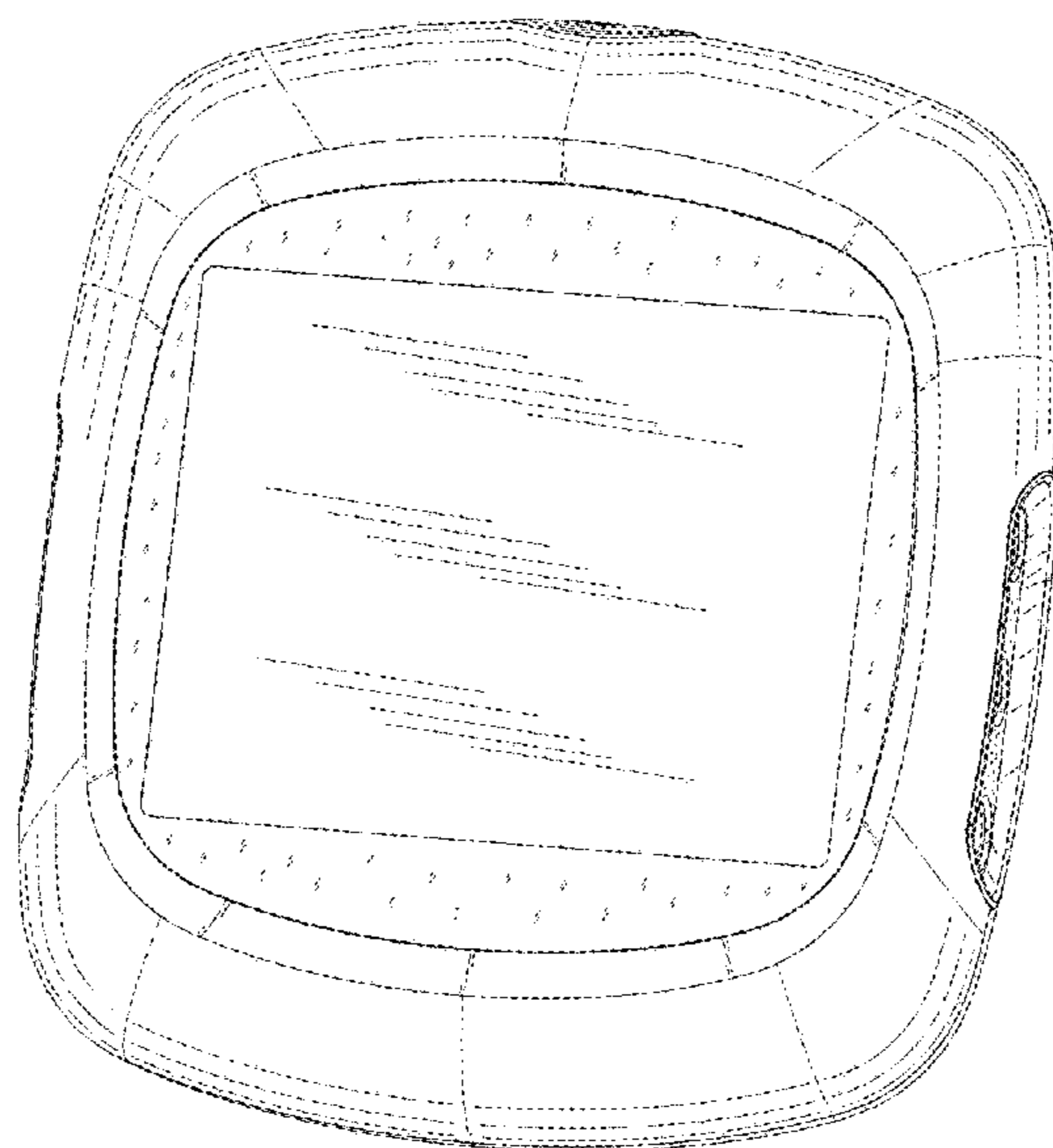
The broken lines in the drawing depict environmental subject matter only and form no part of the claimed design.

(56) **References Cited**

U.S. PATENT DOCUMENTS

D388,641 S \* 1/1998 Reeves ..... D6/513

**1 Claim, 7 Drawing Sheets**



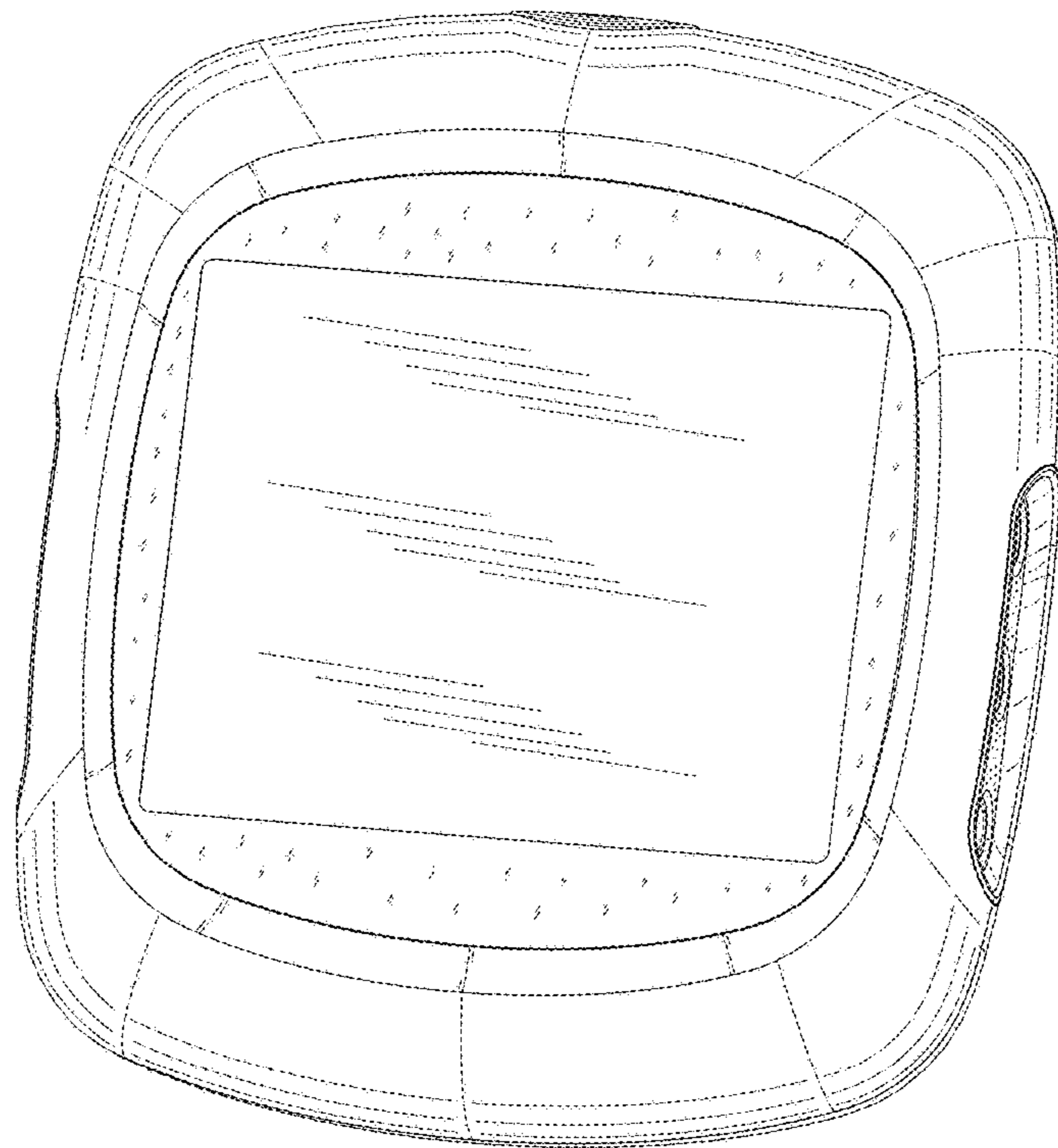


FIG .1

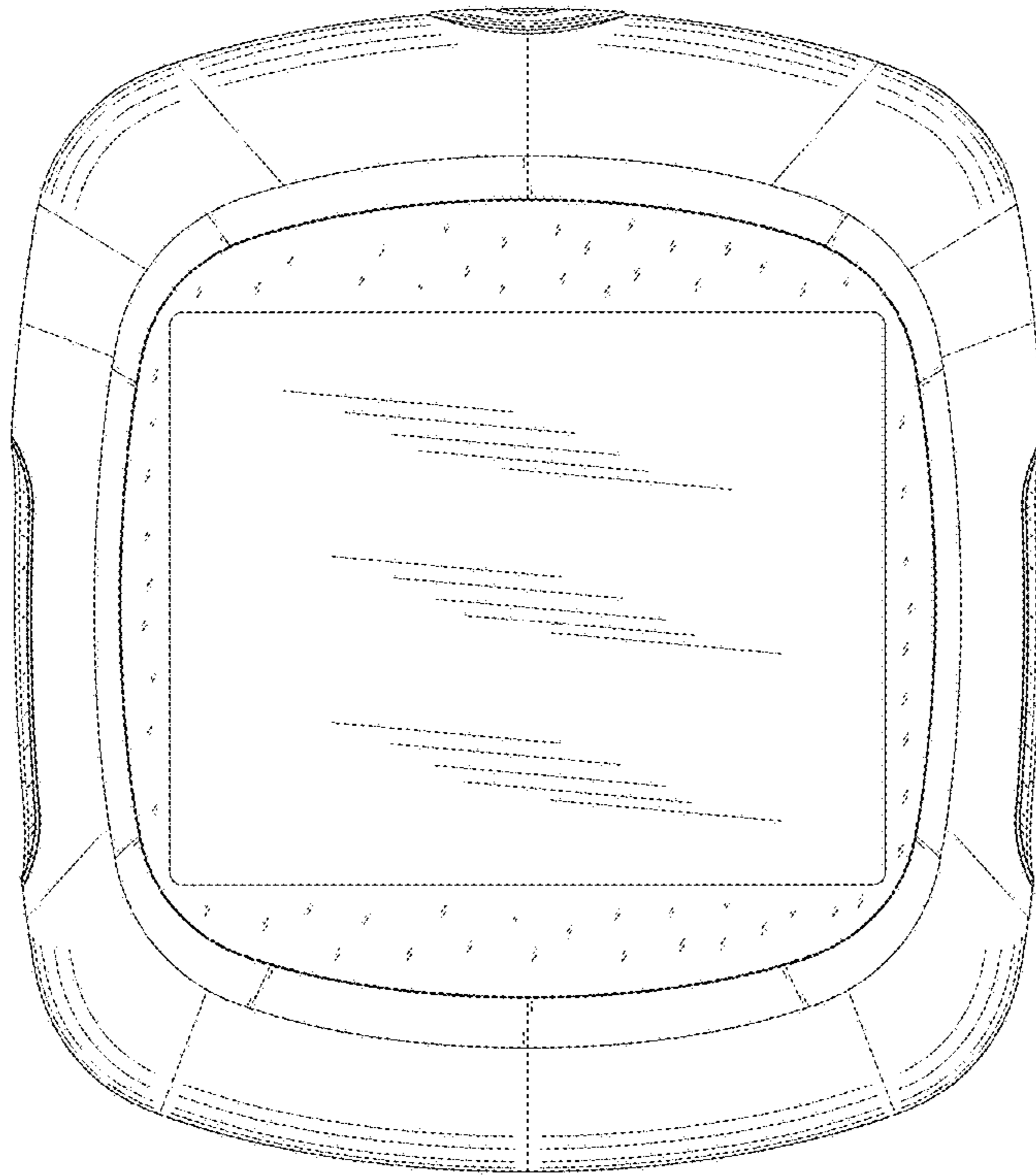


FIG .2

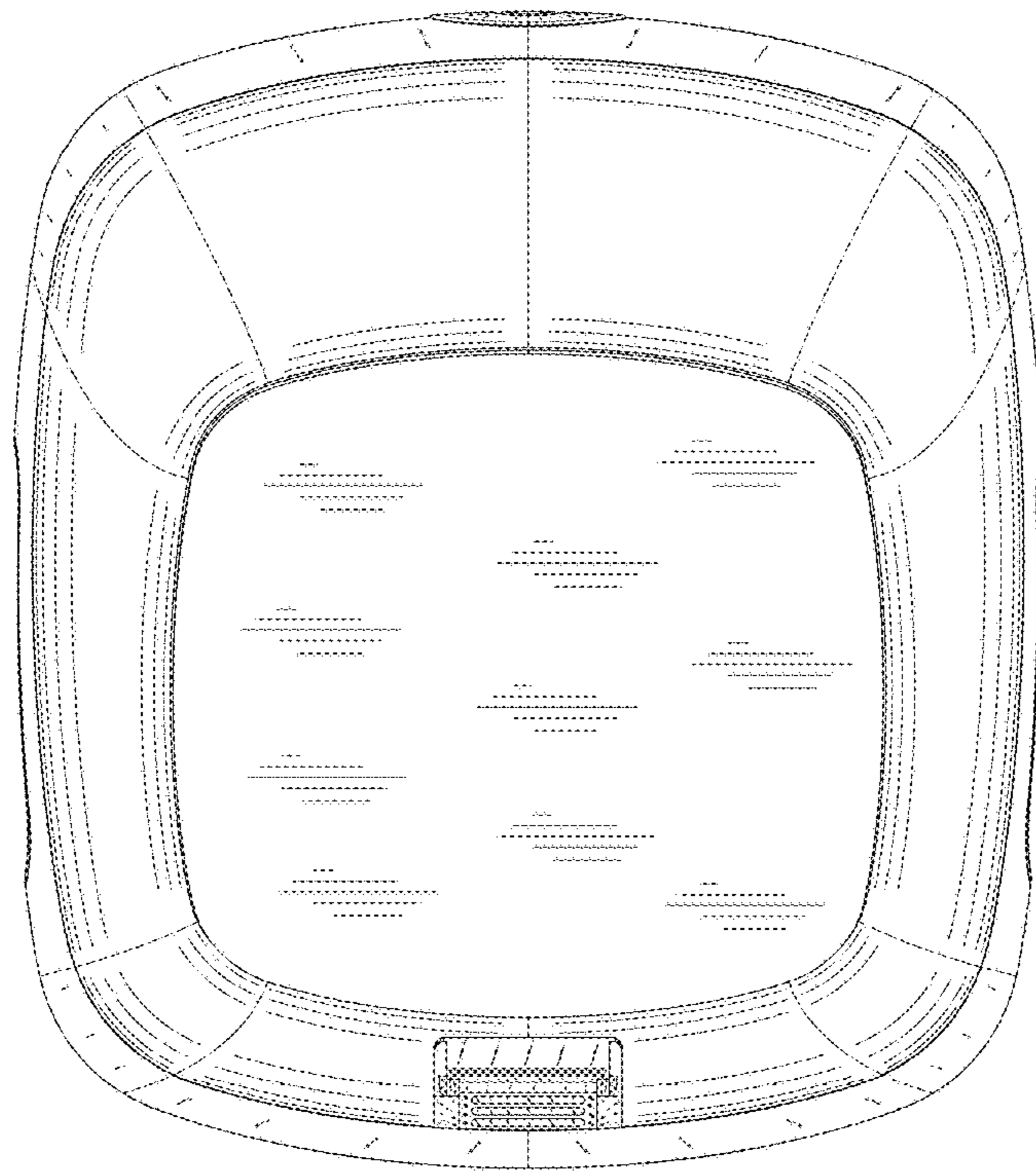


FIG .3

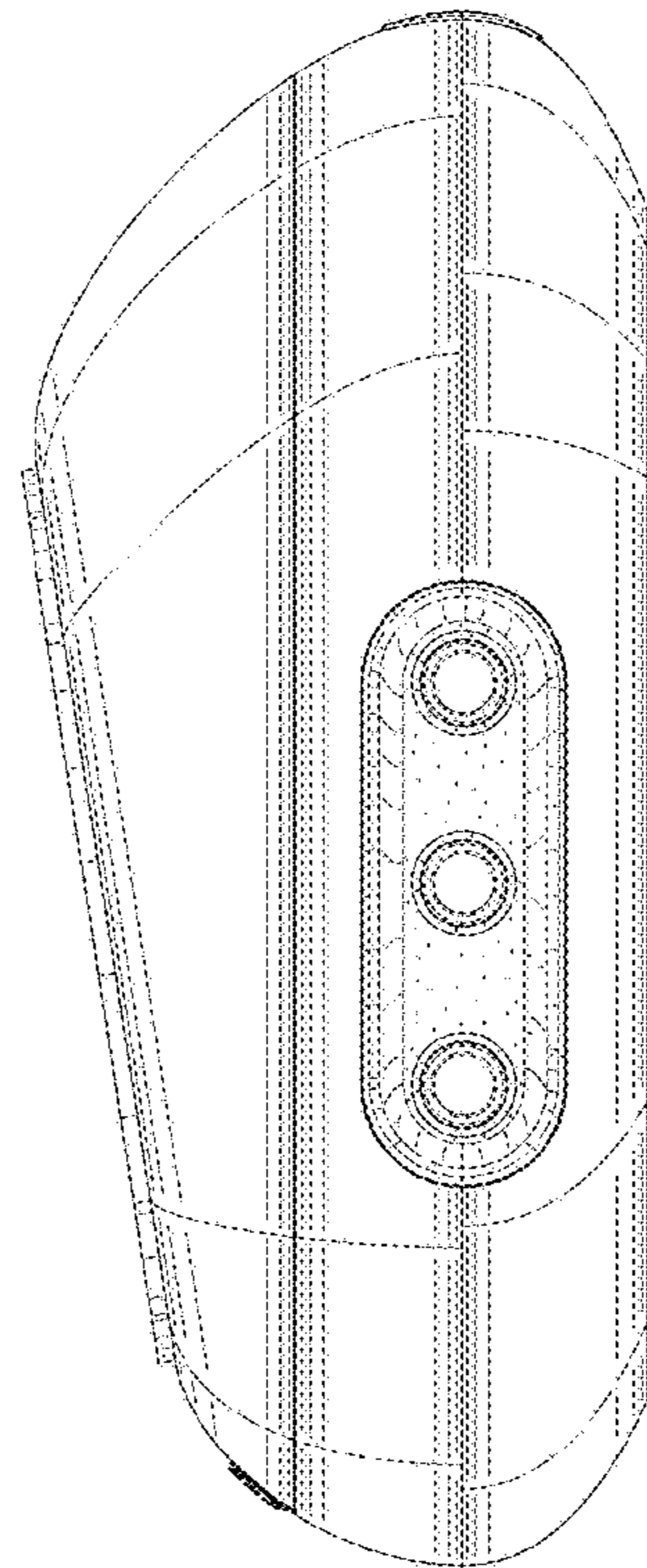


FIG .4

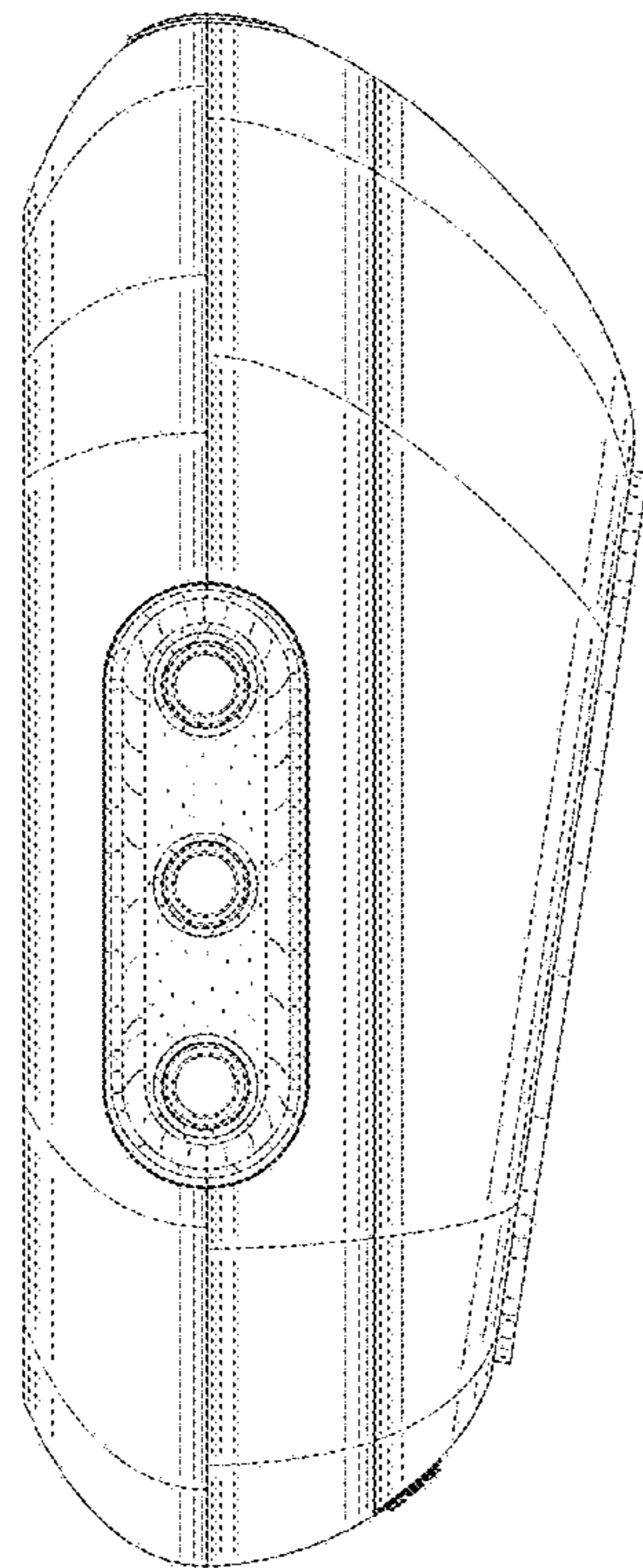


FIG .5

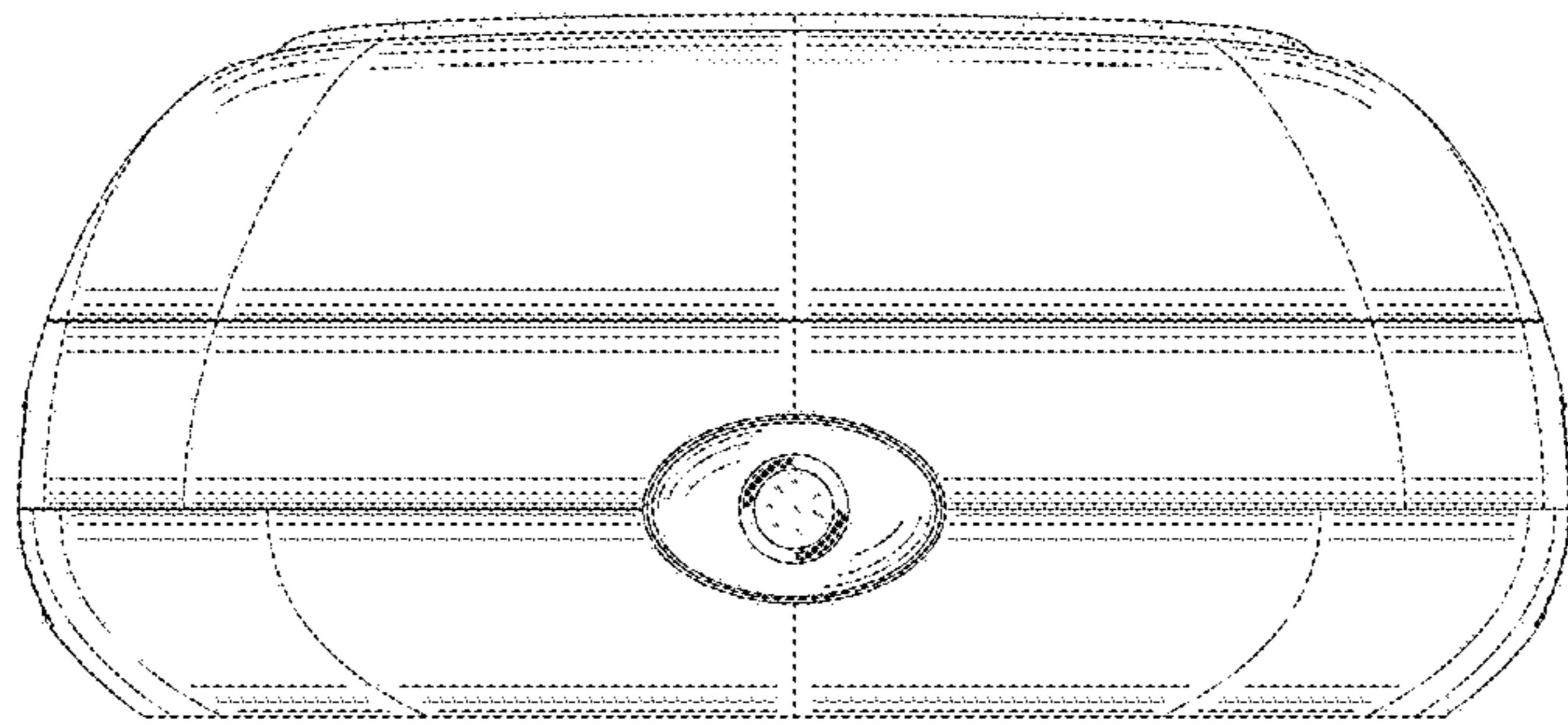


FIG .6

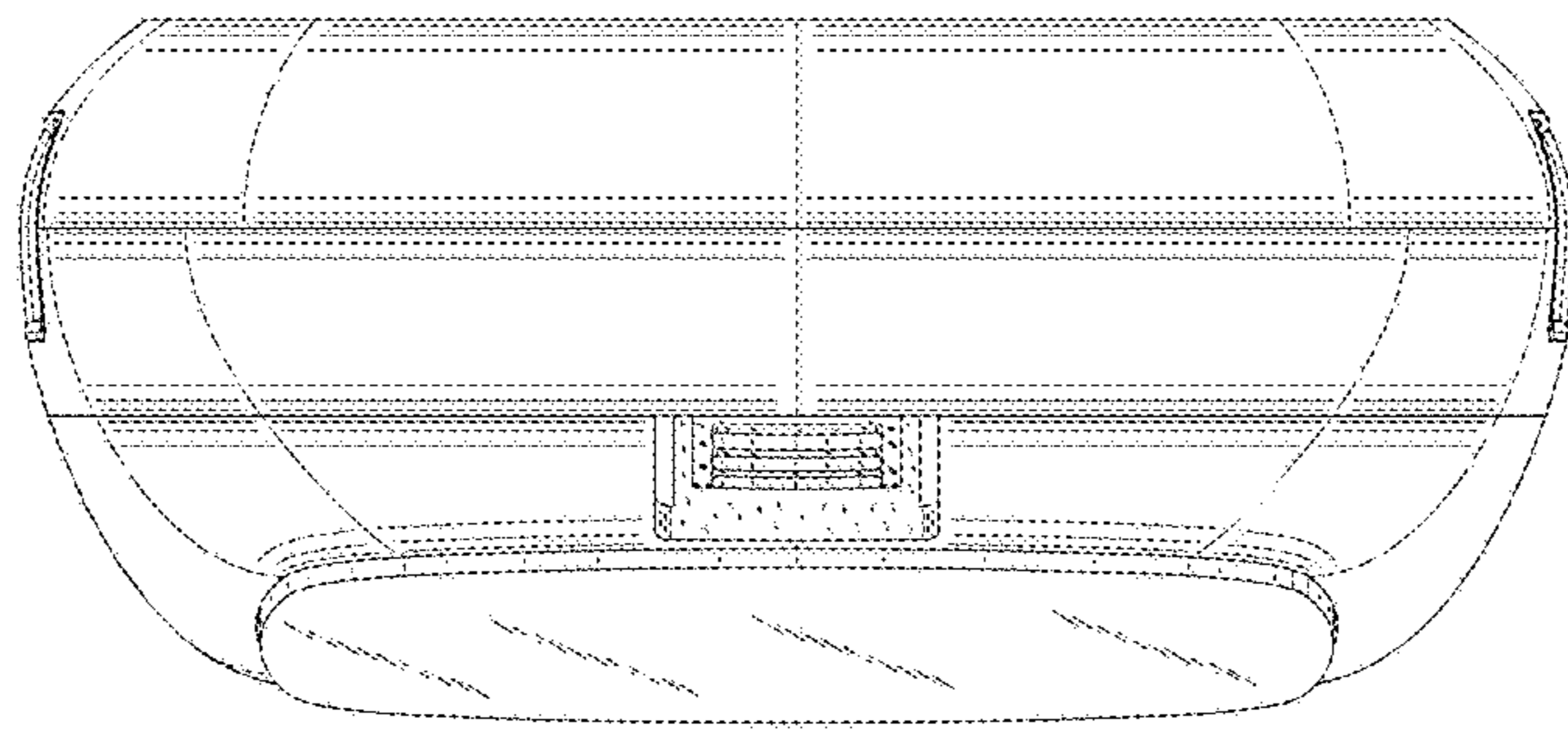


FIG .7