



US00D840844S

(12) **United States Design Patent**
Le Bot

(10) **Patent No.:** **US D840,844 S**

(45) **Date of Patent:** **** Feb. 19, 2019**

(54) **WATCH**

(71) Applicant: **Richemont International SA,**
Villars-sur-Glane (CH)

(72) Inventor: **Malo Le Bot,** Vesenaz (CH)

(73) Assignee: **Richemont International SA,**
Villars-sur-Glane (CH)

(**) Term: **15 Years**

(21) Appl. No.: **29/606,865**

(22) Filed: **Jun. 8, 2017**

(30) **Foreign Application Priority Data**

Dec. 9, 2016 (WO) DM/093820

(51) **LOC (11) Cl.** **10-02**

(52) **U.S. Cl.**
USPC **D10/39**

(58) **Field of Classification Search**
USPC D10/30, 31, 32, 33, 34, 35, 36, 37, 38,
D10/39, 122, 123, 124, 102, 128; D11/1,
D11/2, 3, 4; D14/300, 341, 344, 137,
D14/138 R, 138 G
CPC G04B 17/00; G04B 17/02; G04B 17/005;
G04B 17/285; G04B 37/00; G04B
37/0058; G04B 45/00; G04B 45/02;
G04B 45/0038; G04B 45/0069; G04B
45/0076; G04B 29/00; G04B 19/268

See application file for complete search history.

(56) **References Cited**

U.S. PATENT DOCUMENTS

D445,344 S *	7/2001	Haquet	D10/30
D459,236 S *	6/2002	Haquet	D10/30
D599,682 S *	9/2009	Yoshida	D10/32
D703,554 S *	4/2014	Emmenegger	D10/32
D748,501 S *	2/2016	Cerrato	D10/30
D758,887 S *	6/2016	Sasaki	D10/128

* cited by examiner

Primary Examiner — Sheryl Lane

Assistant Examiner — Samantha N Wood

(74) *Attorney, Agent, or Firm* — Taft Stettinius &
Hollister LLP

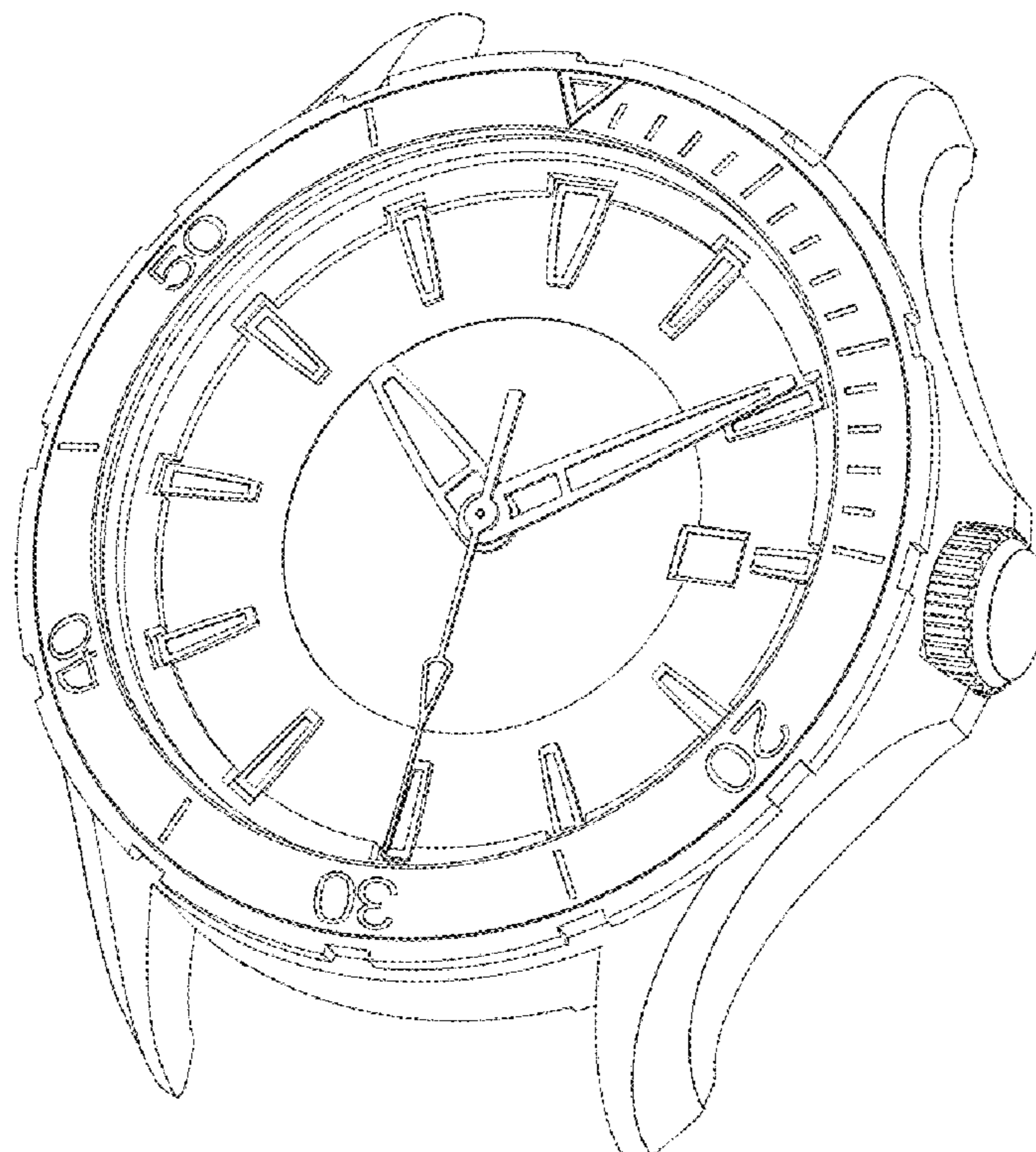
(57) **CLAIM**

The ornamental design of a watch, as shown and described.

DESCRIPTION

FIG. 1 is a front elevational view of a watch showing my new design;
FIG. 2 is a back elevational view thereof;
FIG. 3 is a right side elevational view thereof;
FIG. 4 is a left side elevational view thereof;
FIG. 5 is a bottom plan view thereof;
FIG. 6 is a top plan view thereof;
FIG. 7 is a front, right side perspective view thereof; and,
FIG. 8 is a back, left side perspective view thereof.

1 Claim, 1 Drawing Sheet



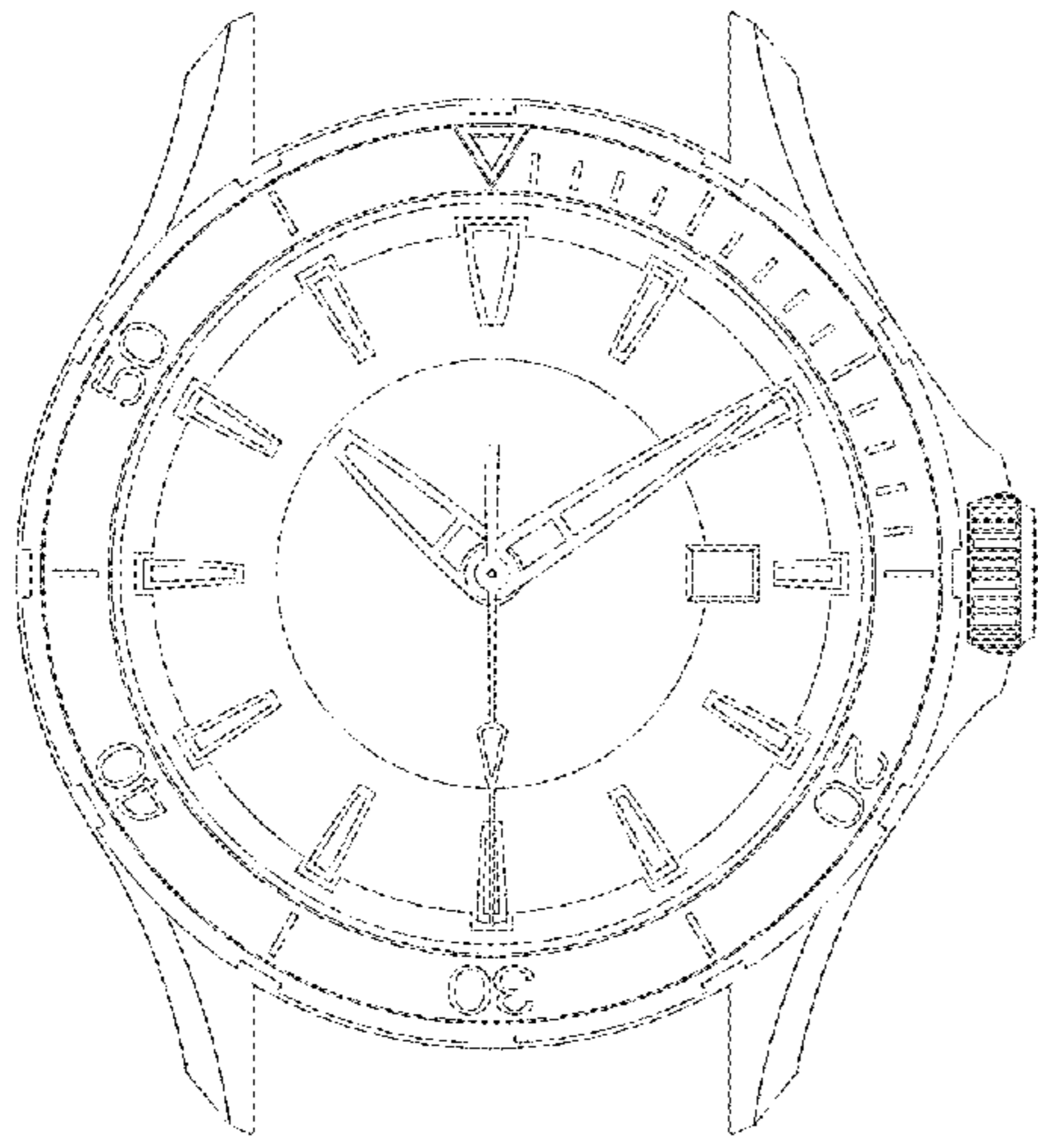


Fig. 1

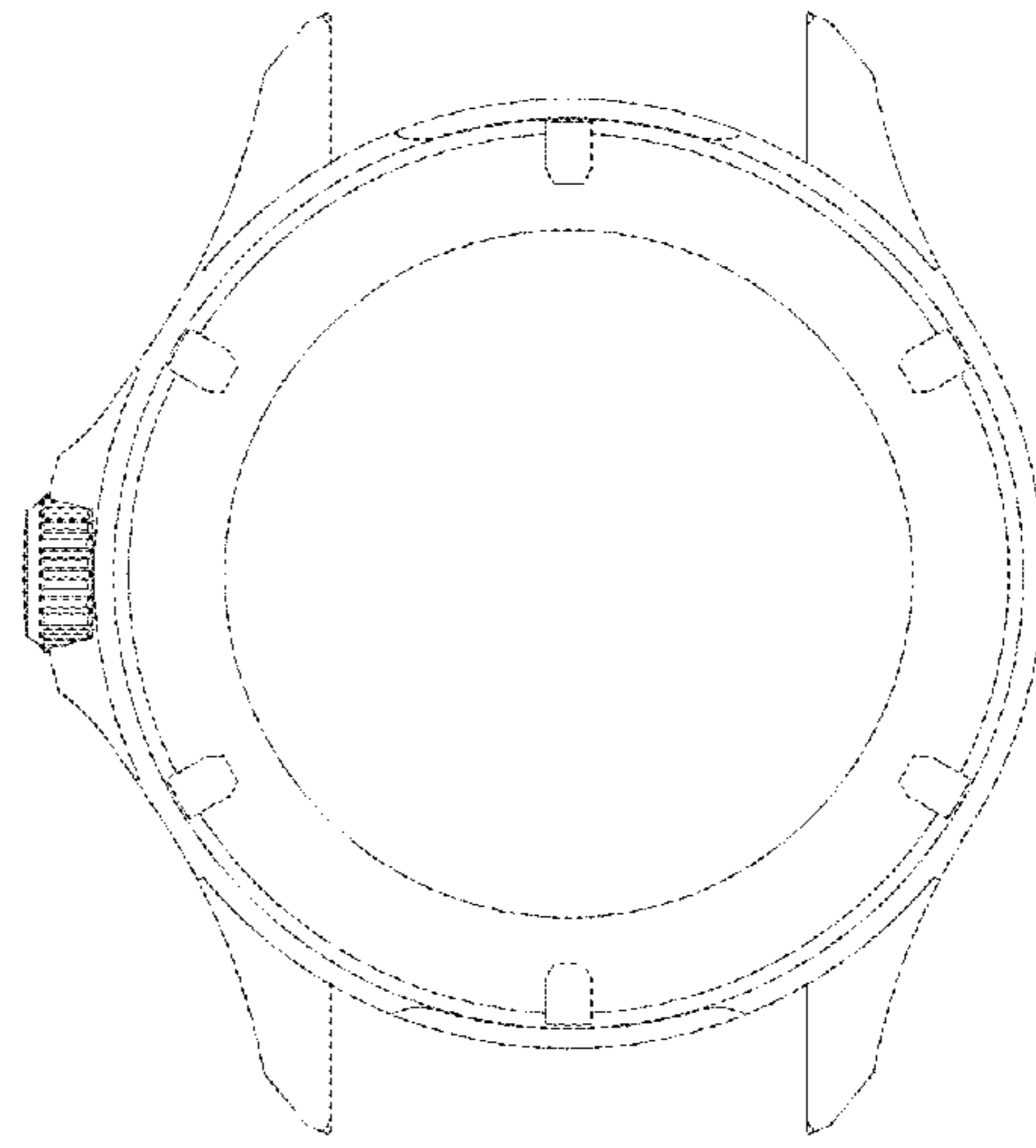


Fig. 2

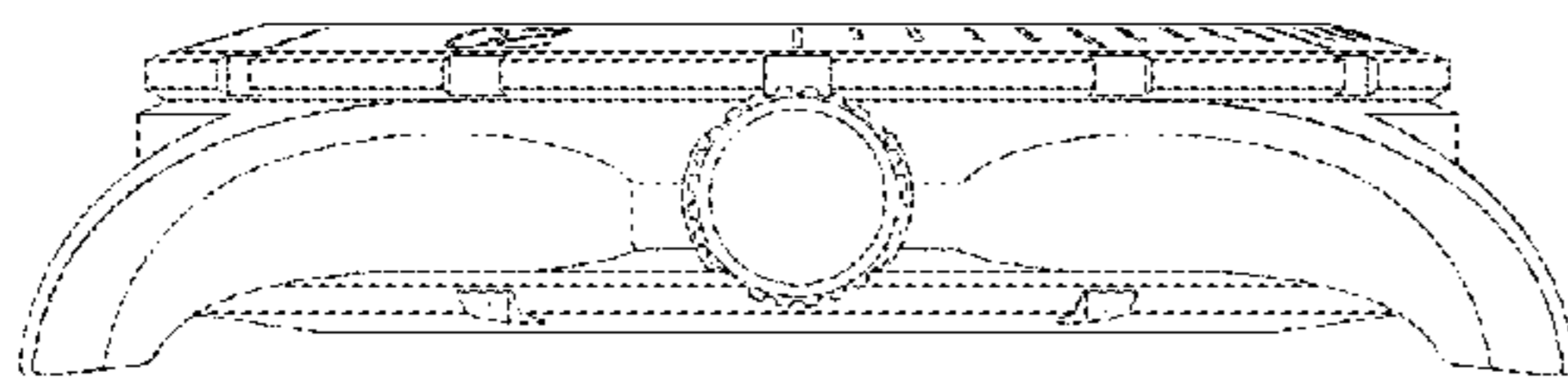


Fig. 3

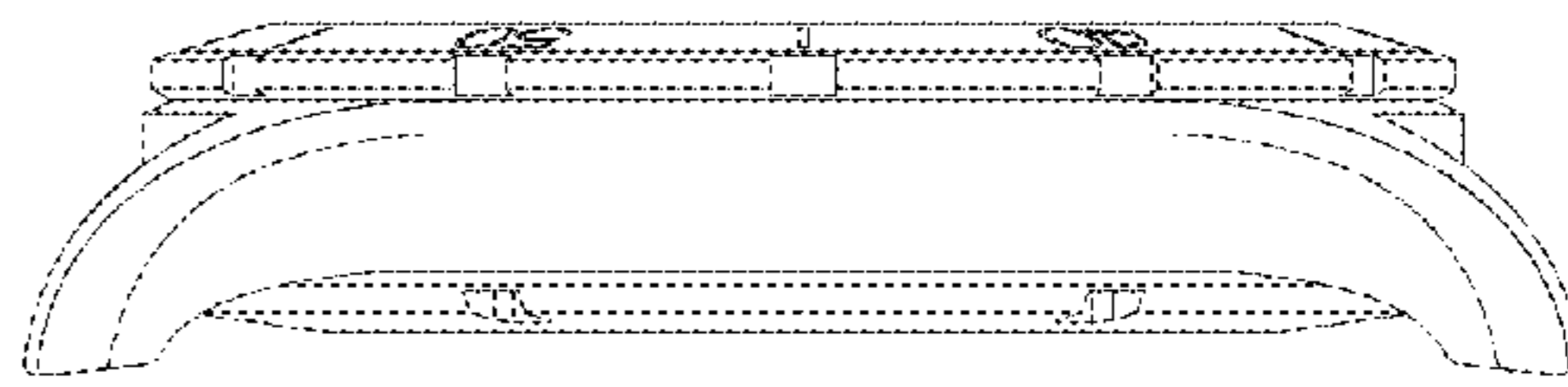


Fig. 4

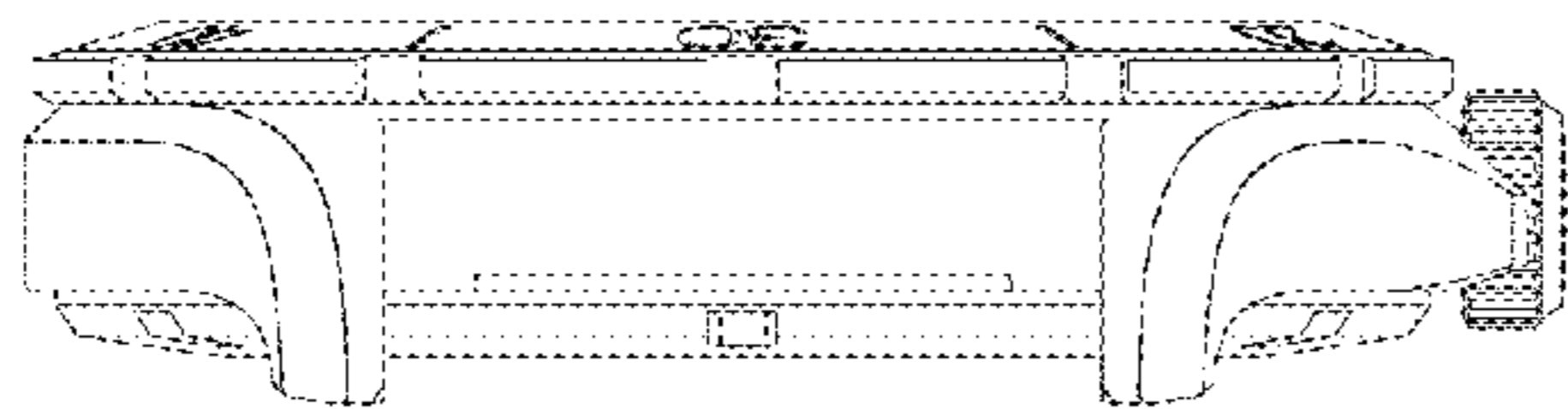


Fig. 5

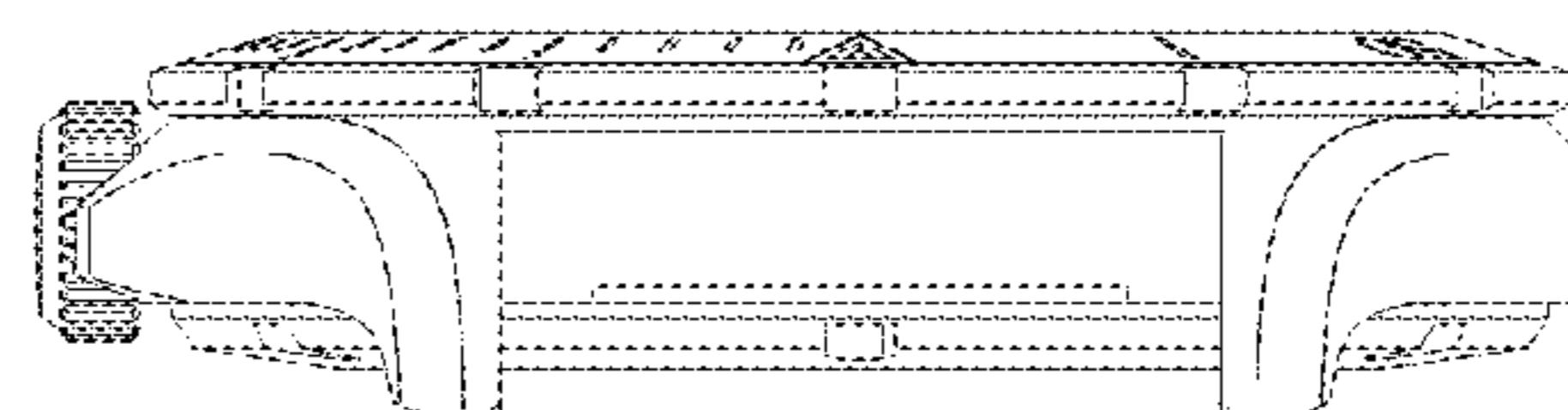


Fig. 6

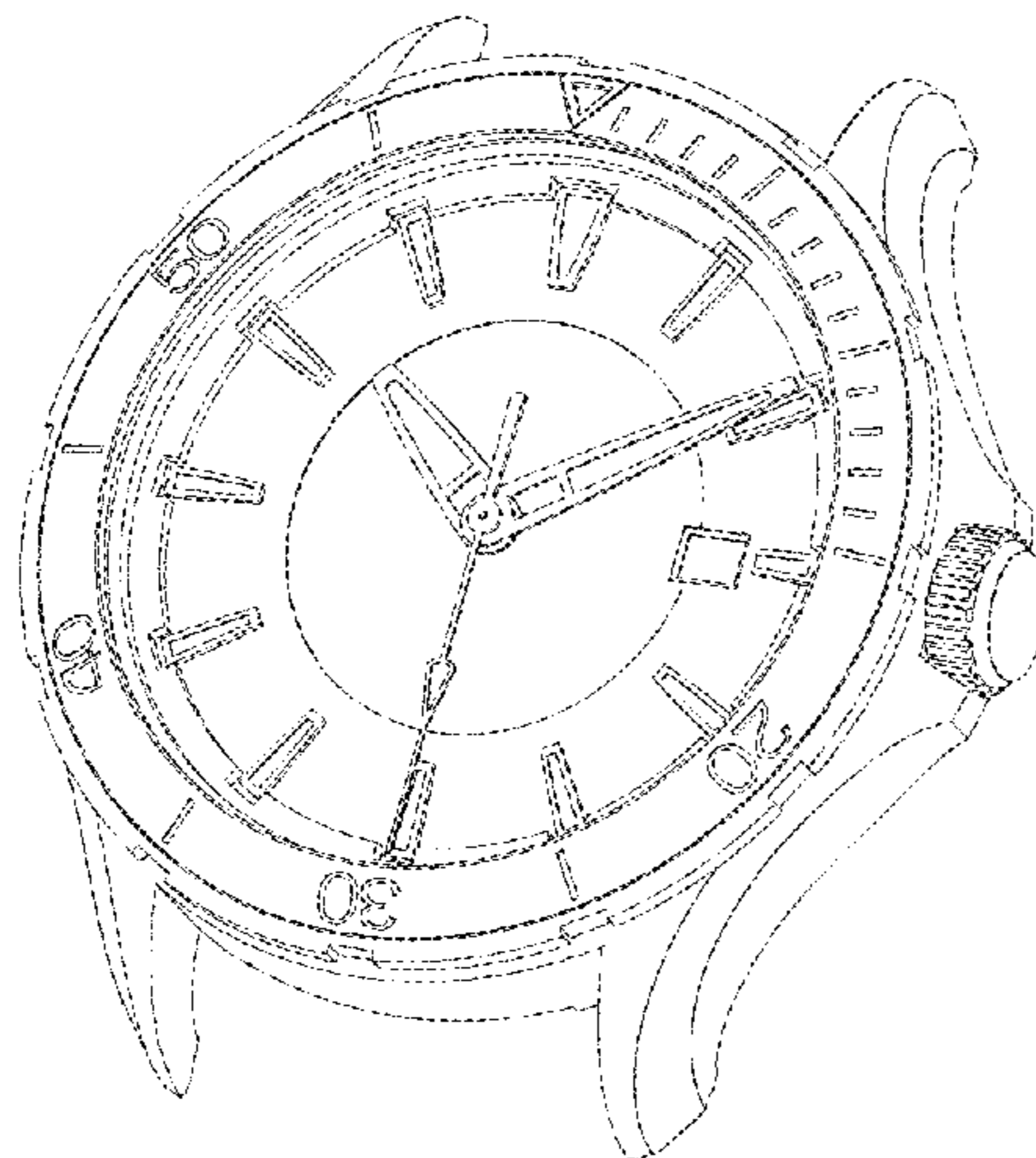


Fig. 7

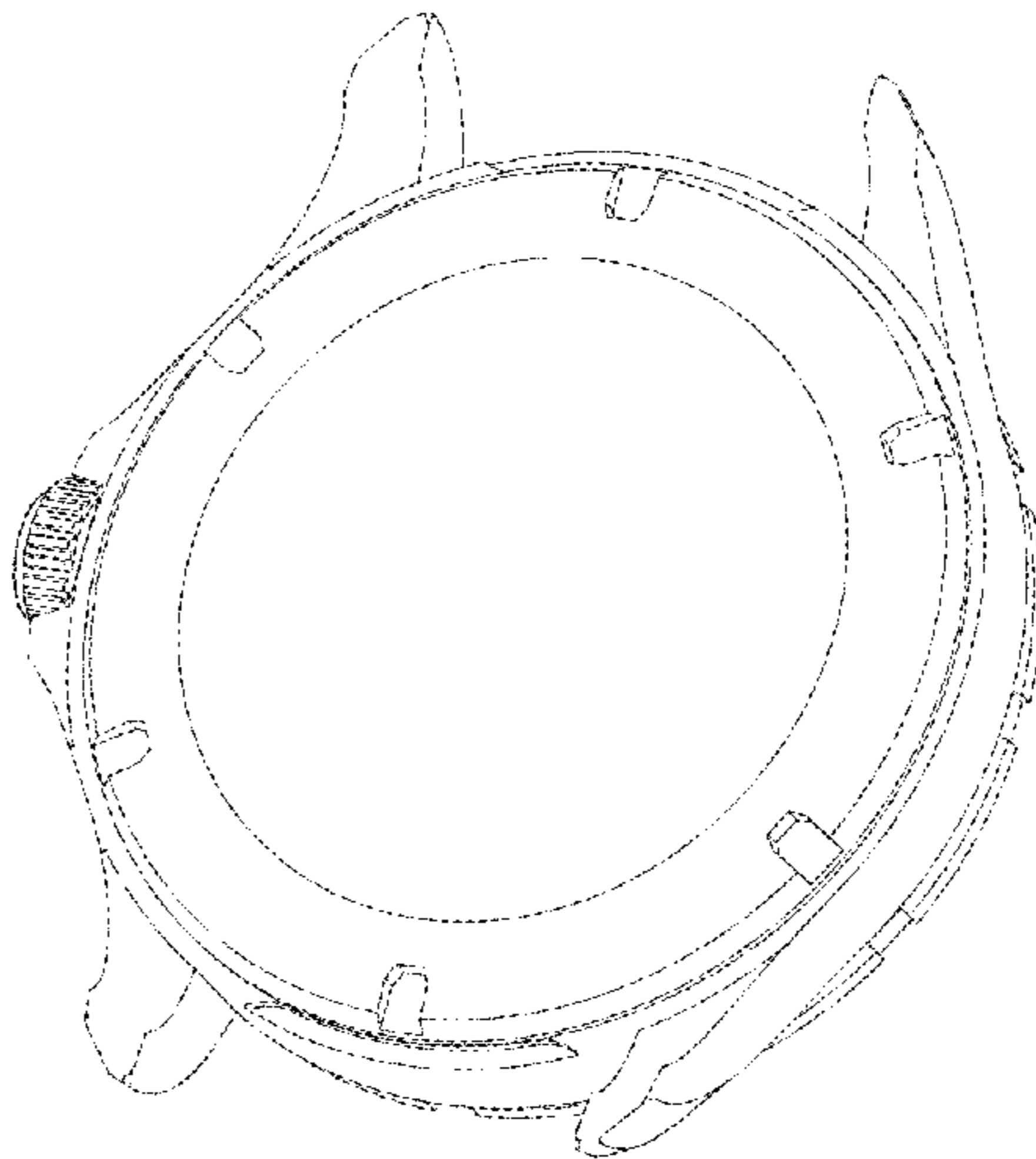


Fig. 8