

US00D840843S

(12) **United States Design Patent**
Lucido

(10) **Patent No.:** **US D840,843 S**

(45) **Date of Patent:** **** Feb. 19, 2019**

(54) **STORAGE CONTAINER SET**

(71) Applicant: **The Tin Box Company of America, Inc.**, Farmingdale, NY (US)

(72) Inventor: **Dominick Lucido**, Fort Salonga, NY (US)

(73) Assignee: **The Tin Box Company of America, Inc.**, Farmingdale, NY (US)

(**) Term: **15 Years**

(21) Appl. No.: **29/581,502**

(22) Filed: **Oct. 19, 2016**

(51) **LOC (11) Cl.** **09-01**

(52) **U.S. Cl.**
USPC **D9/772**

(58) **Field of Classification Search**
USPC D9/447, 502, 766, 767, 772, 777, 778
CPC ... B65D 1/00; B65D 1/02; B65D 1/12; B65D 1/14; B65D 1/40; B65D 1/44; B65D 1/023; B65D 1/0223; B65D 1/165; B65D 1/238; B65D 1/246; B65D 1/253; B65D 7/04; B65D 21/0209; B65D 21/0233; B65D 25/00; B65D 25/28; B65D 41/0457; B65D 41/17; B65D 53/06; B65D 75/56; B65D 79/005; B65D 2501/0036; B65D 2543/00064; B65D 2543/00074; B65D 2543/00083; B65D 2543/00092; B65D 2543/00101; B65D 2543/00111

See application file for complete search history.

(56) **References Cited**

U.S. PATENT DOCUMENTS

D278,800 S	*	5/1985	Bowen	D9/500
D310,628 S	*	9/1990	Rayner	D9/532
D367,612 S	*	3/1996	Shaw	D9/504
D585,304 S	*	1/2009	Alvares	D9/778

(Continued)

OTHER PUBLICATIONS

Catalog for The Tin Box Company of America, 2016; tinboxco.com (24 pages).

Primary Examiner — Michael A. Pratt

(74) *Attorney, Agent, or Firm* — Greenberg Traurig, LLP

(57) **CLAIM**

An ornamental design for a storage container set, as shown and described.

DESCRIPTION

FIG. 1 is a front perspective view of a first embodiment of a storage container set showing my new design, the outer walls of the cylinders of the container set being transparent as shown;

FIG. 2 is a top plan view thereof;

FIG. 3 is a bottom plan view thereof;

FIG. 4 is a front side elevational view thereof;

FIG. 5 is a left side elevational view thereof, the right side elevational view being a mirror image of the left side elevational view;

FIG. 6 is a rear side elevational view thereof;

FIG. 7 is a front perspective view of a second embodiment of a storage container set, the outer walls of the cylinders of the container set being opaque as shown;

FIG. 8 is a front side elevational view thereof;

FIG. 9 is a left side elevational view thereof, the right side elevational view being a mirror image of the left side elevational view;

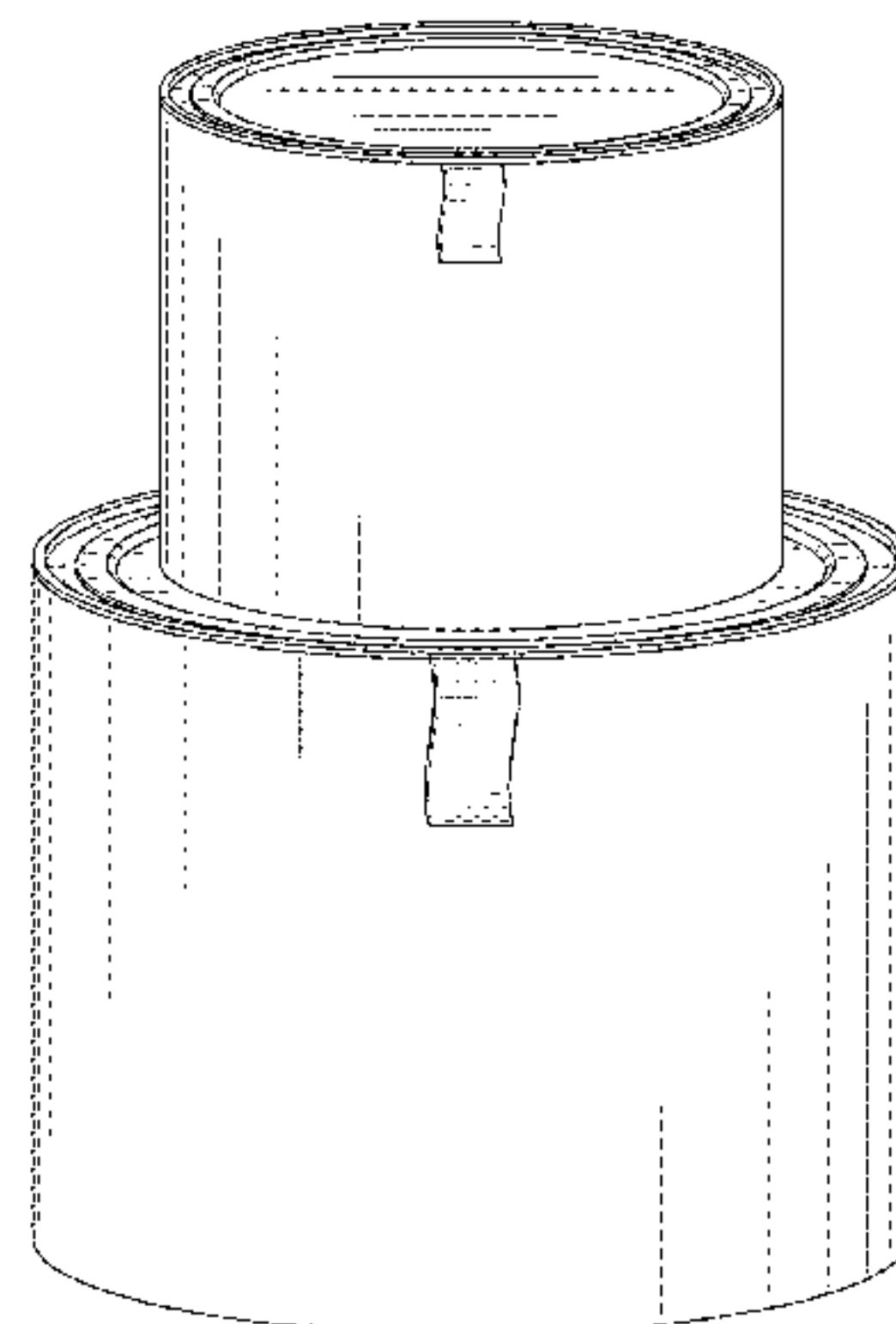
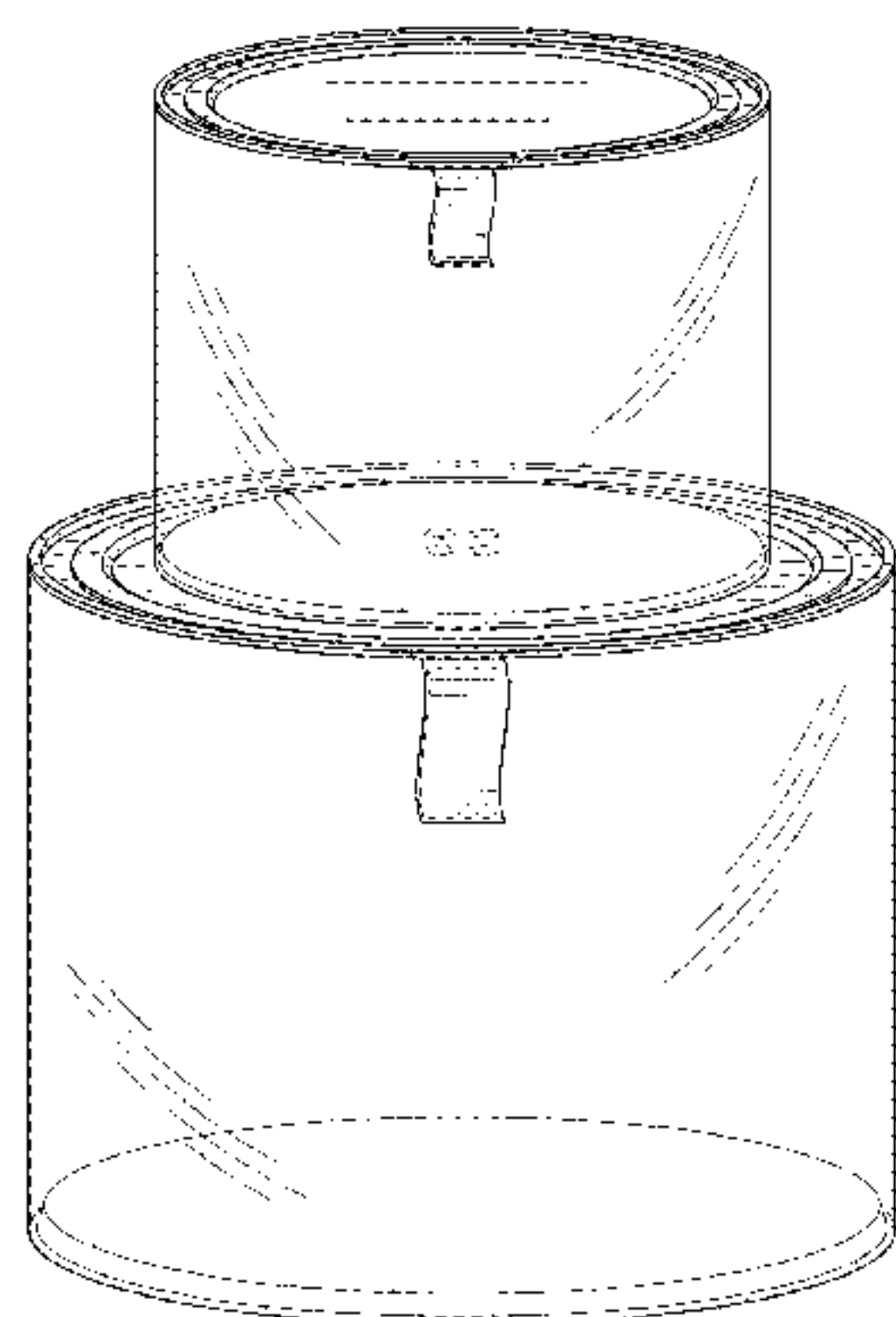
FIG. 10 is a rear side elevational view thereof;

FIG. 11 is a front perspective view of a third embodiment of a storage container set, the outer walls of the cylinders of the container set being transparent as shown; and,

FIG. 12 is a front perspective view of a fourth embodiment of a storage container set, the outer walls of the cylinders of the container set being transparent as shown.

The features shown in broken lines are for illustrative purposes and form no part of the claimed design.

1 Claim, 11 Drawing Sheets



(56)

References Cited

U.S. PATENT DOCUMENTS

D585,305 S *	1/2009	Alvares	D9/780
D746,156 S *	12/2015	Bondioli	D9/772
D768,510 S *	10/2016	Swenson	D9/779
D814,317 S *	4/2018	Ehrlich	B65D 85/00 D9/779
D822,498 S *	7/2018	Sutcliffe	D9/645

* cited by examiner

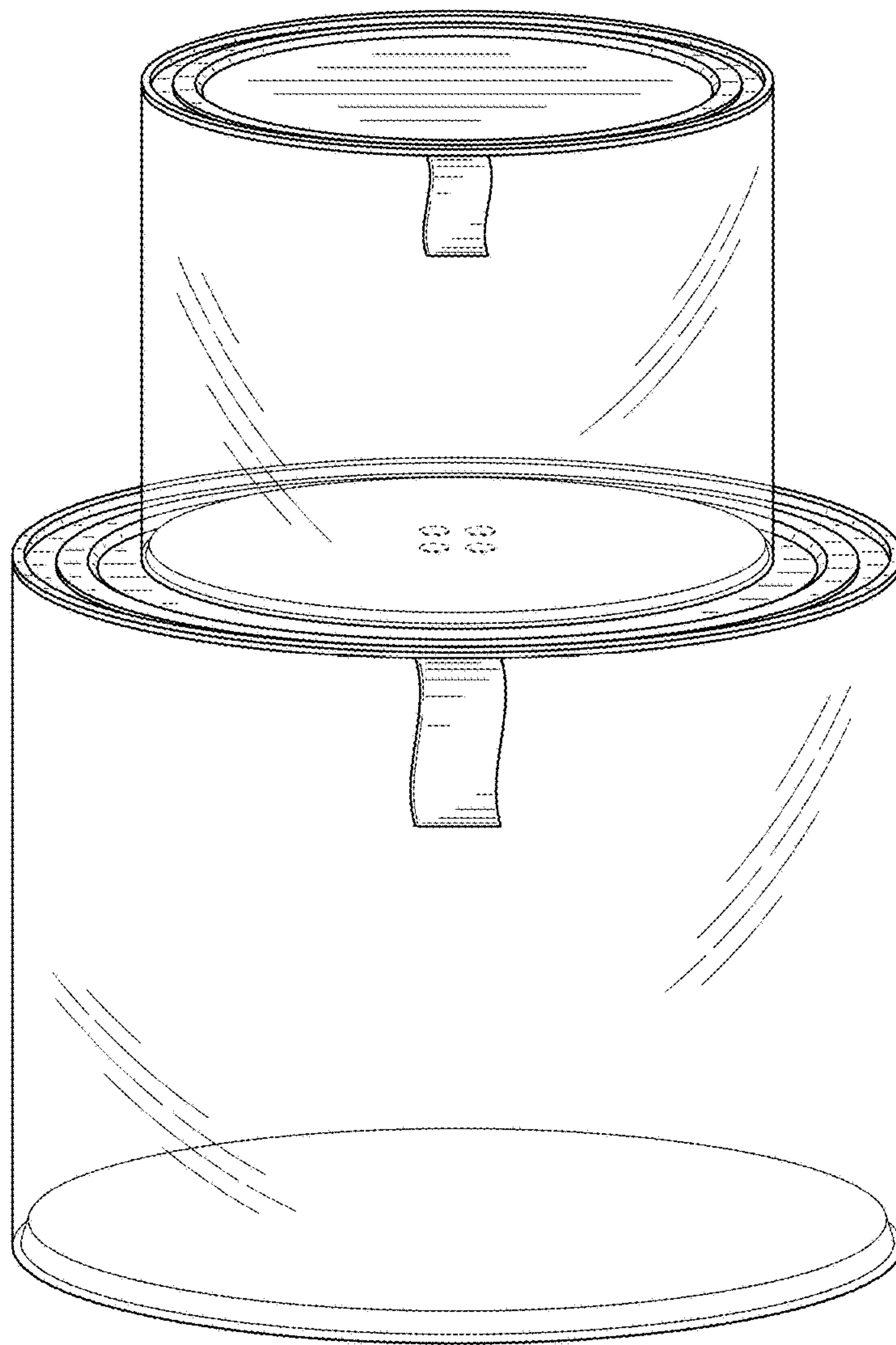


FIG. 1

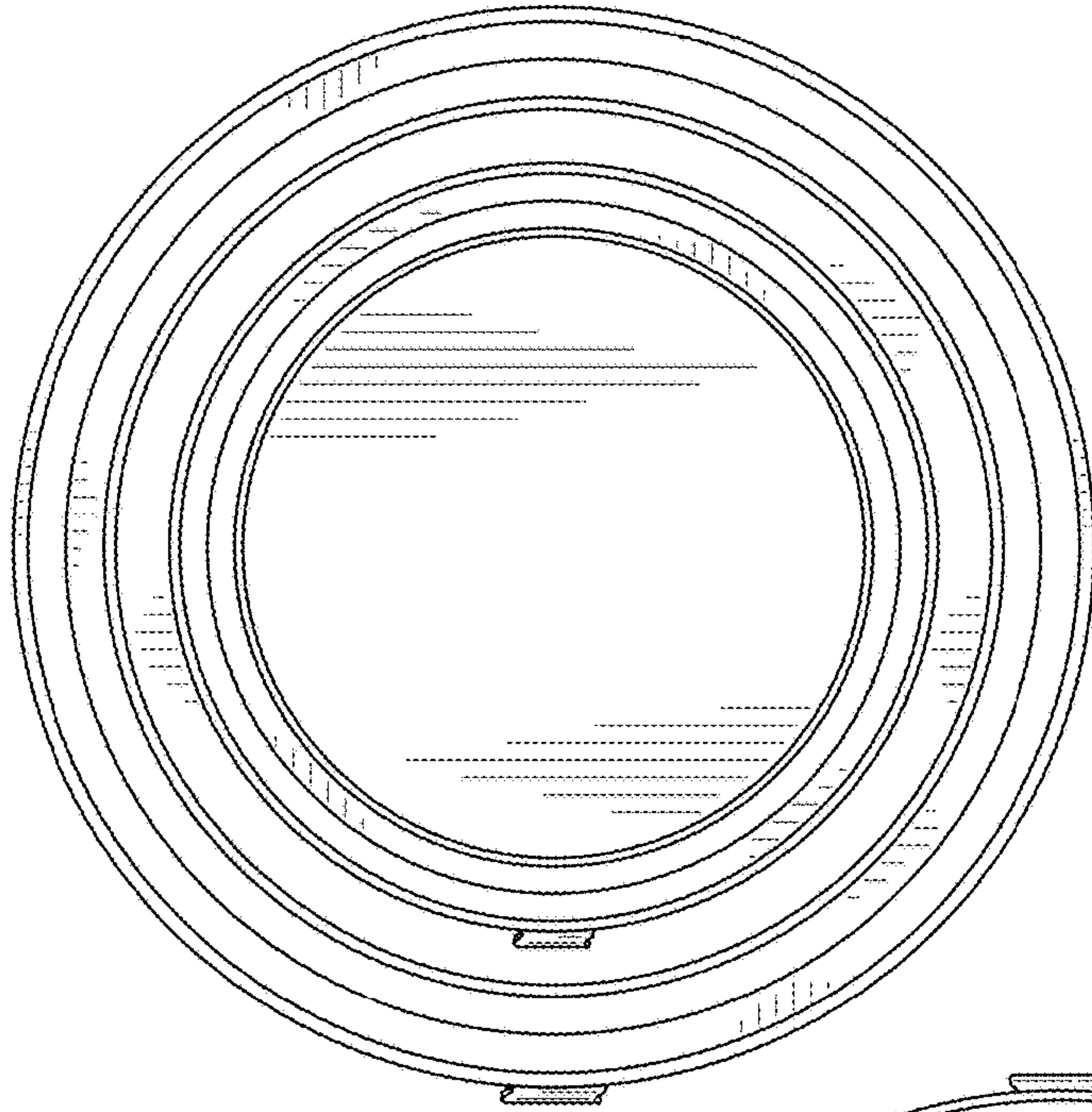


FIG. 2

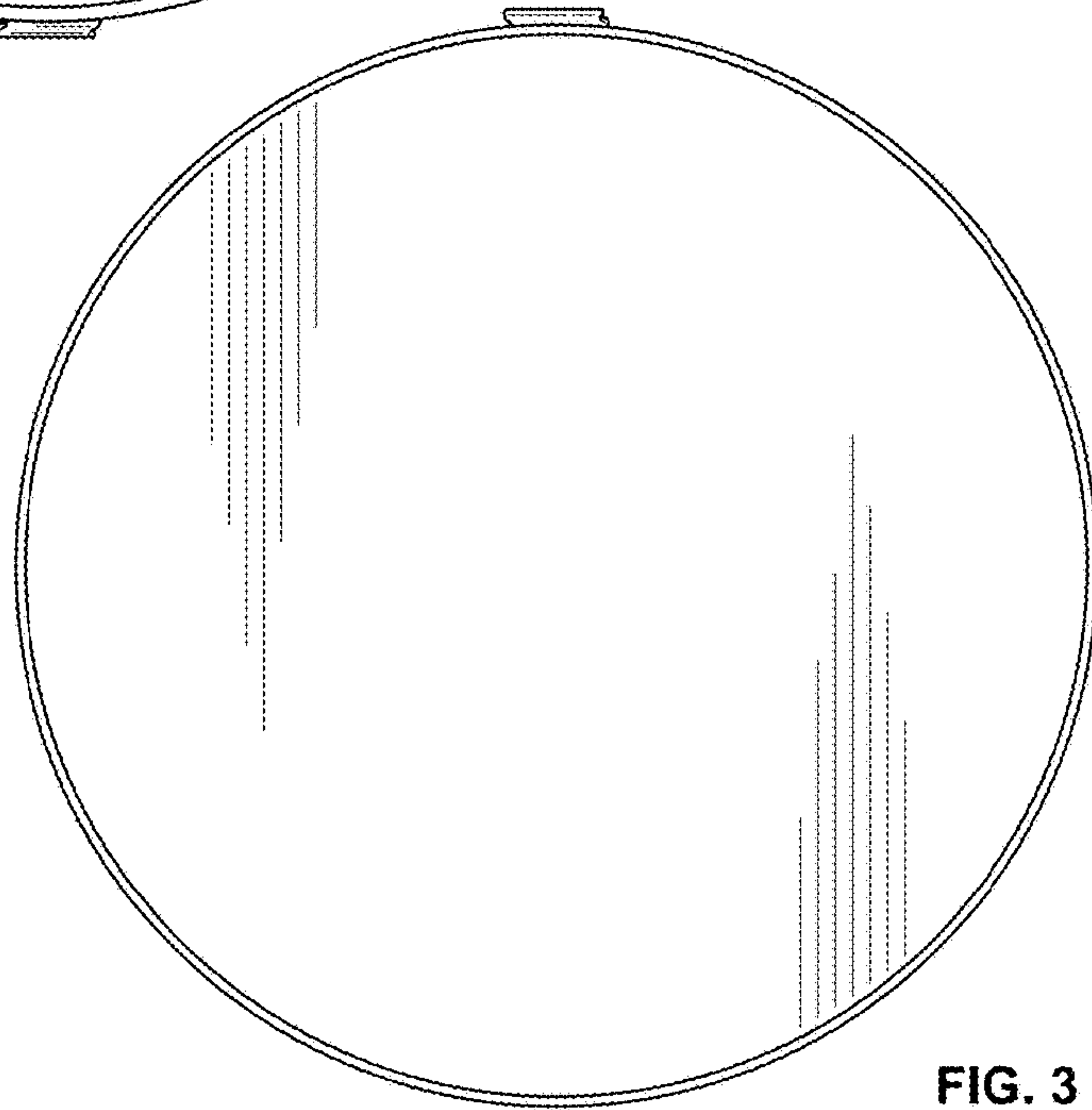


FIG. 3

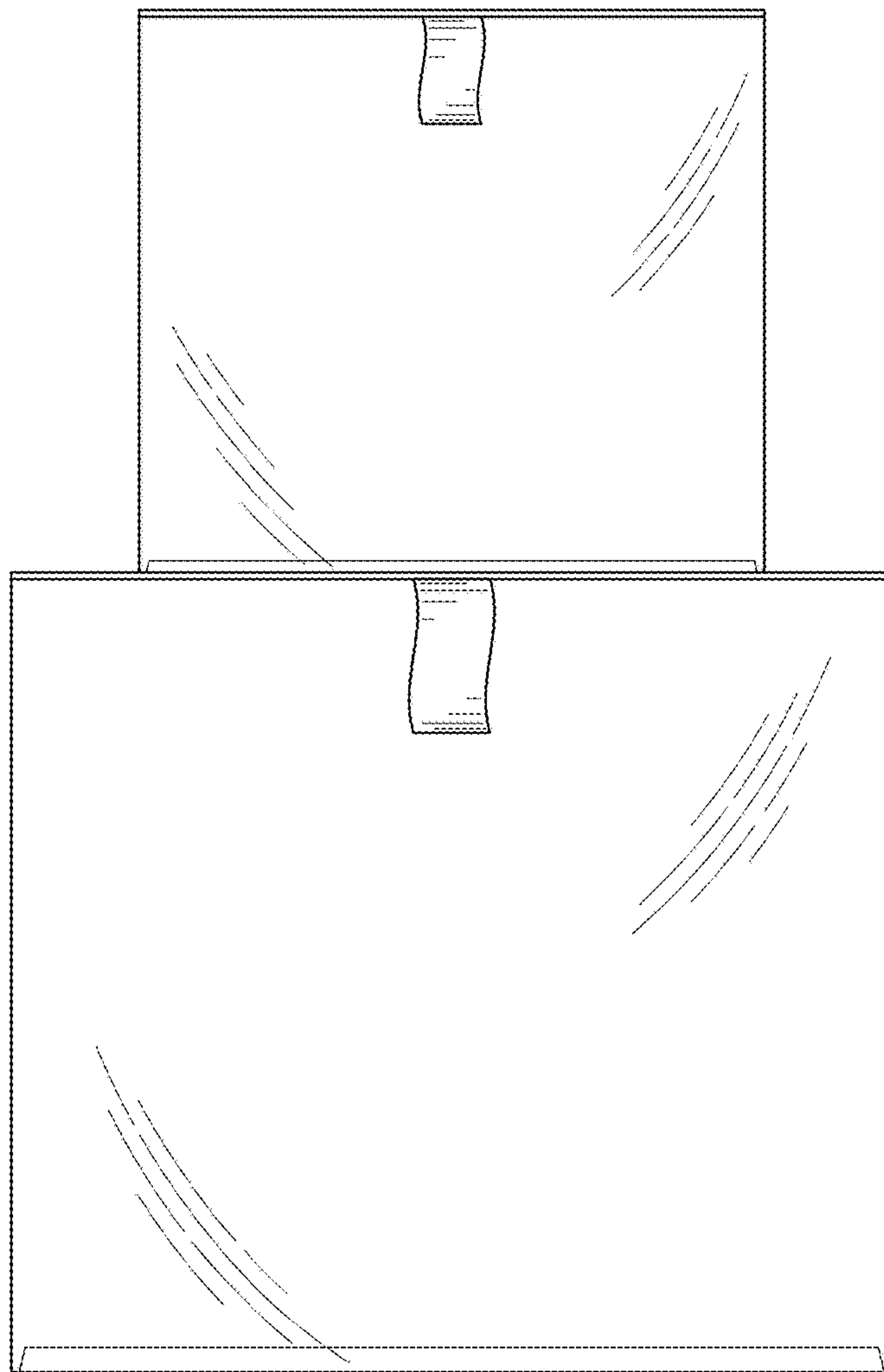


FIG. 4

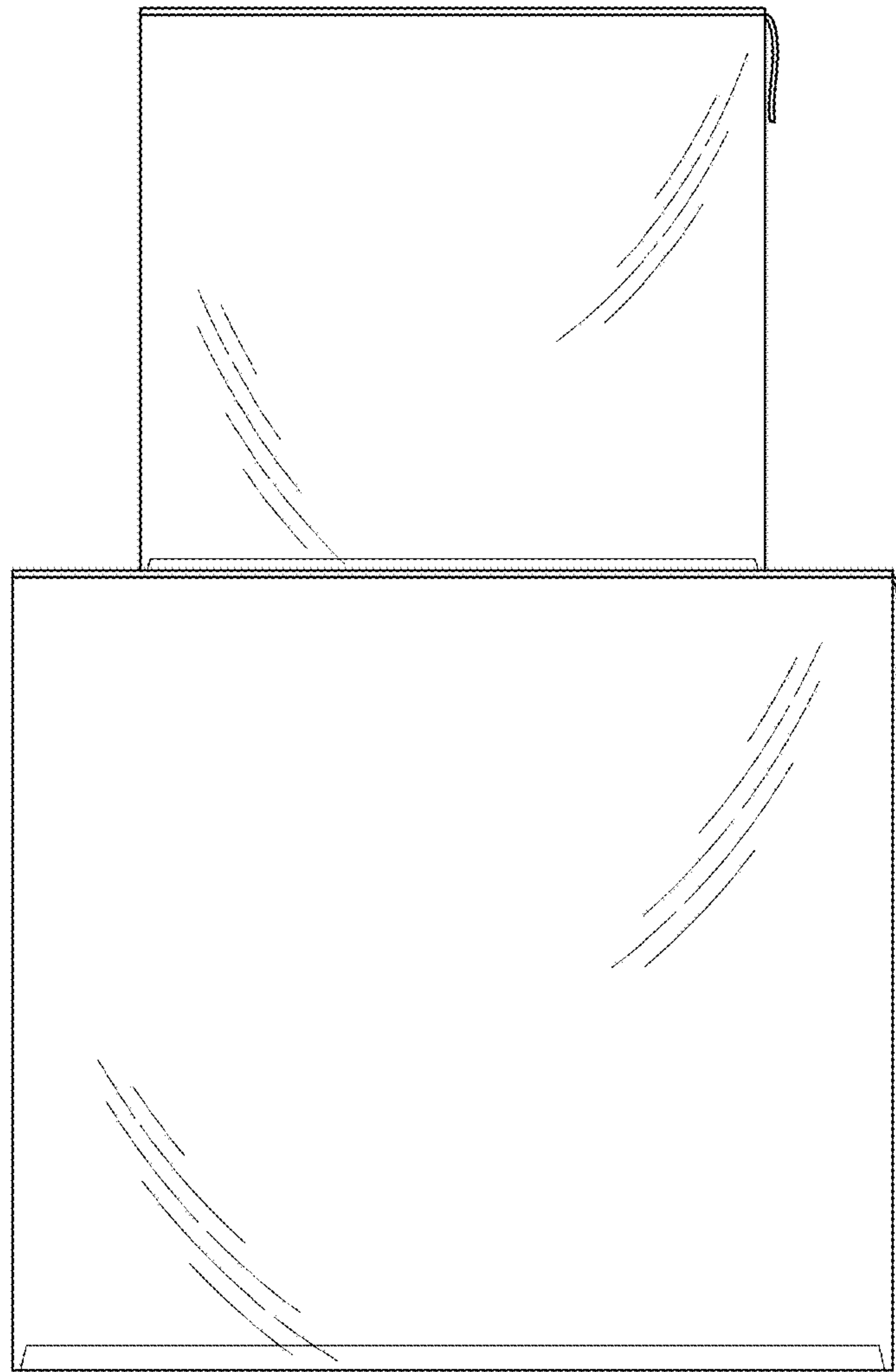


FIG. 5

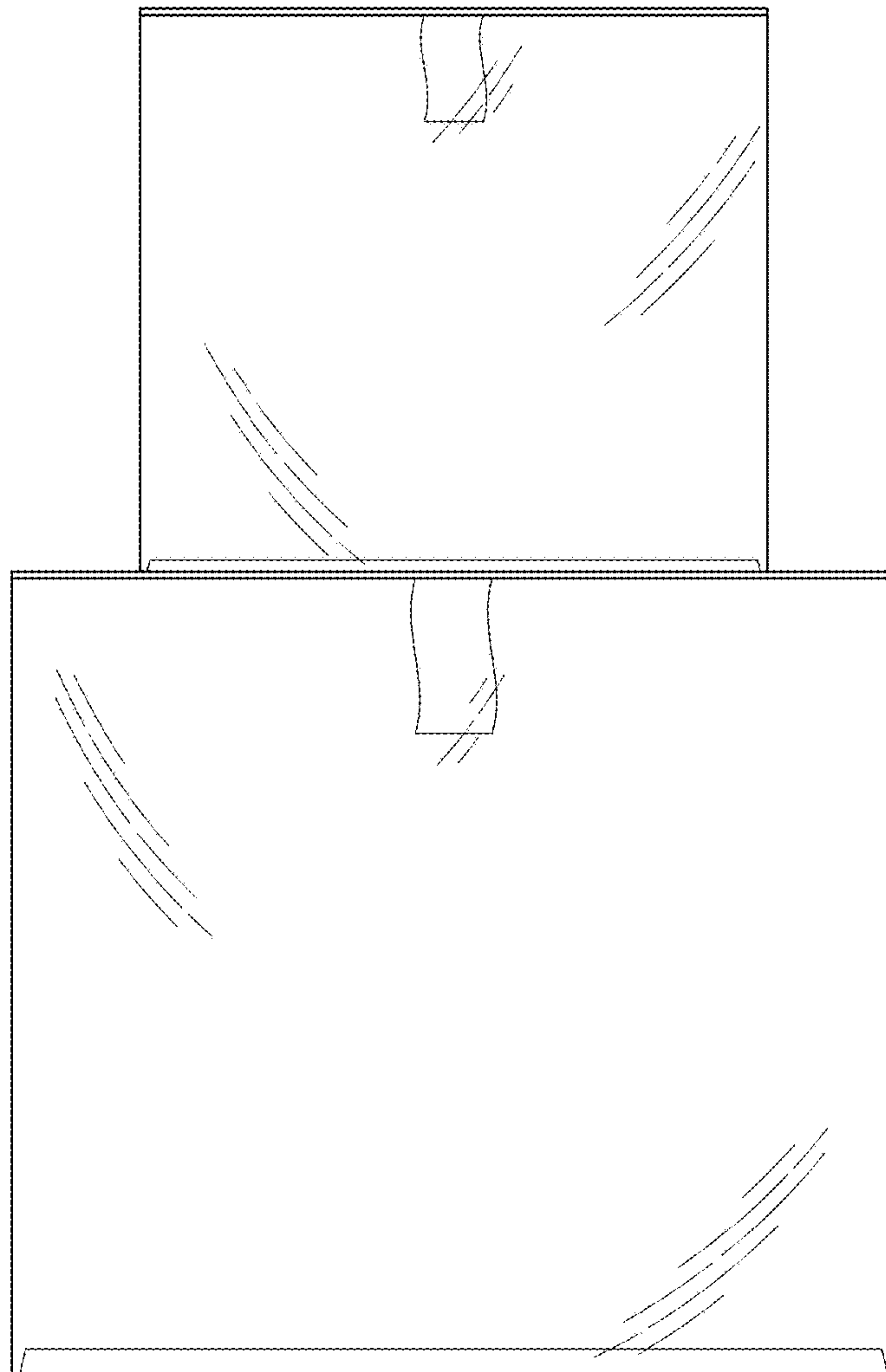


FIG. 6

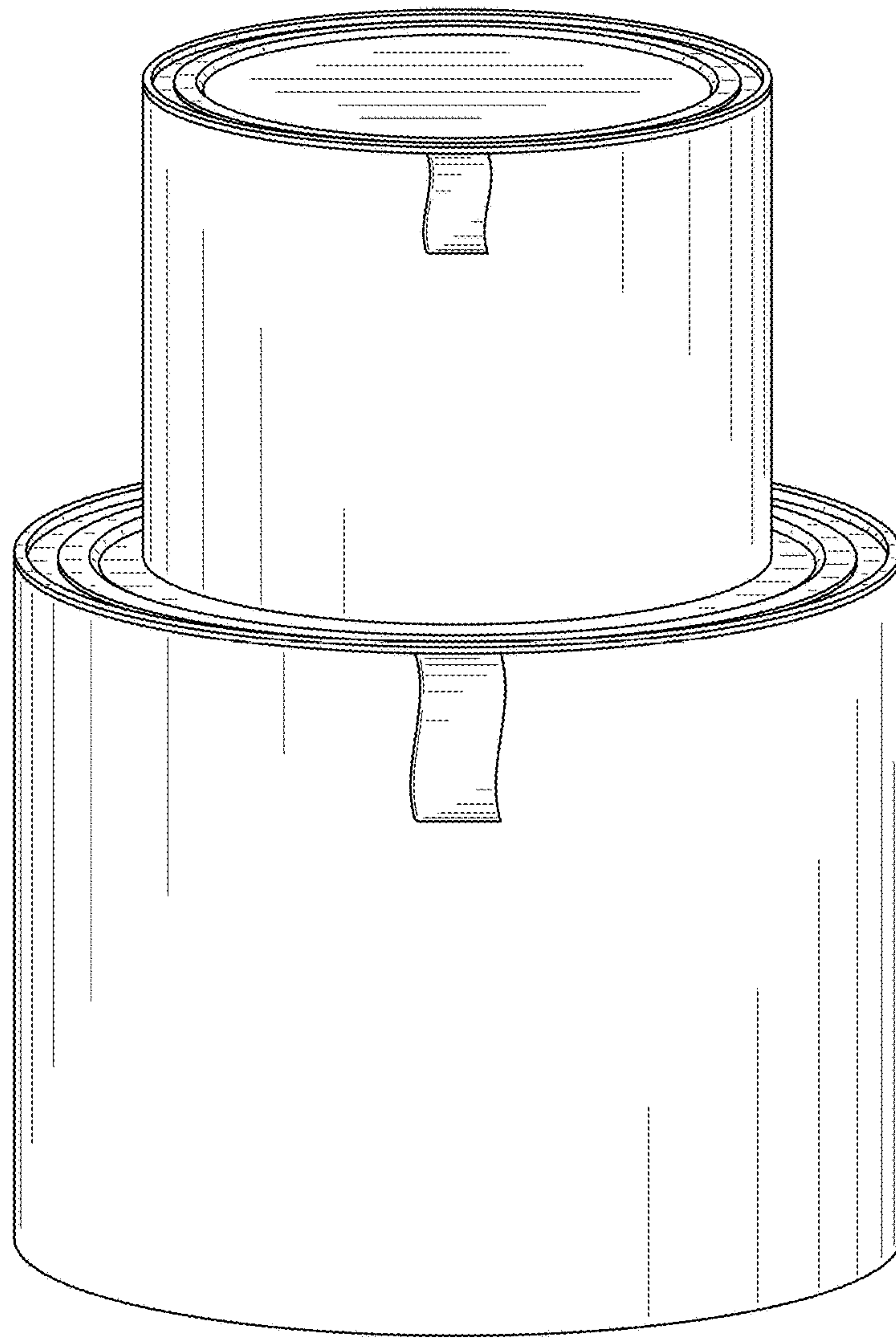


FIG. 7

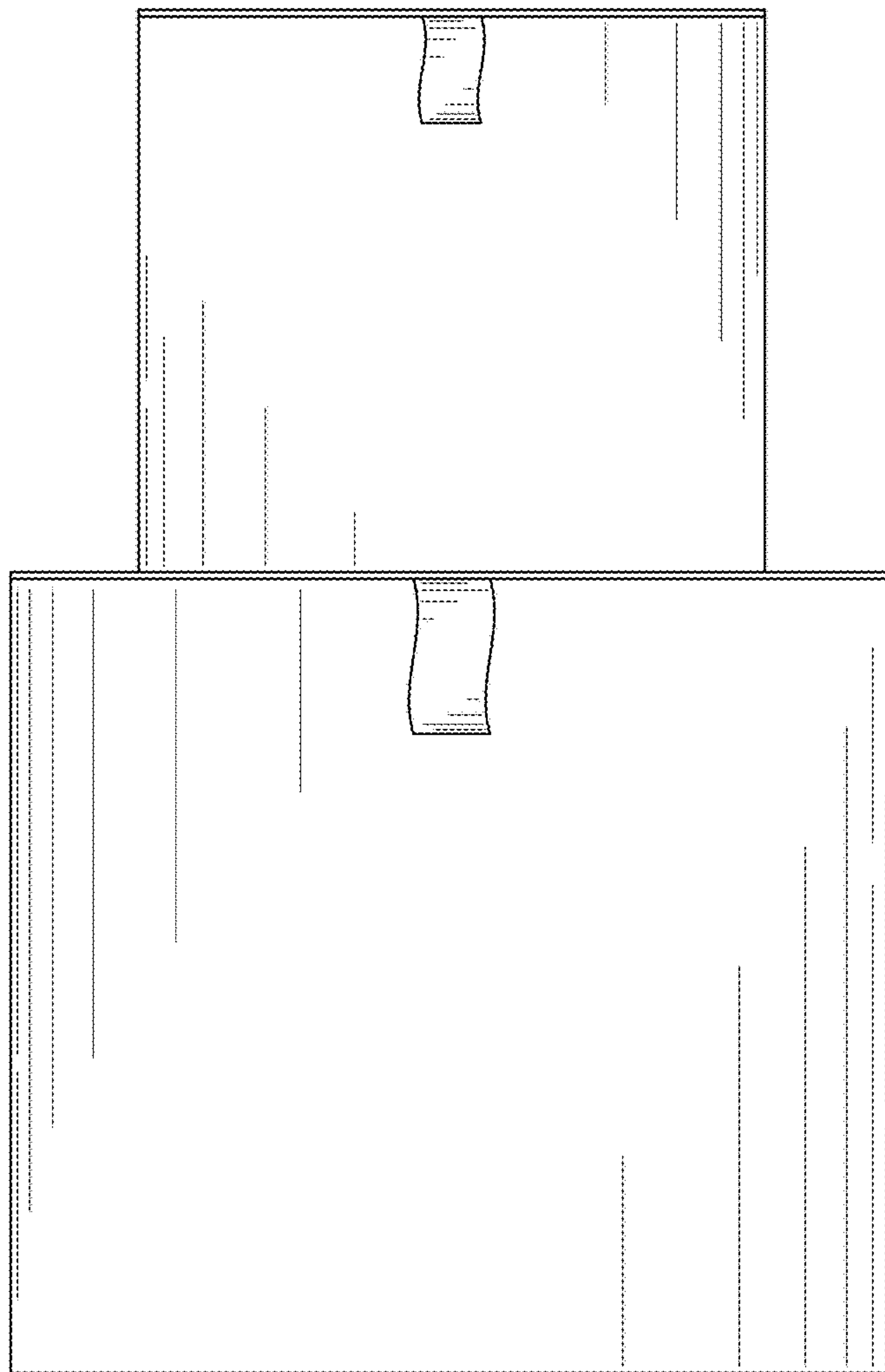


FIG. 8

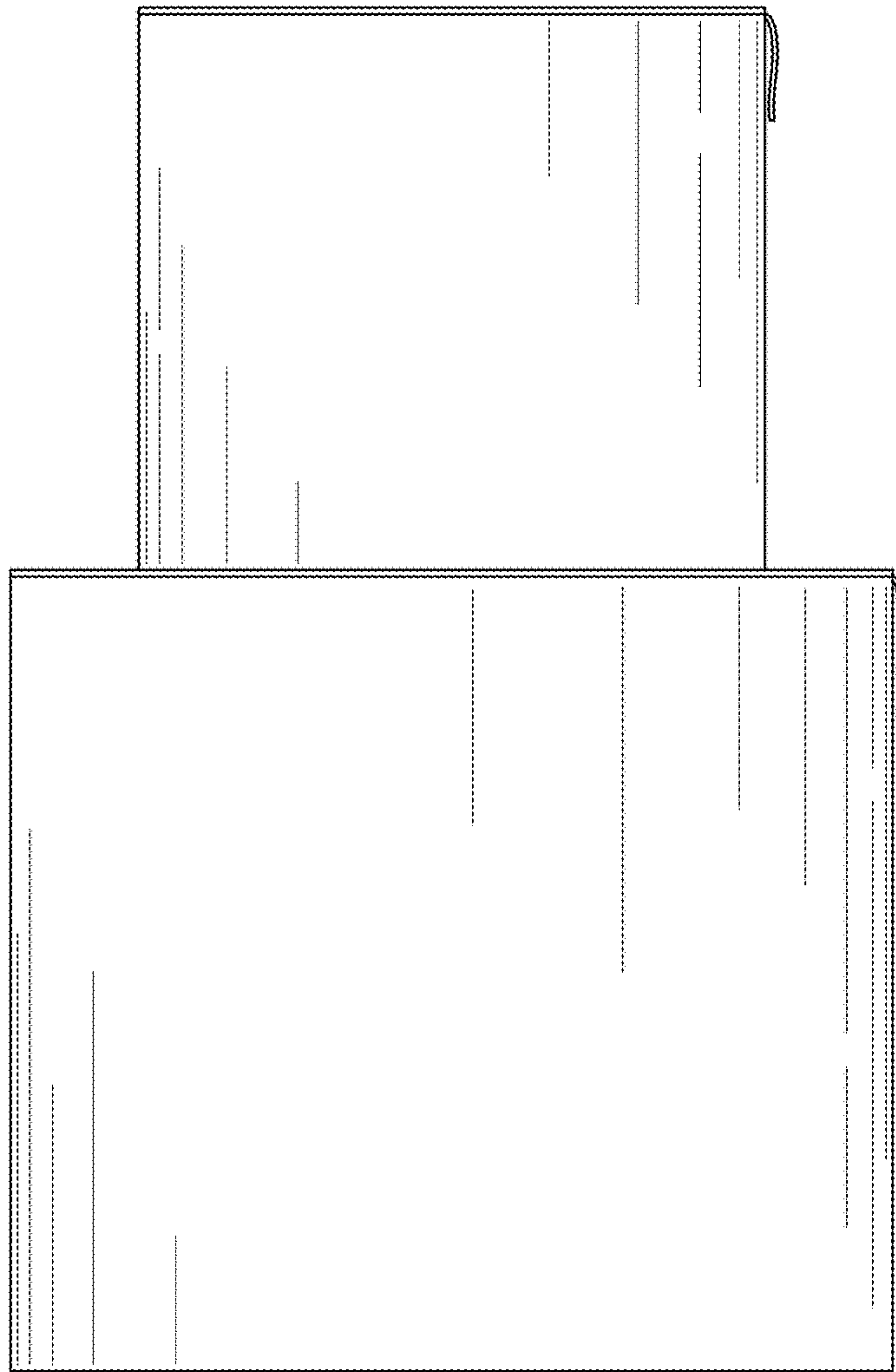


FIG. 9

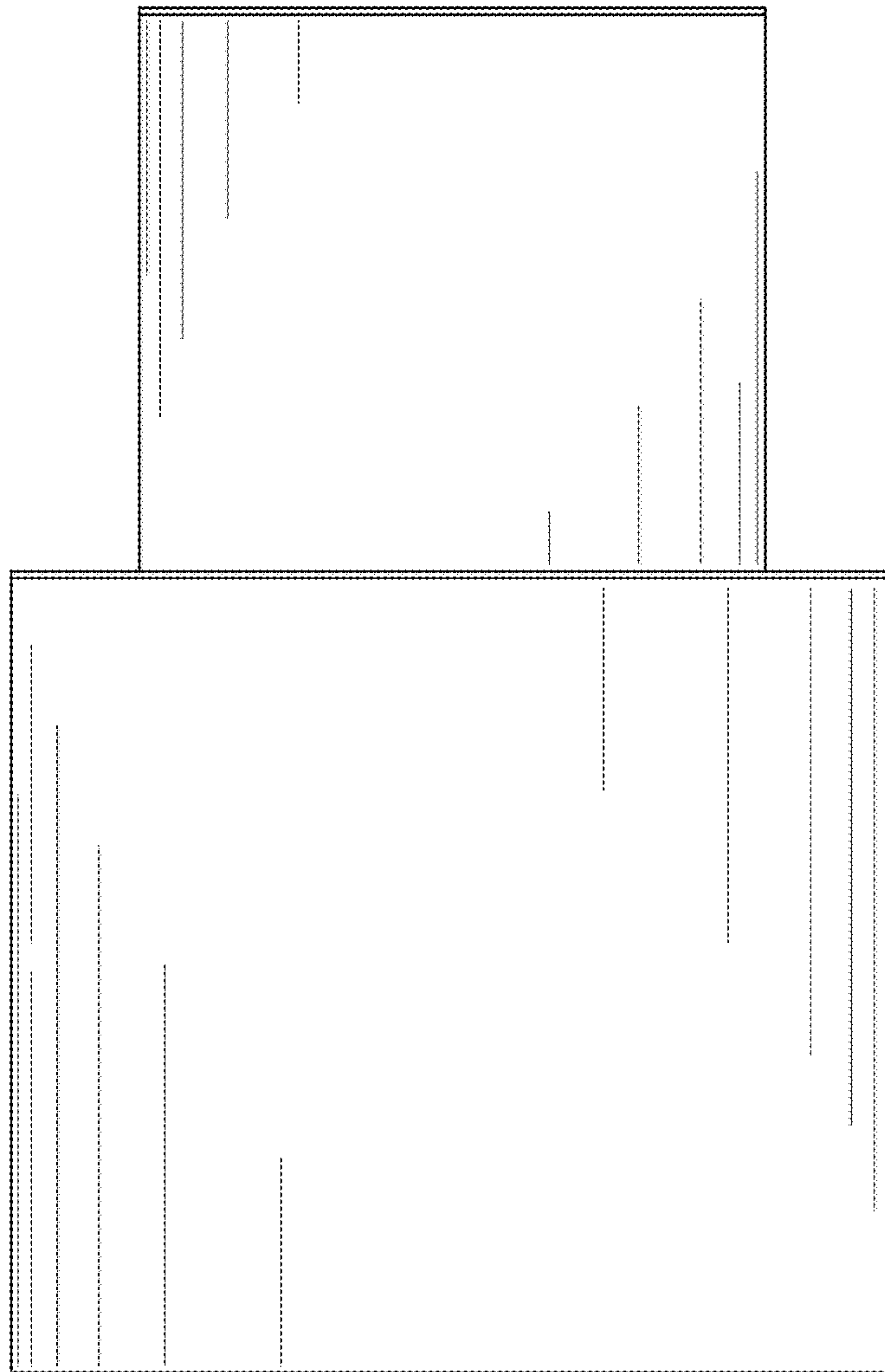


FIG. 10

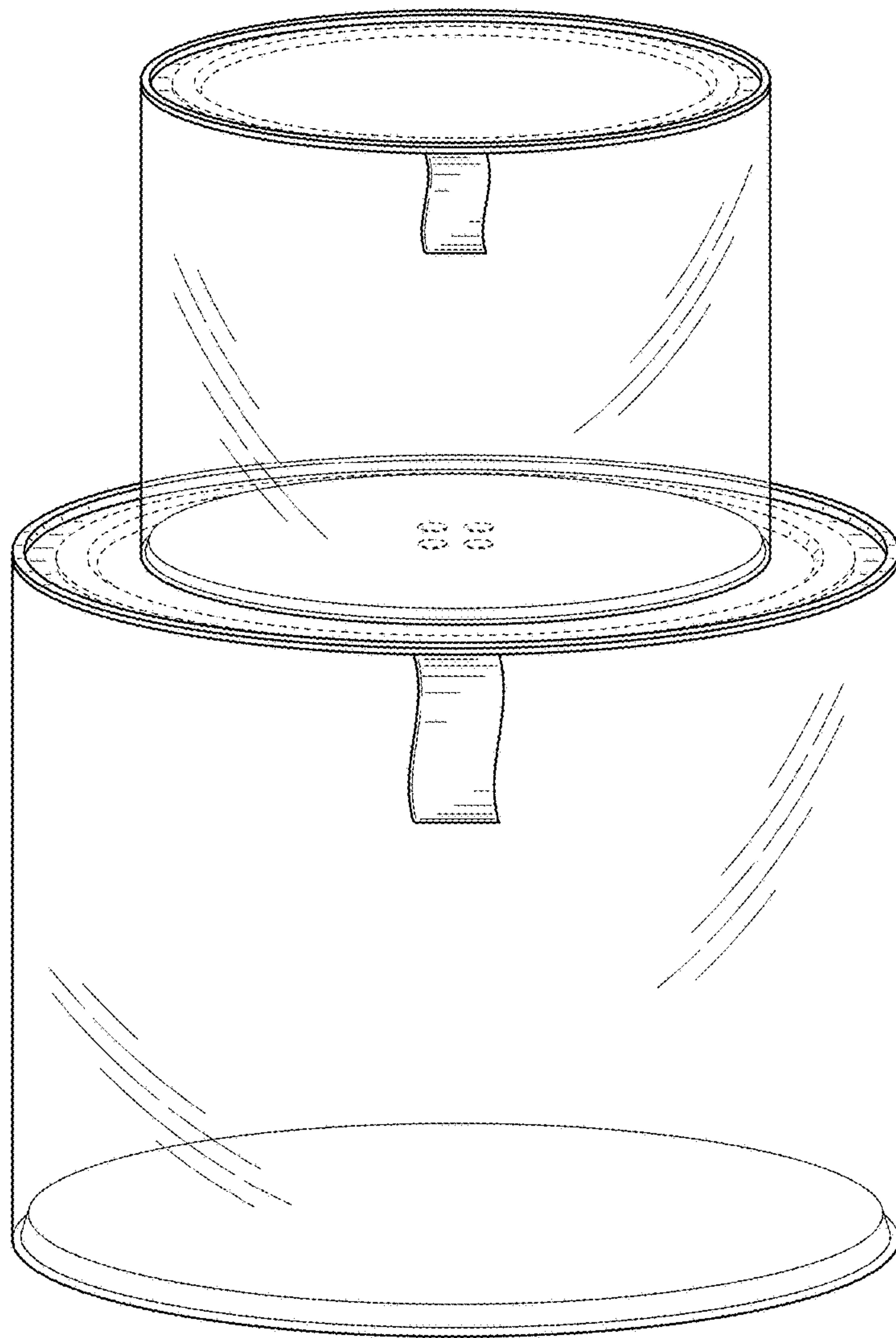


FIG. 11

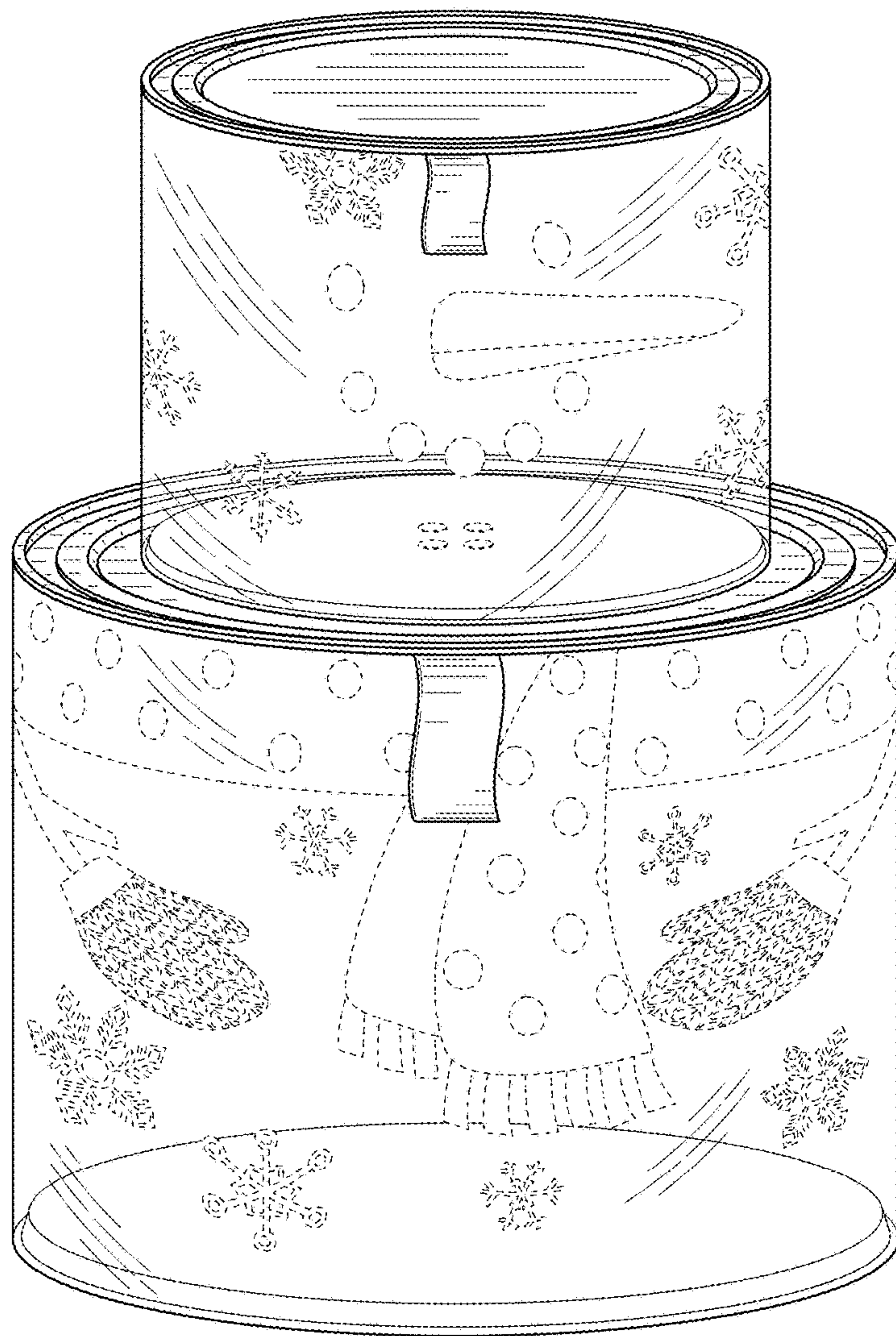


FIG. 12