



US00D840841S

(12) **United States Design Patent**
Appendini et al.

(10) **Patent No.:** **US D840,841 S**

(45) **Date of Patent:** **** Feb. 19, 2019**

(54) **MULTI-COMPARTMENT RECLOSEABLE RIGID DOMED PACKAGE**

D3/903, 905; 206/488, 457, 776, 551,
206/754, 755, 804, 817, 589, 579;
229/902, 904, 906, 406, 407, 903, 110;

(Continued)

(71) Applicant: **The Quaker Oats Company**, Chicago, IL (US)

(72) Inventors: **Paola Appendini**, Northbrook, IL (US); **David Block**, Brooklyn, NY (US); **Paulette Bluhm-Sauriol**, Grandview, NY (US); **Ryan Boudreaux**, Yorktown Heights, NY (US); **Peter Brian Clarke**, Newtown, CT (US); **Rebecca Eley**, Brooklyn, NY (US); **Geoffrey Gibbins**, Brooklyn, NY (US); **Eric Thomas Henderson**, Chicago, IL (US); **James J. Maki**, McHenry, IL (US); **Jorge W. Maldonado**, Frisco, TX (US); **Donald E. McCumber**, Madison, WI (US); **Megan Sklanka**, New York, NY (US); **James Troy Starkey**, North Haven, CT (US)

(56)

References Cited

U.S. PATENT DOCUMENTS

3,307,603 A * 3/1967 Swett A47J 47/10
220/780
3,744,663 A * 7/1973 Moren B65D 11/10
206/446

(Continued)

OTHER PUBLICATIONS

Sabert Square Catering Tray with Lid Black Platter Clear Dome, [site visited Nov. 19, 2018]. Available from internet, <URL: <https://www.walmart.com/ip/Sabert-UltraStack-Thermoformed-Disposable-Square-Catering-Tray-with-Lid-Black-Platter-Clear-Dome-11-Length-x-11-Width-x-3-06-Height-25-Case/155491295> (Year: 2018).*

(Continued)

(73) Assignee: **The Quaker Oats Company**, Chicago, IL (US)

Primary Examiner — Cathron C Brooks

Assistant Examiner — W. A. Teddy Falloway

(**) Term: **15 Years**

(74) *Attorney, Agent, or Firm* — James R. Gourley; James H. Ortega; Carstens & Cahoon, LLP

(21) Appl. No.: **29/624,756**

(57) **CLAIM**

(22) Filed: **Nov. 3, 2017**

The ornamental design for a multi-compartment recloseable rigid domed package, as shown and described.

(51) **LOC (11) Cl.** **09-03**

DESCRIPTION

(52) **U.S. Cl.**

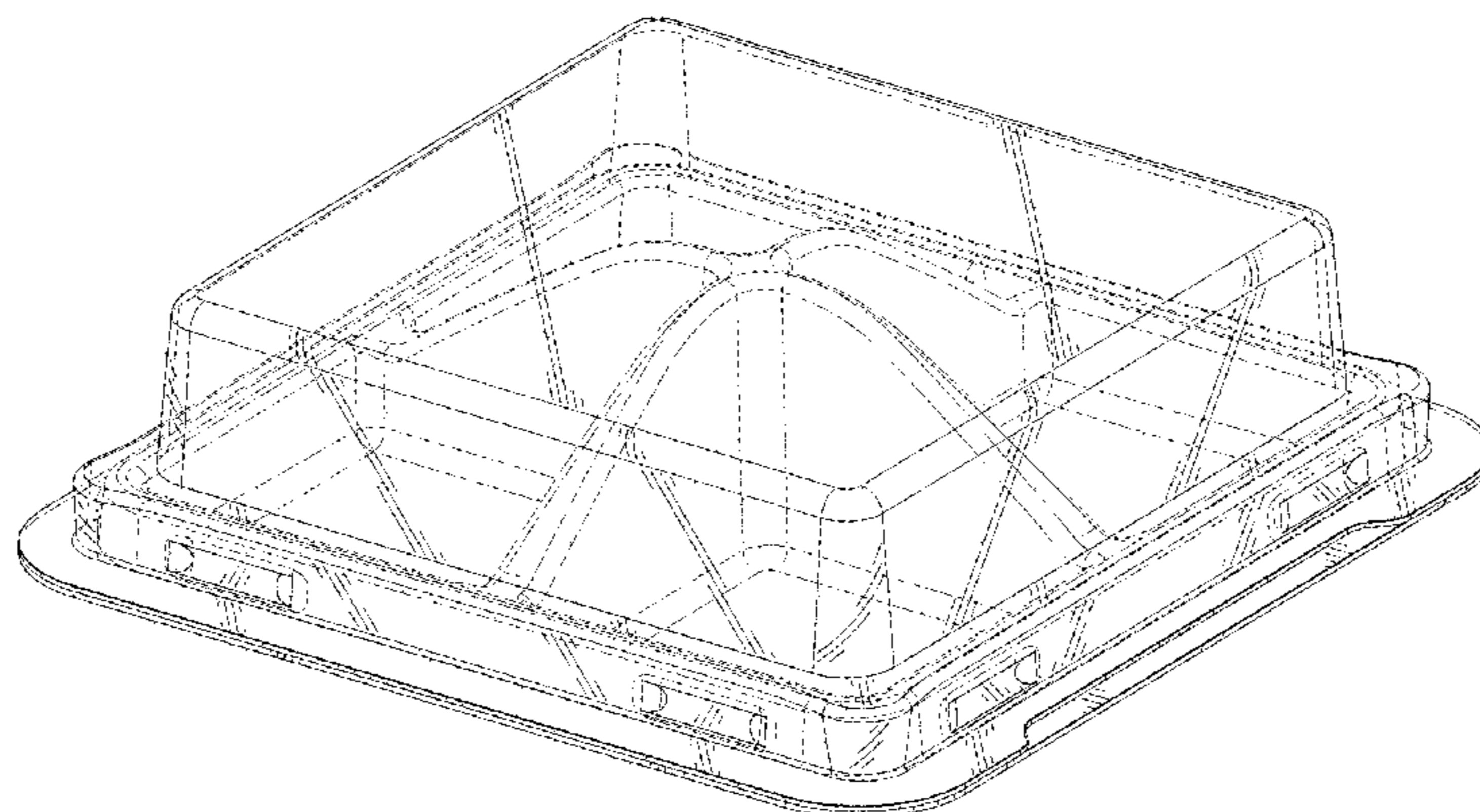
USPC **D9/759**; D9/425; D9/432

(58) **Field of Classification Search**

USPC D9/414, 420-426, 429-432, 434, 737, D9/756-762; D7/538, 540-542, 550.1, D7/553.1-553.3, 554.1, 554.3, 554.4, 555, D7/557, 584, 586, 601, 602, 610, 611, D7/614, 615, 701, 703, 707, 708; D3/206, 270, 294, 273, 203.3, 276, 282, D3/284, 293, 295-298, 302, 315, 901,

FIG. 1 is a front perspective view of the package;
FIG. 2 is a front elevation view of the package;
FIG. 3 is rear elevation view of the package;
FIG. 4 is a right side elevation view of the package;
FIG. 5 is a left side elevation view of the package;
FIG. 6 is a top view of the package; and,
FIG. 7 is a bottom view of the package.

1 Claim, 5 Drawing Sheets



(58) **Field of Classification Search**

USPC 426/106; 220/780, 783, 790, 791, 793,
 220/794, 475, 674, 675, 4.21-4.24, 555,
 220/556, 810, 836, 837, 841, 366.1, 467
 CPC B65D 2543/00296; B65D 2543/00537;
 B65D 2543/00101; B65D 2543/00194;
 B65D 2543/00351; B65D 2543/0062;
 B65D 2543/00731; B65D 2575/368;
 B65D 45/18; B65D 81/3453; B65D 1/36;
 B65D 43/162; B65D 85/60; B65D
 2543/00203; B65D 2543/00425; A23B
 5/00

See application file for complete search history.

(56) **References Cited**

U.S. PATENT DOCUMENTS

D260,844 S * 9/1981 Conti D7/391
 5,201,828 A * 4/1993 Martin B65D 5/2047
 229/125.26
 D398,848 S * 9/1998 Wyslowsky D9/418
 6,076,676 A * 6/2000 Dahl B65D 45/18
 206/467
 D555,475 S * 11/2007 Enriquez D9/432
 D592,018 S * 5/2009 Back D7/629

D643,310 S * 8/2011 Birchmeier D9/425
 D677,150 S * 3/2013 Barbier D9/424
 D679,586 S * 4/2013 Afford D9/425
 D692,297 S * 10/2013 Wintmolders D9/431
 D737,102 S * 8/2015 Hand D7/542
 D742,736 S * 11/2015 Snedden D9/418
 D744,327 S * 12/2015 Snedden D9/418
 D748,469 S * 2/2016 Snedden D9/425
 D798,165 S * 9/2017 Snedden D9/418
 D828,155 S * 9/2018 Mazzuca D9/425
 D831,481 S * 10/2018 McCumber D9/435
 2006/0000842 A1 * 1/2006 Maxwell B65D 43/0208
 220/780
 2009/0045190 A1 * 2/2009 Gutierrez B65D 43/0212
 219/730
 2014/0224804 A1 * 8/2014 Pickering B65D 85/72
 220/270
 2018/0016066 A1 * 1/2018 Strachan B65D 47/32

OTHER PUBLICATIONS

WorldView Renewable and Compostable 1.5in Dome Lid Dome,
 [site visited Nov. 20, 2018]. Available from internet, <URL: https://www.biodegradablestore.com/worldview_sugarcane_take-out_container-9in_square_duplicate_1.html (Year: 2018).*

* cited by examiner

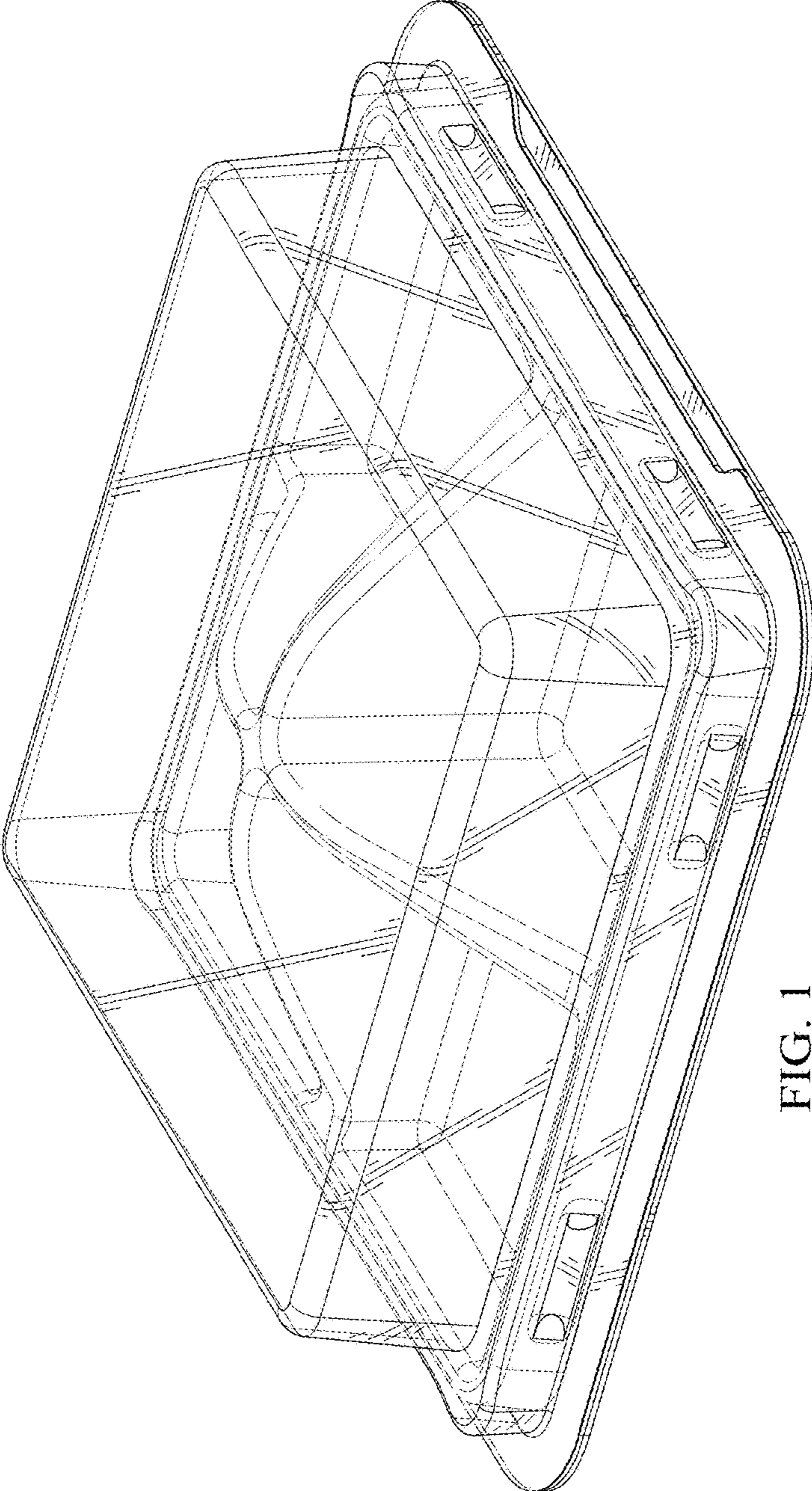


FIG. 1

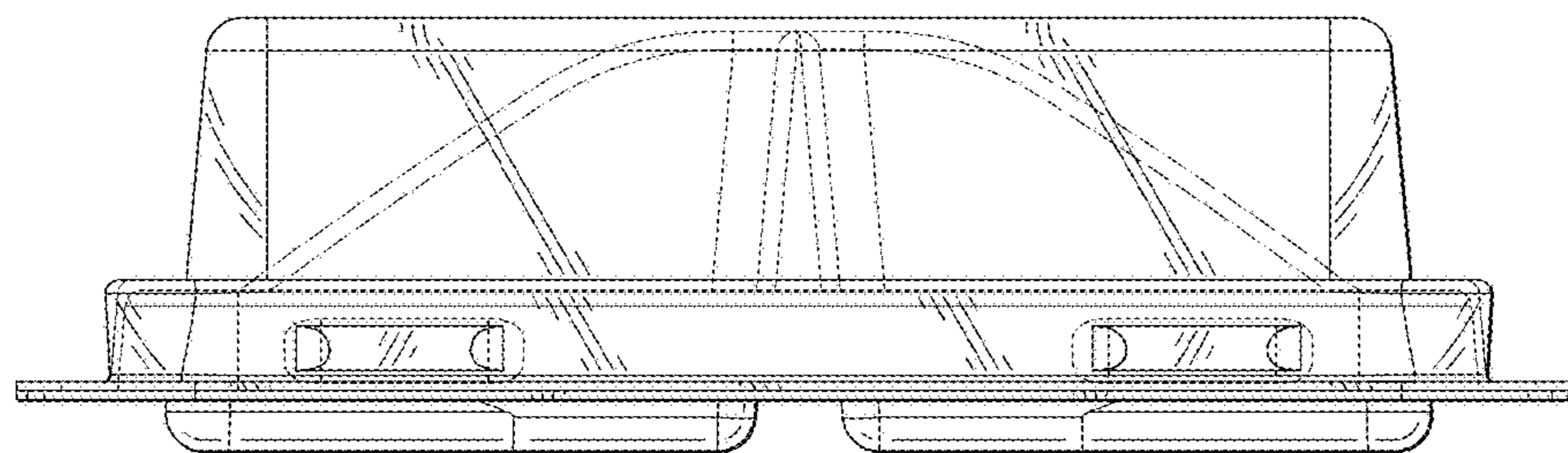


FIG. 2

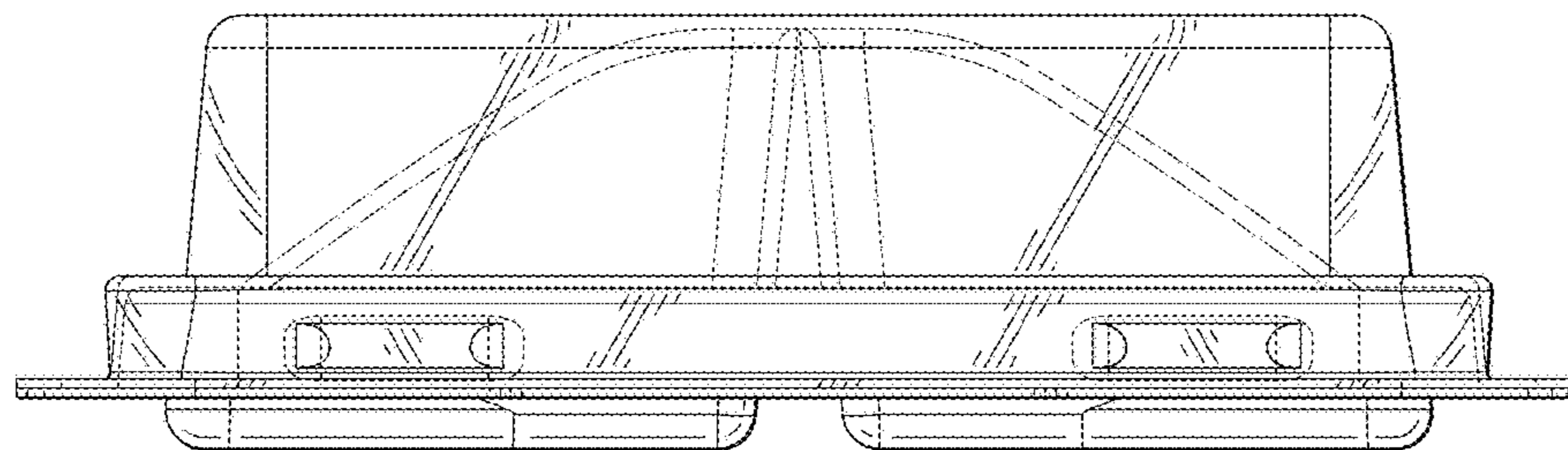


FIG. 3

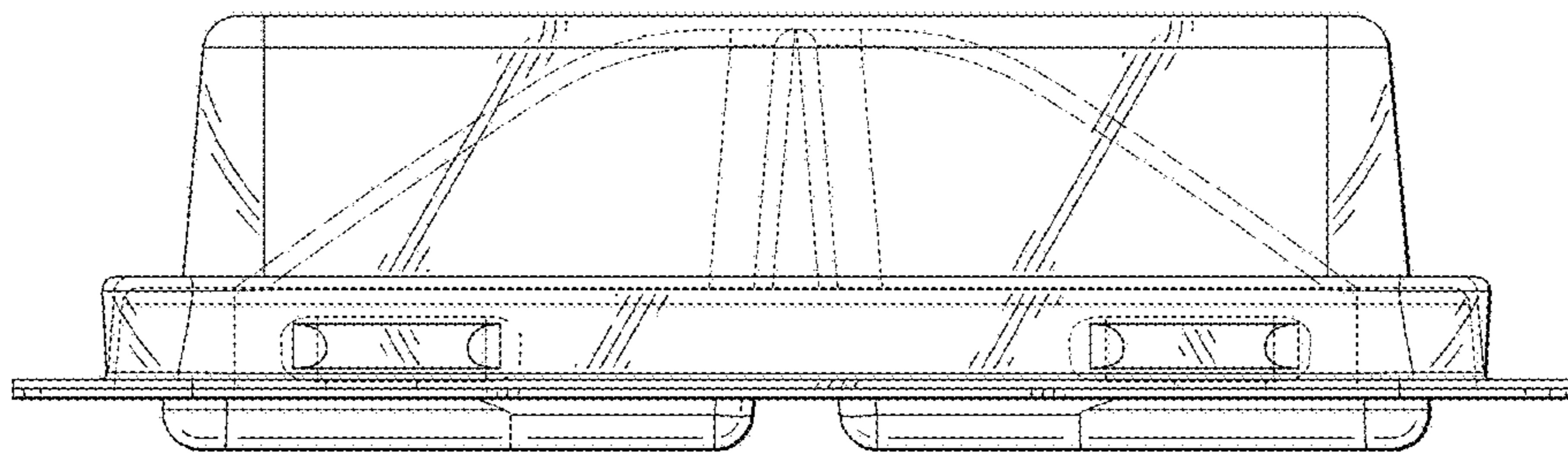


FIG. 4

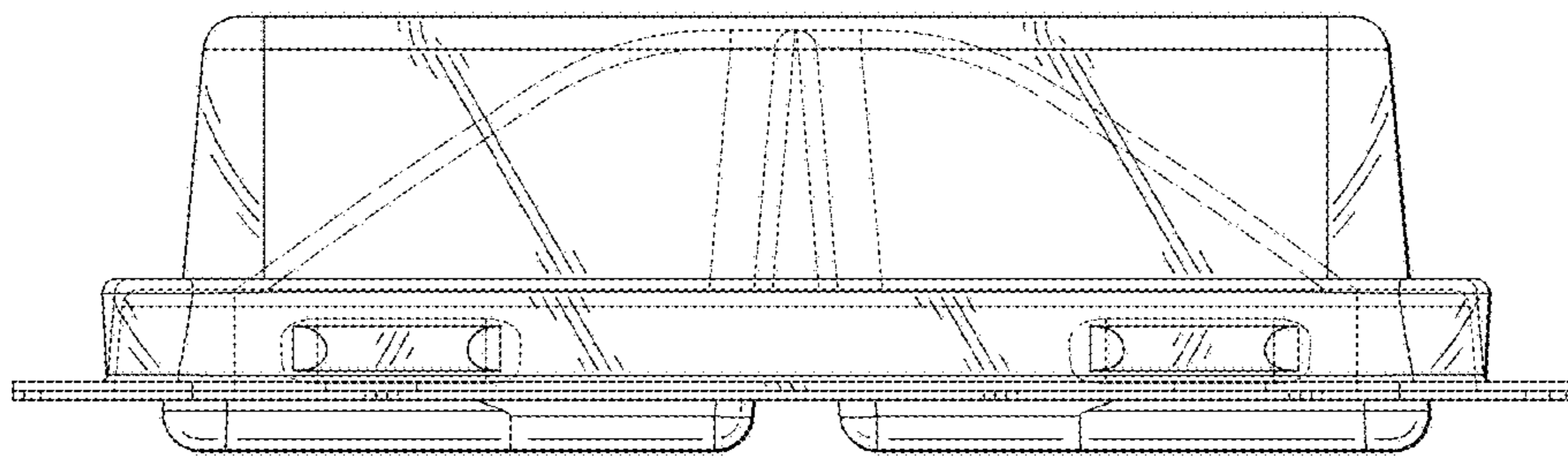


FIG. 5

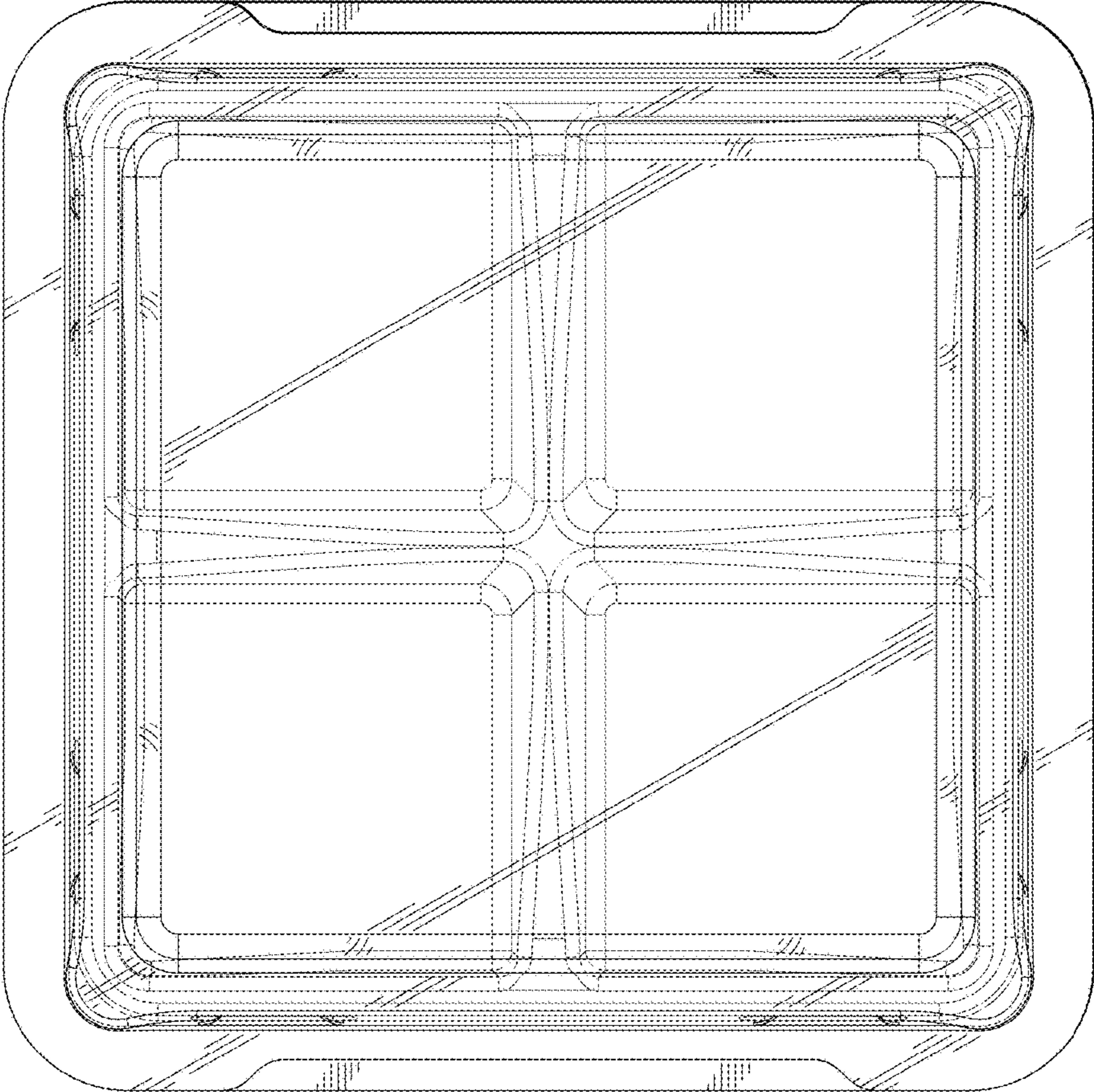


FIG. 6

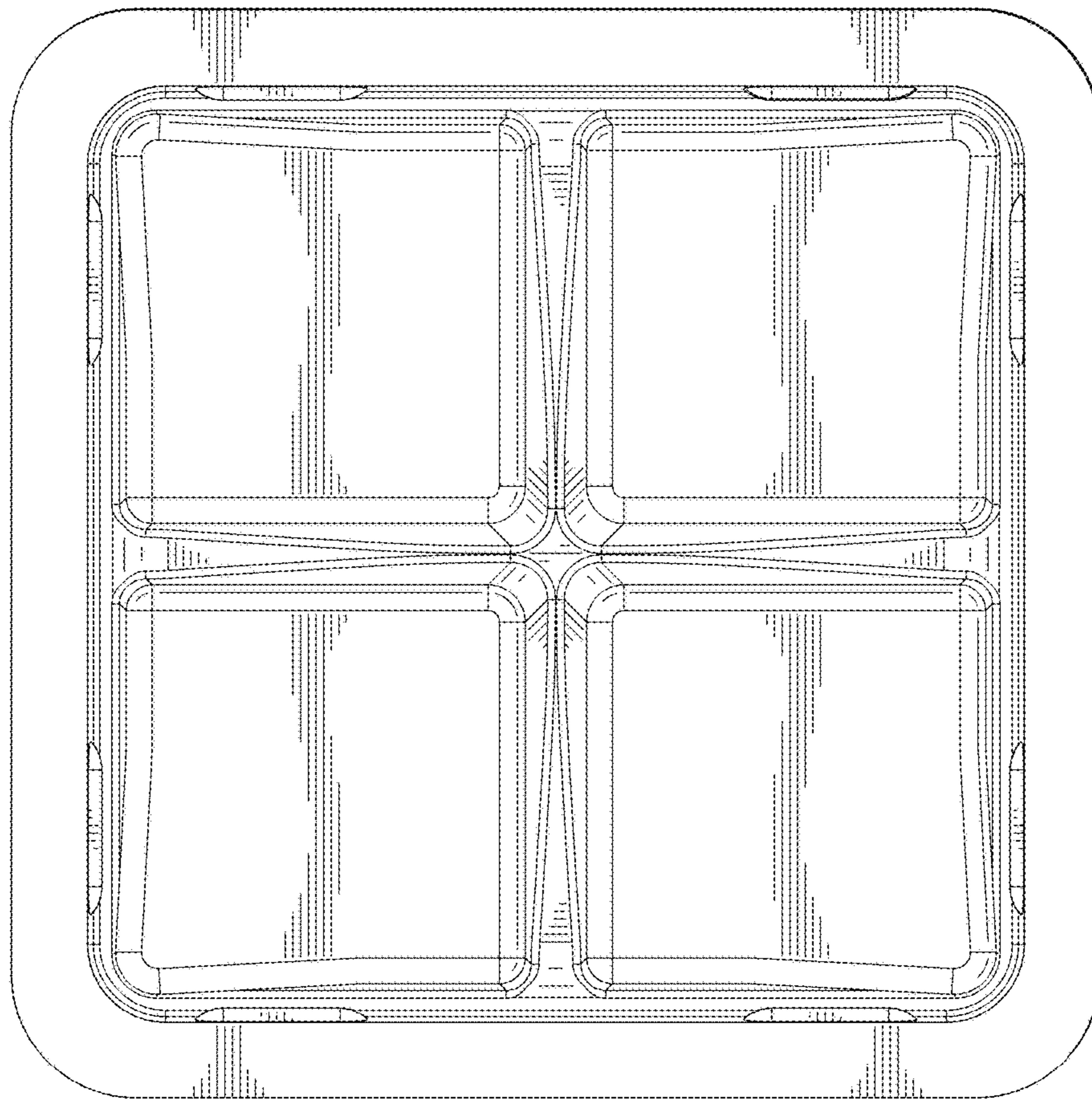


FIG. 7