



US00D840838S

(12) **United States Design Patent**  
**Wonderley**

(10) **Patent No.:** **US D840,838 S**

(45) **Date of Patent:** **\*\* Feb. 19, 2019**

- (54) **BLADE DISPENSER**
- (71) Applicant: **ACCUTECH BLADES, INC.**, Verona, VA (US)
- (72) Inventor: **Jeffrey Wonderley**, Fort Defiance, VA (US)
- (73) Assignee: **ACCUTECH BLADES, INC.**, Verona, VA (US)
- (\*\*) Term: **15 Years**

- 3,729,121 A \* 4/1973 Cannon ..... B65D 90/623  
222/185.1
- D237,052 S \* 10/1975 Petrillo ..... D9/749
- D326,345 S \* 5/1992 Mandell ..... D3/312
- 5,860,562 A \* 1/1999 Fedak ..... B65D 25/04  
221/124
- D440,042 S \* 4/2001 Holahan ..... D3/272
- D475,919 S \* 6/2003 Choffez ..... D9/432
- D566,365 S \* 4/2008 Wentz ..... D34/1

(Continued)

*Primary Examiner* — Lauren R Calve

(74) *Attorney, Agent, or Firm* — McGuireWoods, LLP

- (21) Appl. No.: **29/619,837**
- (22) Filed: **Oct. 2, 2017**
- (51) **LOC (11) Cl.** ..... **09-03**
- (52) **U.S. Cl.**  
USPC ..... **D9/748**; D9/424; D9/435; D9/749
- (58) **Field of Classification Search**  
USPC ..... D9/424, 434, 435, 436, 444, 453, 455,  
D9/456, 730, 735, 737, 748, 749;  
D3/304, 310, 314, 318; D34/17, 38  
CPC ..... B65D 1/243; B65D 2501/24019; B65D  
2501/24108; B65D 2501/24082; B65D  
2501/24216; B65D 71/70; B65D 88/022;  
B65D 88/54; B65D 2501/2414; B65D  
88/12; B65D 2588/12; B65D 2501/24687;  
B65D 2501/24535; B65D 2501/24605;  
B65D 7/00; B65D 85/305; B65D 88/02;  
B65D 83/0409; B65D 2501/24808; B65D  
2519/00034; B65D 2519/00069; B65D  
2519/00268; B65D 1/36; B65D  
2519/00288; B65D 2519/00318; B65D  
2501/2421; B65D 2501/24299; B65D  
83/10

See application file for complete search history.

(56) **References Cited**

**U.S. PATENT DOCUMENTS**

- D73,954 S \* 11/1927 Baker ..... D9/749
- D220,996 S \* 6/1971 Irons et al. .... D9/721

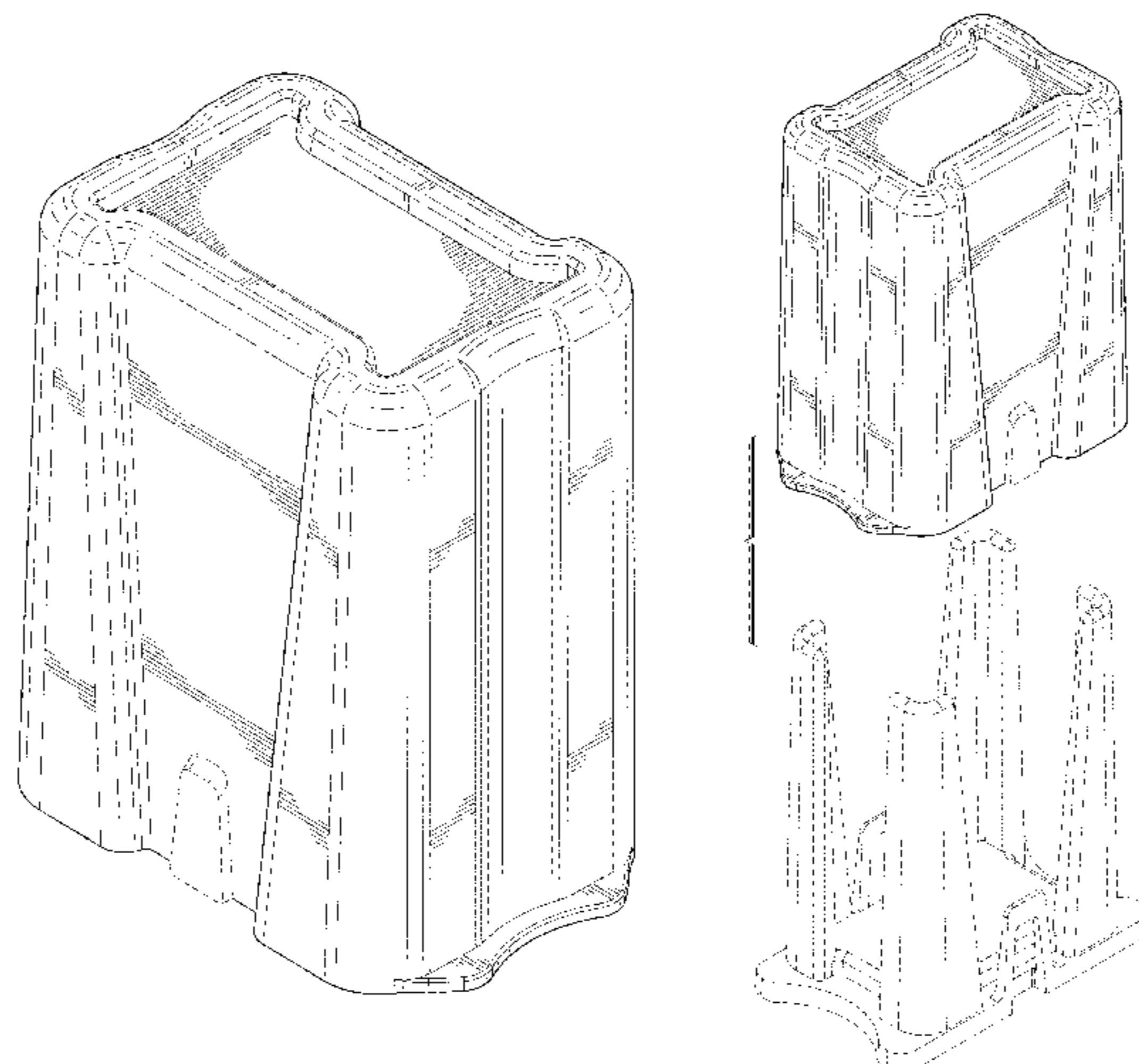
(57) **CLAIM**

I claim the ornamental design for a blade dispenser, as shown and described.

**DESCRIPTION**

FIG. 1 is a top front right isometric view of a blade dispenser;  
 FIG. 2 is a top rear right isometric view of the blade dispenser of FIG. 1;  
 FIG. 3 is a top front left isometric view of the blade dispenser of FIG. 1;  
 FIG. 4 is a top rear left isometric view of the blade dispenser of FIG. 1;  
 FIG. 5 is a front view of the blade dispenser of FIG. 1;  
 FIG. 6 is a rear view of the blade dispenser of FIG. 1;  
 FIG. 7 is a right view of the blade dispenser of FIG. 1;  
 FIG. 8 is a left view of the blade dispenser of FIG. 1;  
 FIG. 9 is a top view of the blade dispenser of FIG. 1;  
 FIG. 10 is a bottom view of the blade dispenser of FIG. 1;  
 FIG. 11 is an exploded view with an unclaimed base of the blade dispenser of FIG. 1; and,  
 FIG. 12 is an assembled view with the unclaimed base of the blade dispenser of FIG. 1.  
 The broken lines shown represent unclaimed subject matter and form no part of the claimed design.

**1 Claim, 11 Drawing Sheets**



(56)

**References Cited**

U.S. PATENT DOCUMENTS

D604,921	S	*	11/2009	Presnell	.....	D3/312
D631,339	S	*	1/2011	Golota	.....	D9/425
D641,258	S	*	7/2011	Wilson	.....	D9/418
D688,126	S	*	8/2013	Snedden	.....	D9/435
D726,071	S	*	4/2015	Aoyama	.....	D11/155
D799,829	S	*	10/2017	Farrington	.....	D3/309
D807,168	S	*	1/2018	Bouveret	.....	D9/425
D826,733	S	*	8/2018	Medhurst	.....	D9/735
2014/0220184	A1	*	8/2014	Boggs	.....	B65D 81/02 426/87
2016/0257490	A1	*	9/2016	Geisendorfer	.....	B65F 1/141

\* cited by examiner

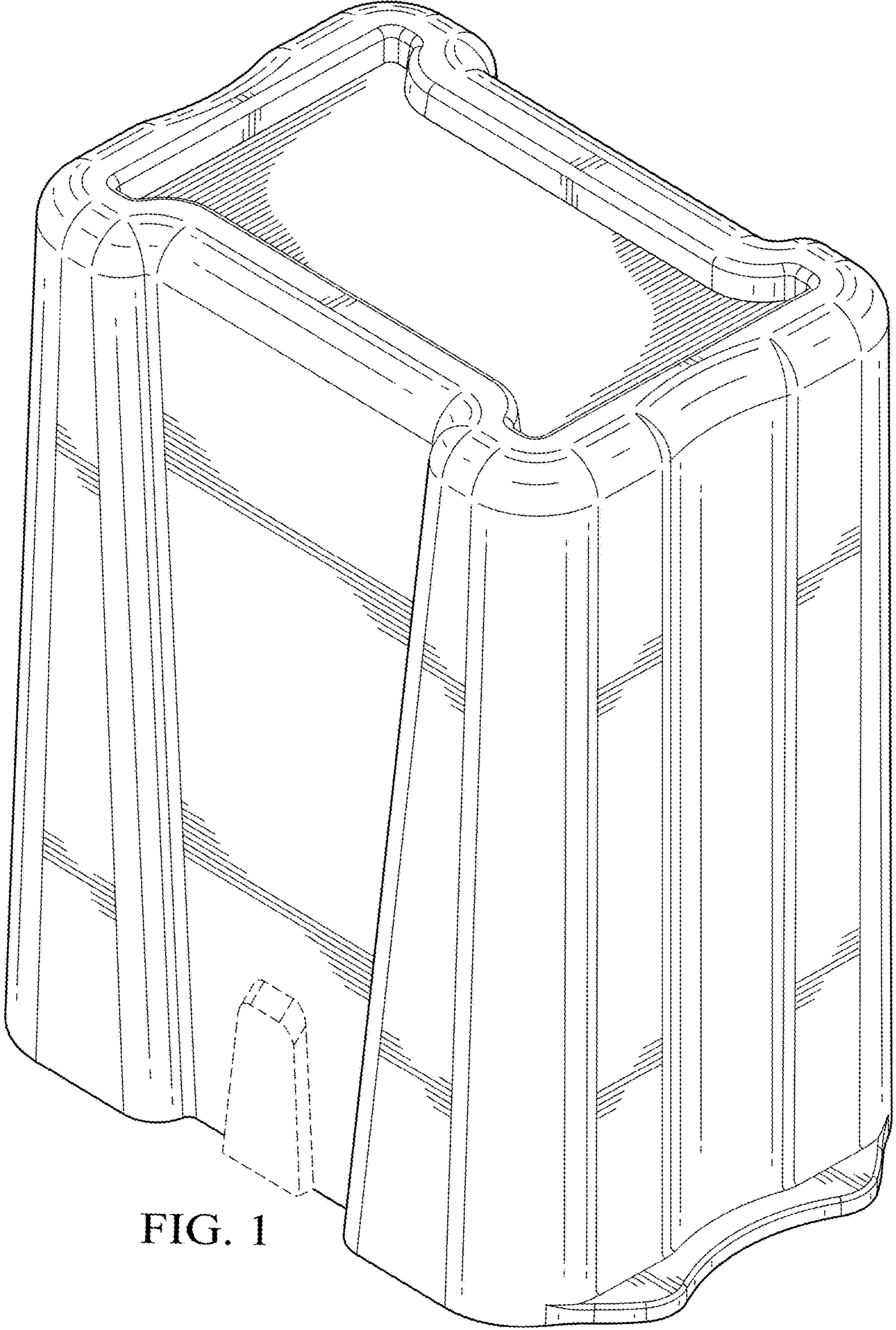


FIG. 1

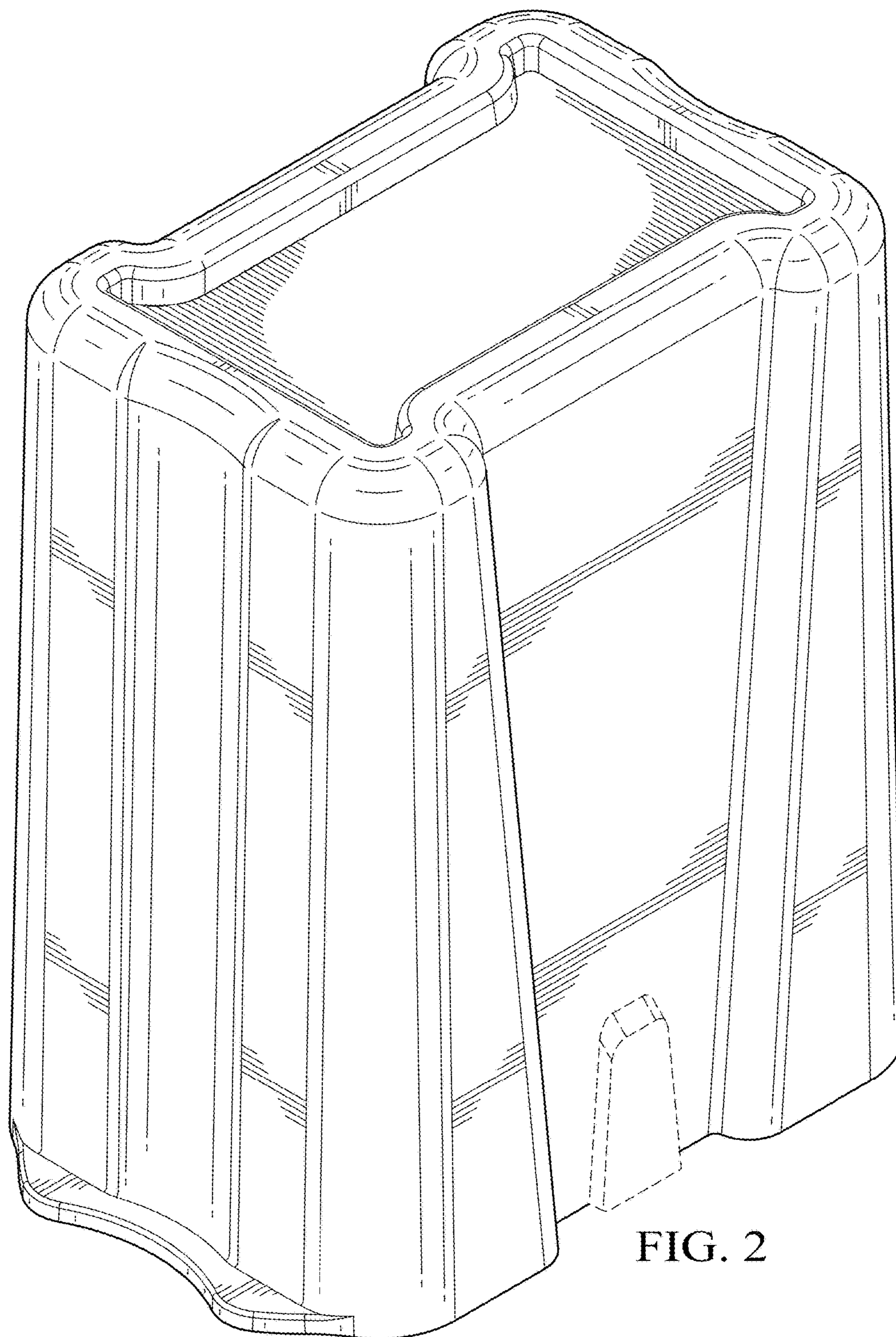


FIG. 2

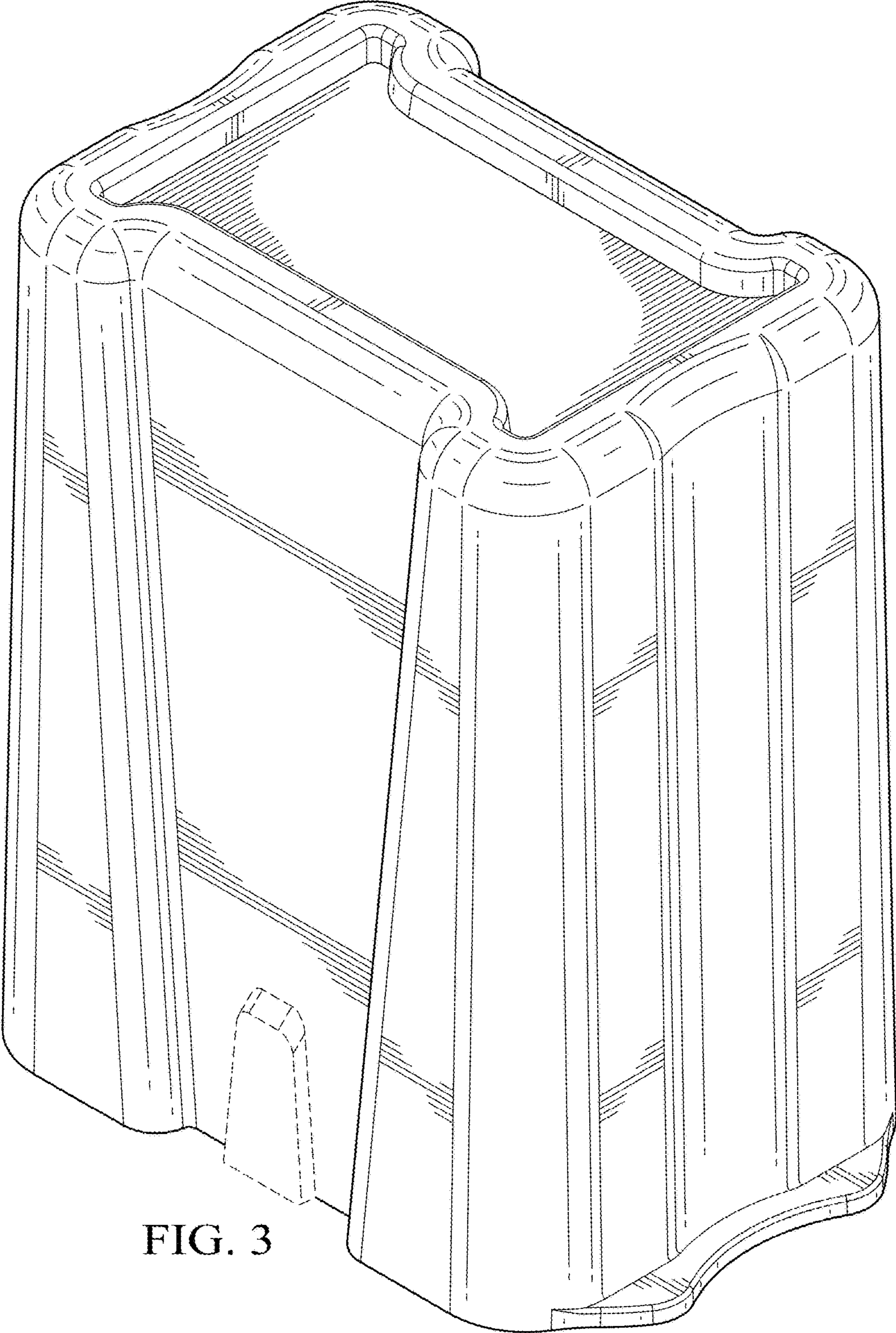


FIG. 3

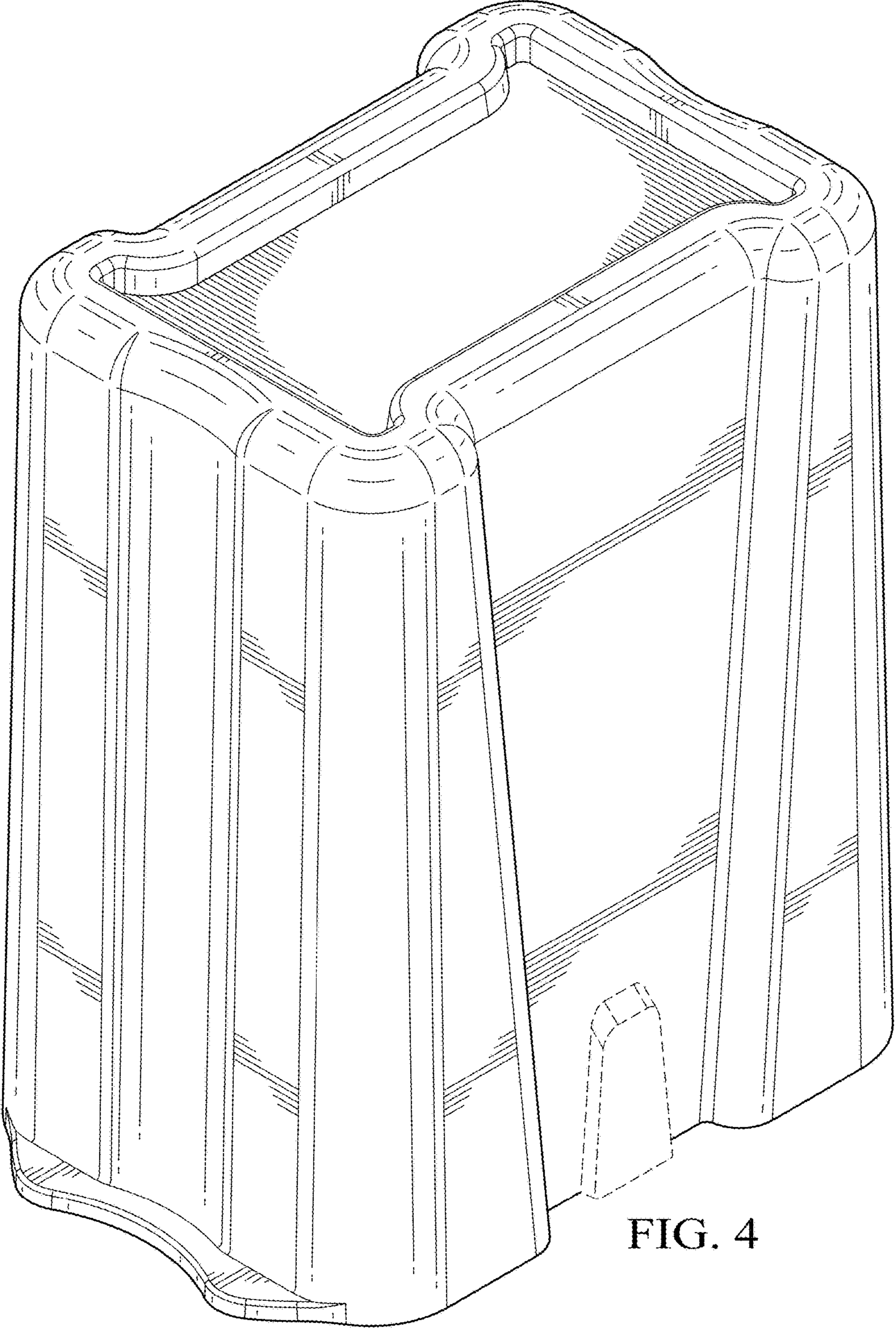


FIG. 4

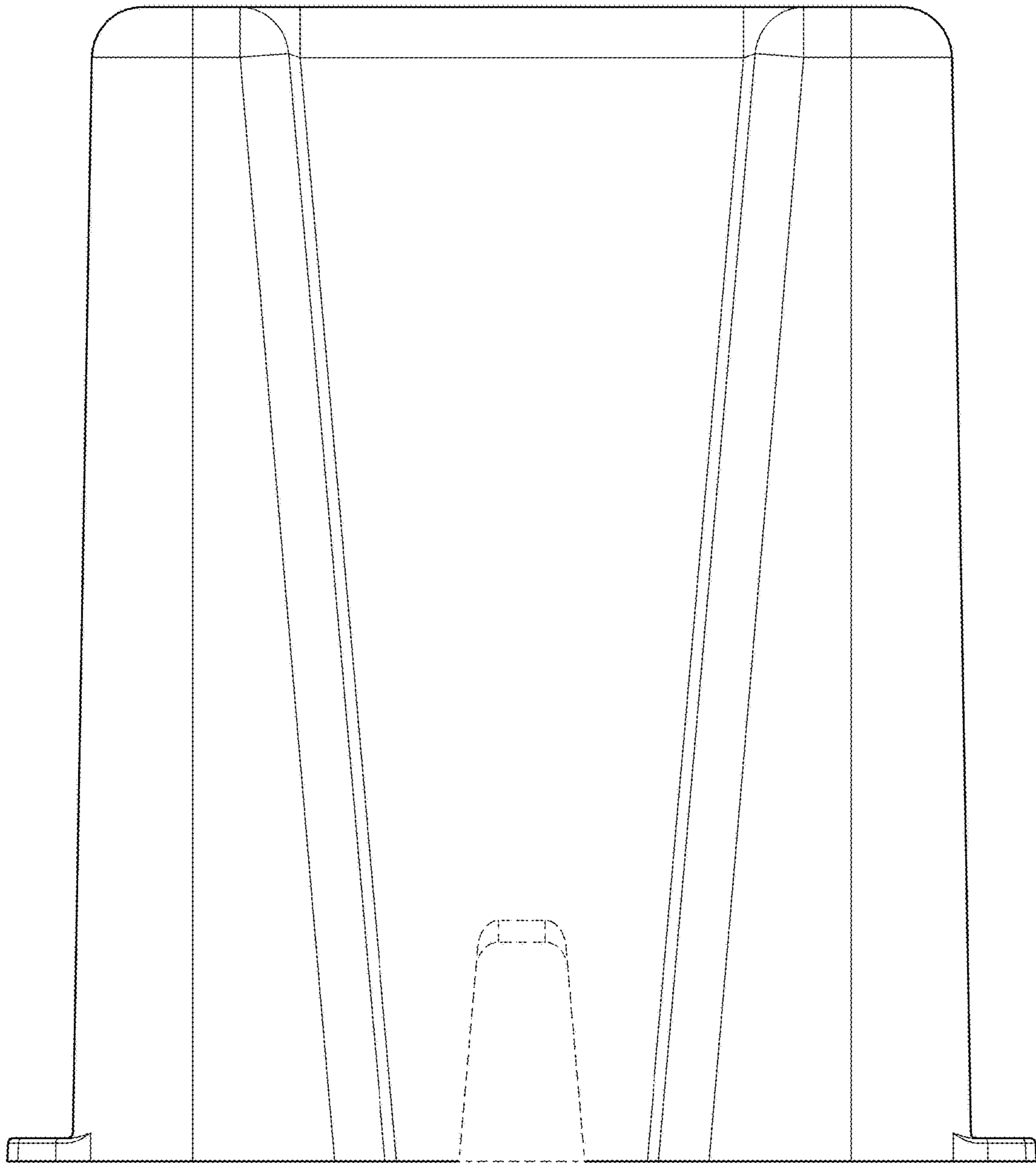


FIG. 5

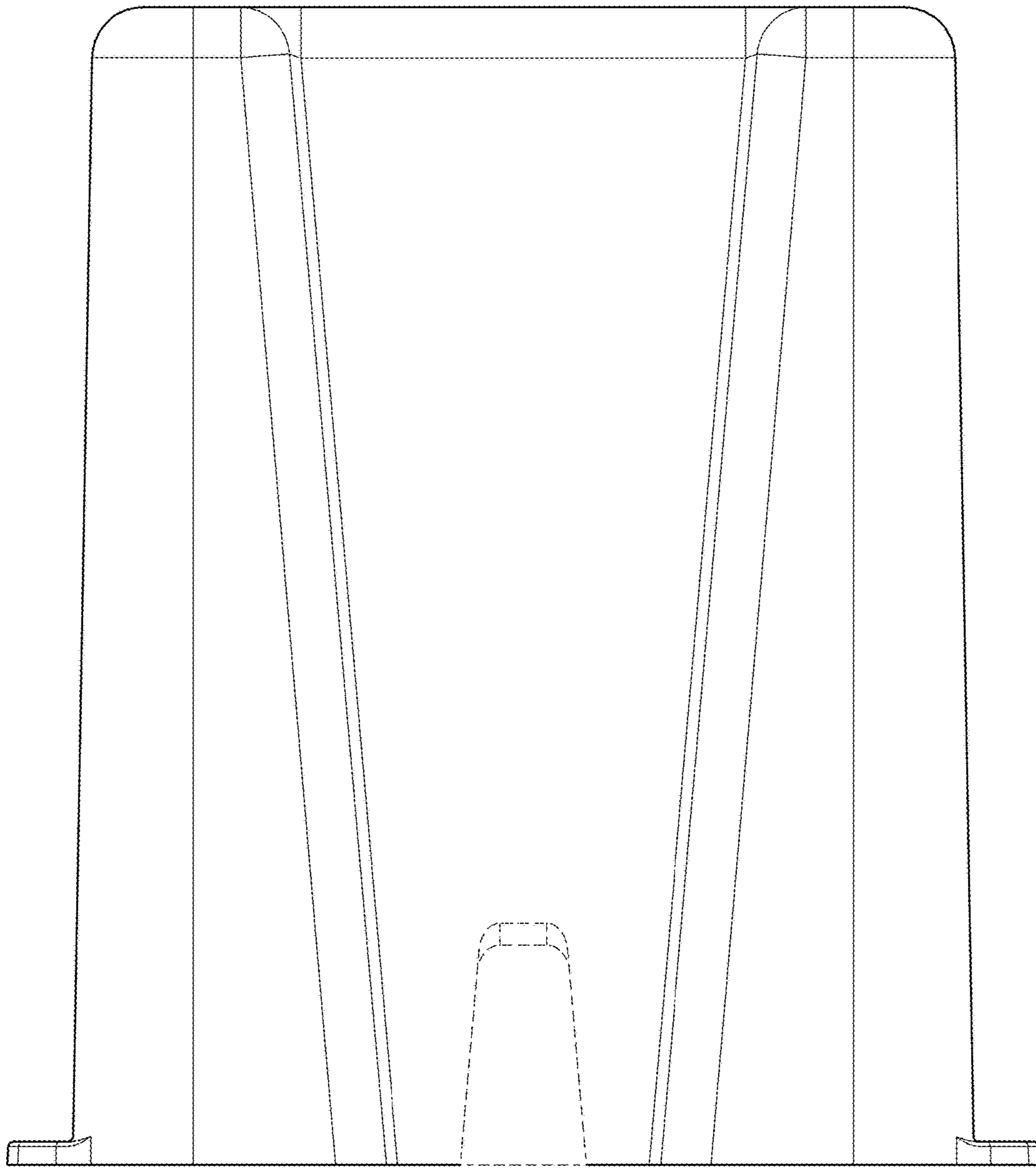


FIG. 6



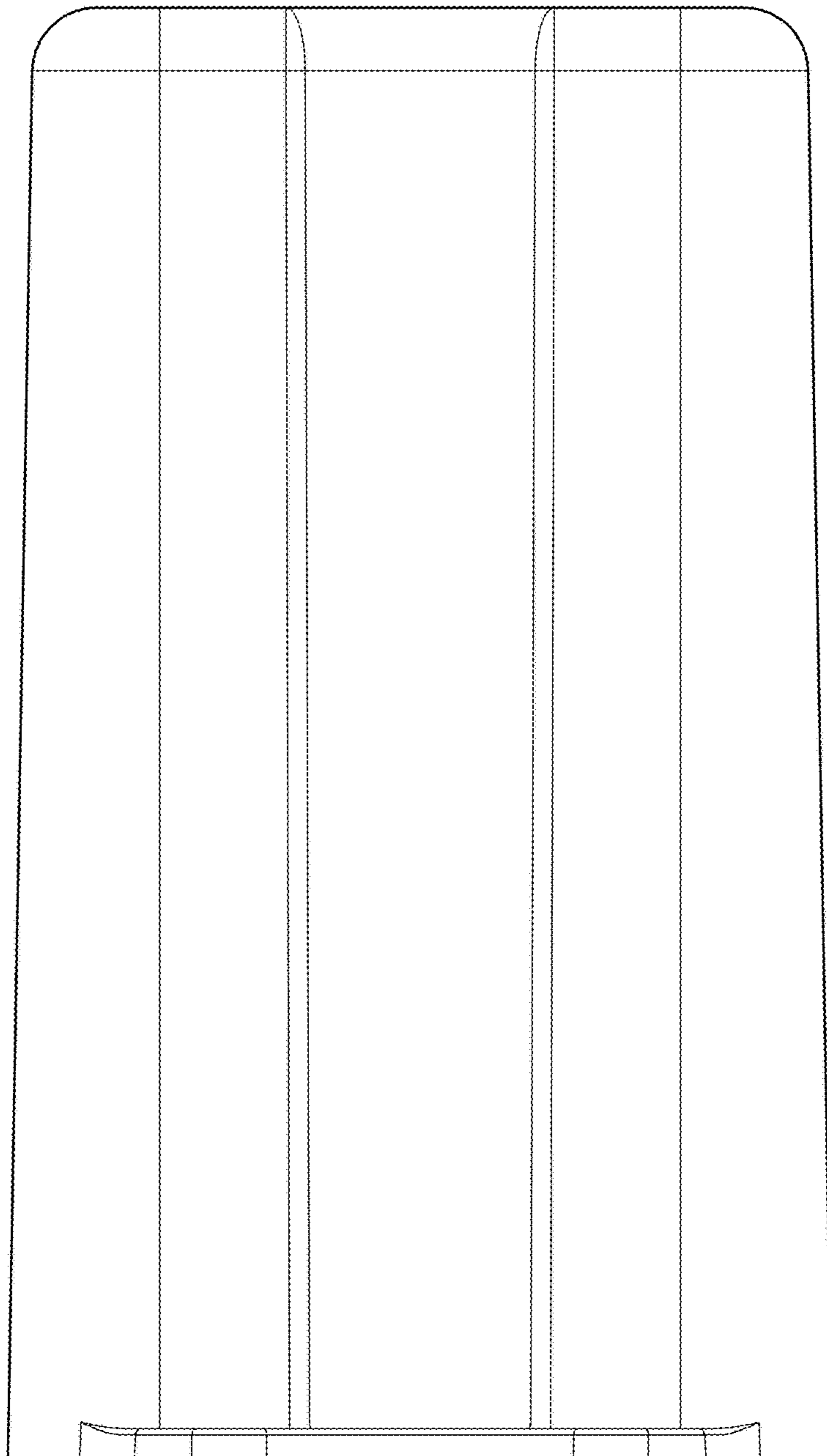


FIG. 7

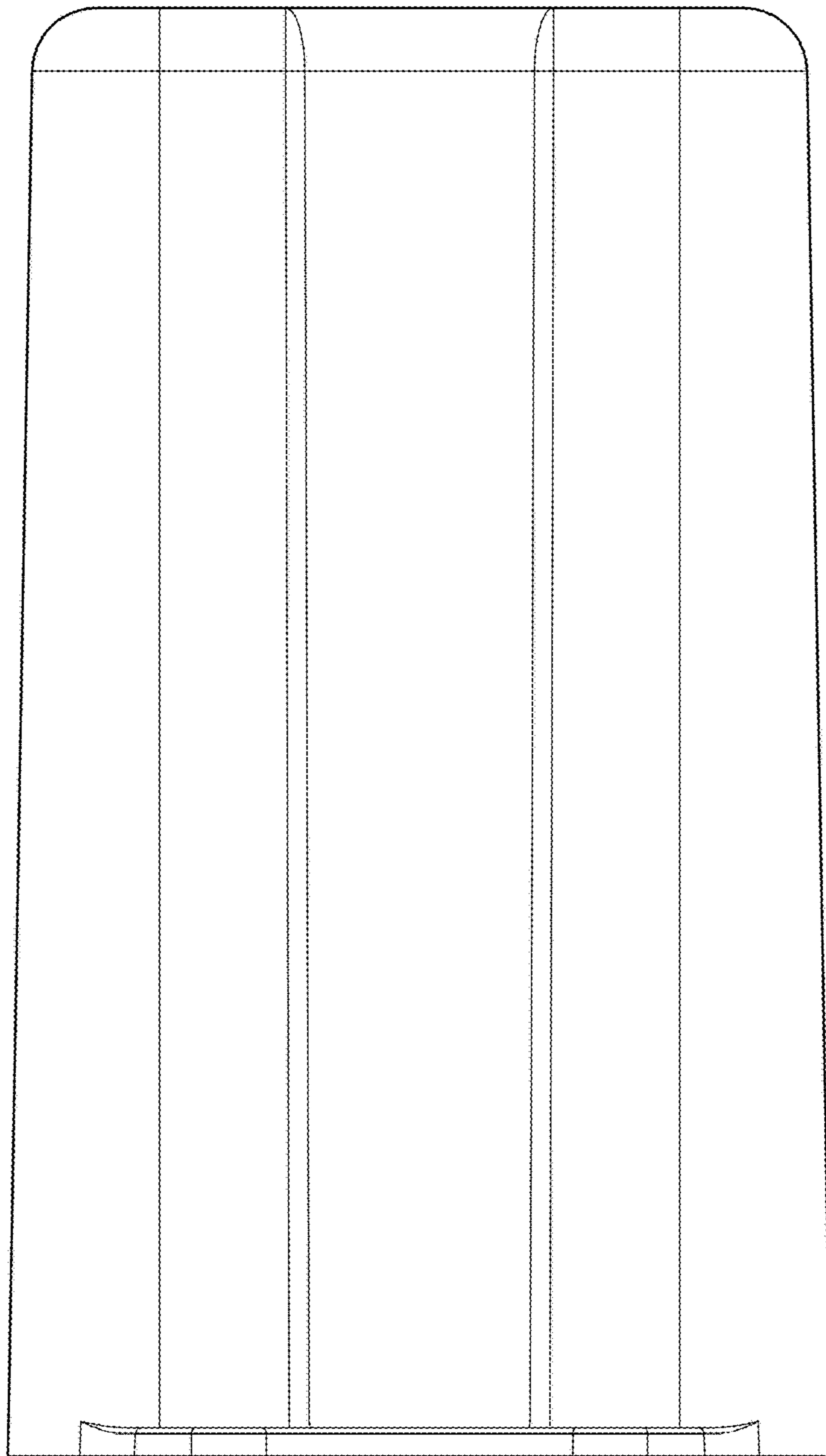


FIG. 8

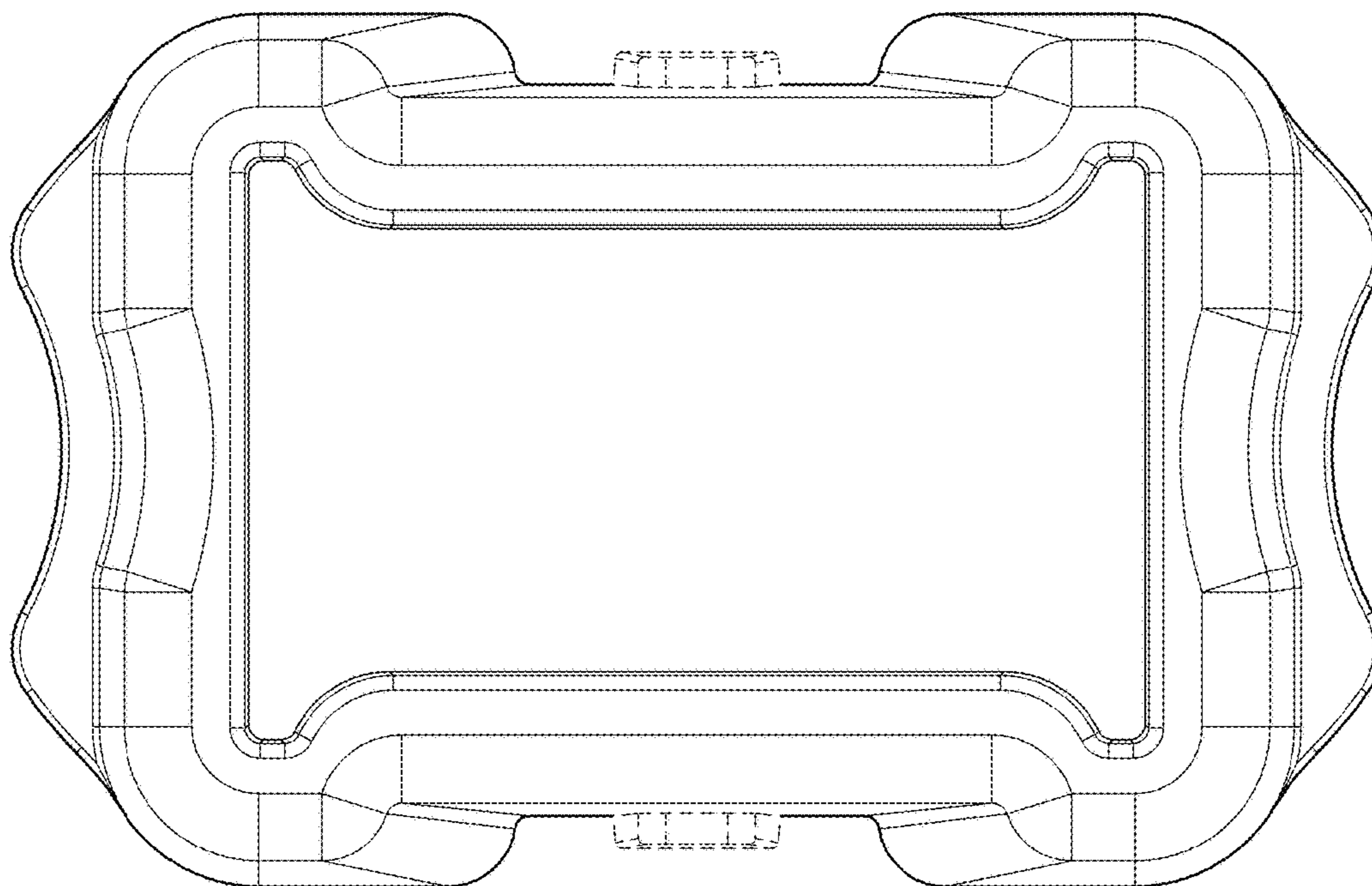


FIG. 9

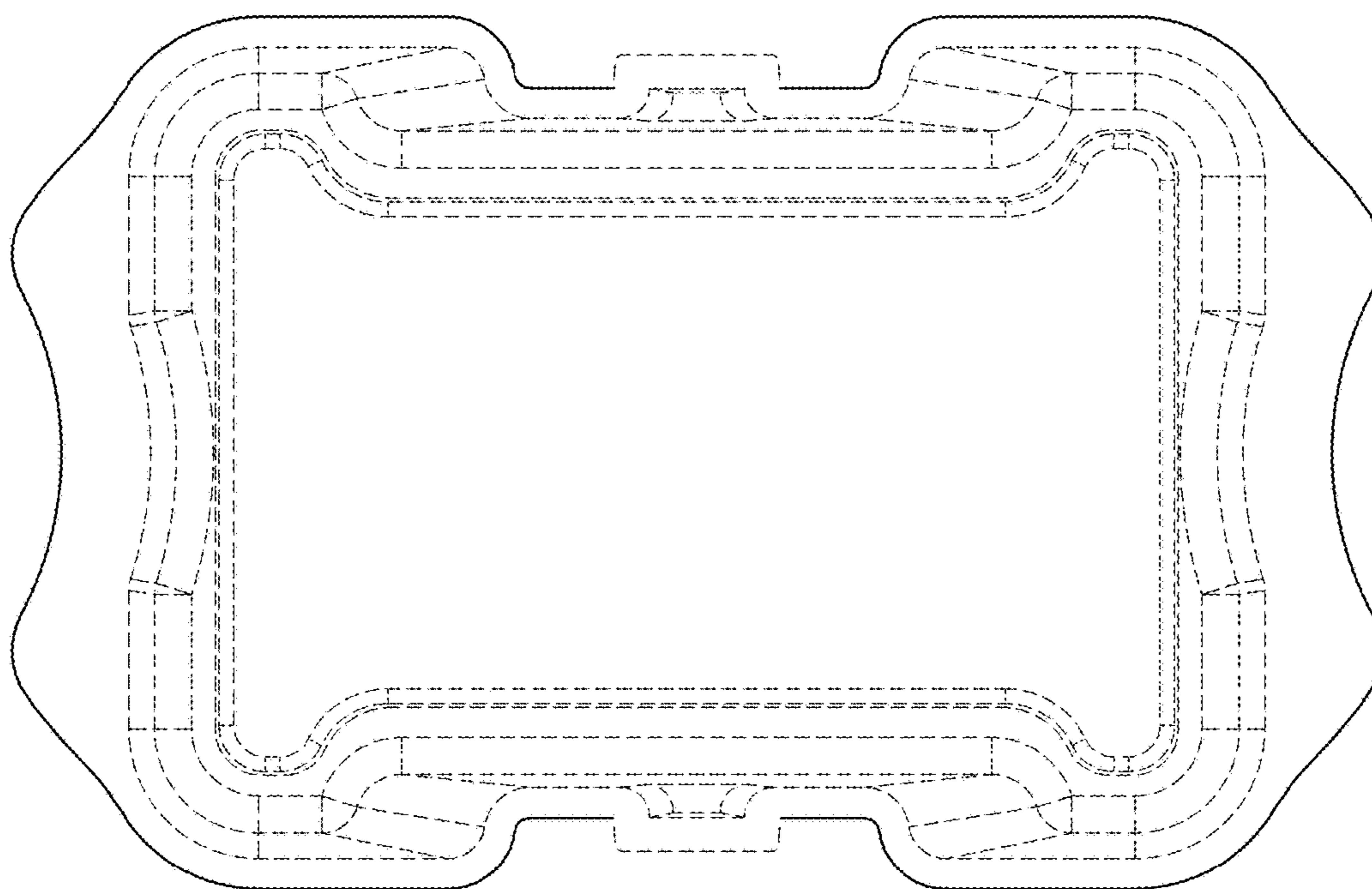


FIG. 10

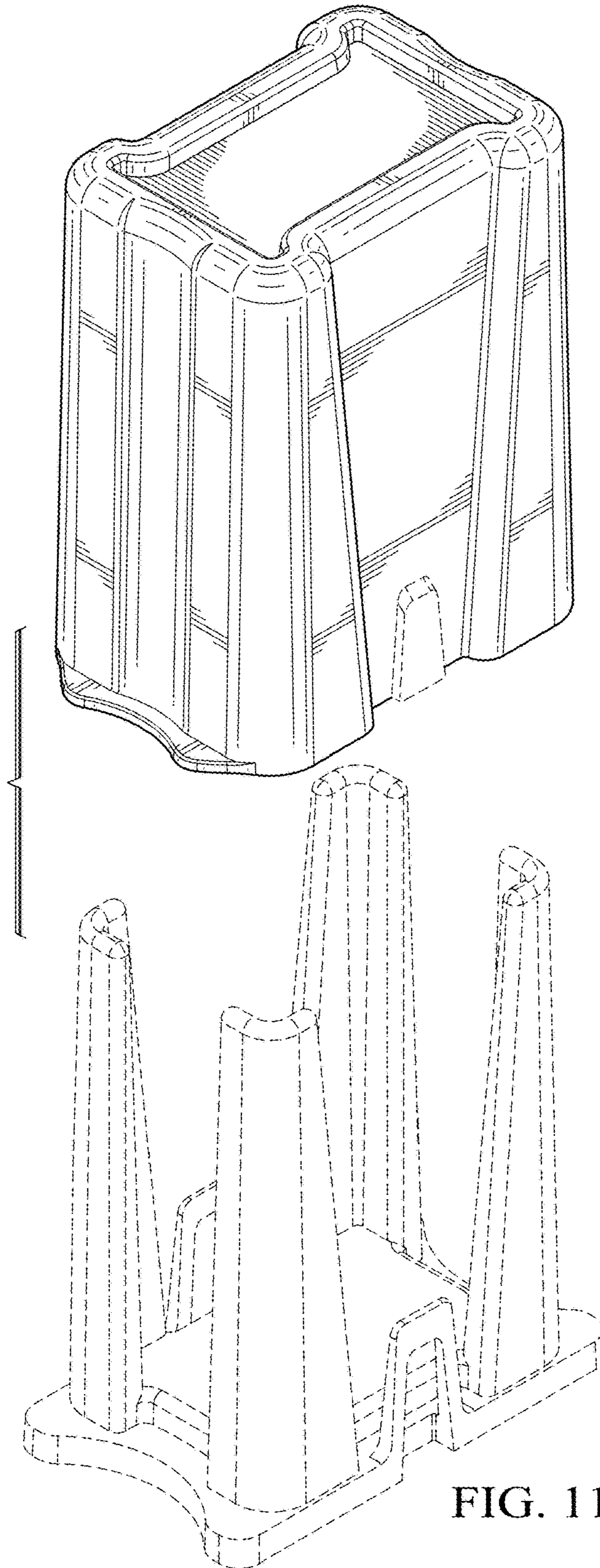


FIG. 11

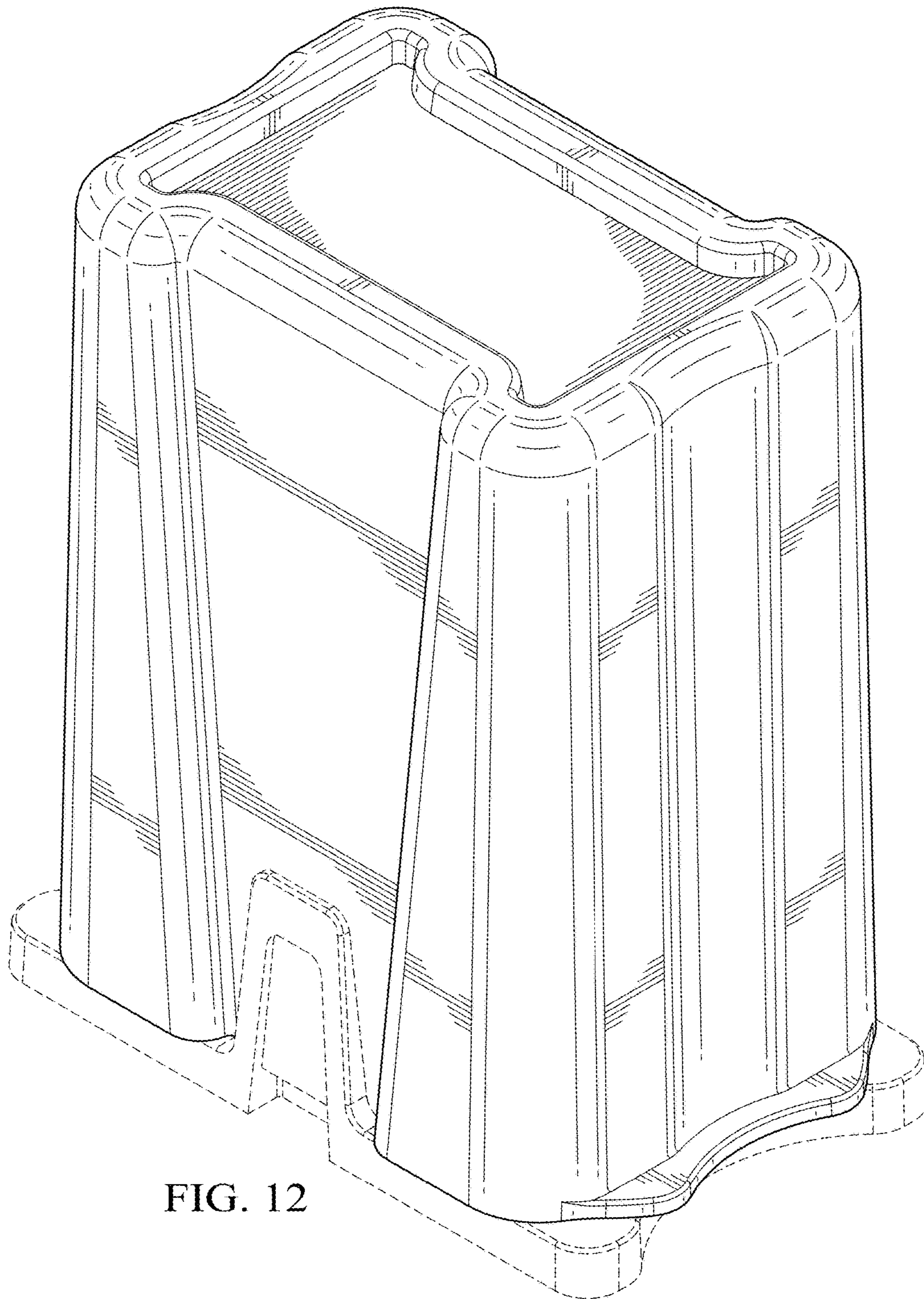


FIG. 12