



US00D840837S

(12) **United States Design Patent** (10) **Patent No.:** **US D840,837 S**
Woods (45) **Date of Patent:** **** Feb. 19, 2019**

(54) **CONTAINER SLEEVE**
(71) Applicant: **Fred Woods**, Gresham, OR (US)
(72) Inventor: **Fred Woods**, Gresham, OR (US)
(**) Term: **15 Years**
(21) Appl. No.: **29/626,302**
(22) Filed: **Nov. 16, 2017**
(51) **LOC (11) Cl.** **09-05**
(52) **U.S. Cl.**
USPC **D9/711**
(58) **Field of Classification Search**
USPC D9/702-714, 444, 447, 516, 530, 719,
D9/761; D24/127, 128, 193, 194, 197,
D24/198, 199, 207; 220/227, 235, 694,
220/703, 714, 722, 727, 735, 745;
215/11.1, 11.2, 11.3, 11.4, 11.5, 11.6;
606/236
CPC A47G 23/0241; A47G 23/02; A47G 23/03;
A61J 9/08; A61J 9/0607; A61J 9/0623;
A61J 9/06; B65D 81/3888; B65D
81/3883; B65D 81/3876
See application file for complete search history.

7,152,750 B2 12/2006 Coffey
D618,065 S * 6/2010 Joy D7/607
D684,825 S 6/2013 Rackcliffe
8,844,763 B1 9/2014 Momirov et al.
D751,920 S * 3/2016 Aranda Campin B65D 51/20
D9/711
9,326,638 B2 5/2016 Christy
D761,623 S * 7/2016 Leimone D7/507
D781,113 S * 3/2017 Kocsis D7/624.2
D785,807 S * 5/2017 Saadia D24/199
9,924,817 B1 * 3/2018 Winter A47G 23/0241
9,999,573 B2 * 6/2018 Cross A61J 9/06
2003/0146228 A1 8/2003 Davis et al.

* cited by examiner

Primary Examiner — Abraham Bahta

(57) **CLAIM**

The ornamental design for a container sleeve, as shown and described.

DESCRIPTION

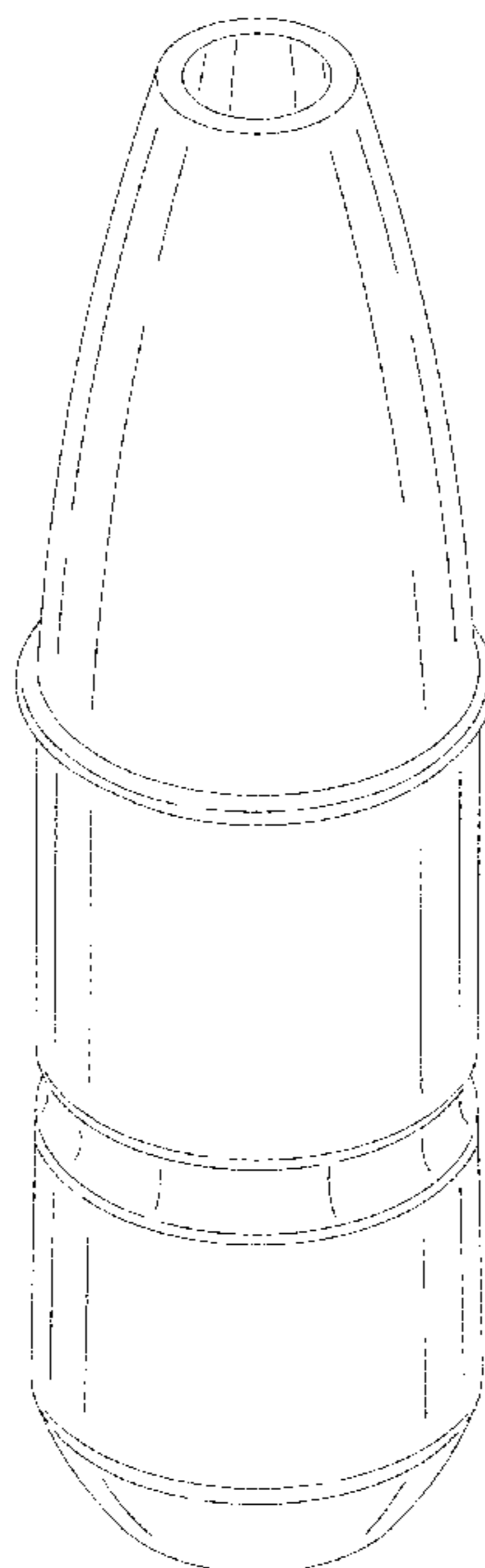
FIG. 1 is a front view of a container sleeve showing my new design, rear, left side, and right side views being identical; FIG. 2 is a top view of the container sleeve; FIG. 3 is a bottom view of the container sleeve; FIG. 4 is a top front side perspective view of the container sleeve when not positioned on a container; and, FIG. 5 is a top front side perspective view of an alternative embodiment of the container sleeve shown in use. The broken lines in FIG. 5 are for illustrative purposes only and form no part of the claimed design.

1 Claim, 4 Drawing Sheets

(56) **References Cited**

U.S. PATENT DOCUMENTS

4,197,890 A 4/1980 Simko
4,514,995 A 5/1985 Curtis et al.
5,415,305 A 5/1995 Drake-Tipton et al.
6,042,907 A * 3/2000 Blackwelder B32B 27/32
428/35.2
6,718,733 B2 4/2004 Kilmartin



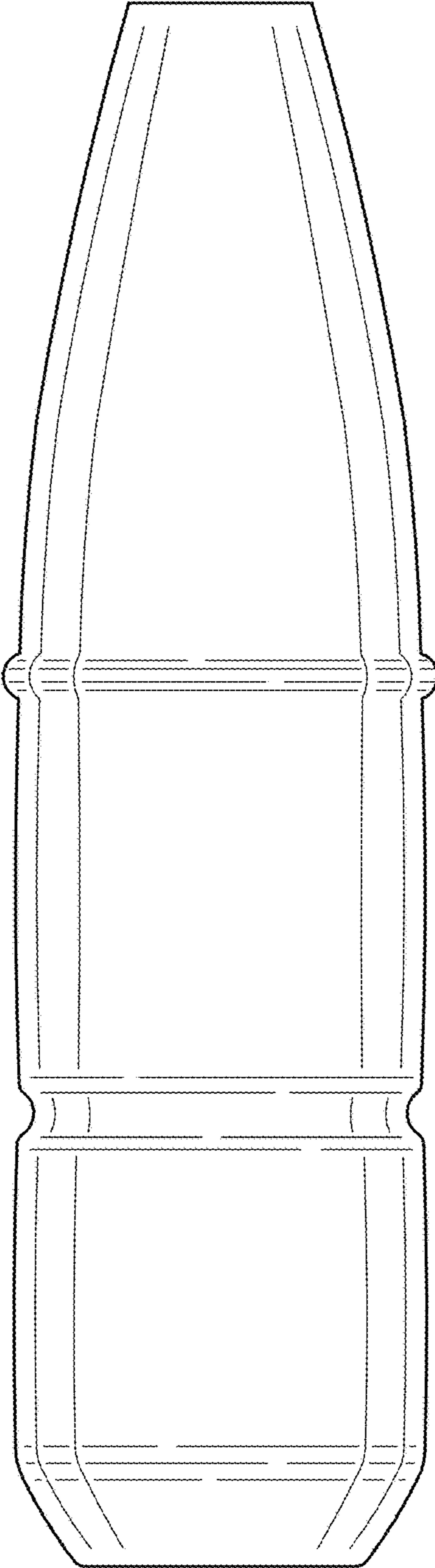


FIG. 1

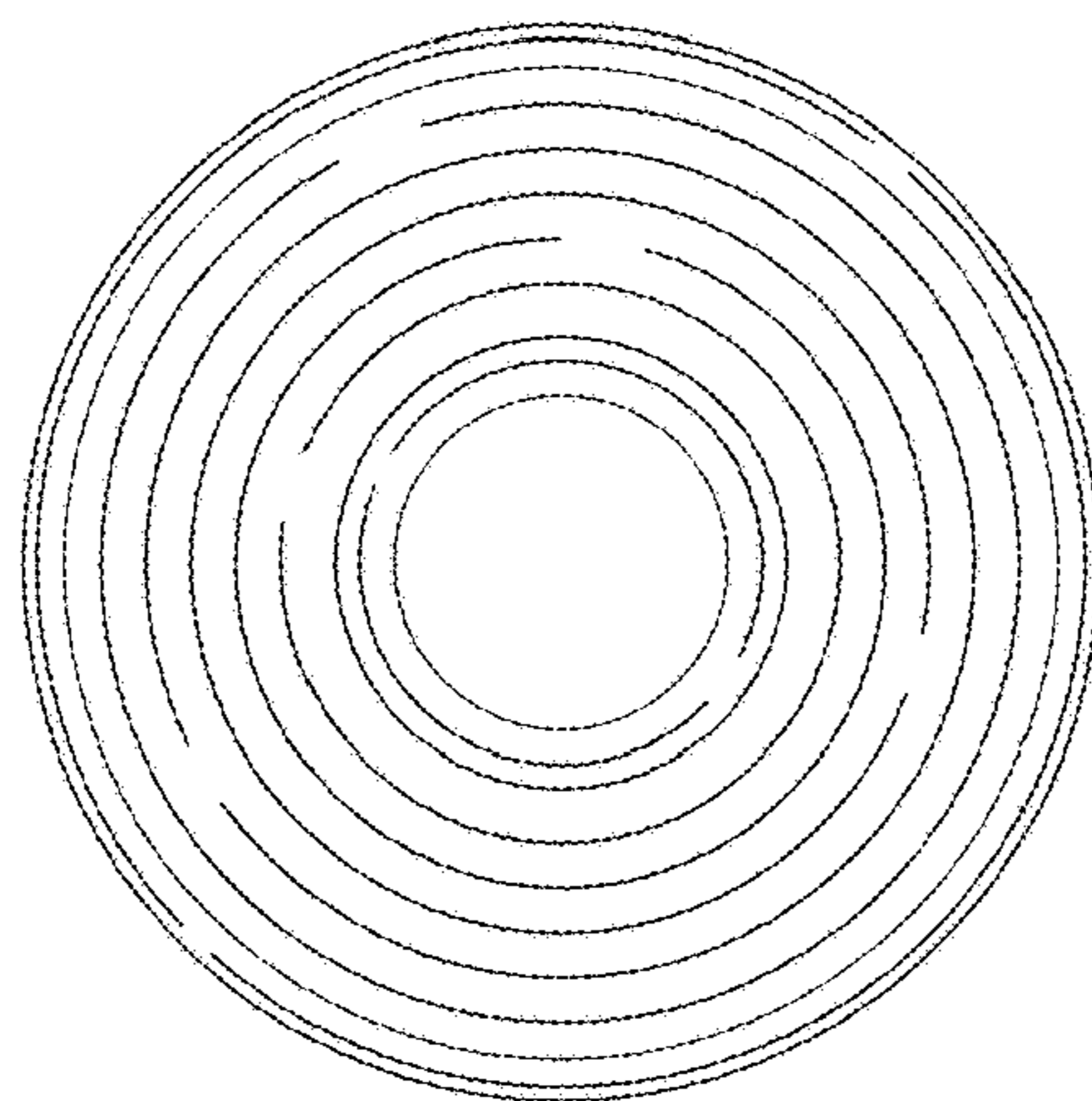


FIG. 2

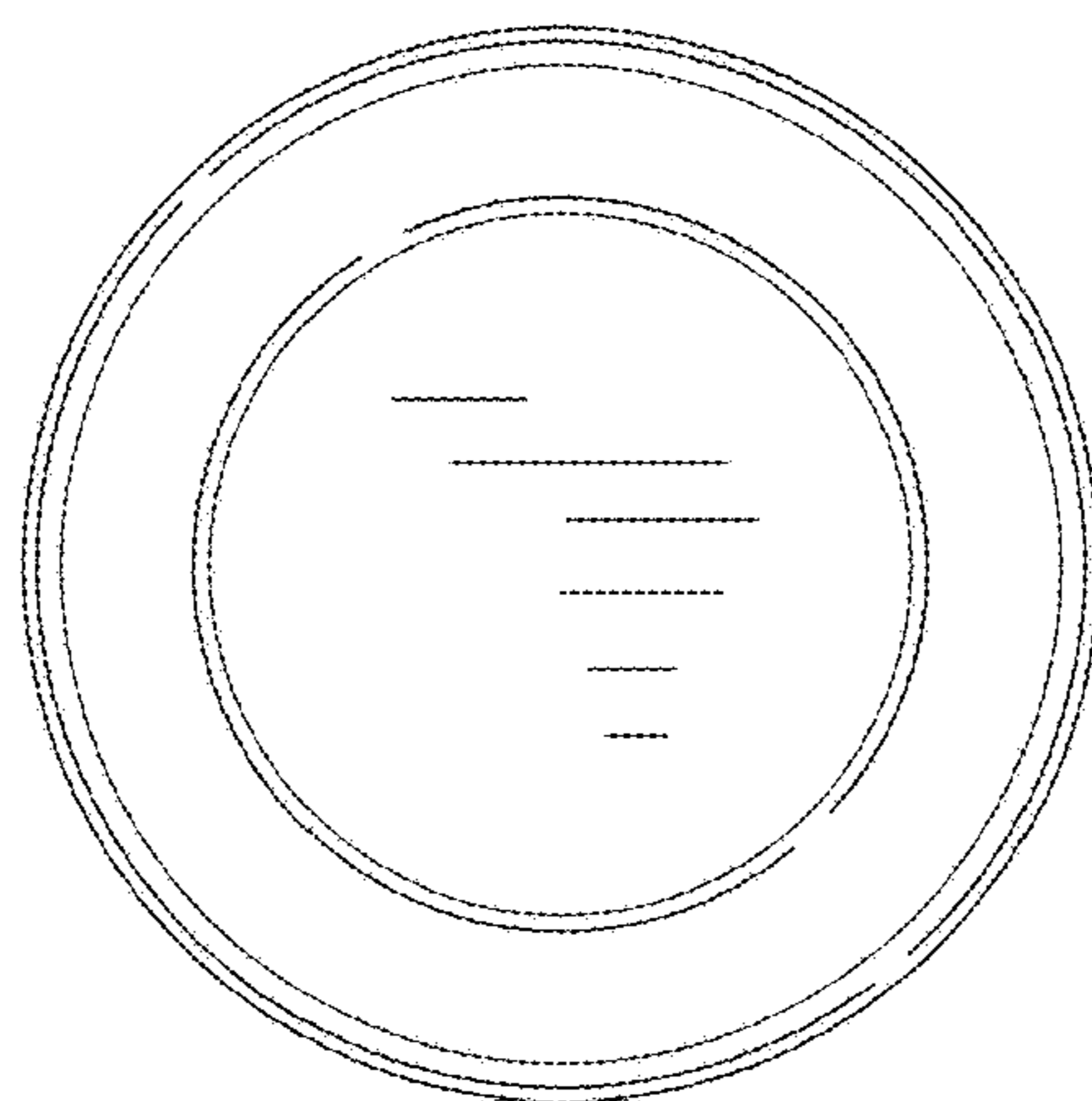


FIG. 3

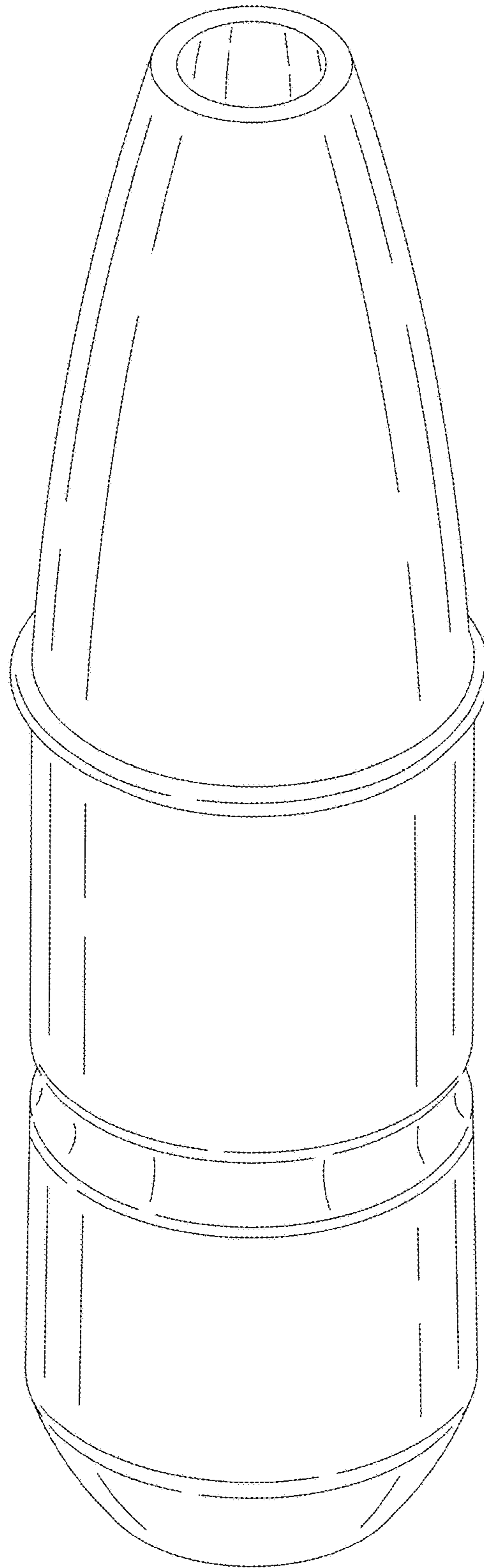


FIG. 4

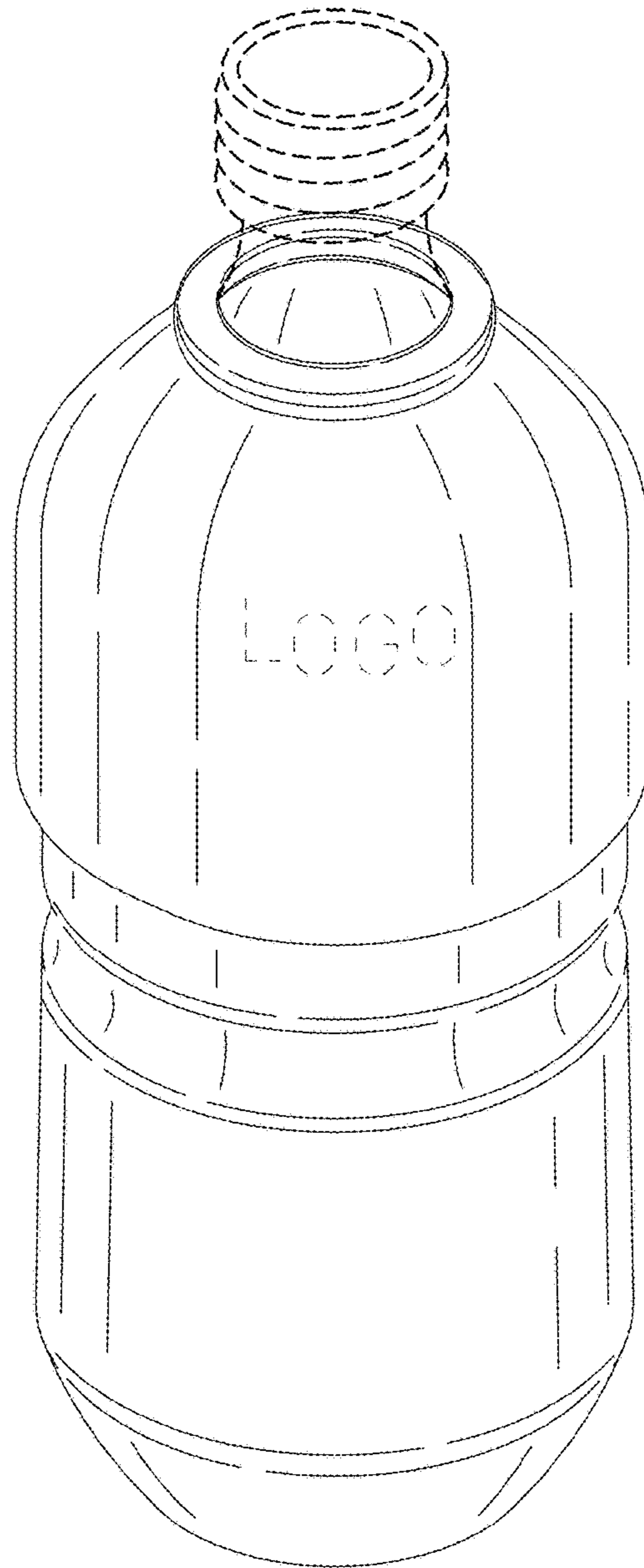


FIG. 5