

US00D840835S

(12) **United States Design Patent** (10) **Patent No.:** **US D840,835 S**  
**Tan** (45) **Date of Patent:** **\*\* Feb. 19, 2019**

(54) **SEALABLE WAVE BAG**

OTHER PUBLICATIONS

- (71) Applicant: **Pan Pacific Plastics Mfg., Inc.**,  
Hayward, CA (US)
- (72) Inventor: **Hin Siang Michael Tan**, Danville, CA  
(US)
- (73) Assignee: **PAN PACIFIC PLASTICS MFG.,  
INC.**, Hayward, CA (US)
- (\*\*) Term: **15 Years**
- (21) Appl. No.: **29/628,457**
- (22) Filed: **Dec. 5, 2017**

Hin Siang Michael Tan, U.S. Appl. No. 15/374,764, filed Dec. 9, 2016.

(Continued)

*Primary Examiner* — Abraham Bahta  
(74) *Attorney, Agent, or Firm* — Beyer Law Group LLP

(57) **CLAIM**

I claim the ornamental design for a sealable wave bag, substantially as shown and described.

**DESCRIPTION**

FIG. 1 is a front right perspective view of a sealable wave bag in accordance with the present design.

FIG. 2 is a front view of the sealable wave bag of FIG. 1, the rear view being a mirror image thereof.

FIG. 3 is a right side view thereof, the left side view being a mirror image thereof.

FIG. 4 is a top view thereof.

FIG. 5 is a bottom view thereof.

FIG. 6 is an interior view of a front sheet-like panel, taken along the plane of the line 6-6 in FIG. 3.

FIG. 7 is an interior view of a rear sheet-like panel, taken along the plane of the line 7-7 in FIG. 3.

FIG. 8 is a top plan view of the sealable wave bag of FIG. 1, in a folded-over opened position, and illustrating content, shown in broken lines, contained in the opened sealable wave bag.

FIG. 9 is a front right perspective view of the sealable wave bag of FIG. 1, illustrating the sealable wave bag in an opened position, and illustrating content, shown in broken lines, as well as partial removal of a protective cover over an adhesive seal.

FIG. 10 is a front right perspective view of the opened sealable wave bag of FIG. 9, illustrating the sealable wave bag in a closed, sealed condition.

FIG. 11 is a front elevation view of the sealed wave bag of FIG. 9.

FIG. 12 is a right side elevation view thereof; and,

(Continued)

**Related U.S. Application Data**

- (63) Continuation-in-part of application No. 15/388,740, filed on Dec. 22, 2016, which is a  
(Continued)
- (51) **LOC (11) Cl.** ..... **09-05**
- (52) **U.S. Cl.**  
USPC ..... **D9/707**
- (58) **Field of Classification Search**  
USPC ..... D9/702–714, 430–434, 423, 499;  
D3/303, 202, 205, 221, 226, 246, 240,  
(Continued)

(56) **References Cited**

**U.S. PATENT DOCUMENTS**

D47,085 S 3/1915 Veith  
D225,311 S 12/1972 Harrison et al.  
(Continued)

**FOREIGN PATENT DOCUMENTS**

AU 5715973 A 1/1975  
BE 829266 9/1975  
(Continued)

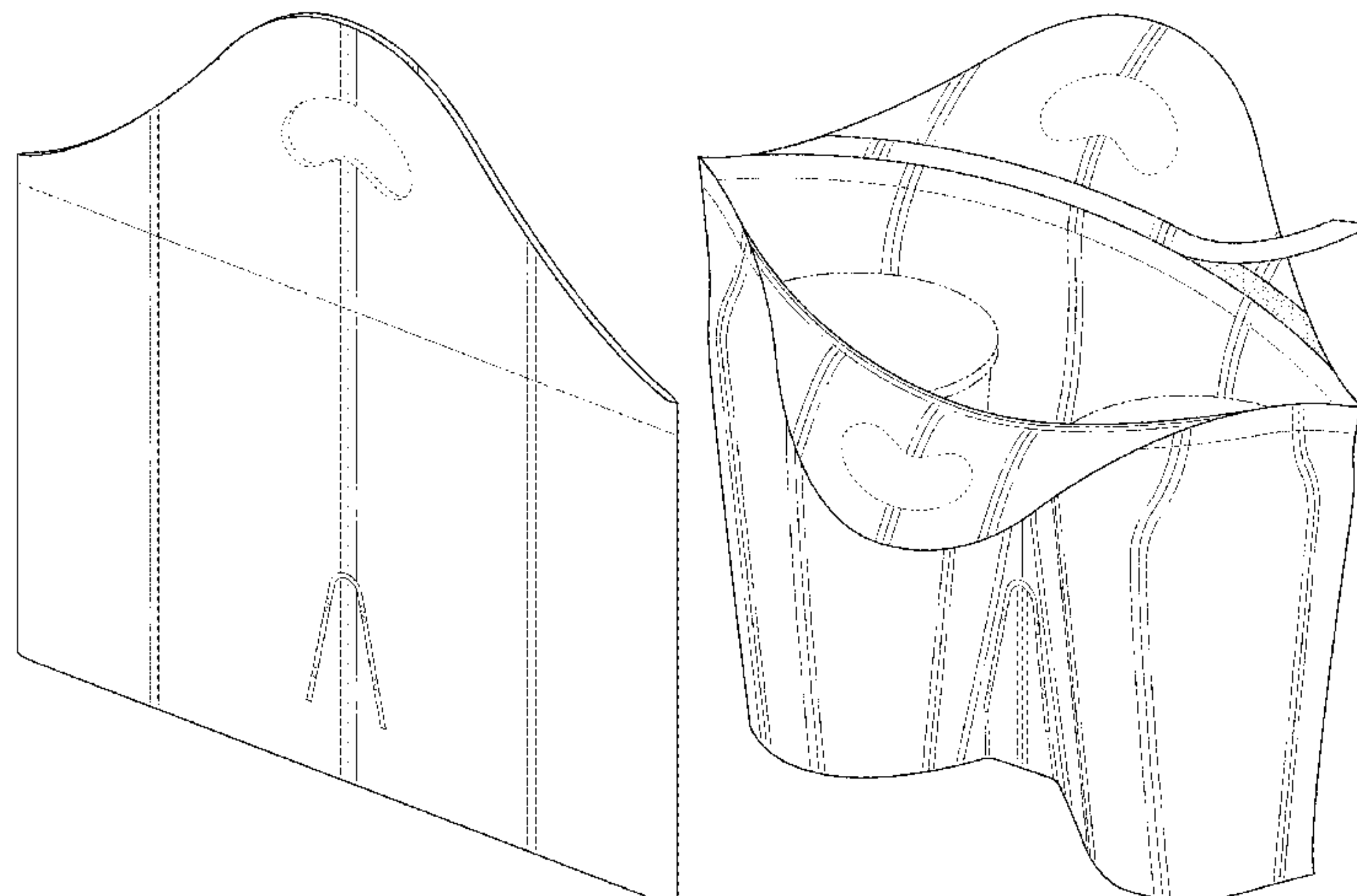


FIG. 13 is a front right perspective view of the sealable wave bag of FIG. 10, illustrating the front and rear handle flaps removed from the remaining wave bag, via perforations, to access the contents therein.

The broken lines in the Figures show portions of the sealable wave bag which form no part of the claimed design.

The shade lines in the Figures show contours and not surface ornamentation.

**1 Claim, 11 Drawing Sheets**

**Related U.S. Application Data**

continuation-in-part of application No. 15/374,764, filed on Dec. 9, 2016.

(58) **Field of Classification Search**

USPC ..... D3/304–315, 201, 276; 383/6, 105–120, 383/127, 10; 220/915.1, 915.2, 592.01, 220/773, 755; D7/601, 605–607, D7/709–710, 393, 394, 395, 602, 622, D7/624.2; 206/139, 428, 488, 427, 433, 206/434, 432; 229/117.19, 116.5, 923, 229/87.03, 87.18, 87.19, 117.09; 150/100, 107; 493/226; 215/399, 396  
CPC ..... B65D 33/00; B65D 33/12; B65D 33/16; B65D 31/00; B65D 31/10; B65D 5/00; B65D 5/06; A45C 1/00; A45C 1/02; A45C 3/06; A45C 3/00; A45C 3/10

See application file for complete search history.

(56) **References Cited**

U.S. PATENT DOCUMENTS

D239,253 S	3/1976	Tiep et al.	
D241,321 S *	9/1976	Paige .....	D9/704
4,125,220 A	11/1978	Suominen	
4,216,899 A	8/1980	Kamp	
D258,204 S *	2/1981	Rudenschold .....	206/312
D286,016 S	10/1986	Addiego	
4,717,262 A *	1/1988	Roen .....	B65D 31/08 383/104
4,759,643 A	7/1988	Canno	
4,877,335 A *	10/1989	Barnard .....	B65D 33/065 383/6
4,932,791 A	6/1990	Vetter	
D319,780 S	9/1991	Laaki	

5,045,040 A	9/1991	Vetter	
D349,451 S	8/1994	Sagnard	
5,338,118 A	8/1994	DeMatteis	
5,417,040 A	5/1995	Davoren	
5,788,378 A	8/1998	Thomas	
D404,203 S *	1/1999	Maier-Aichen .....	D3/245
D501,134 S	1/2005	Takahashi et al.	
D584,165 S	1/2009	Kerr et al.	
D597,832 S	8/2009	Bischoff et al.	
D684,369 S *	6/2013	Daigle .....	D3/309
D706,030 S *	6/2014	Wang .....	D3/245
D755,510 S *	5/2016	Haast .....	D3/232
D782,918 S *	4/2017	Ross .....	D9/705
D784,157 S *	4/2017	Ross .....	D9/705
D796,967 S *	9/2017	Abang, Jr. ....	D9/703
D801,826 S	11/2017	O'Connor et al.	
2004/0042688 A1	3/2004	Lee	
2006/0017279 A1	1/2006	Wu	
2007/0031067 A1	2/2007	Gebhardt	
2008/0063325 A1	3/2008	Miller et al.	
2008/0247683 A1	10/2008	Schmal et al.	
2014/0241847 A1	8/2014	Short	
2016/0229613 A1	8/2016	Morofuji	
2017/0001761 A1	1/2017	Arcot	

FOREIGN PATENT DOCUMENTS

DE	102013020683	12/2013
JP	2016098039	5/1916

OTHER PUBLICATIONS

Hin Siang Michael Tan, U.S. Appl. No. 15/388,740, filed Dec. 22, 2016.  
Hin Siang Michael Tan, U.S. Appl. No. 29/611,777, filed Jul. 25, 2017.  
Hin Siang Michael Tan, U.S. Appl. No. 15/832,412, filed Dec. 5, 2017.  
IPS Industries, “Tamper Safe & Reusable” brochure, www.IPSPI.com, obtained in 2017, prior to Dec. 5, 2017.  
Pak Sher, “IntegriLiner” brochure, www.paksher.com, obtained in 2017, prior to Dec. 5, 2017.  
Pak Sher, “IntegriBag” brochure, www.paksher.com, obtained in 2017, prior to Dec. 5, 2017.  
International Search Report and Written Opinion dated Feb. 8, 2018 from International Application No. PCT/US2017/064787.  
Hin Siang Michael Tan, U.S. Appl. No. 29/603,873, filed May 12, 2017.  
Hin Siang Michael Tan, U.S. Appl. No. 29/603,884, filed May 12, 2017.  
Hin Siang Michael Tan, U.S. Appl. No. 29/604,254, filed May 16, 2017.

\* cited by examiner

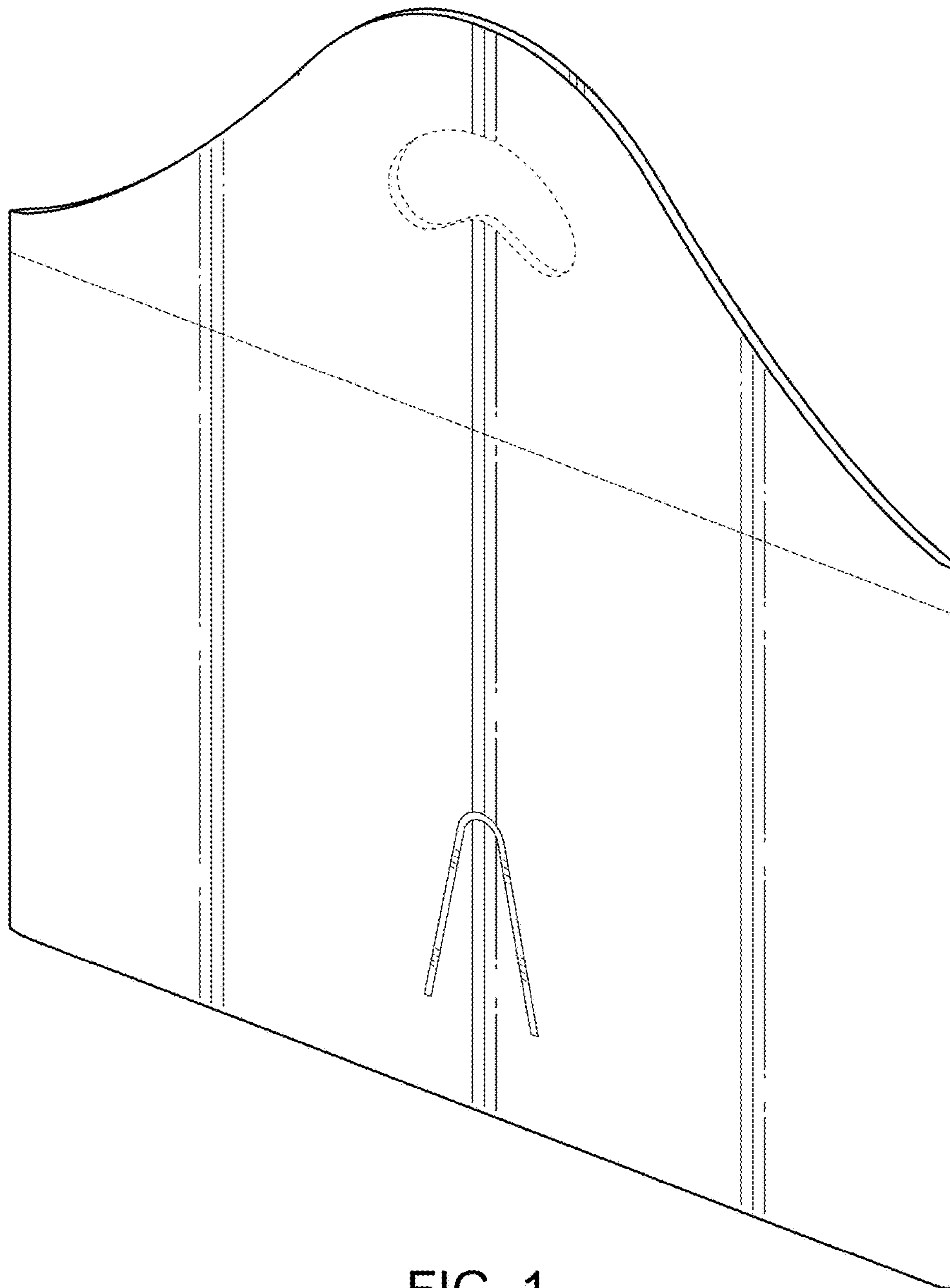


FIG. 1



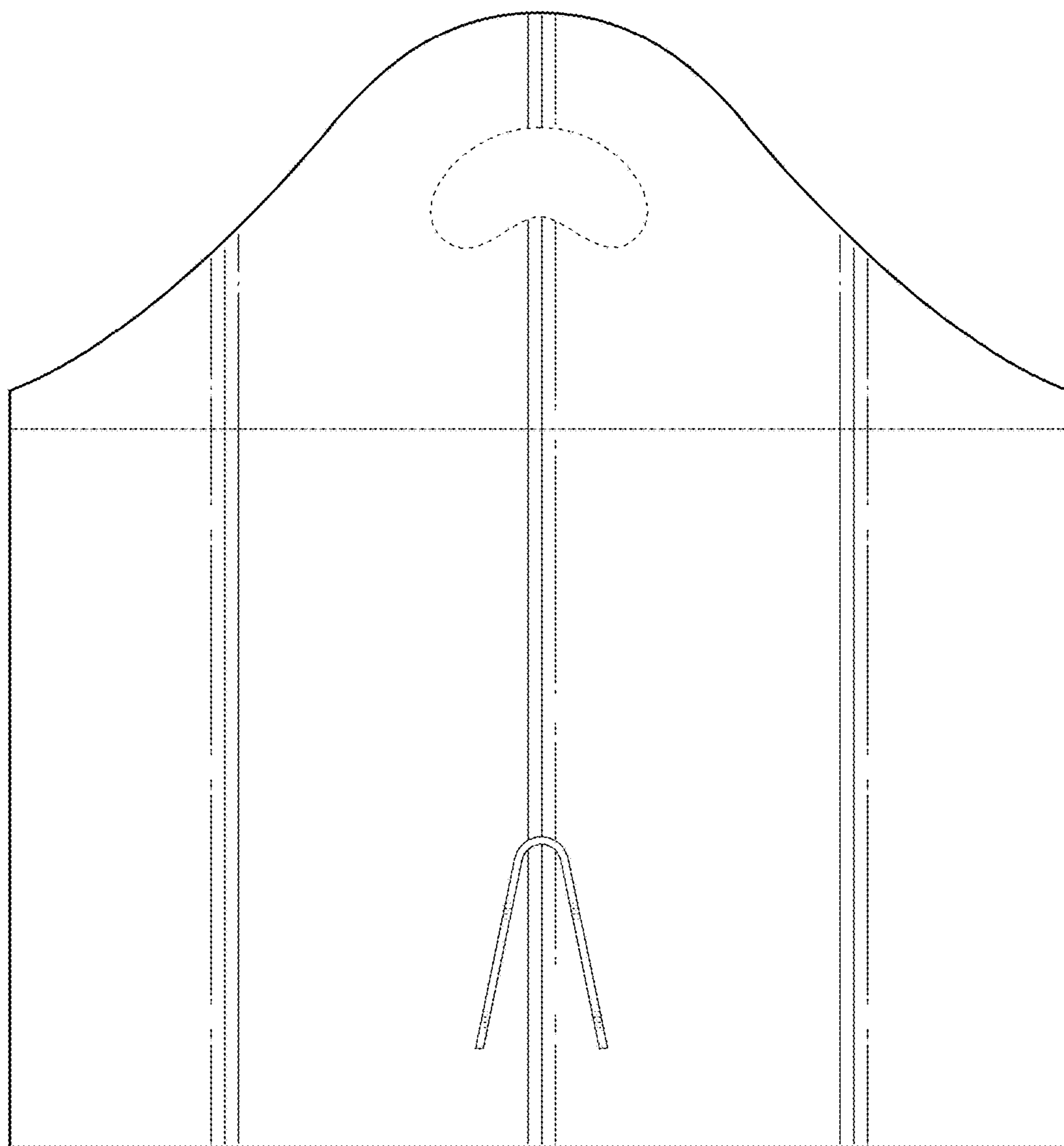


FIG. 2

6 ← → 7

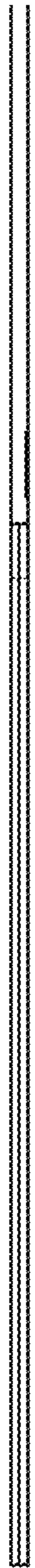


FIG. 3

6 ← → 7

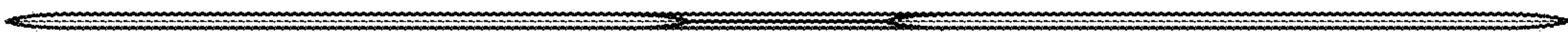


FIG. 4



FIG. 5

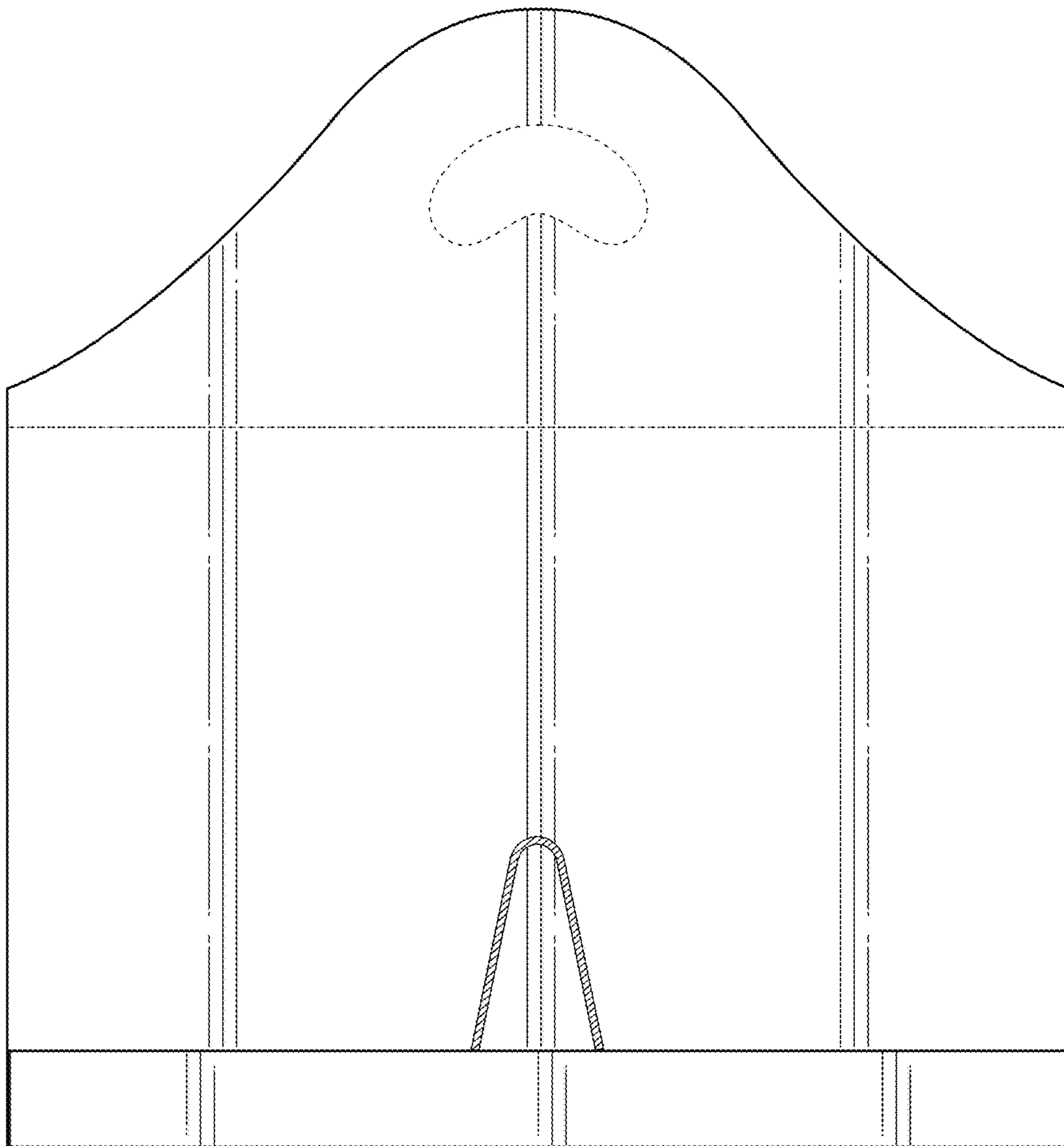


FIG. 6

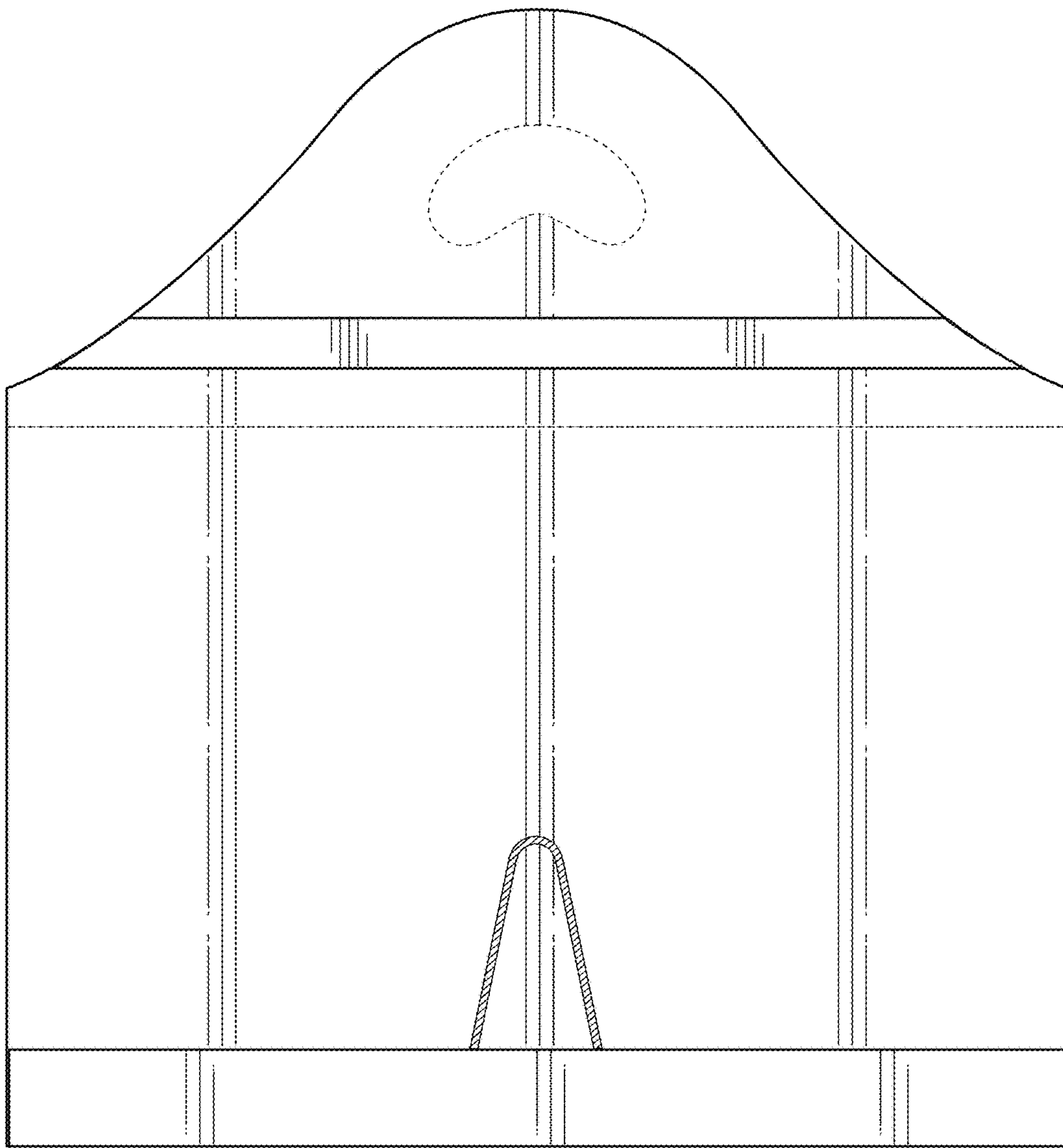


FIG. 7

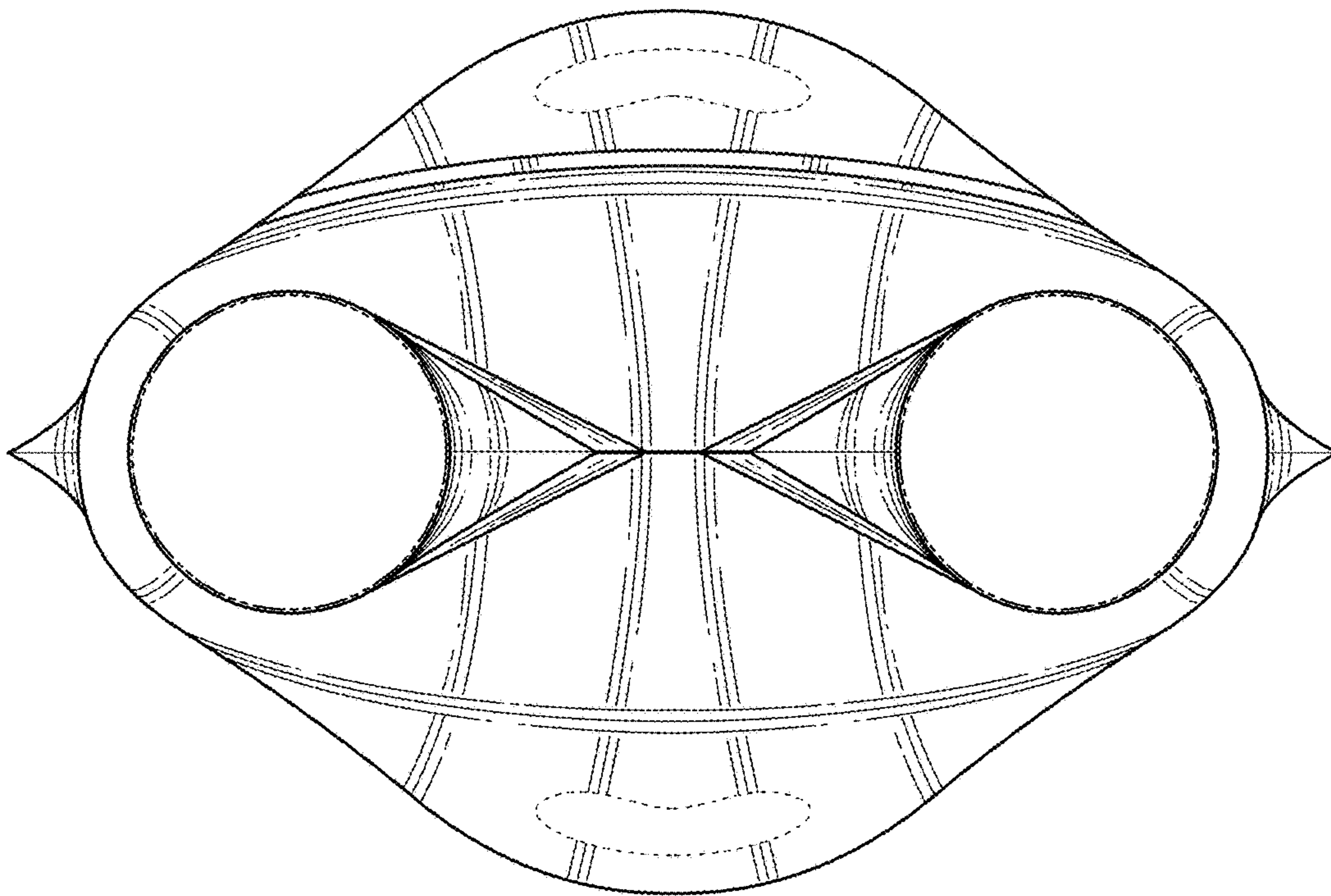


FIG. 8



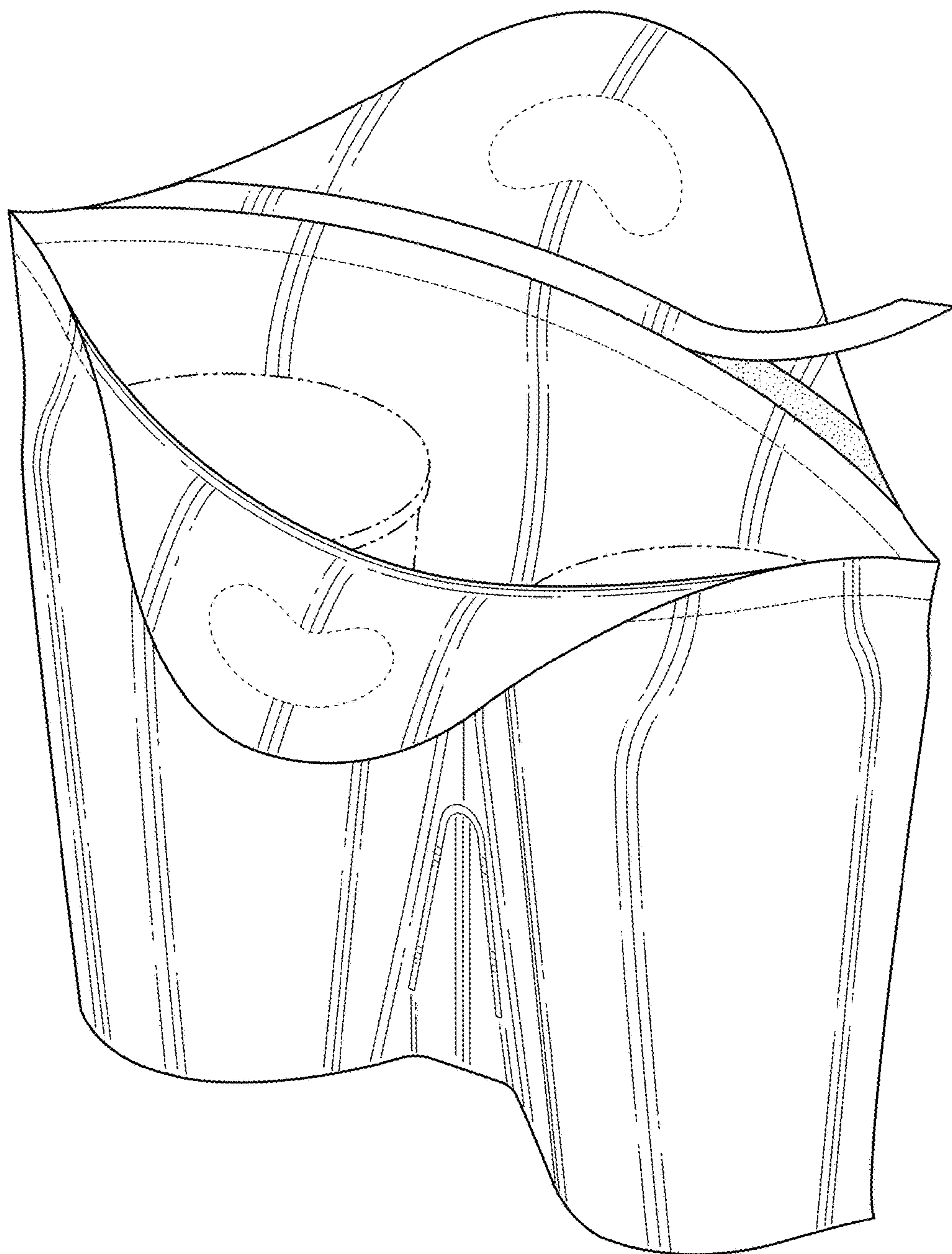


FIG. 9

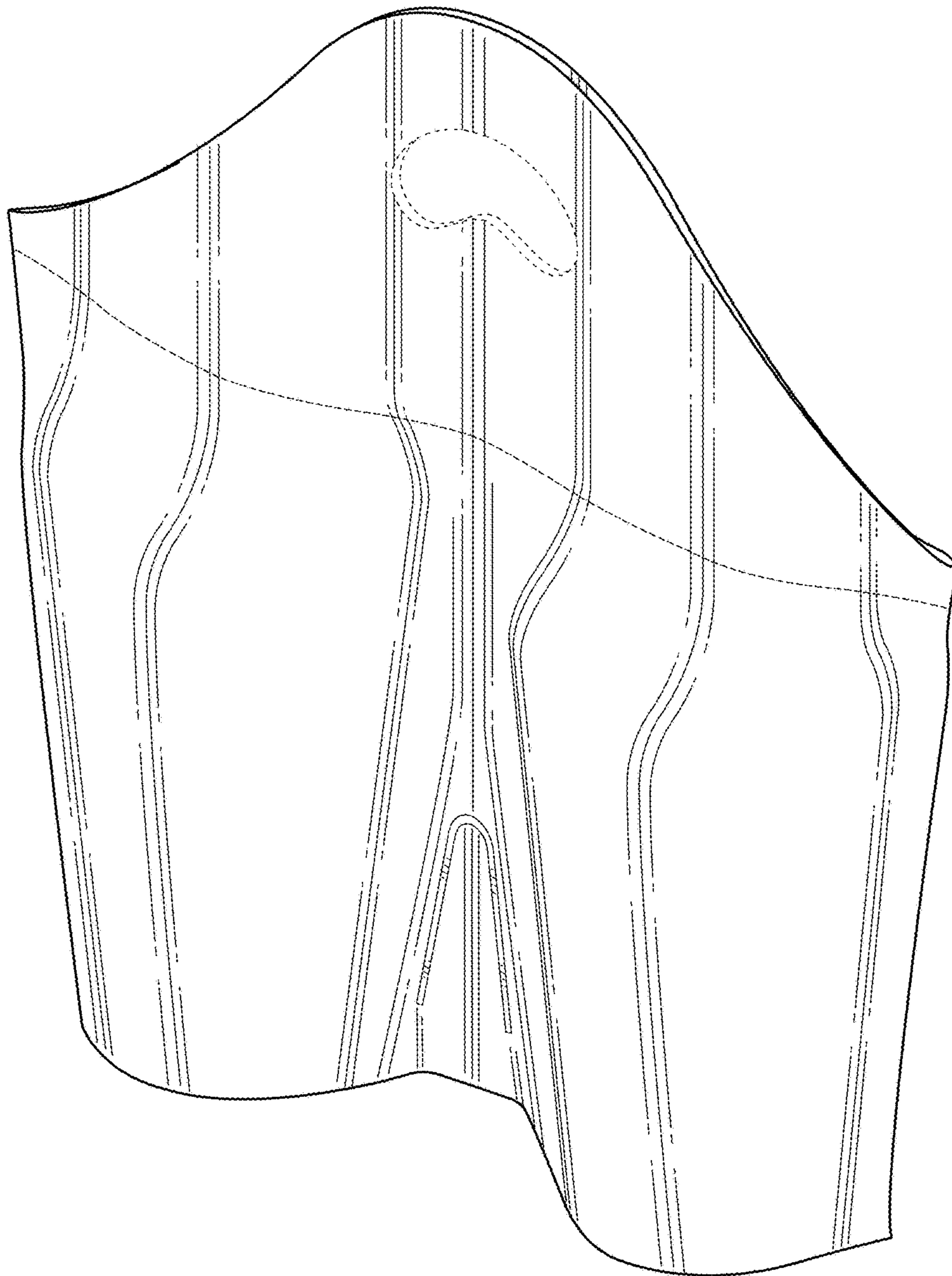


FIG. 10

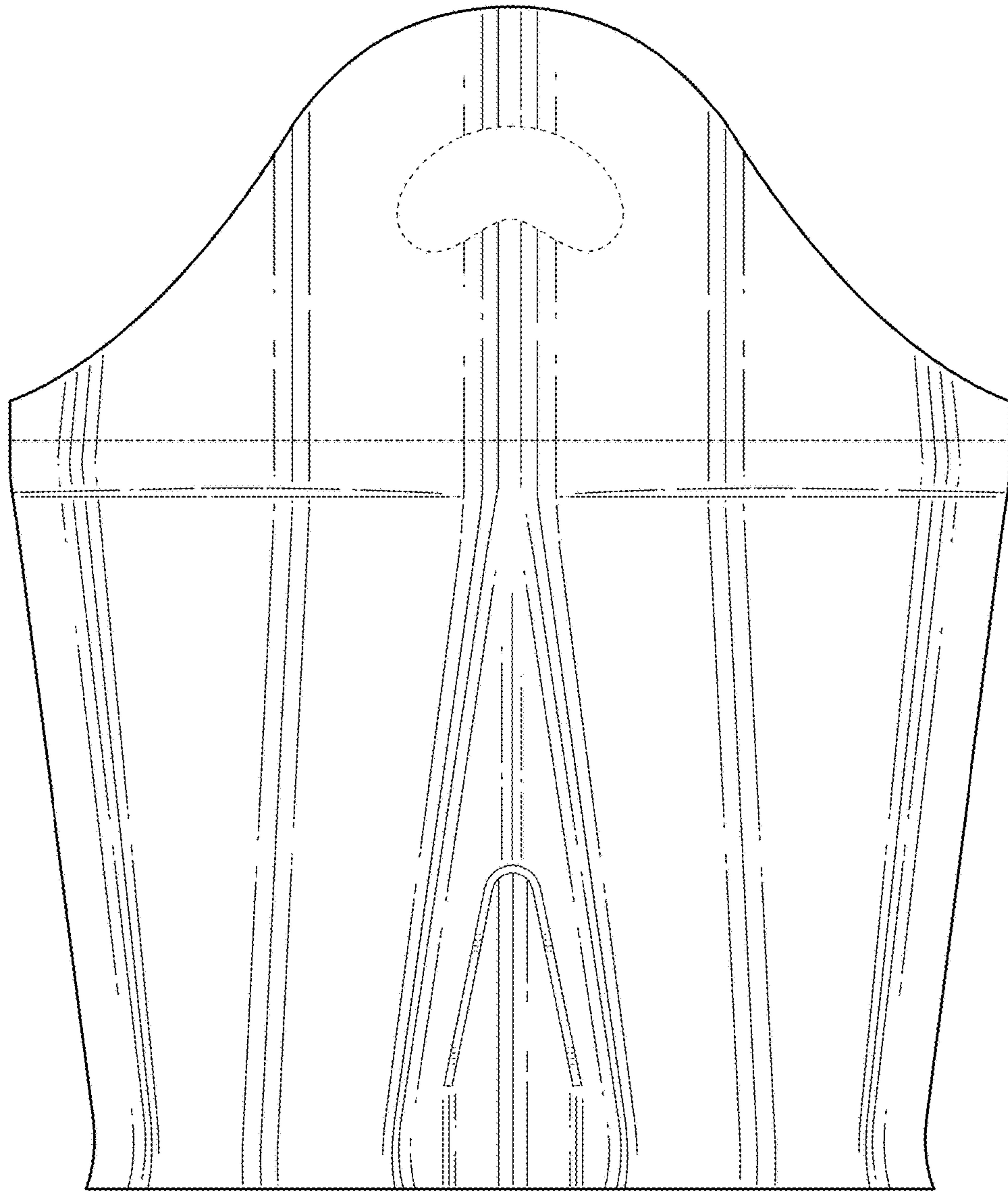


FIG. 11

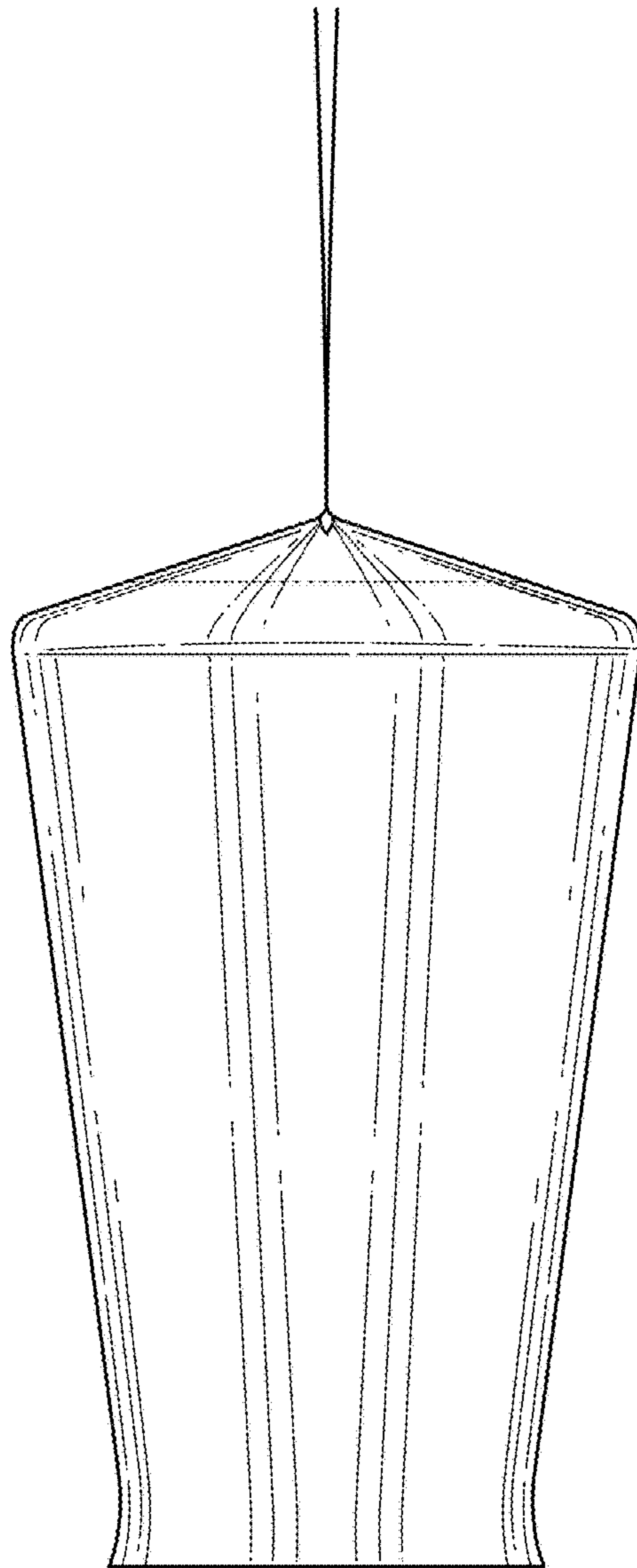


FIG. 12

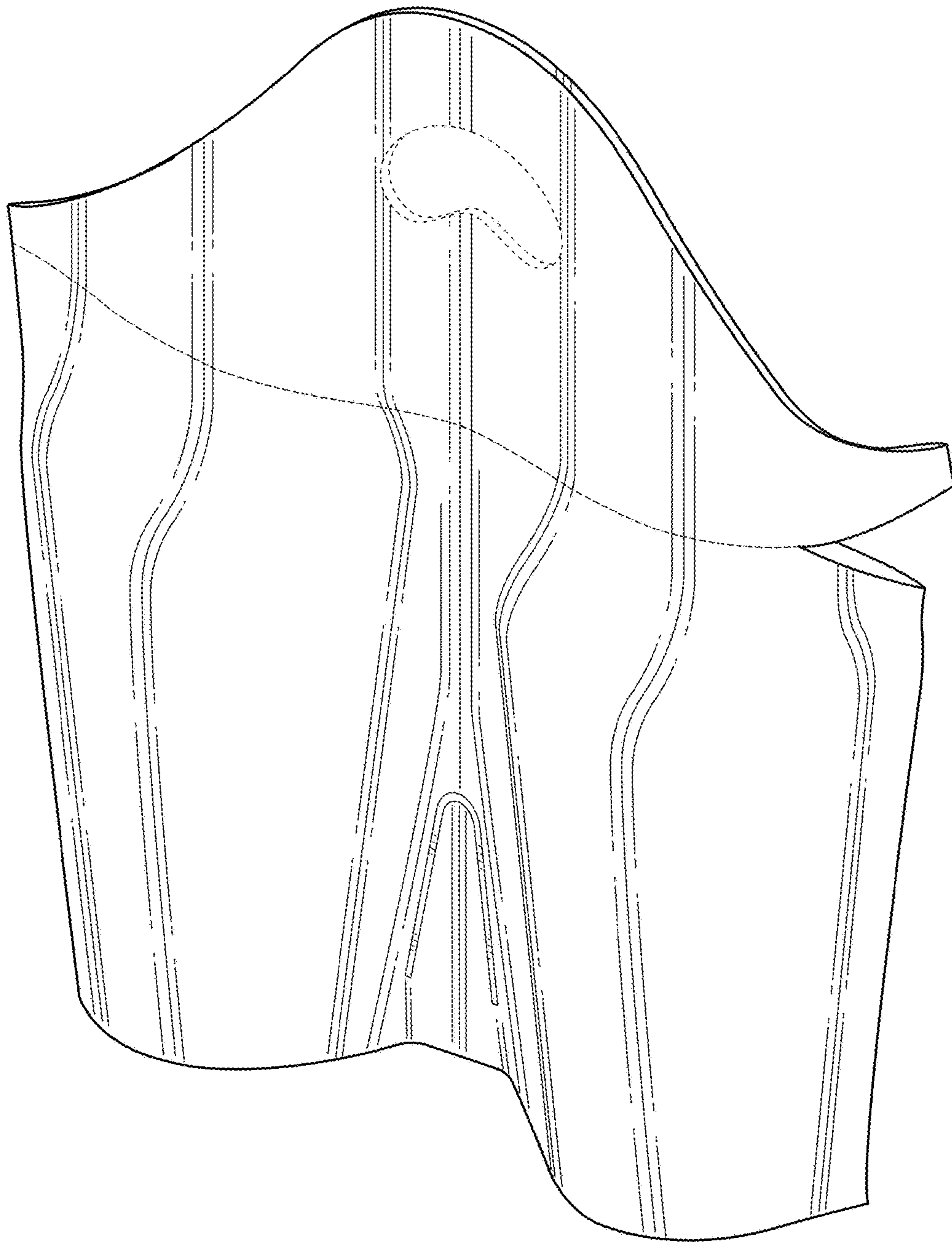


FIG. 13