



US00D840822S

(12) **United States Design Patent** (10) **Patent No.:** **US D840,822 S**
Kimai et al. (45) **Date of Patent:** **** Feb. 19, 2019**

(54) **CONTAINER**

(56) **References Cited**

(71) Applicant: **SHISEIDO COMPANY, LIMITED,**
Tokyo (JP)

U.S. PATENT DOCUMENTS

(72) Inventors: **Mao Kimai,** Tokyo (JP); **Akira Muraoka,** Tokyo (JP)

D333,784 S *	3/1993	Goodman	D3/302
D529,397 S *	10/2006	Lavigne	D9/689
D540,170 S *	4/2007	Canamasas Puigbo	D9/504
D580,767 S *	11/2008	Okin	D9/521
D588,007 S *	3/2009	Limongi	D9/443
D619,896 S *	7/2010	Iwazu	D9/454
D650,280 S *	12/2011	de Peyerimhoff	D9/454
D651,900 S *	1/2012	Ashiwa	D9/504
D695,618 S *	12/2013	Jeong	D9/454
D707,561 S *	6/2014	You	D9/454
9,232,844 B2 *	1/2016	Thompson	A45D 40/00
D796,268 S *	9/2017	Karsevar	D7/551.1

(73) Assignee: **SHISEIDO COMPANY, LIMITED,**
Tokyo (JP)

(**) Term: **15 Years**

(21) Appl. No.: **35/503,833**

(Continued)

(22) Filed: **Apr. 20, 2017**

Primary Examiner — Melanie H Tung

(80) **Hague Agreement Data**

Assistant Examiner — Bao-Yen T Nguyen

Int. Filing Date: **Apr. 20, 2017**

(74) *Attorney, Agent, or Firm* — Andrew F. Young, ESQ.;
Lackebach Siegel, LLP

Int. Reg. No.: **DM/097274**

Int. Reg. Date: **Apr. 20, 2017**

Int. Reg. Pub. Date: **Oct. 20, 2017**

(57) **CLAIM**

The ornamental design for a container, as shown and described.

(30) **Foreign Application Priority Data**

DESCRIPTION

Oct. 20, 2016 (JP)	2016-22820
Oct. 20, 2016 (JP)	2016-22821
Oct. 20, 2016 (JP)	2016-22822

- 1.1: Front
- 1.2: Back
- 1.3: Top
- 1.4: Bottom
- 1.5: Left
- 1.6: Right

(51) **LOC (11) Cl.** **09-01**

(52) **U.S. Cl.**
USPC **D9/529**

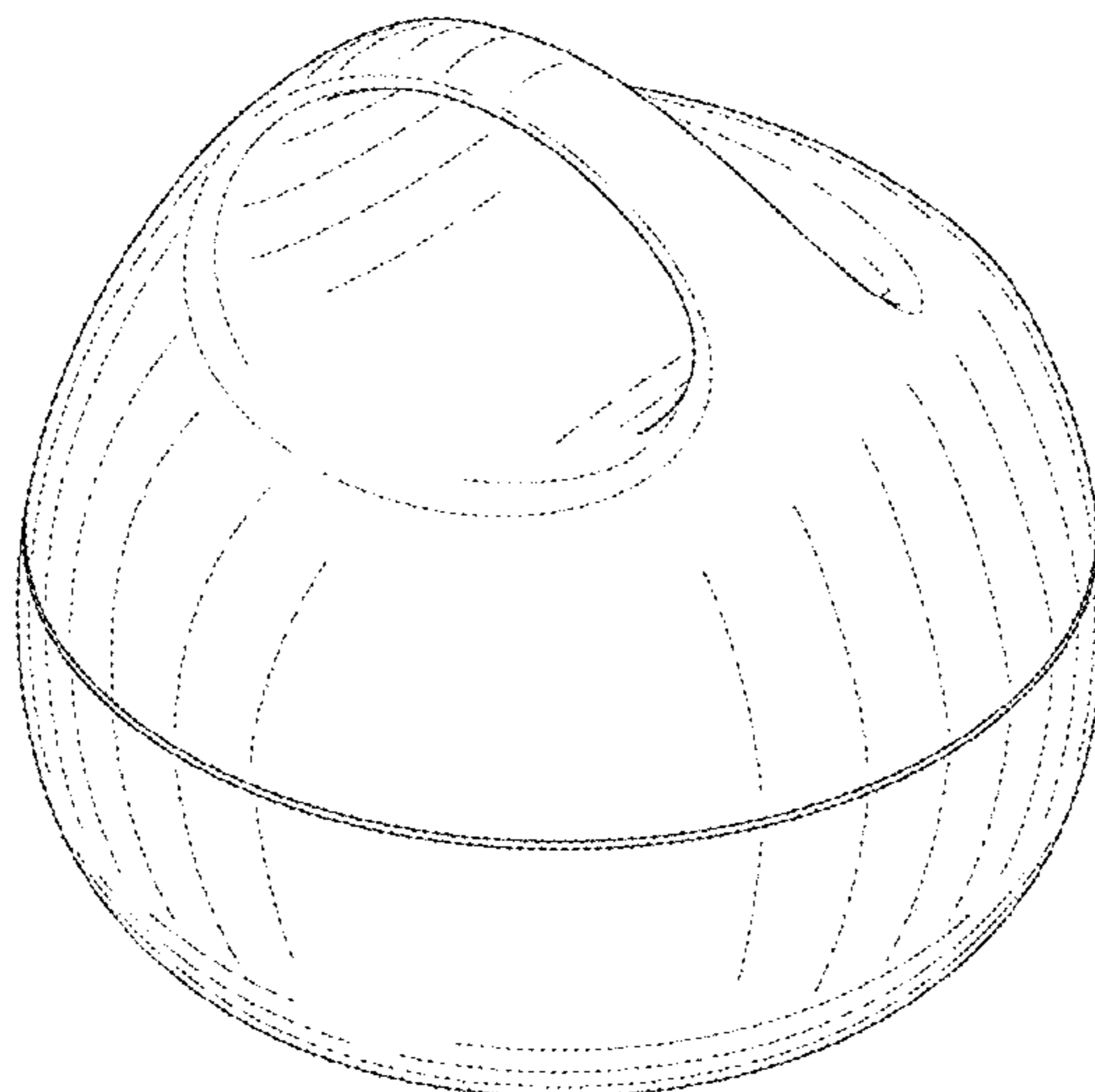
- 1.7: Perspective
- 1.8: Cross-sectional
- 1.9: Cross-sectional

(58) **Field of Classification Search**
USPC D9/428, 414, 424, 434, 435, 454, 500,
D9/503, 504, 516, 519, 529, 549, 558,
D9/715; D7/400, 601, 602, 608, 612,
D7/615, 629, 630; D26/6, 9-11, 22
CPC B65D 25/04; B65D 43/03; B65D 43/16;
B65D 43/0212; B65D 1/00; B65D 1/02;
B65D 1/0223; B65D 23/00; B65D 81/00;
B65D 2501/00; B65D 2501/0009

Representation 1.8 is, the sectional view cut vertically along the center line of the front view, respectively; Representation 1.9 is, the section view cut vertically along the center line of the left side view, respectively; the shadings indicated by thin lines are intended only to represent the three-dimensional shape of the surfaces of the design.

See application file for complete search history.

1 Claim, 9 Drawing Sheets



(56)

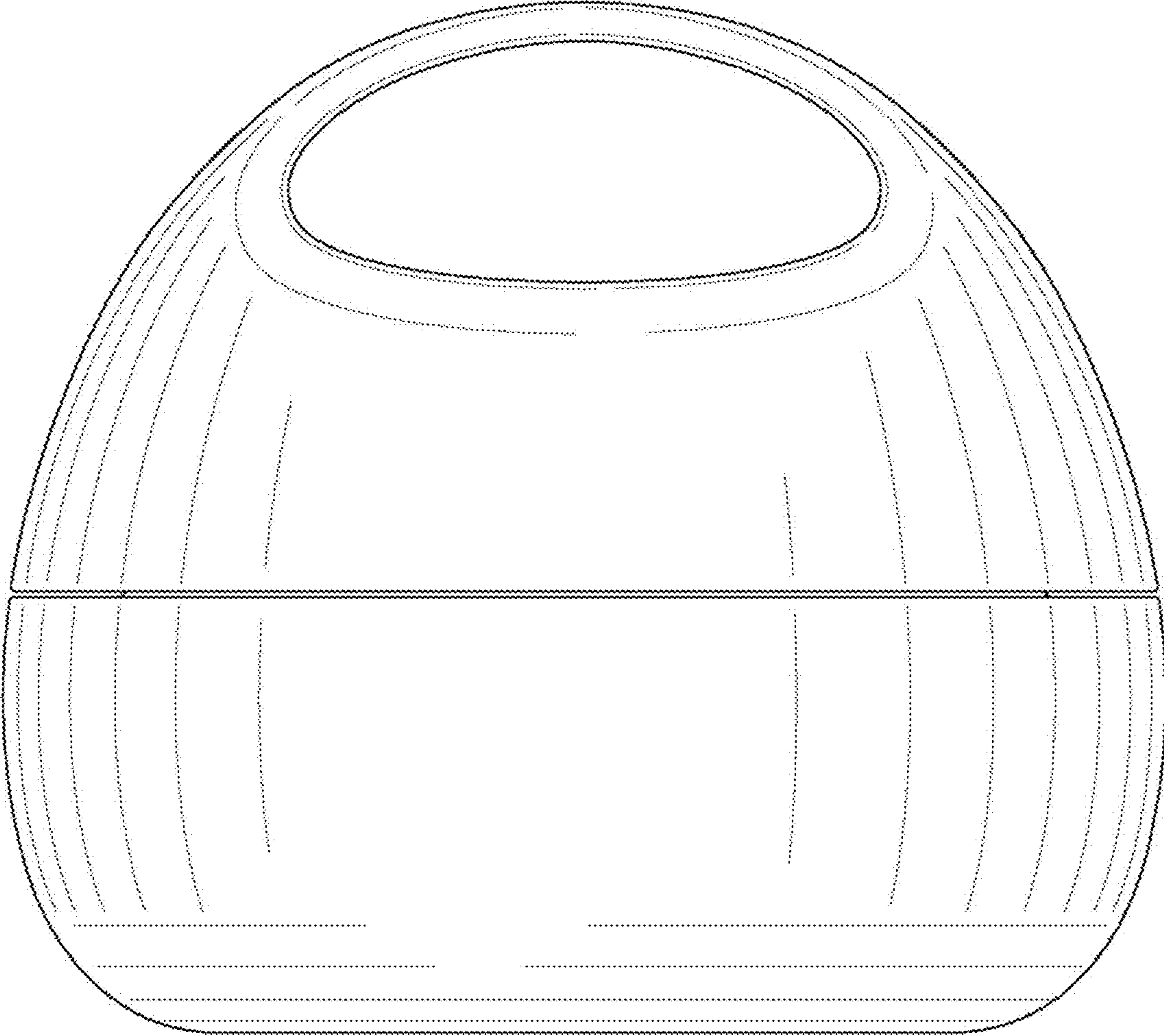
References Cited

U.S. PATENT DOCUMENTS

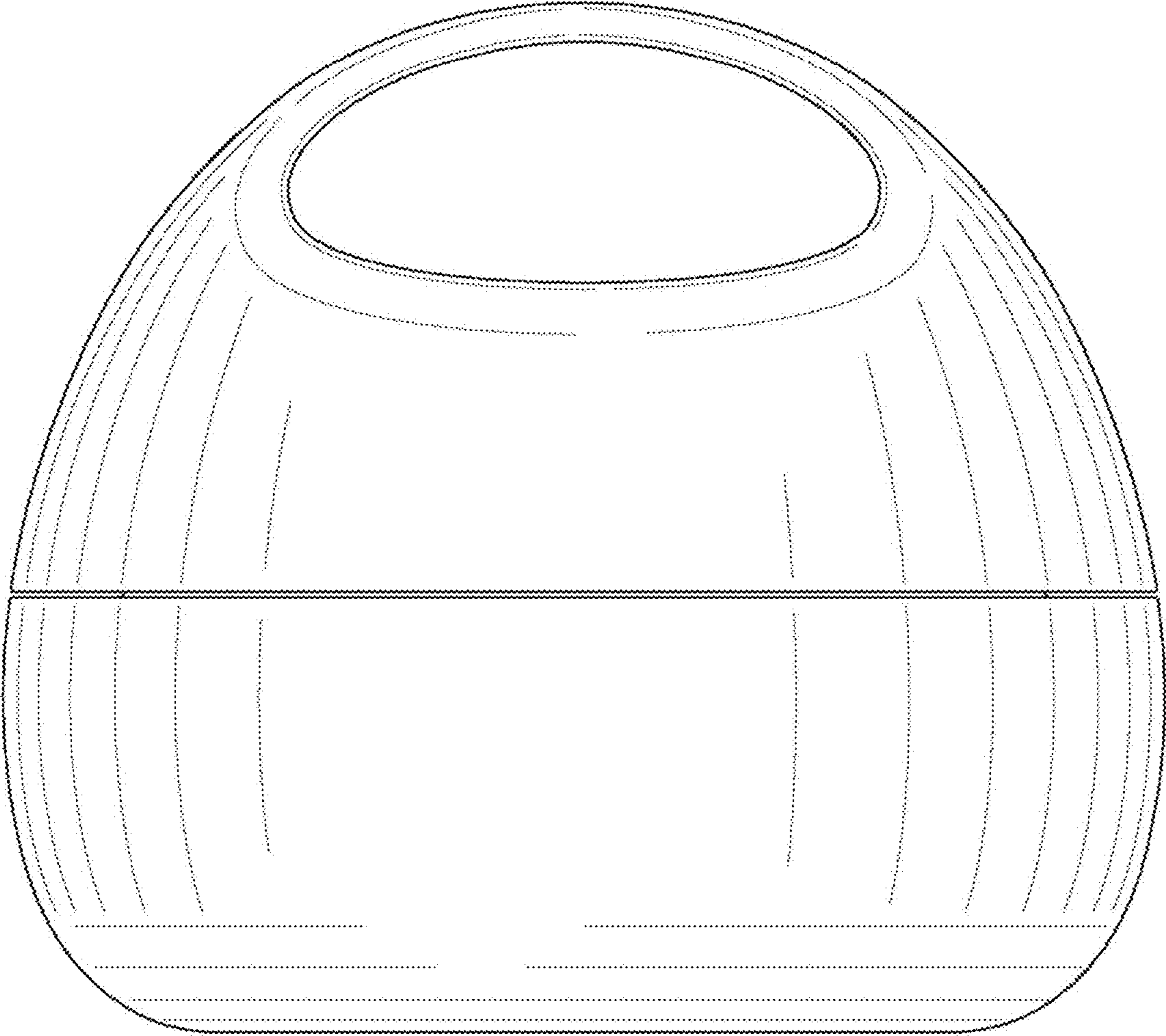
D803,060 S * 11/2017 Marina D9/504
D809,914 S * 2/2018 Weernink D9/503
D814,301 S * 4/2018 Weinrich D9/503
D818,648 S * 5/2018 Cleij D28/85
2011/0135377 A1* 6/2011 Teller A45D 40/00
401/88
2016/0295993 A1* 10/2016 Wojcik A45D 40/0068

* cited by examiner

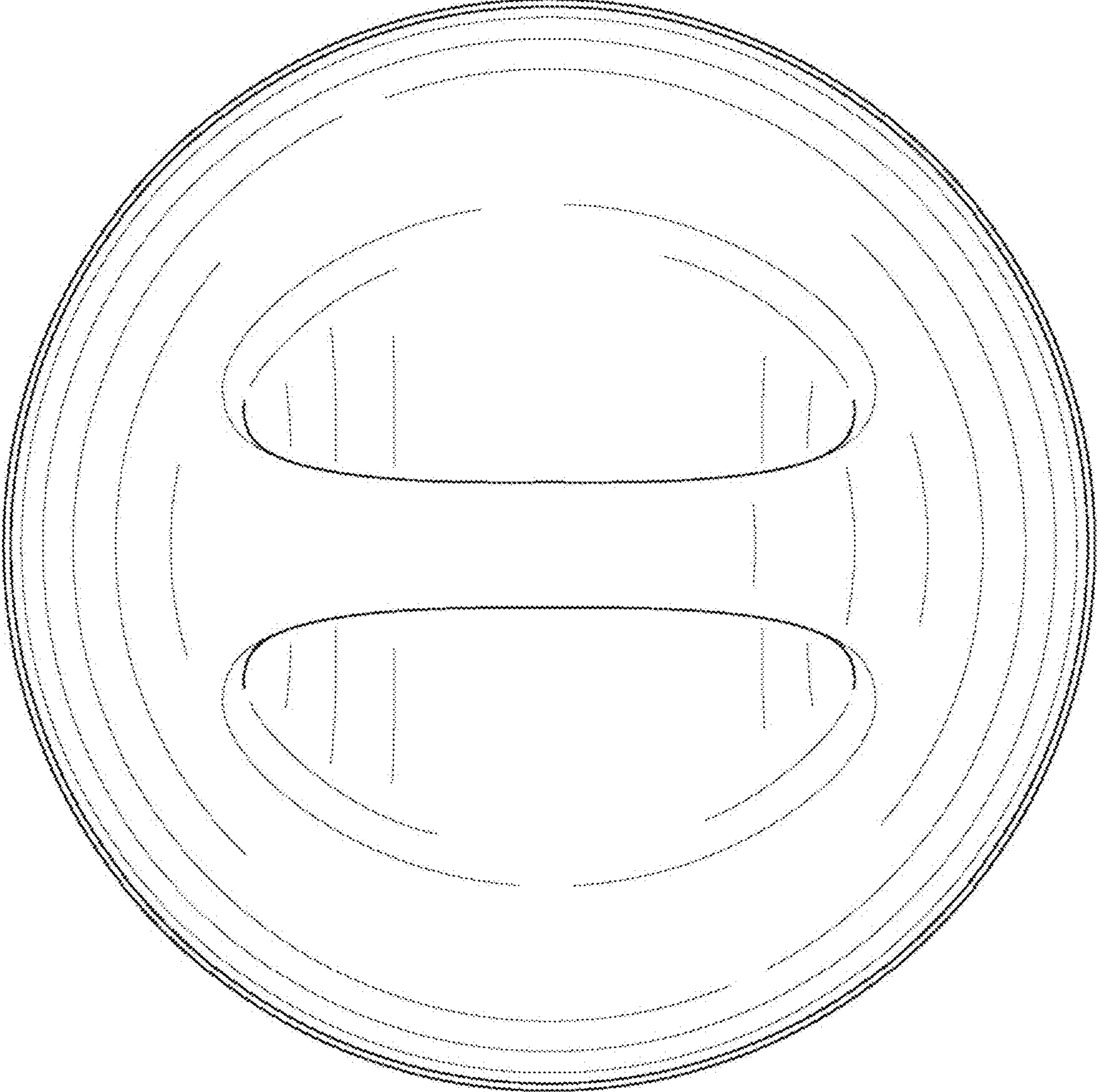
1.1



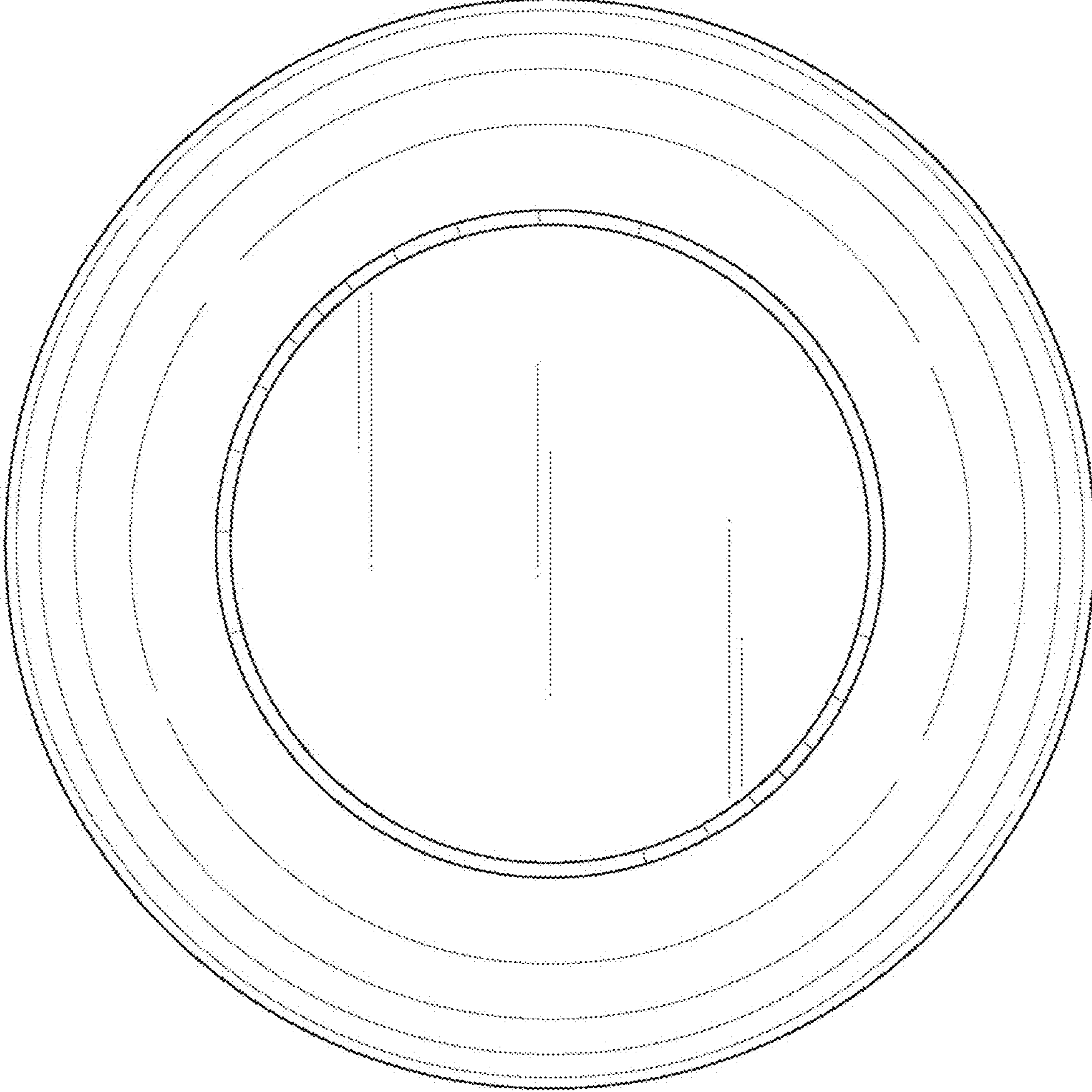
1.2



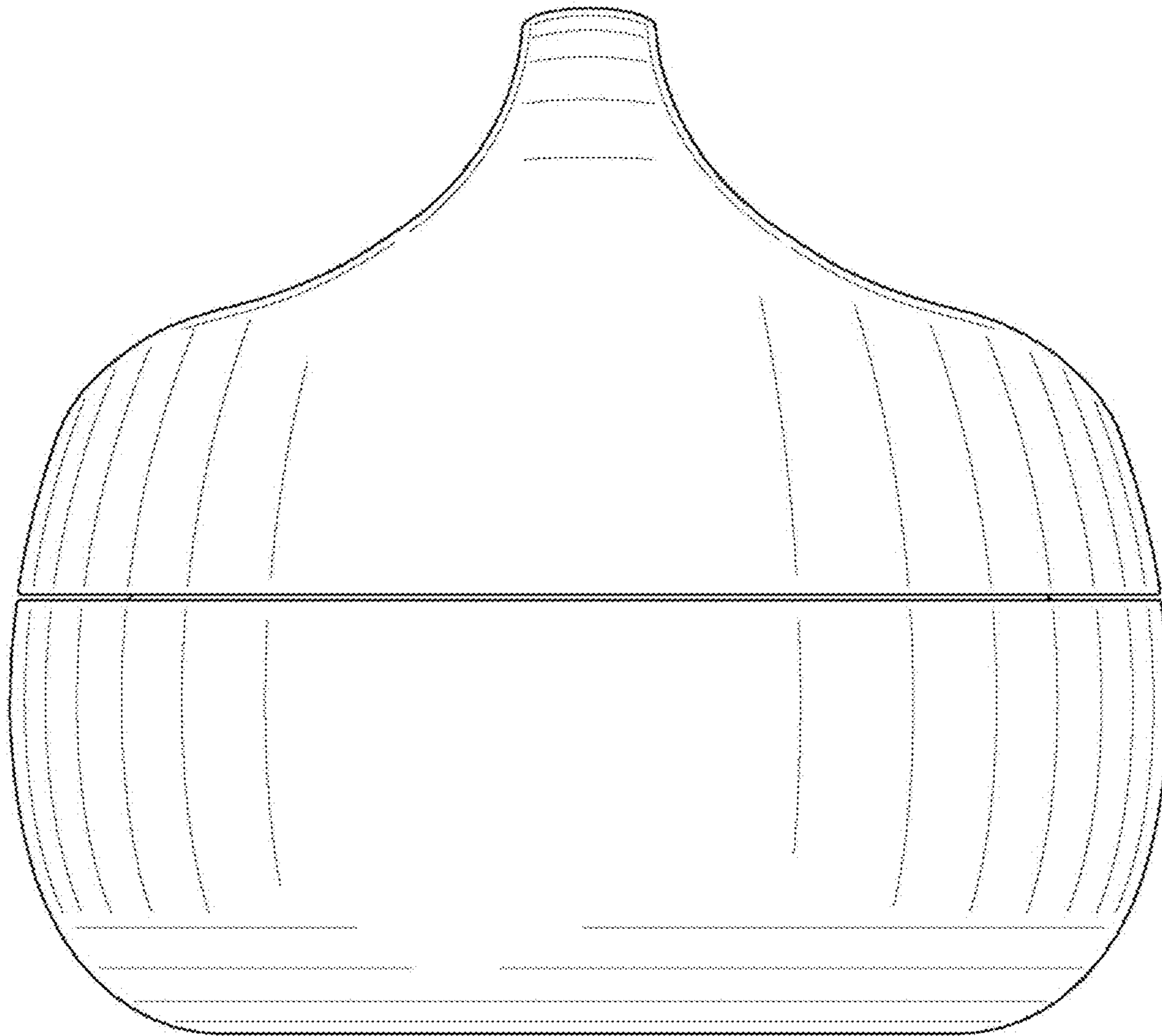
1.3



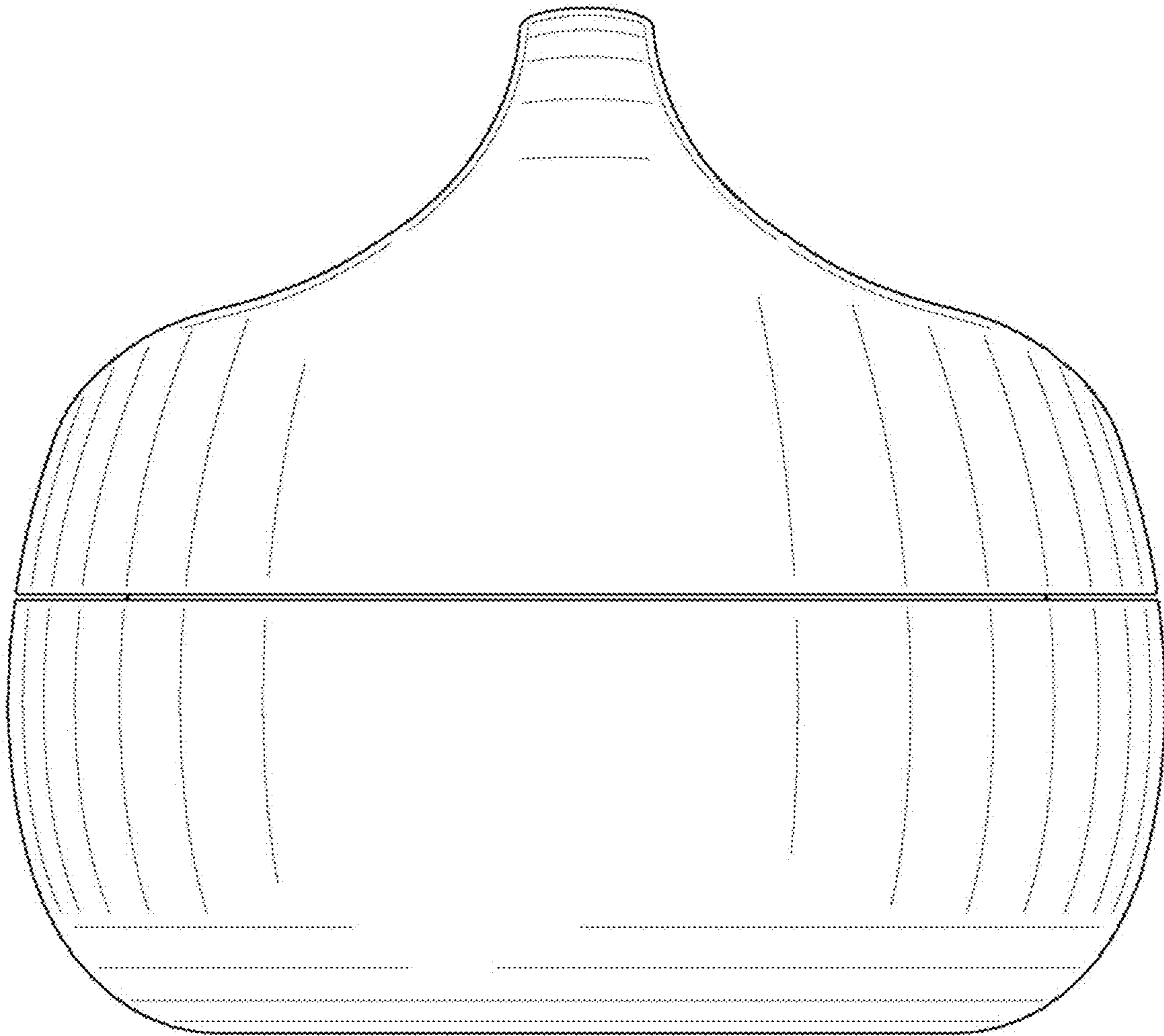
1.4



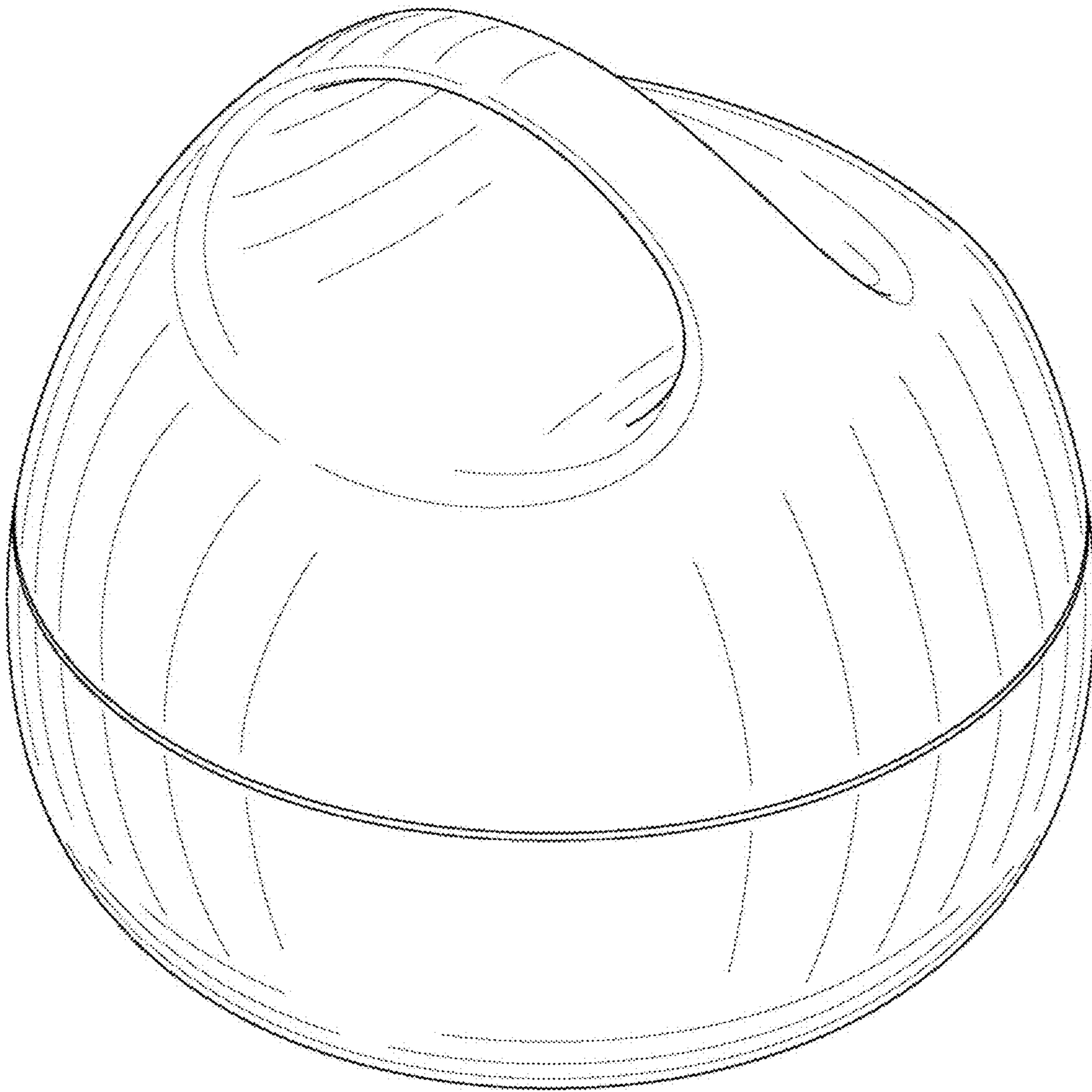
1.5



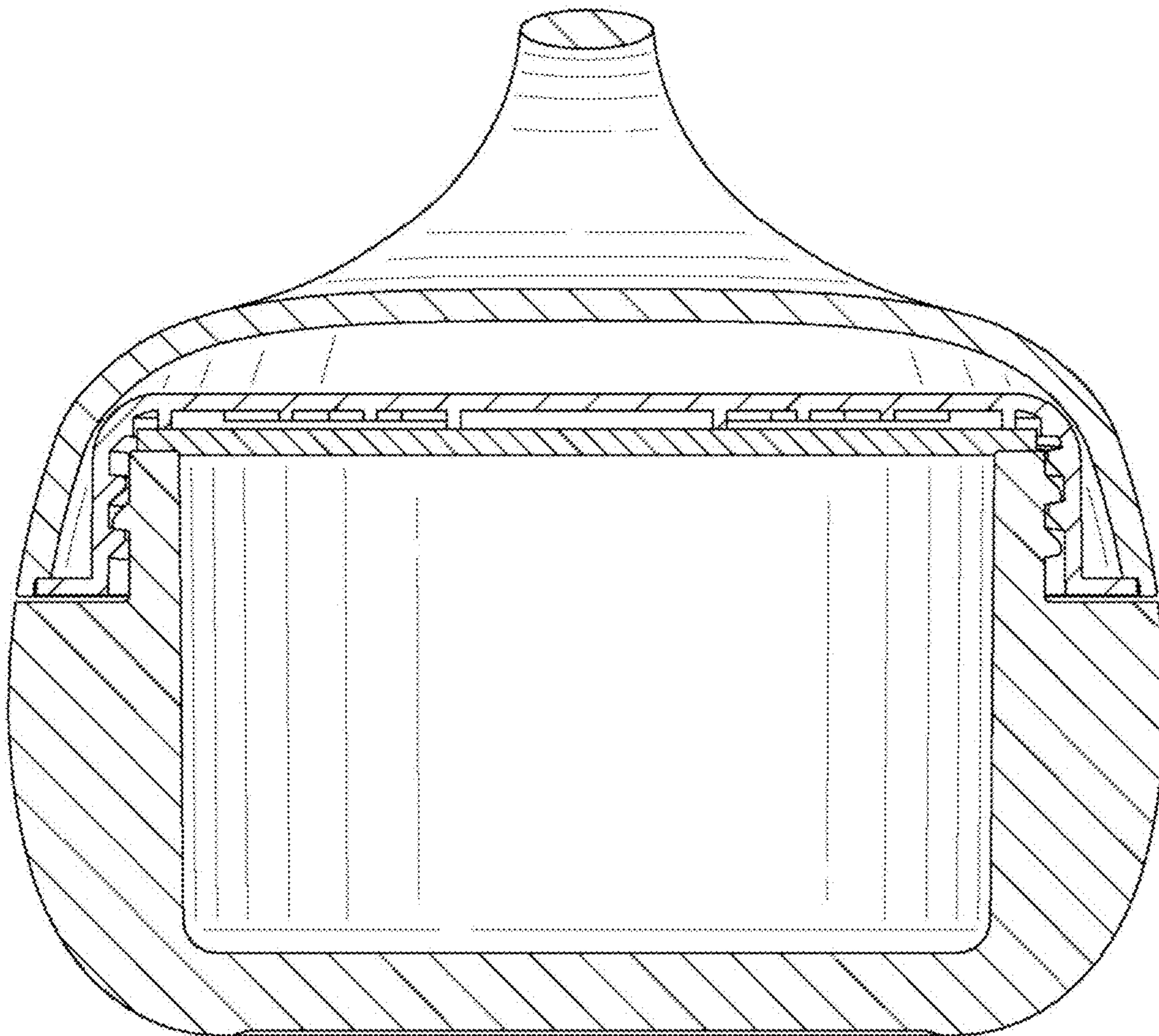
1.6



1.7



1.8



1.9

