



US00D840821S

(12) **United States Design Patent**
Kokubo

(10) **Patent No.:** **US D840,821 S**

(45) **Date of Patent:** **** Feb. 19, 2019**

(54) **CHILD-PROOF EYE DROP CONTAINER**

(71) Applicant: **Rohto Pharmaceutical Co., Ltd.**,
Osaka (JP)

(72) Inventor: **Shigehiko Kokubo**, Osaka (JP)

(73) Assignee: **Rohto Pharmaceutical Co., Ltd.**,
Osaka (JP)

(**) Term: **15 Years**

(21) Appl. No.: **29/581,595**

(22) Filed: **Oct. 20, 2016**

(30) **Foreign Application Priority Data**

Apr. 21, 2016 (JP) 2016-008865

(51) **LOC (11) Cl.** **09-01**

(52) **U.S. Cl.**
USPC **D9/529; D24/115**

(58) **Field of Classification Search**
USPC D24/110, 115, 116, 118, 121, 129, 127;
D9/529, 435, 444, 558, 574, 504, 516,
(Continued)

(56) **References Cited**

U.S. PATENT DOCUMENTS

D527,816 S * 9/2006 Nishibayashi D24/110
D528,654 S * 9/2006 Nishibayashi D24/110
(Continued)

FOREIGN PATENT DOCUMENTS

GB 1414957 A 11/1975
JP 1079881 S 7/2000
(Continued)

OTHER PUBLICATIONS

HJ2506151600 Website <URL: http://photo.kenko.com/E351061H_L.jpg>, (Kenko Com Corp.) Feb. 28, 2014, [database online], [retrieved on Feb. 10, 2014] Retrieved from the Known Design

Database of the Japan Patent Office using Internet <URL: https://www.j-platpat.inpit.go.jp/web/ishou/dpsj/DPSJ_GM201_Top.action>.

Primary Examiner — Garth Rademaker

Assistant Examiner — Samantha Q. Lawrence

(74) *Attorney, Agent, or Firm* — Kenja IP Law PC

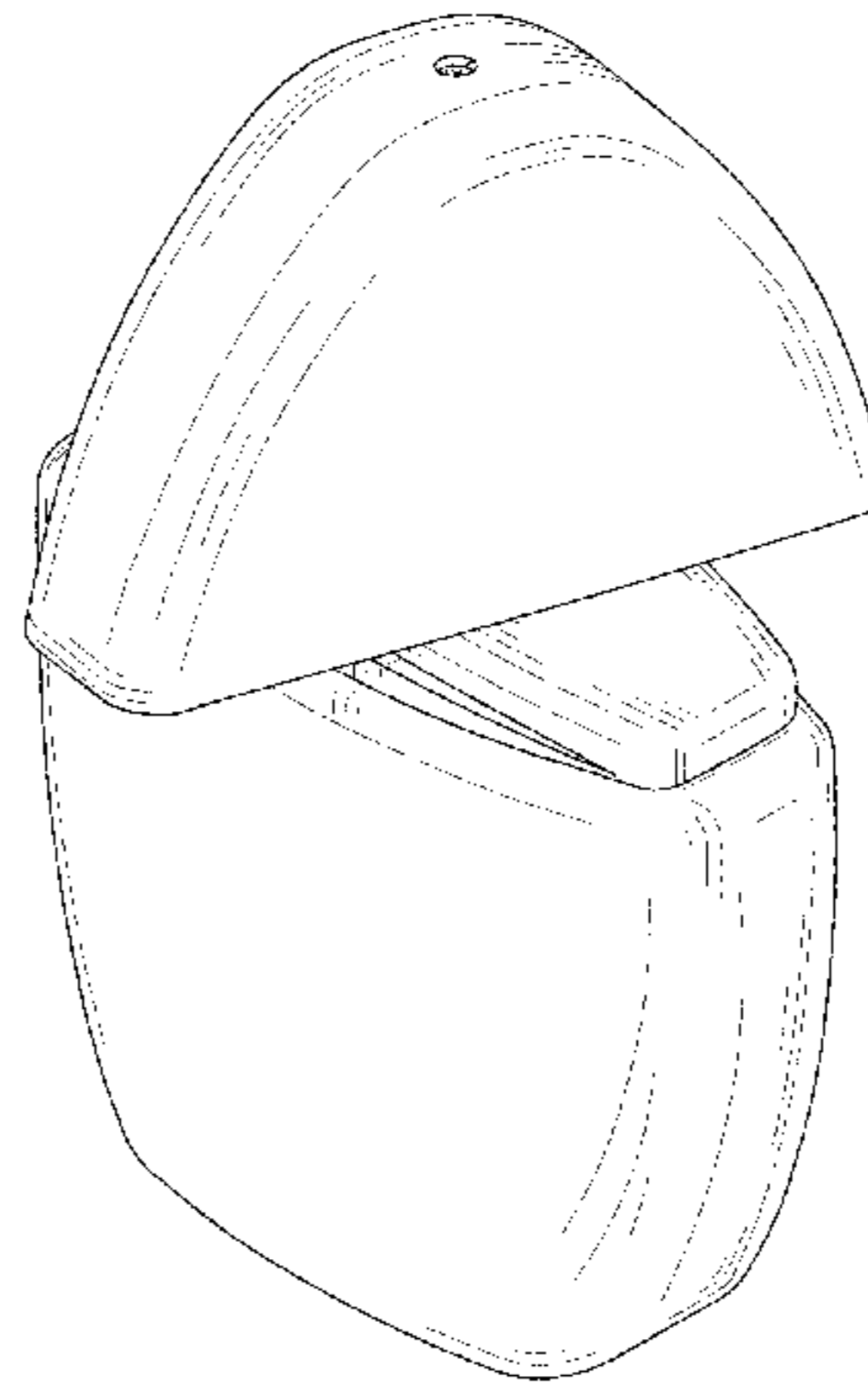
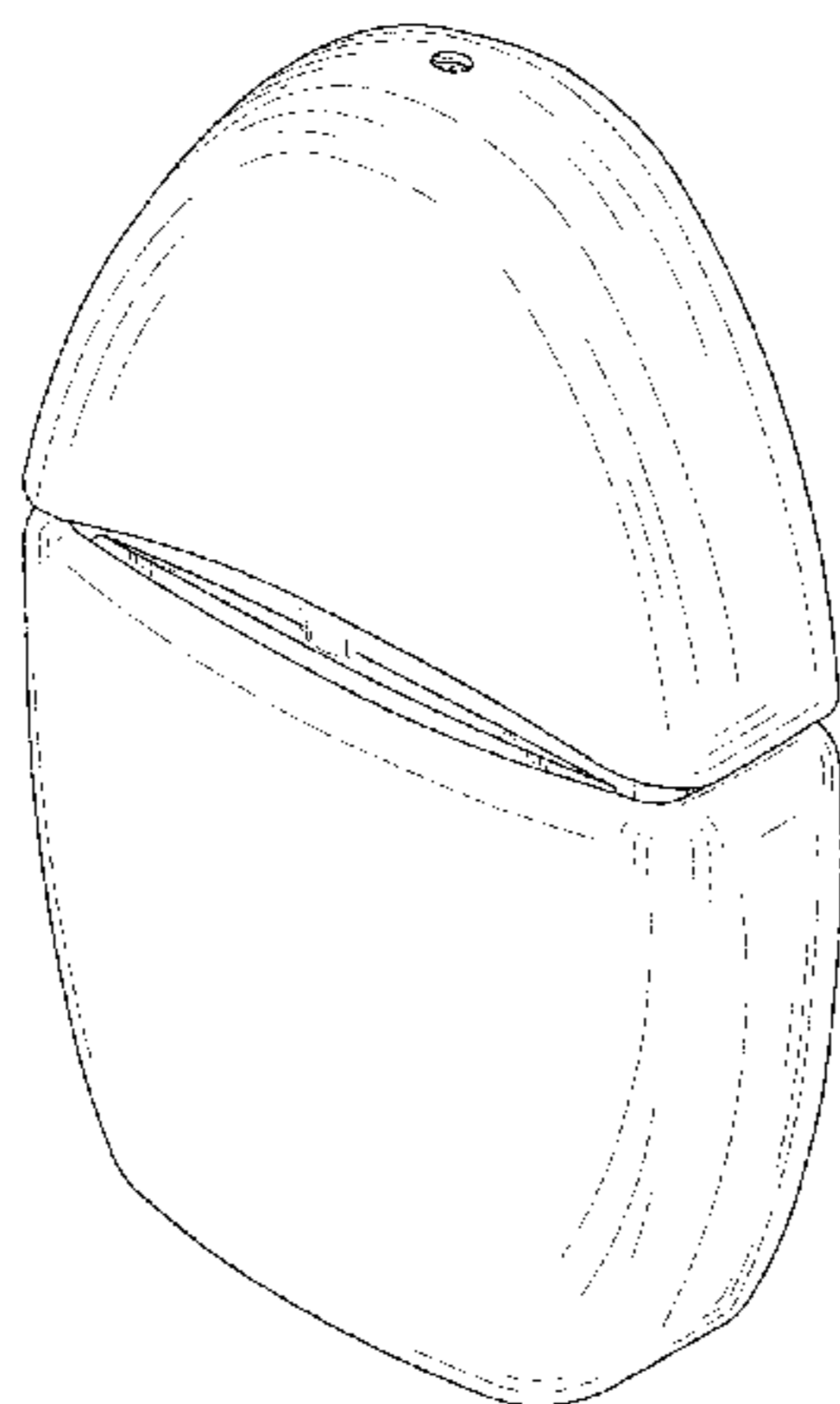
(57) **CLAIM**

The ornamental design for a child-proof eye drop container, as shown and described.

DESCRIPTION

FIG. 1 is a front perspective view of a child-proof eye drop container showing my new design;
FIG. 2 is a front view thereof;
FIG. 3 is an exploded front view thereof, showing the container and the cap comprising the upper turnable component and the base component;
FIG. 4 is a top view thereof;
FIG. 5 is a bottom view thereof;
FIG. 6 is a right side view thereof;
FIG. 7 is a front perspective view thereof, showing the container in a closed state where the upper component of the cap is turned at an angle;
FIG. 8 is a front view thereof, showing the container in a closed state where the upper component of the cap is turned at an angle;
FIG. 9 is a right side view thereof, showing the container in a closed state where the upper component of the cap is turned at an angle;
FIG. 10 is a top view thereof, showing the container in a closed state where the upper component of the cap is turned at an angle;
FIG. 11 is a bottom view thereof, showing the container in a closed state where the upper component of the cap is turned at an angle; and,
FIG. 12 is a bottom perspective view thereof.

1 Claim, 12 Drawing Sheets



(58) **Field of Classification Search**

USPC D9/544, 549; 215/273, 283, 285, 329;
220/212
CPC A61F 9/0008; A61F 9/0026; A61F
2230/0091; A61F 2250/0004; B65D
47/18; A61H 35/02; A61M 35/003; A61M
35/00

See application file for complete search history.

(56) **References Cited**

U.S. PATENT DOCUMENTS

D546,442 S * 7/2007 Collins D24/115
D552,230 S * 10/2007 Collins D24/110
D552,232 S * 10/2007 Collins D24/110
D552,730 S * 10/2007 Collins D24/110
D613,397 S * 4/2010 Nakao D24/110
D628,490 S 12/2010 Sato et al.
D806,858 S * 1/2018 Lu; Zhuoxi D24/110
D829,555 S * 10/2018 Kokubo; Shigehiko D9/529
2011/0031207 A1* 2/2011 Kokubo A61F 9/0008
215/43

FOREIGN PATENT DOCUMENTS

JP 1080346 S 7/2000
JP 1080347 S 7/2000

* cited by examiner

FIG. 1

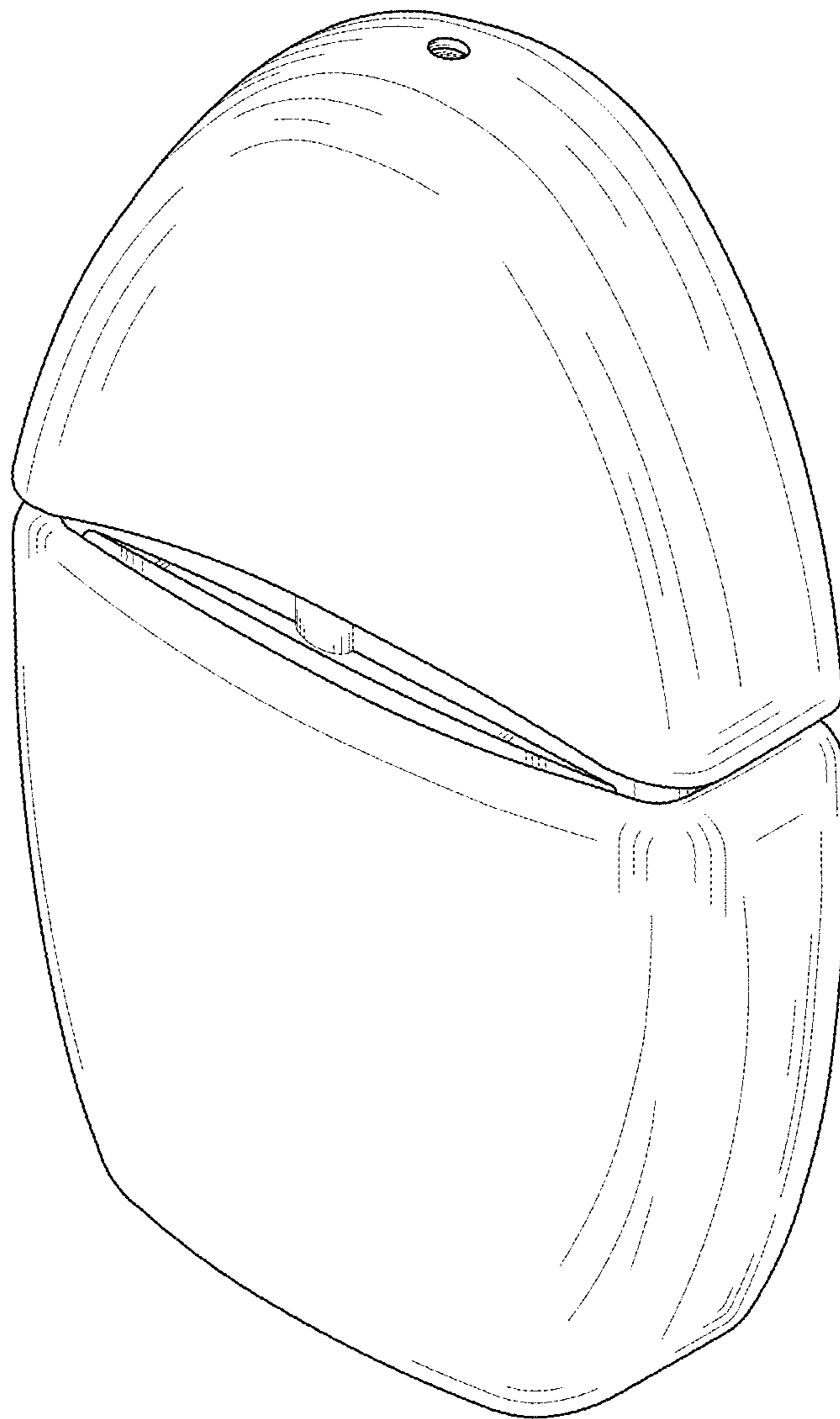


FIG. 2

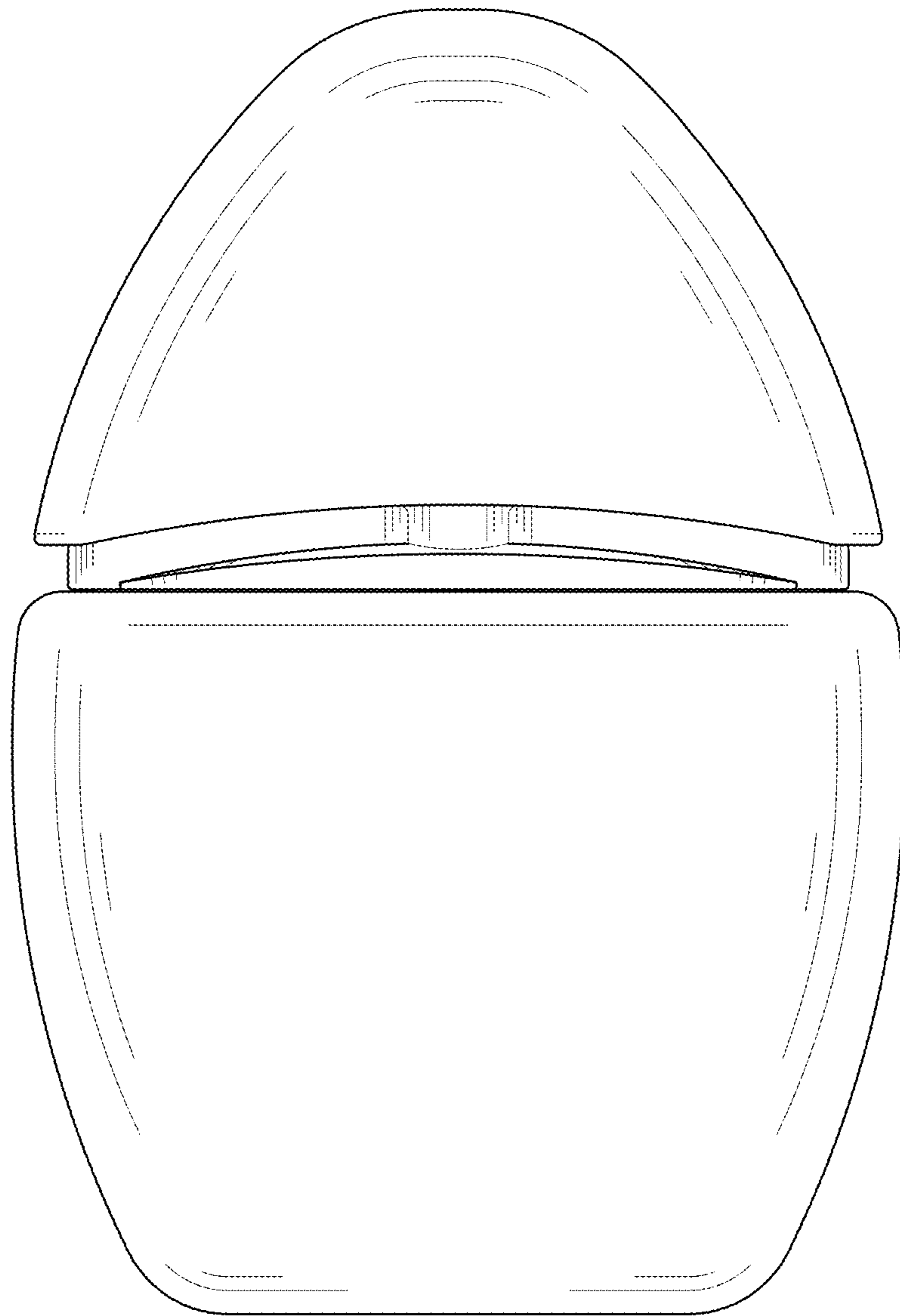


FIG. 3

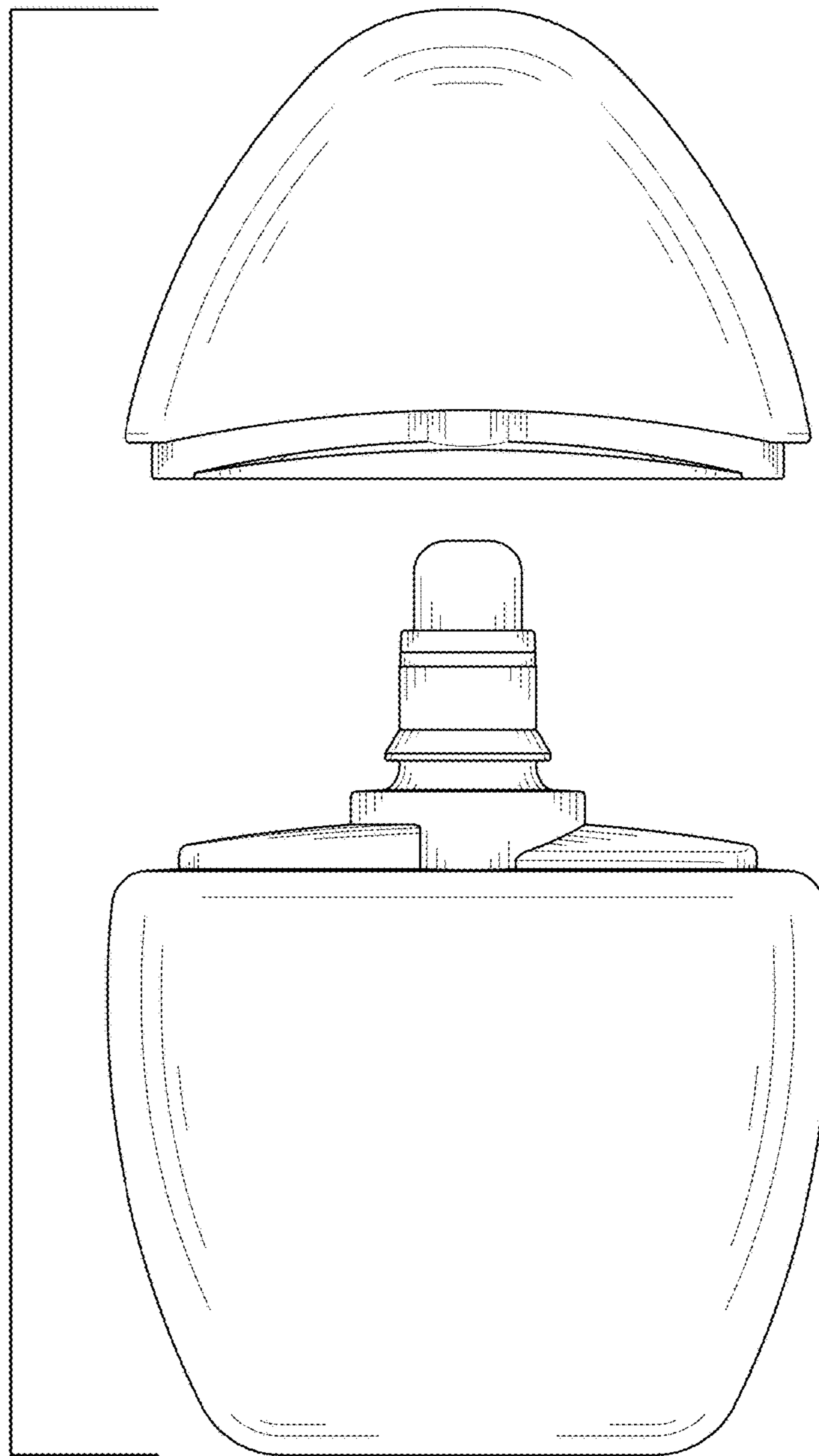


FIG. 4

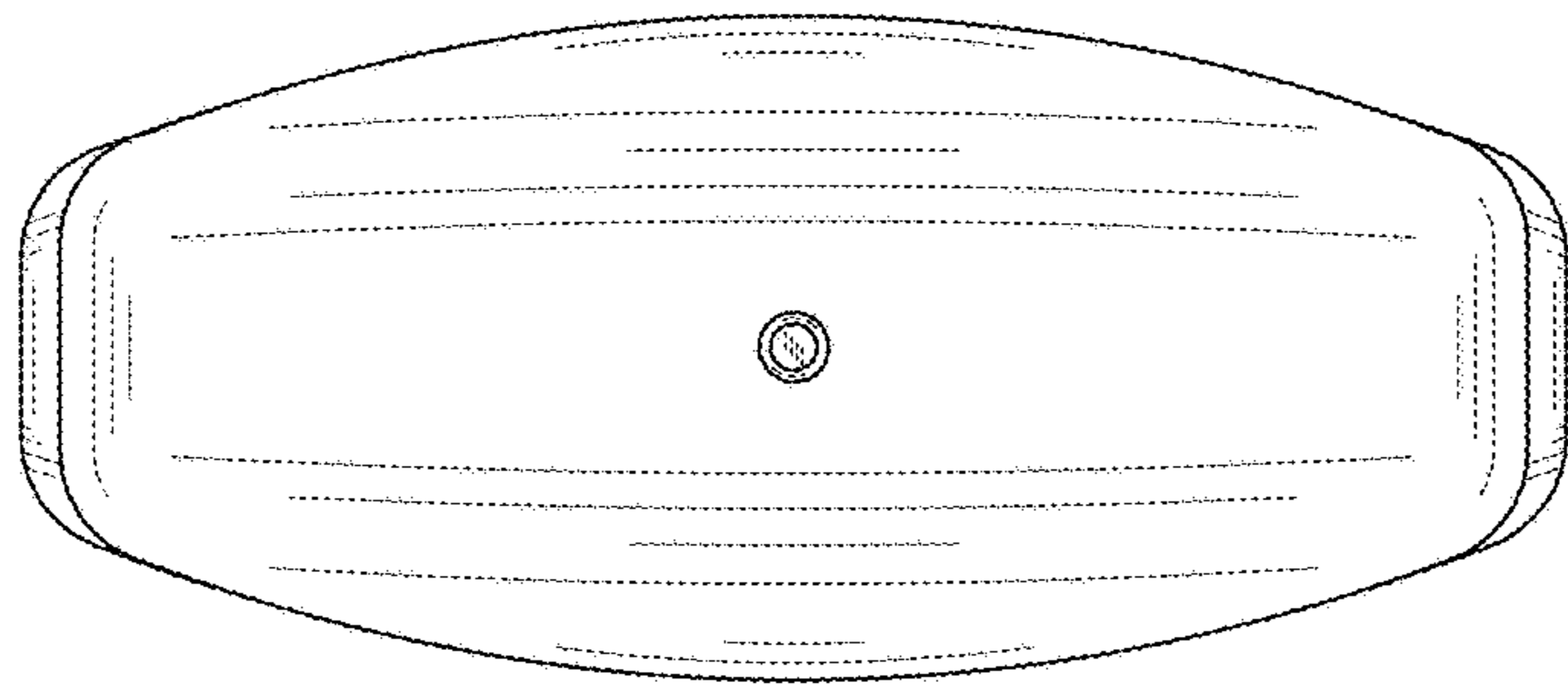


FIG. 5

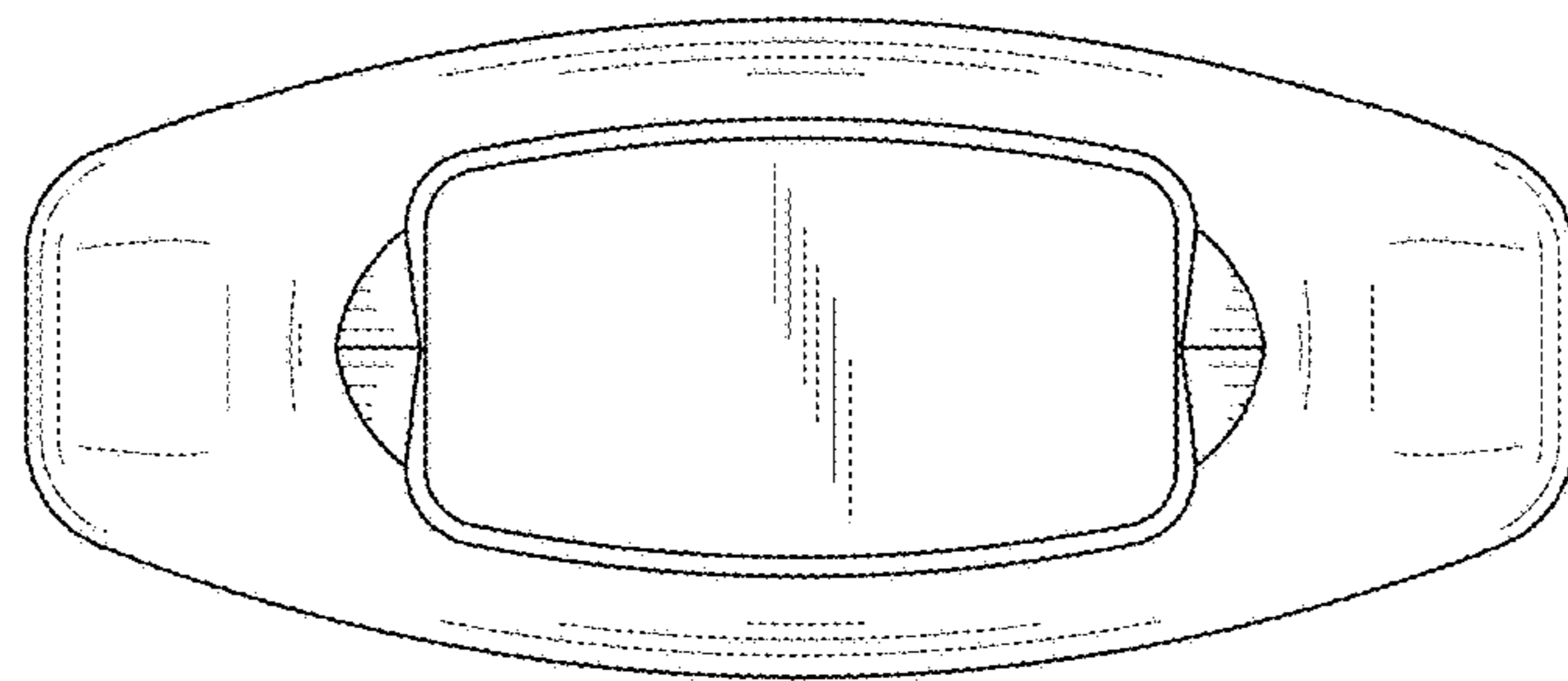


FIG. 6

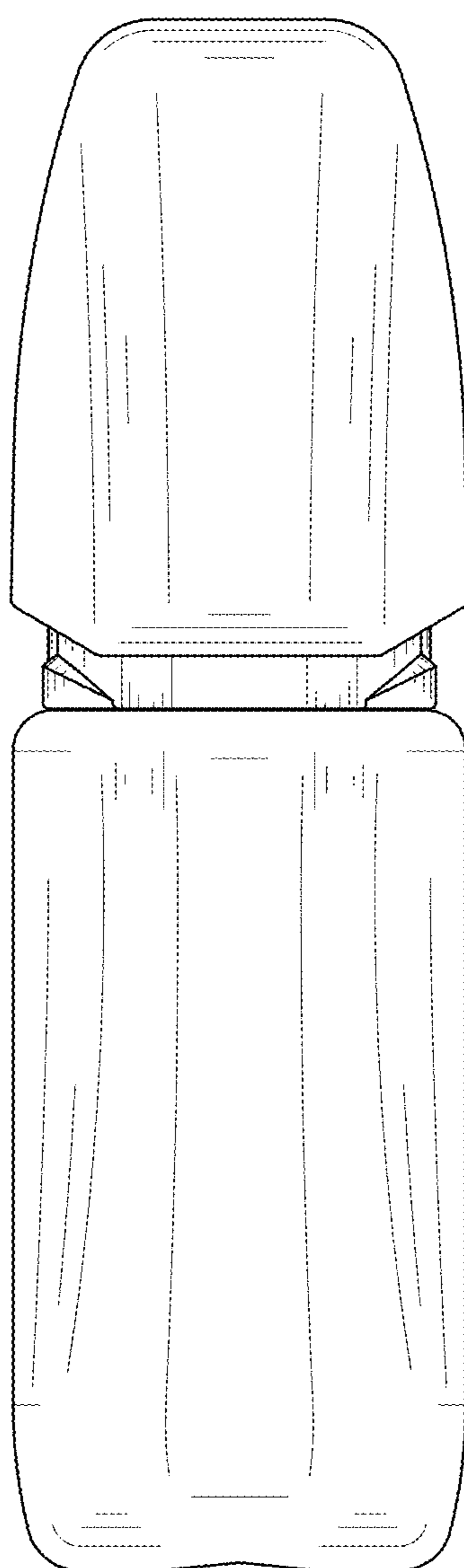


FIG. 7

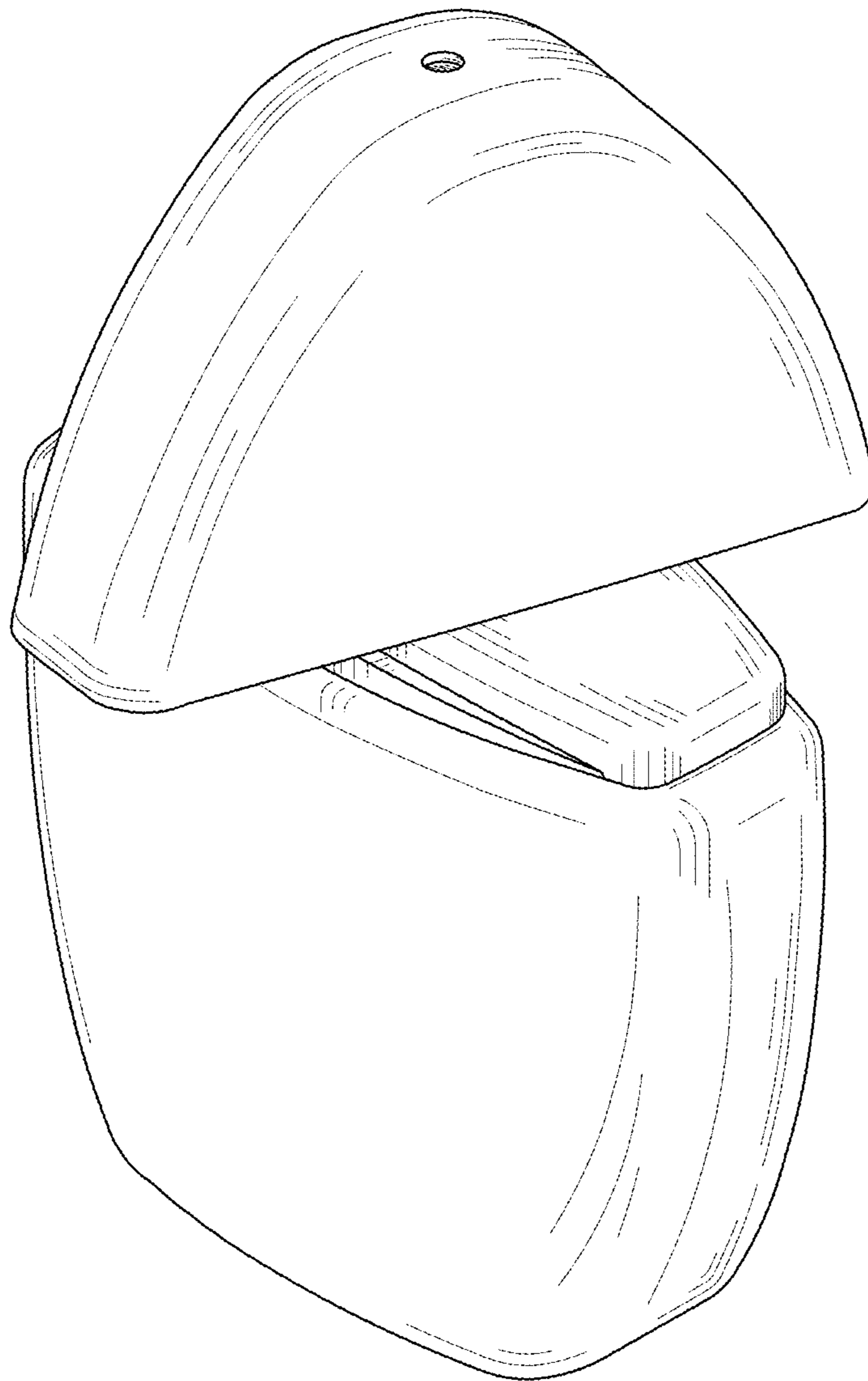


FIG. 8

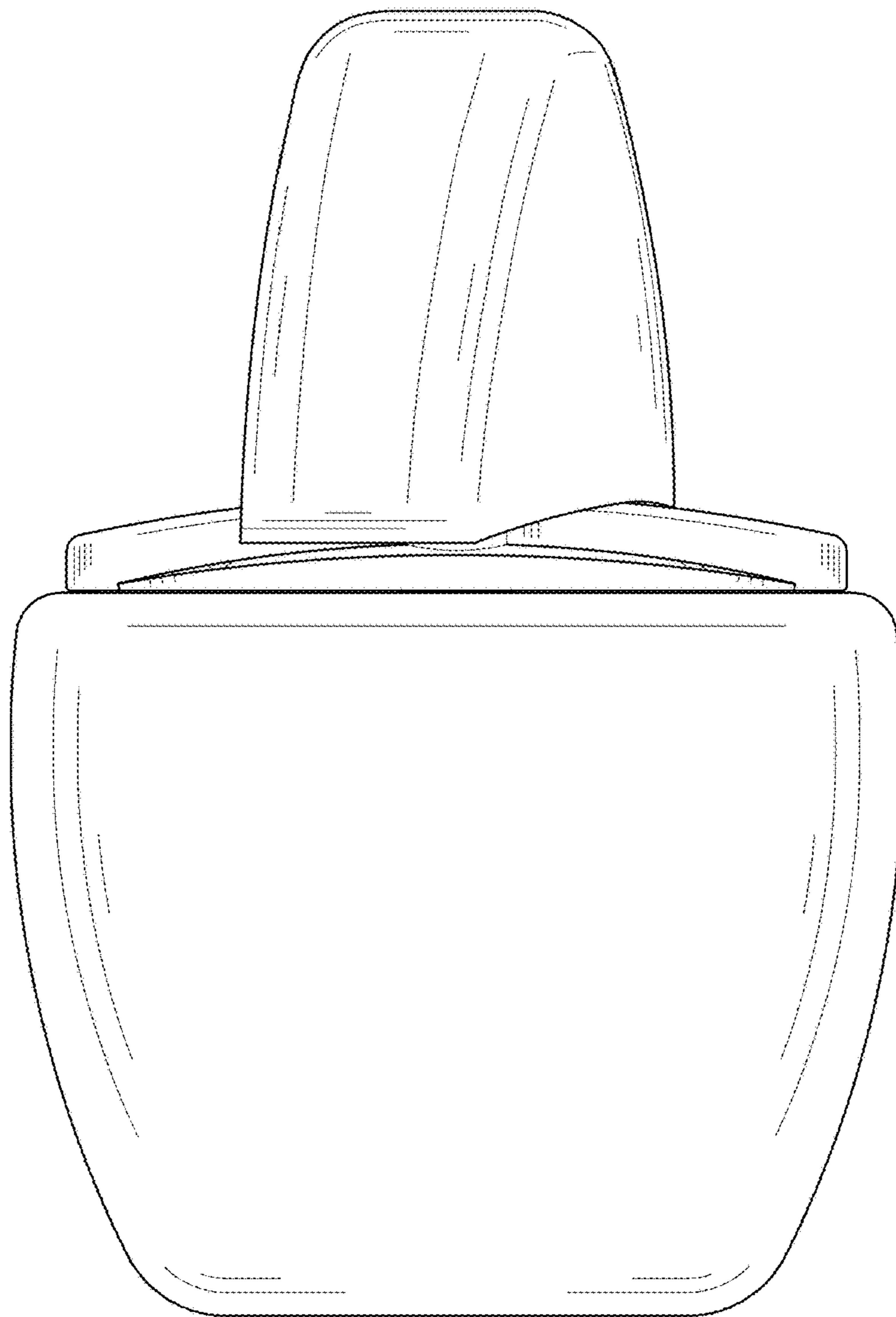


FIG. 9

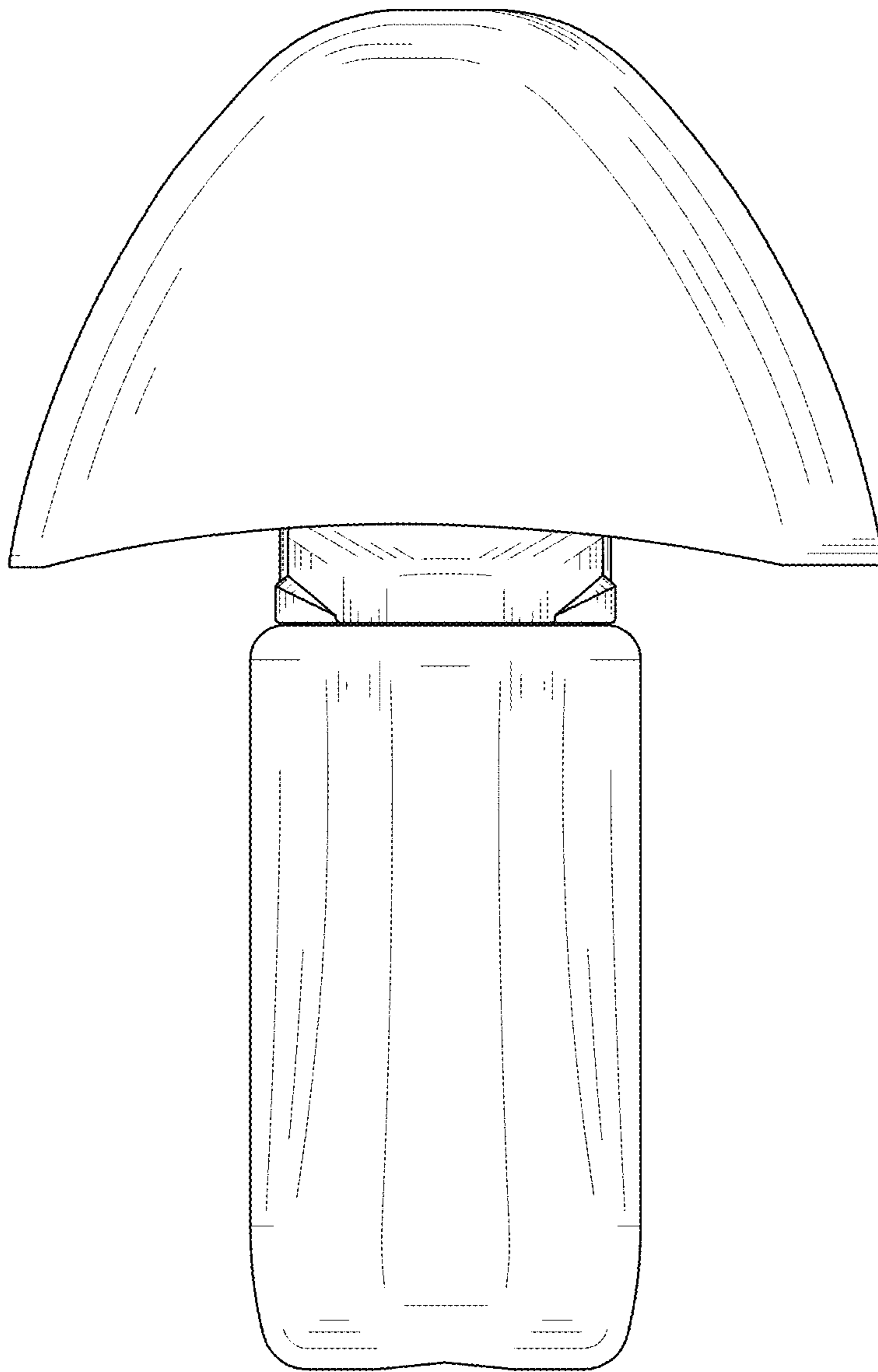


FIG. 10

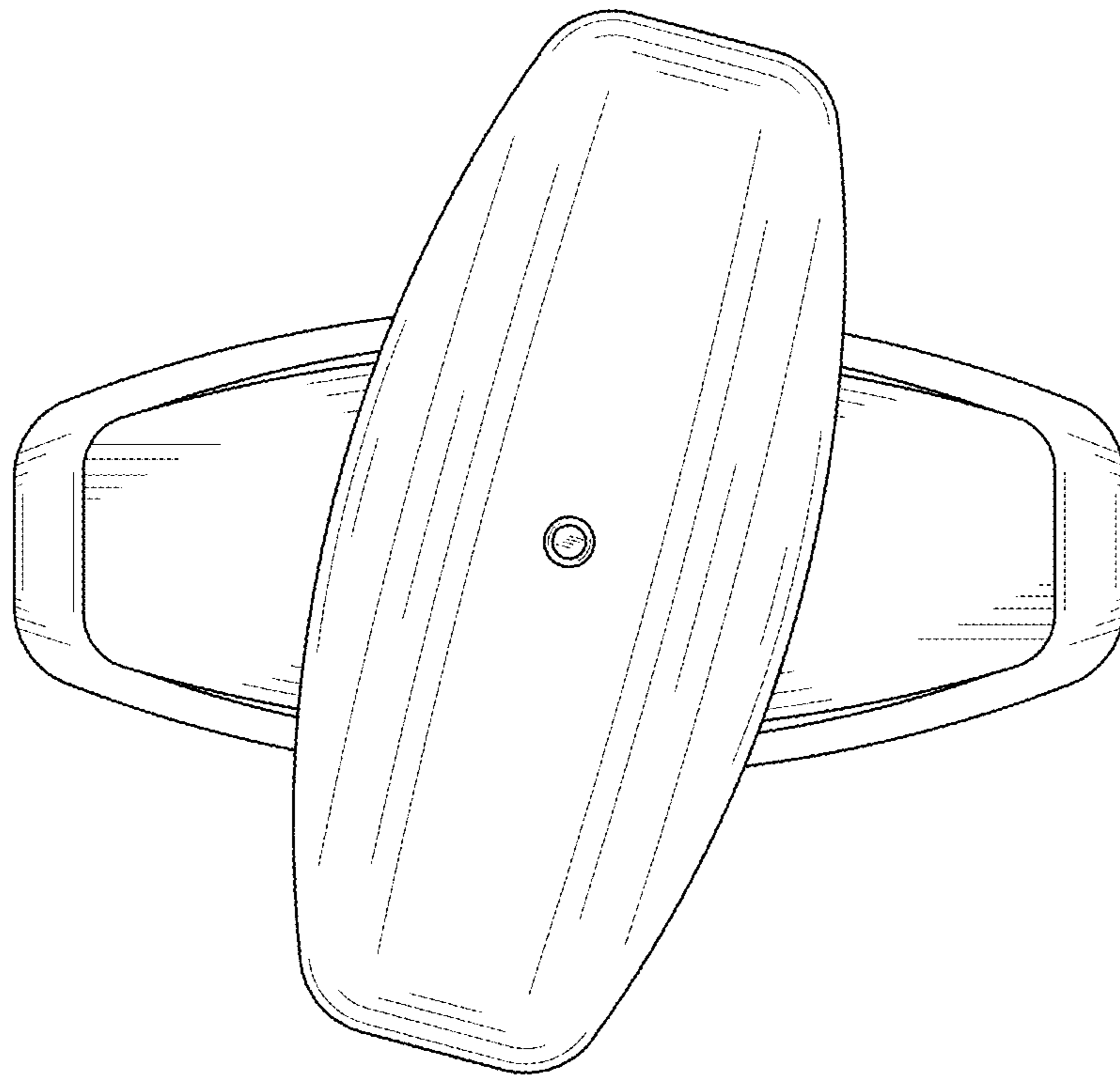


FIG. 11

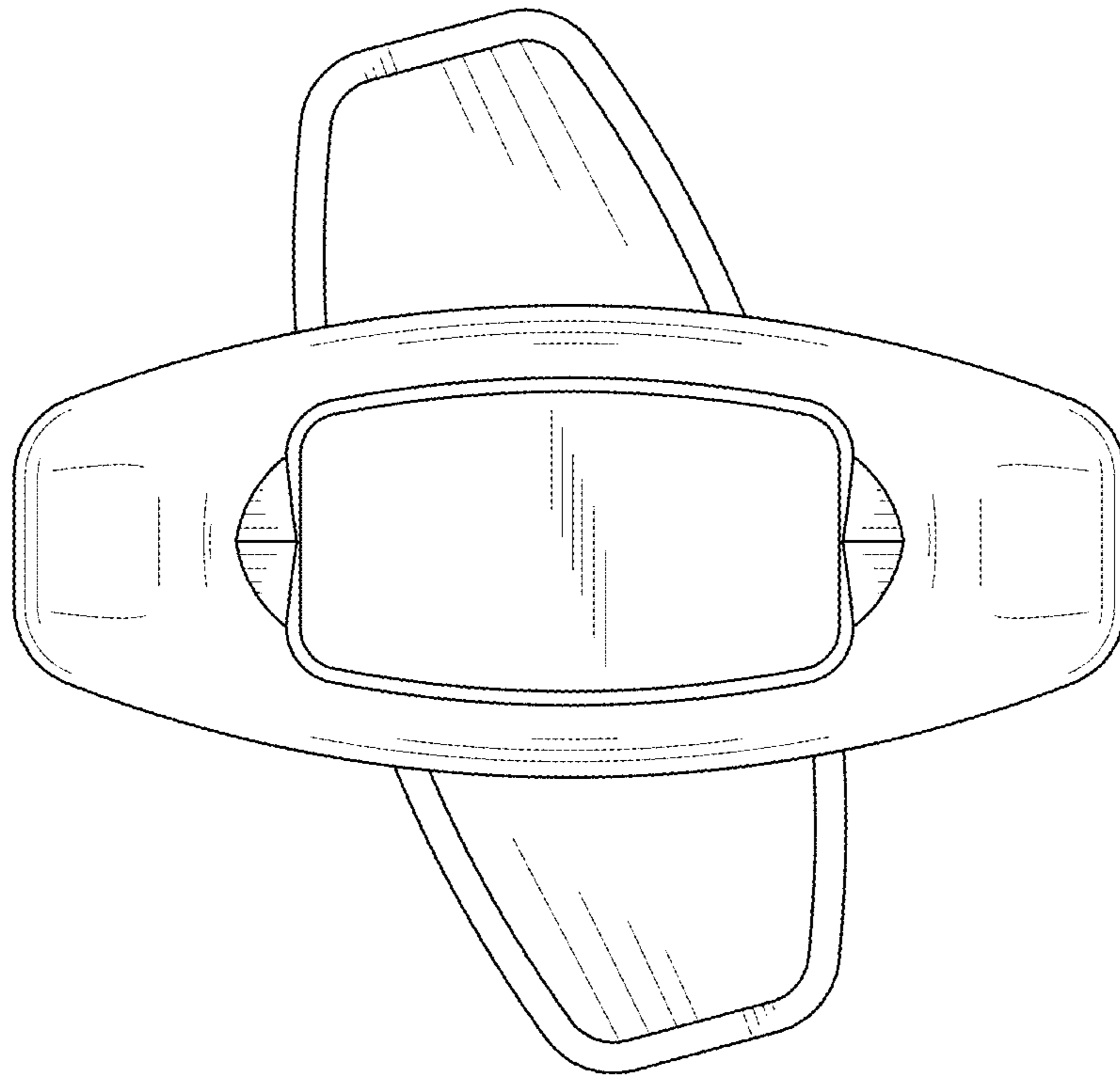


FIG. 12

